



FWCR10 - CRL ONE PIECE CORE MOUNT ROUND FRAMELESS WINDSCREEN CLAMPS

THESE FRICTION FIT CLAMPS ARE INTENDED FOR INSTALLATIONS WITHOUT HOLES THROUGH THE GLASS. THESE CLAMPS DON'T HAVE A THROUGH GLASS BOLTING OPTION AND ARE INTENDED FOR LOCATIONS WITH LESSER WIND LOADS OR SMALL LIGHT SIZES AND WHERE FALL PROTECTION TYPICALLY IS NOT REQUIRED.

Revisions By:

---



---



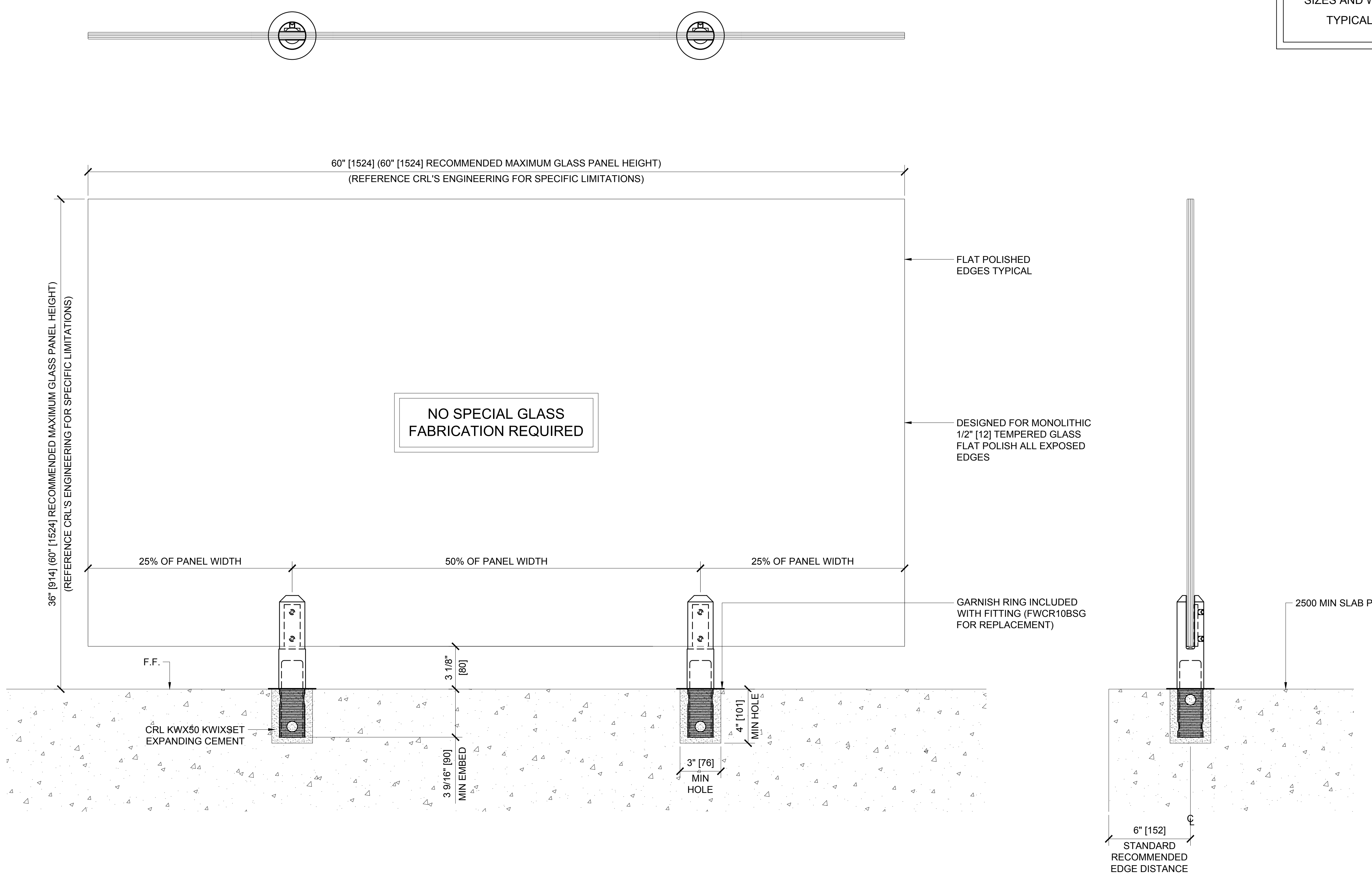
---

C.R. LAURENCE CO. ARCHITECTURAL PRODUCTS  
 2503 E. Vernon Avenue, Los Angeles, CA 90058-1897  
 PH: (800)-421-6144 FX: 800-587-7301 www.crlaurence.com

Description:  
 FSC FRAMELESS WINDSCREEN SYSTEMS

Drawn By: AAD  
 Date: 1/15/16  
 Scale: AS NOTED  
 File Name: Frameless Windscreen Systems.dwg

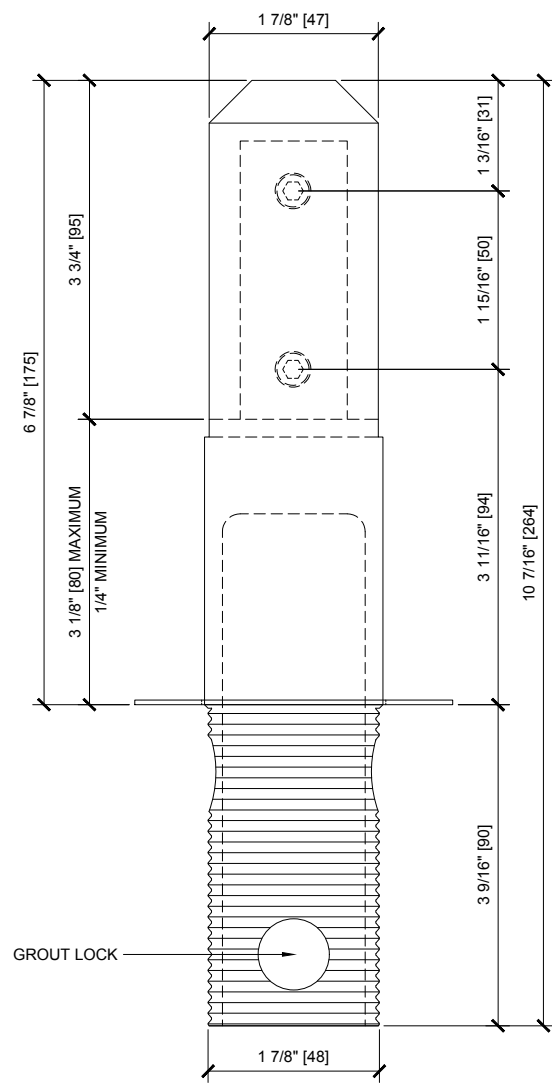
Sheet  
 1.01



① WINDSCREEN INTERIOR ELEVATION  
 1'-0"=1'-0"

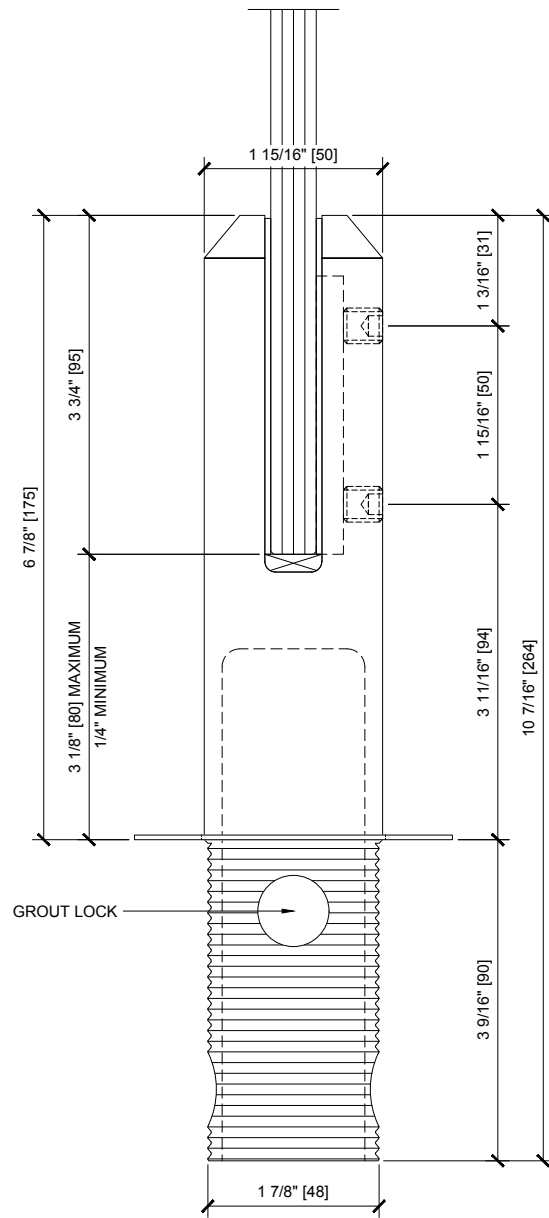
② WINDSCREEN SECTION  
 1'-0"=1'-0"

CATALOG NUMBER	FINISH
FWCR10BS	BRUSHED STAINLESS - 316L LOW CARBON S.S.
FWCR10PS	POLISHED STAINLESS - 316L LOW CARBON S.S.



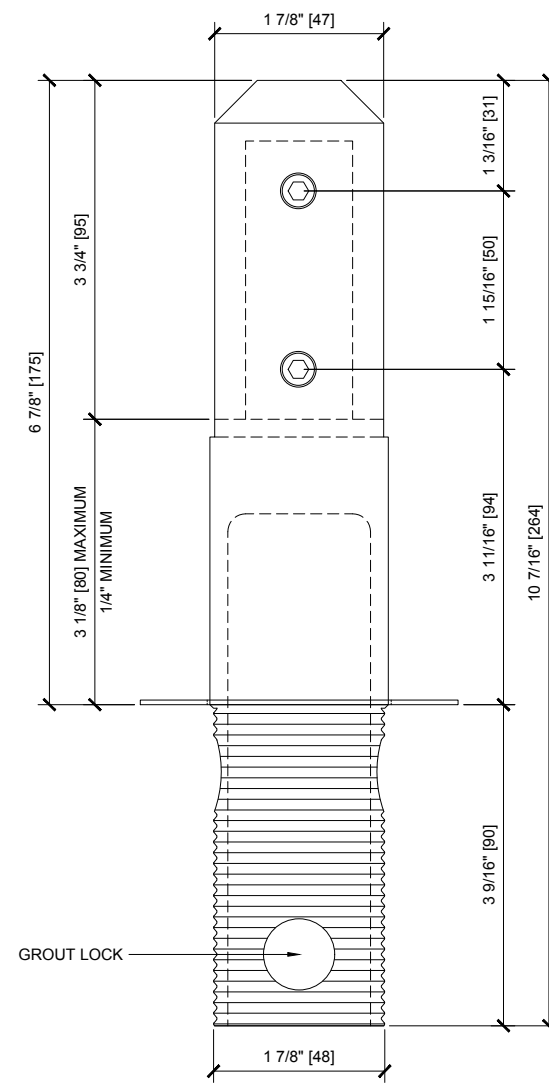
① FWCR10 FRONT VIEW

1'-0"=1'-0"



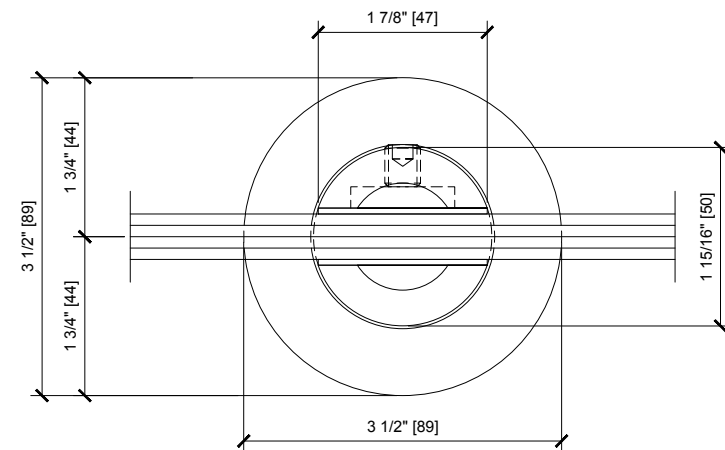
② FWCR10 SIDE VIEW

1'-0"=1'-0"



③ FWCR10 REAR VIEW

1'-0"=1'-0"



④ FWCR10 TOP VIEW

1'-0"=1'-0"

Revisions By:



Description:

FSC FRAMELESS  
WINDSCREEN SYSTEMS

Drawn By: AAD

Date: 1/15/16

Scale: AS NOTED

File Name:

Frameless Windscreen Systems.dwg

Sheet

2.01



FWCS10 - CRL ONE PIECE CORE MOUNT SQUARE FRAMELESS WINDSCREEN CLAMPS

THESE FRICTION FIT CLAMPS ARE INTENDED FOR INSTALLATIONS WITHOUT HOLES THROUGH THE GLASS. THESE CLAMPS DON'T HAVE A THROUGH GLASS BOLTING OPTION AND ARE INTENDED FOR LOCATIONS WITH LESSER WIND LOADS OR SMALL LIGHT SIZES AND WHERE FALL PROTECTION TYPICALLY IS NOT REQUIRED.

Revisions By:

---



---

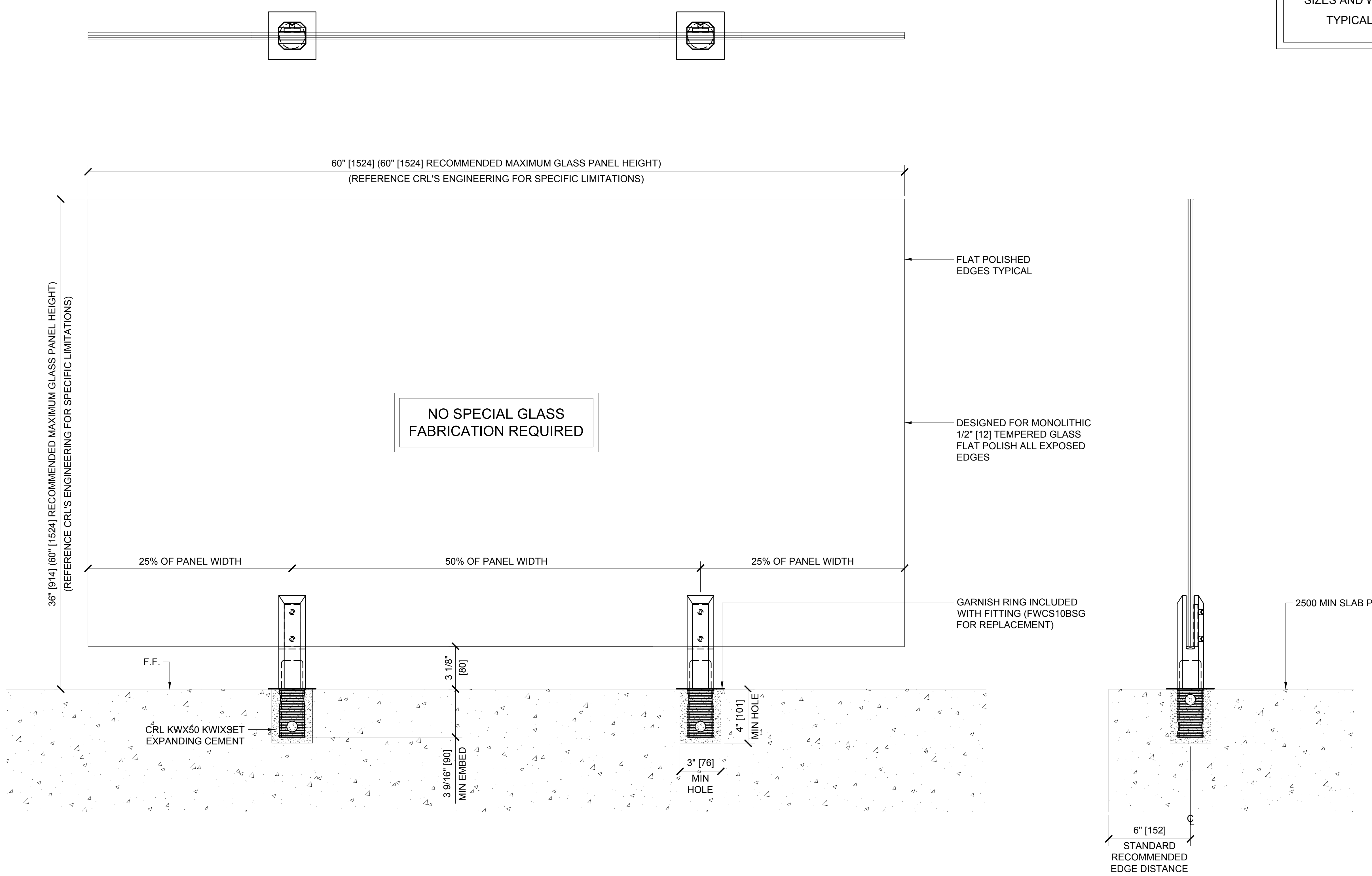


---

C.R. LAURENCE CO. ARCHITECTURAL PRODUCTS  
 2503 E. Vernon Avenue, Los Angeles, CA 90058-1897  
 PH: (800)-421-6144 FX: 800-587-7301 www.crlaurence.com

Description:  
 FSC FRAMELESS WINDSCREEN SYSTEMS

Drawn By: AAD  
 Date: 1/15/16  
 Scale: AS NOTED  
 File Name: Frameless Windscreen Systems.dwg  
 Sheet  
 1.02



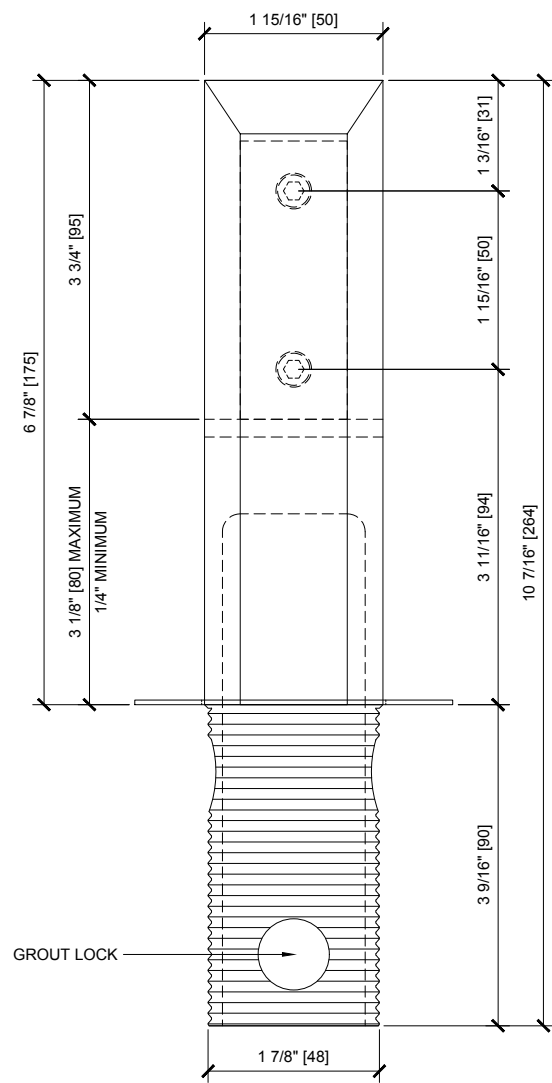
① WINDSCREEN INTERIOR ELEVATION

1'-0"=1'-0"

② WINDSCREEN SECTION

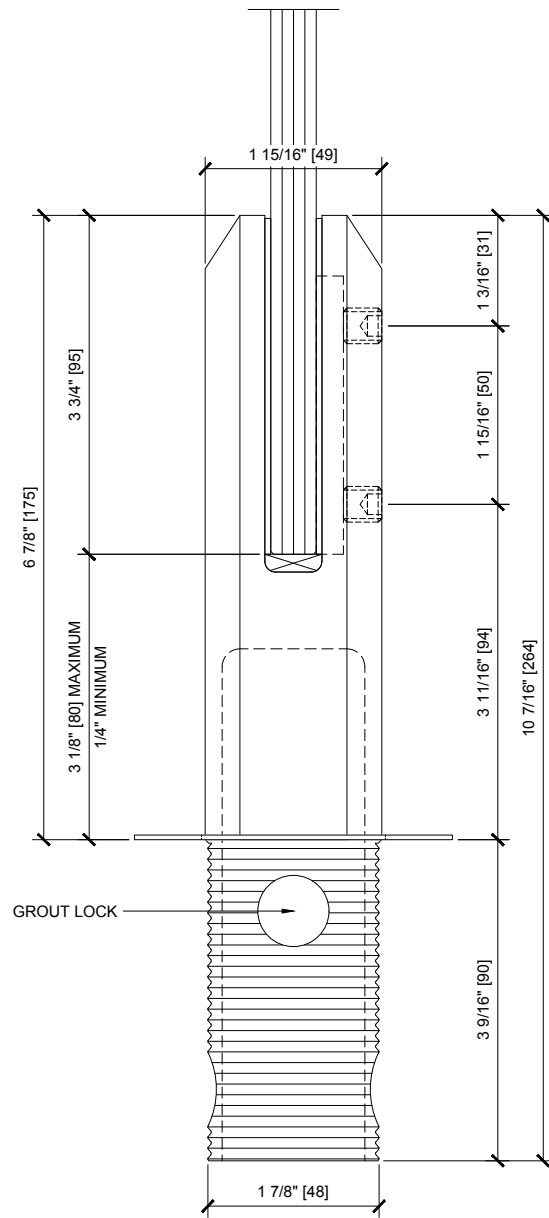
1'-0"=1'-0"

CATALOG NUMBER	FINISH
FWCS10BS	BRUSHED STAINLESS - 316L LOW CARBON S.S.
FWCS10PS	POLISHED STAINLESS - 316L LOW CARBON S.S.



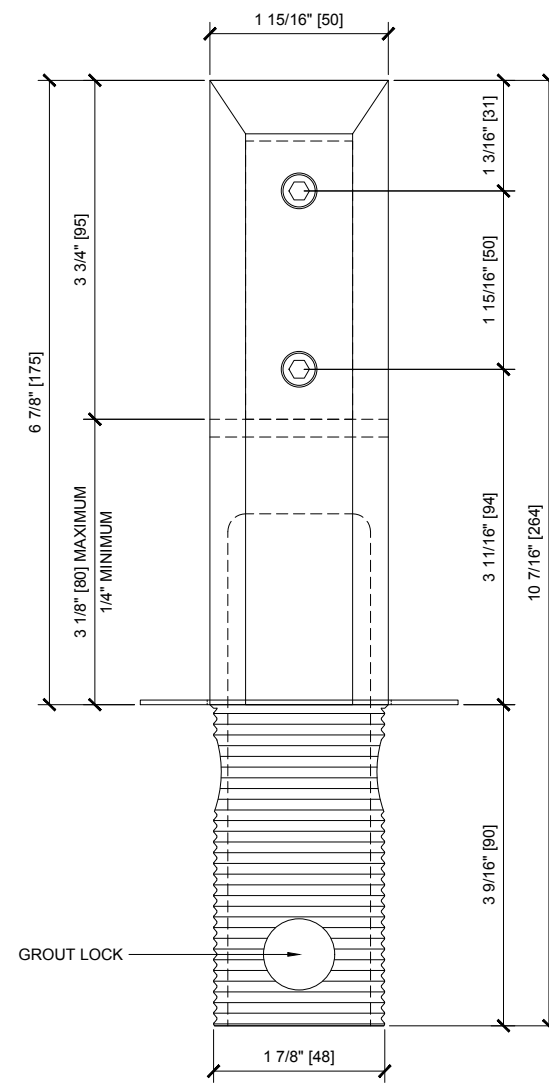
① FWCS10 FRONT VIEW

1'-0"=1'-0"



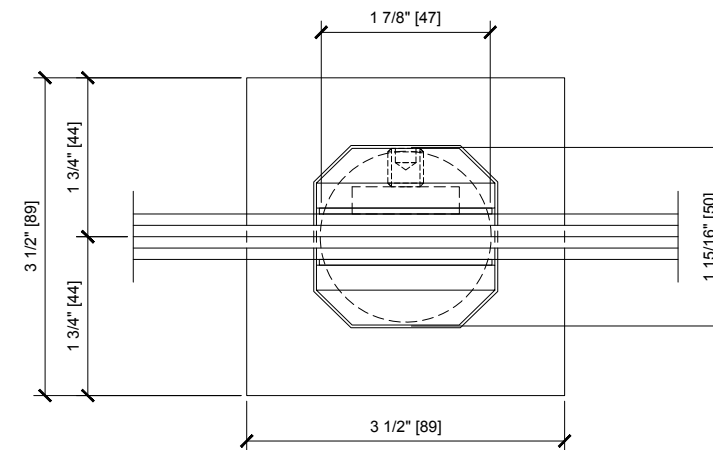
② FWCS10 SIDE VIEW

1'-0"=1'-0"



③ FWCS10 REAR VIEW

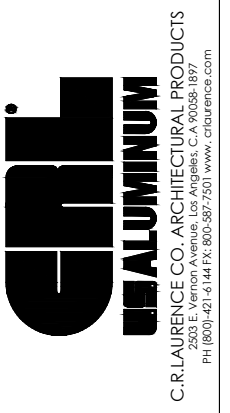
1'-0"=1'-0"



④ FWCS10 TOP VIEW

1'-0"=1'-0"

Revisions By:



Description:

FSC FRAMELESS  
WINDSCREEN SYSTEMS

Drawn By: AAD

Date: 1/15/16

Scale: AS NOTED

File Name:

Frameless Windscreen Systems.dwg

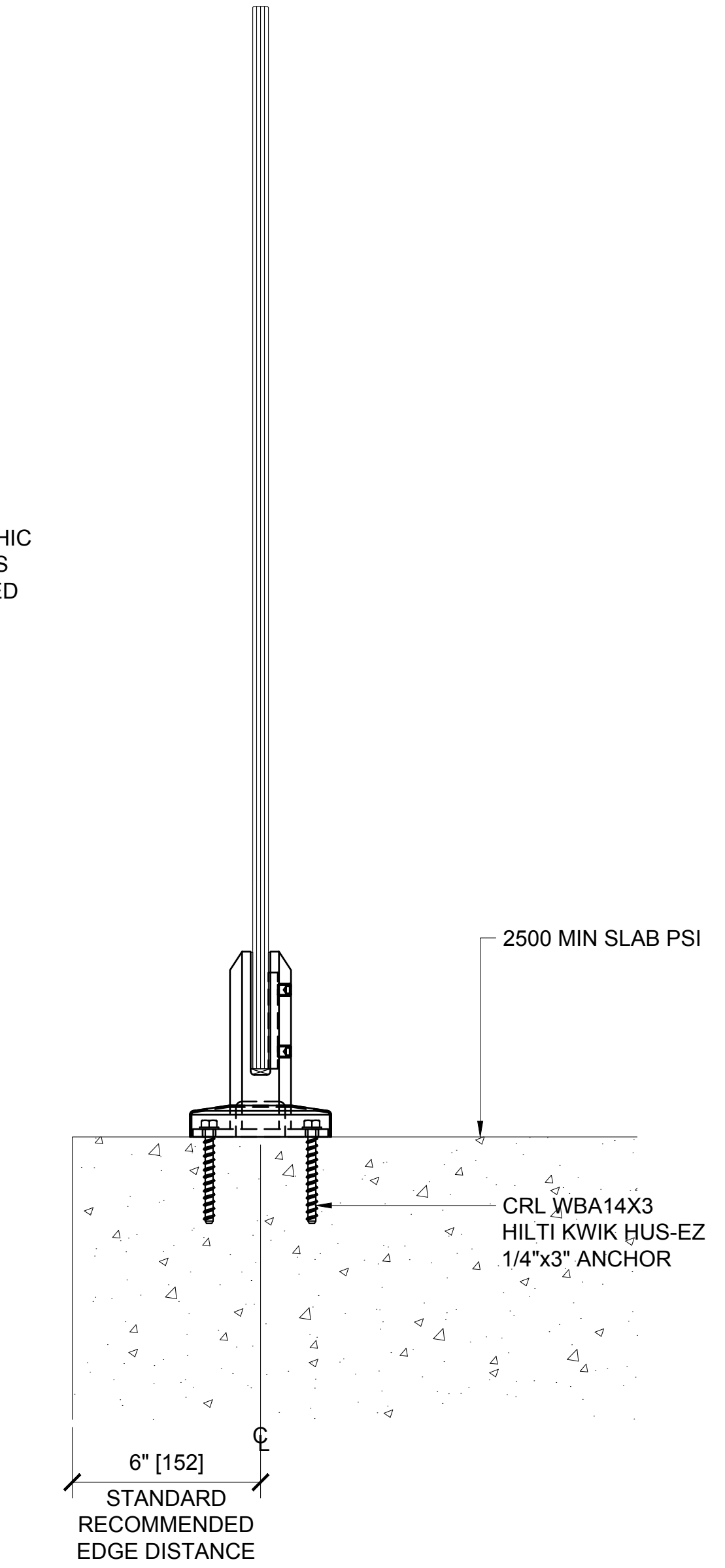
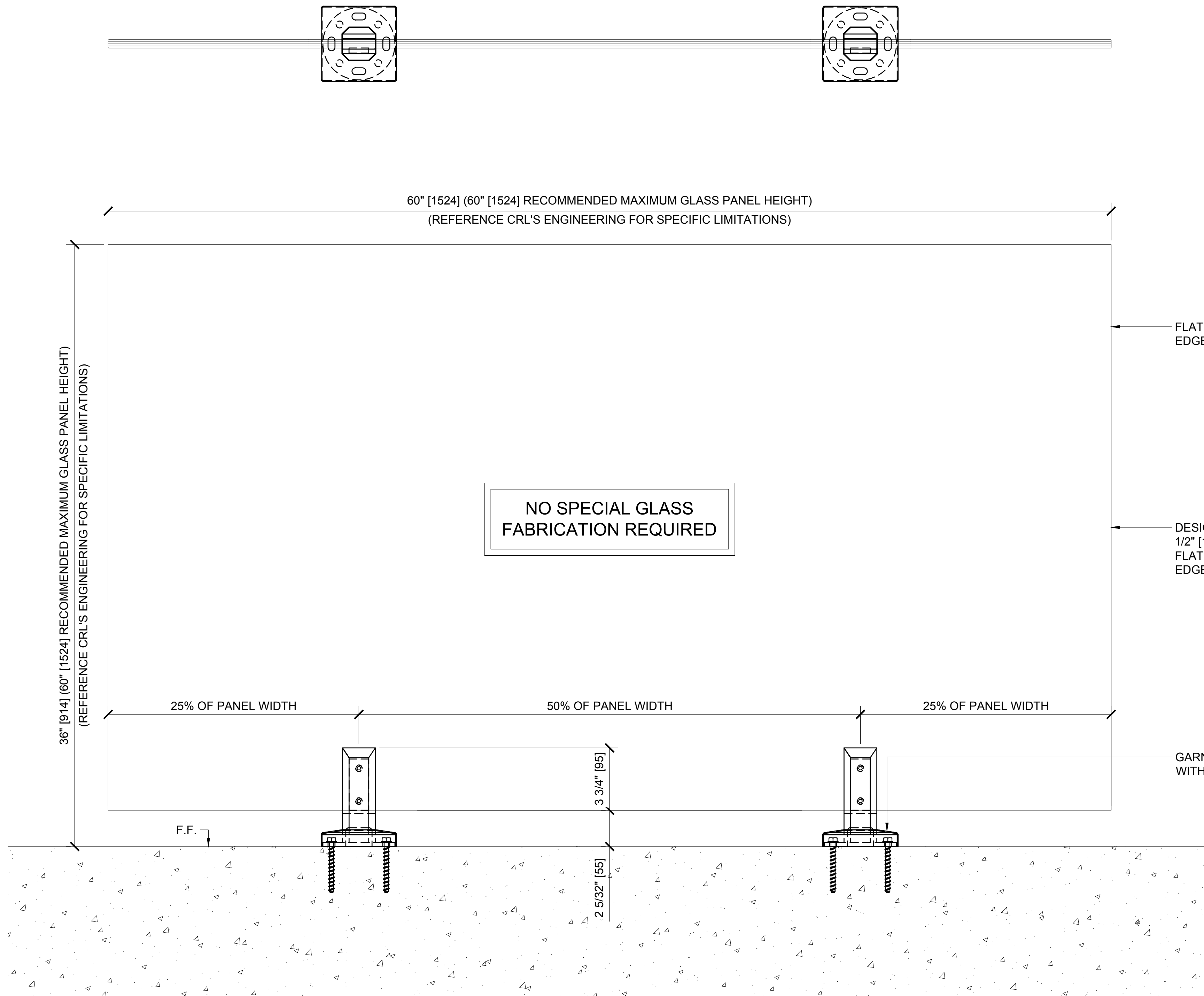
Sheet

2.02



FWCS20 - CRL ONE PIECE SURFACE MOUNT SQUARE FRAMELESS WINDSCREEN CLAMPS

THESE FRICTION FIT CLAMPS ARE INTENDED FOR INSTALLATIONS WITHOUT HOLES THROUGH THE GLASS. THESE CLAMPS DON'T HAVE A THROUGH GLASS BOLTING OPTION AND ARE INTENDED FOR LOCATIONS WITH LESSER WIND LOADS OR SMALL LIGHT SIZES AND WHERE FALL PROTECTION TYPICALLY IS NOT REQUIRED.



① WINDSCREEN INTERIOR ELEVATION

1'-0"=1'-0"

② WINDSCREEN SECTION

1'-0"=1'-0"

CATALOG NUMBER	FINISH
FWCS20BS	BRUSHED STAINLESS - 316L LOW CARBON S.S.
FWCS20PS	POLISHED STAINLESS - 316L LOW CARBON S.S.

Revisions By:

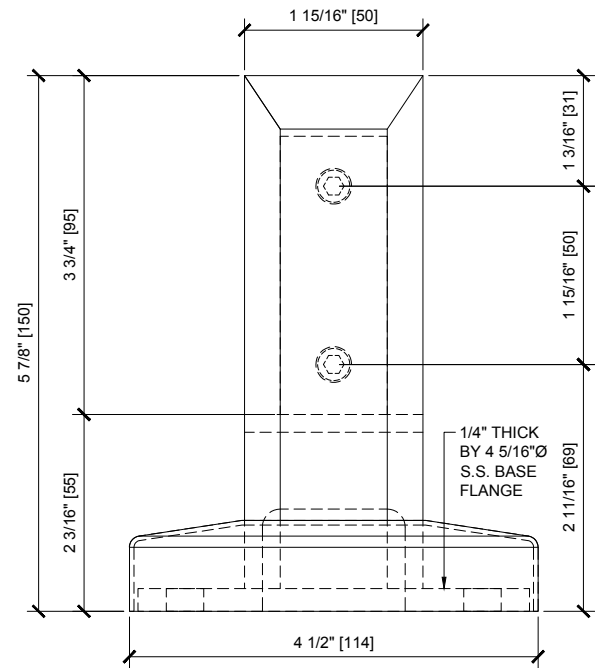
C.R. LAURENCE CO. ARCHITECTURAL PRODUCTS  
2503 E. Vernon Avenue, Los Angeles, CA 90058-1897  
PH: (800)-421-6144 FX: 800-587-7301 www.crlaurence.com

Description:

FSC FRAMELESS WINDSCREEN SYSTEMS

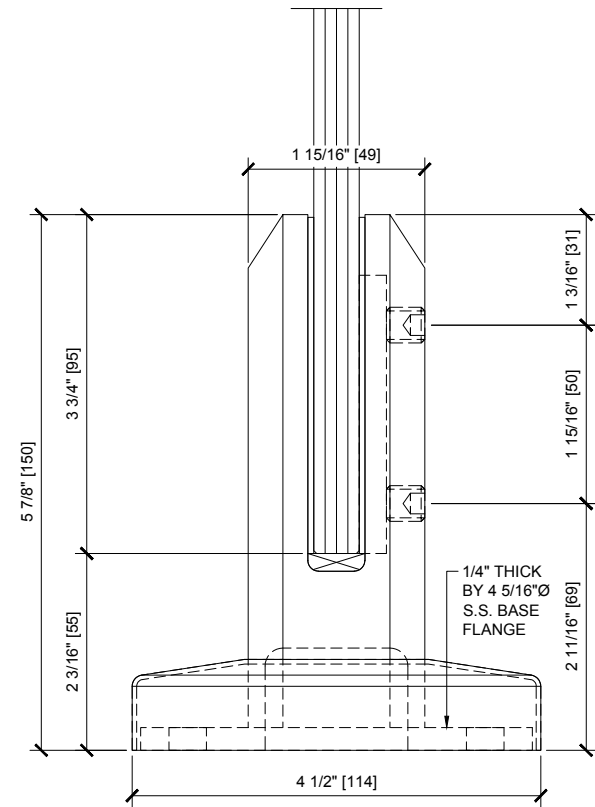
Drawn By: AAD  
Date: 1/15/16  
Scale: AS NOTED  
File Name: Frameless Windscreen Systems.dwg  
Sheet

1.03



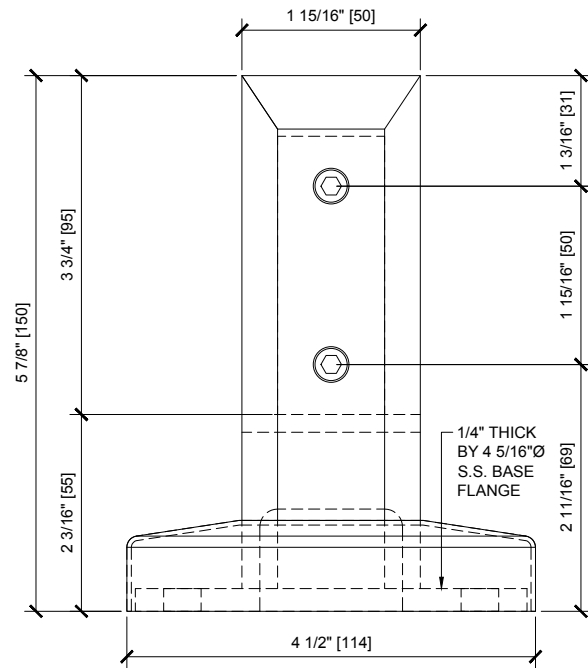
① FWCS20 FRONT VIEW

1'-0"=1'-0"



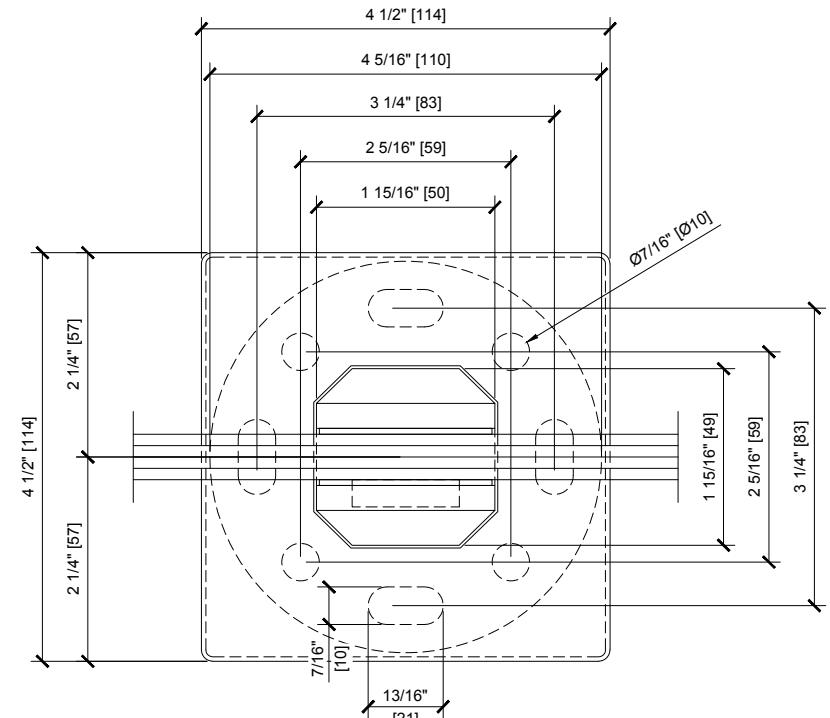
② FWCS20 SIDE VIEW

1'-0"=1'-0"



③ FWCS20 REAR VIEW

1'-0"=1'-0"



④ FWCS20 TOP VIEW

1'-0"=1'-0"

Description:

FSC FRAMELESS  
 WINDSCREEN SYSTEMS

Drawn By: AAD

Date: 1/15/16

Scale: AS NOTED

File Name:

Frameless Windscreen Systems.dwg

Sheet



FWCR20 - CRL ONE PIECE SURFACE MOUNT ROUND FRAMELESS WINDSCREEN CLAMPS

THESE FRICTION FIT CLAMPS ARE INTENDED FOR INSTALLATIONS WITHOUT HOLES THROUGH THE GLASS. THESE CLAMPS DON'T HAVE A THROUGH GLASS BOLTING OPTION AND ARE INTENDED FOR LOCATIONS WITH LESSER WIND LOADS OR SMALL LIGHT SIZES AND WHERE FALL PROTECTION TYPICALLY IS NOT REQUIRED.

Revisions By:

---



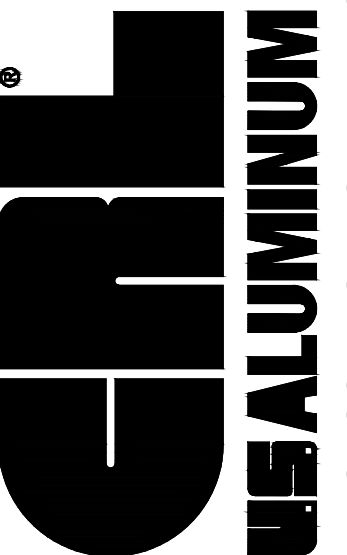
---



---



---



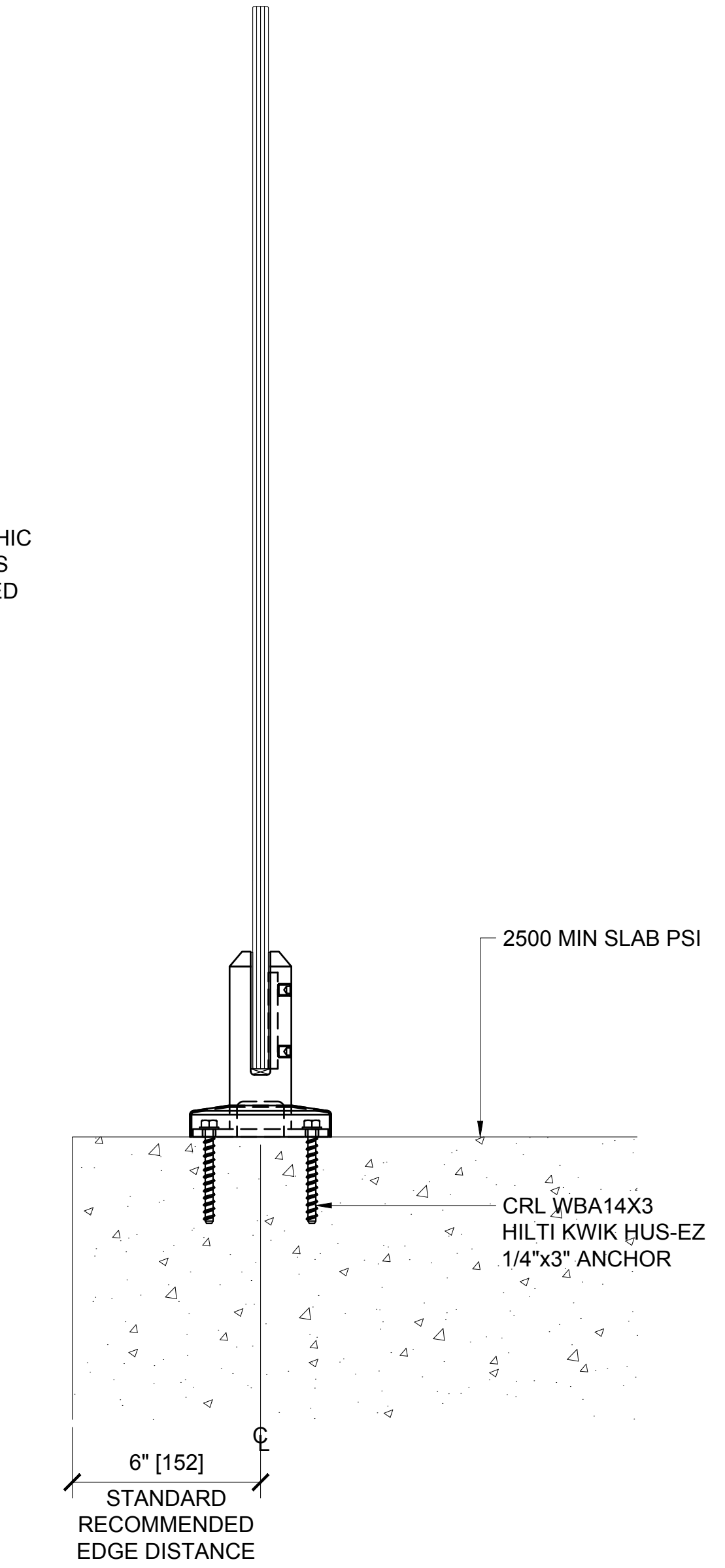
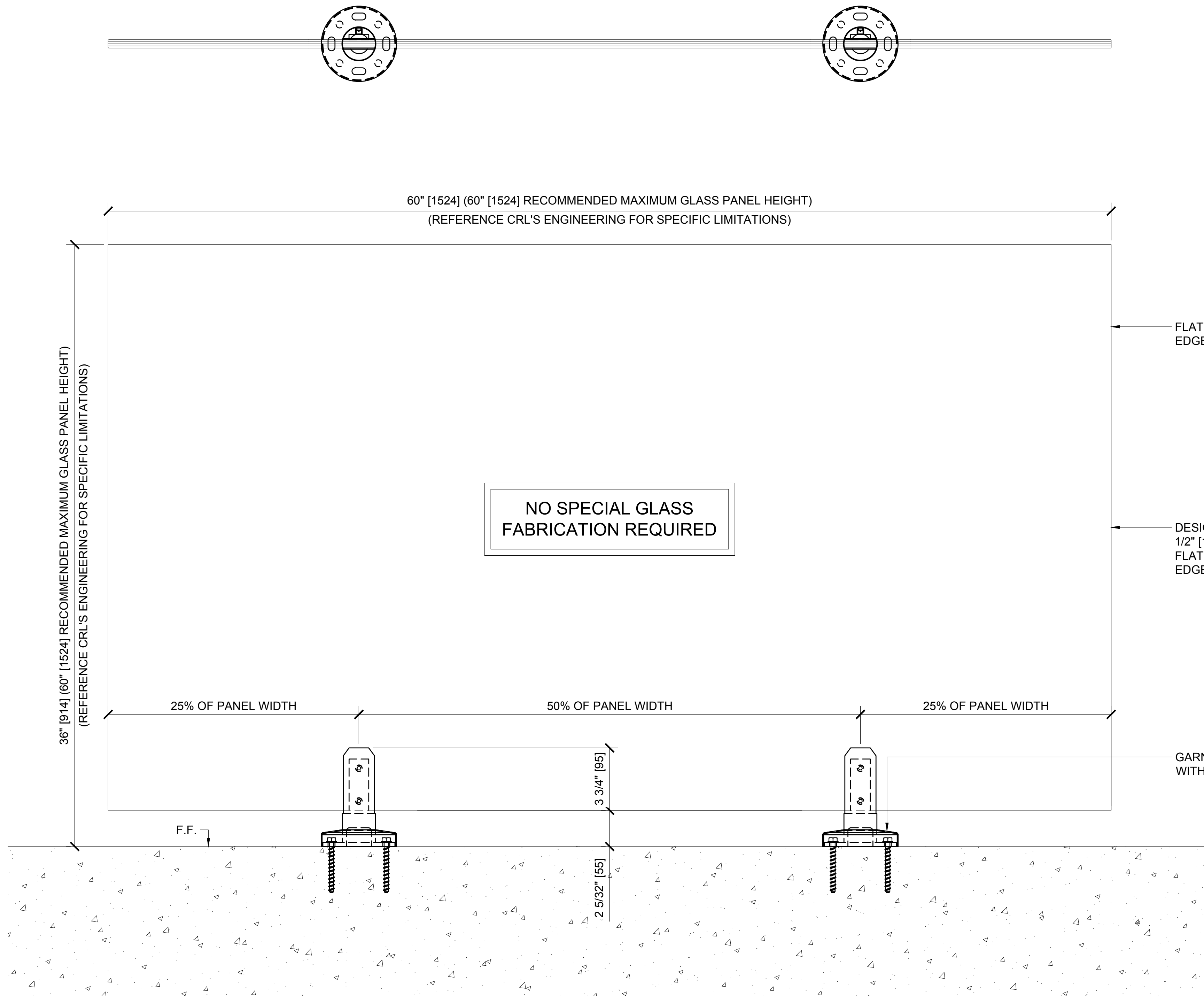
C.R. LAURENCE CO. ARCHITECTURAL PRODUCTS  
 2503 E. Vernon Avenue, Los Angeles, CA 90058-1897  
 PH: (800)-421-6144 FX: 800-587-7301 www.crlaurence.com

Description:

FSC FRAMELESS WINDSCREEN SYSTEMS

Drawn By: AAD  
 Date: 1/15/16  
 Scale: AS NOTED  
 File Name: Frameless Windscreen Systems.dwg

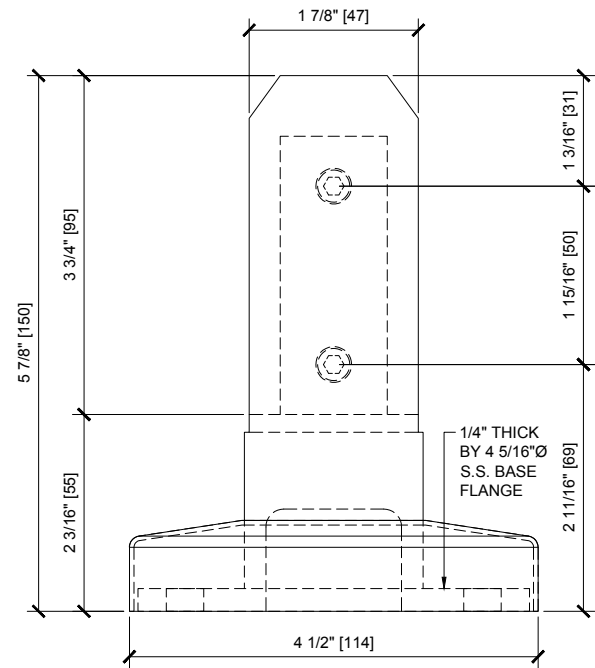
Sheet



① WINDSCREEN INTERIOR ELEVATION  
 1'-0"=1'-0"

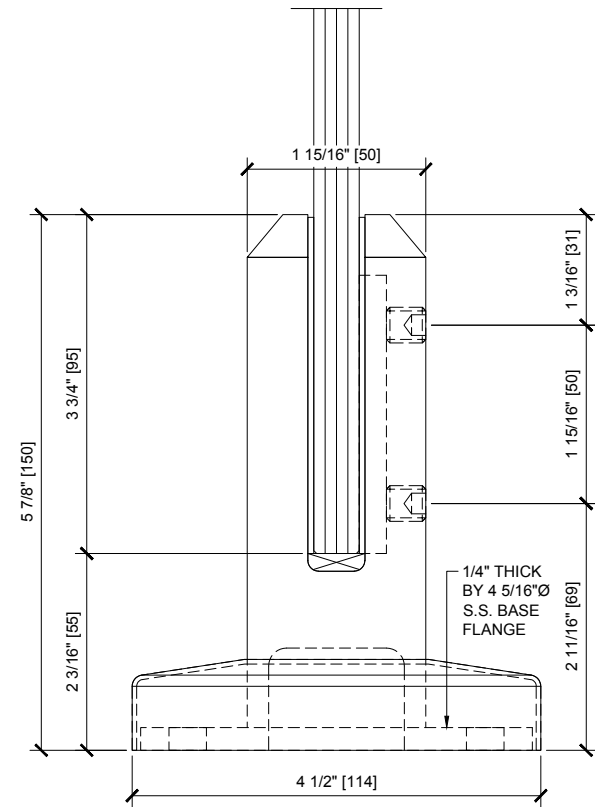
② WINDSCREEN SECTION  
 1'-0"=1'-0"

CATALOG NUMBER	FINISH
FWCR20BS	BRUSHED STAINLESS - 316L LOW CARBON S.S.
FWCR20PS	POLISHED STAINLESS - 316L LOW CARBON S.S.



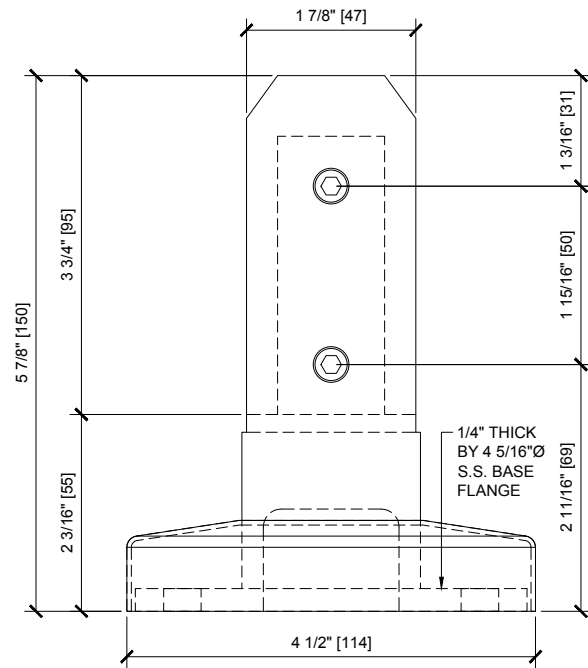
① FWCR20 FRONT VIEW

1'-0"=1'-0"



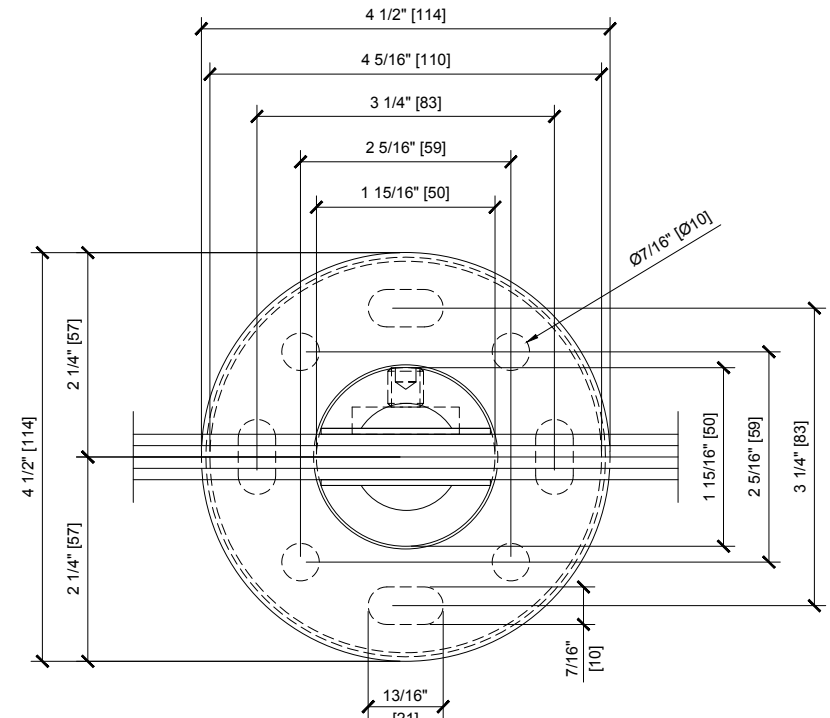
② FWCR20 SIDE VIEW

1'-0"=1'-0"



③ FWCR20 REAR VIEW

1'-0"=1'-0"



④ FWCR20 TOP VIEW

1'-0"=1'-0"

Description:

FSC FRAMELESS  
WINDSCREEN SYSTEMS

Drawn By: AAD

Date: 1/15/16

Scale: AS NOTED

File Name:

Frameless Windscreen Systems.dwg

Sheet

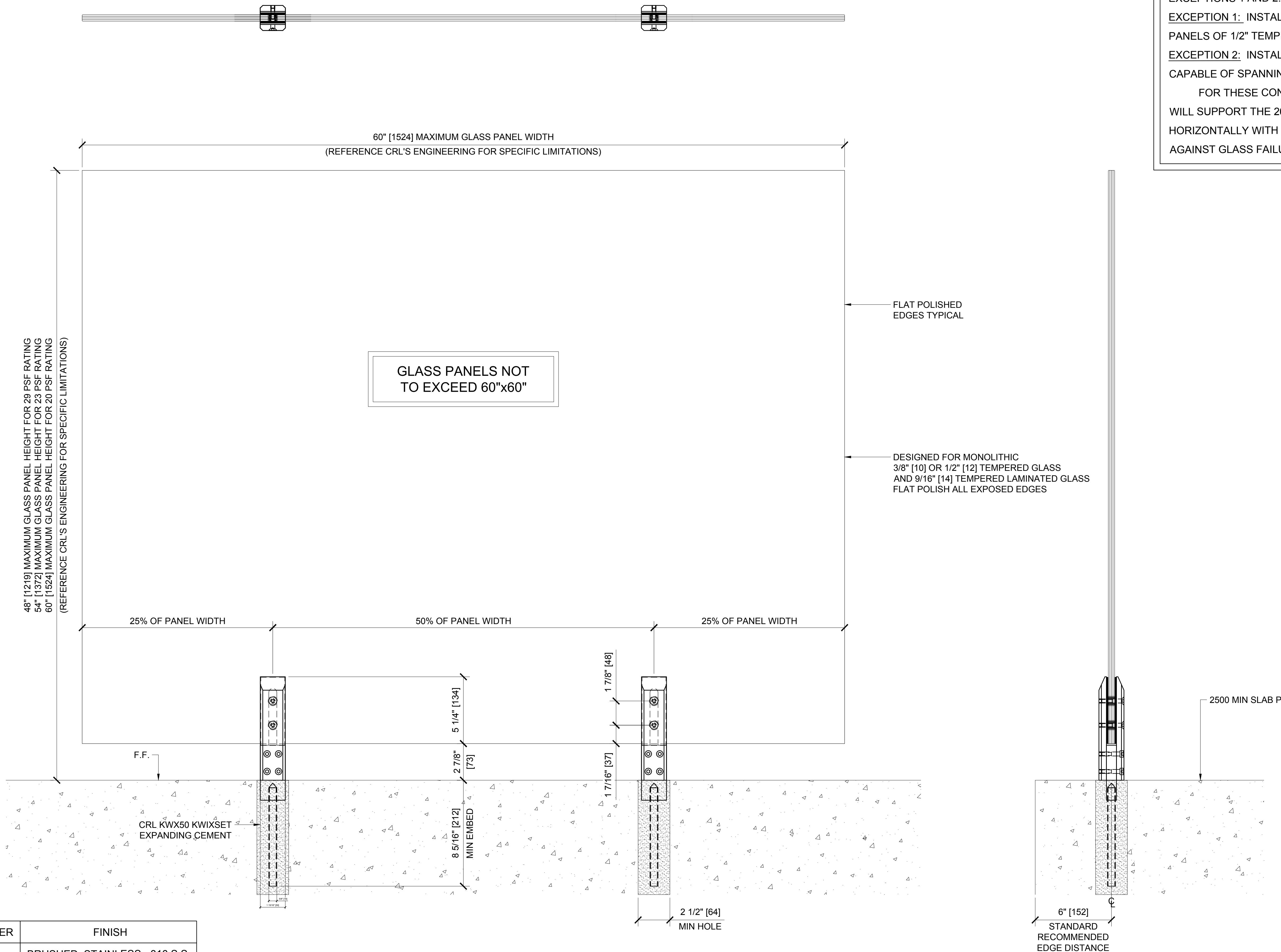




AFWC3 / AFWC8 - CRL THREE-PIECE CORE MOUNT FRAMELESS WINDSCREEN CLAMPS

Revisions By:

THESE FRAMELESS WINDSCREEN CLAMPS MAY BE USED FOR FALL PROTECTION IN ONE AND TWO-FAMILY RESIDENTIAL OCCUPANCIES AND LOCATIONS INCLUDED IN IBC 1607.8.1 EXCEPTIONS 1 AND 2.  
 EXCEPTION 1: INSTALLED WITH A MINIMUM OF 3 PANELS OF 1/2" TEMPERED GLASS.  
 EXCEPTION 2: INSTALLED WITH A TOP RAIL CAPABLE OF SPANNING 10 FEET.  
 FOR THESE CONDITIONS, THE SYSTEM WILL SUPPORT THE 200 LB LOAD VERTICALLY OR HORIZONTALLY WITH A SAFETY FACTOR OF 4.0 AGAINST GLASS FAILURE.



CATALOG NUMBER	FINISH
AFWC3	BRUSHED STAINLESS - 316 S.S.
AFWC8	POLISHED STAINLESS - 316 S.S.

① WINDSCREEN INTERIOR ELEVATION  
1'-0"=1'-0"

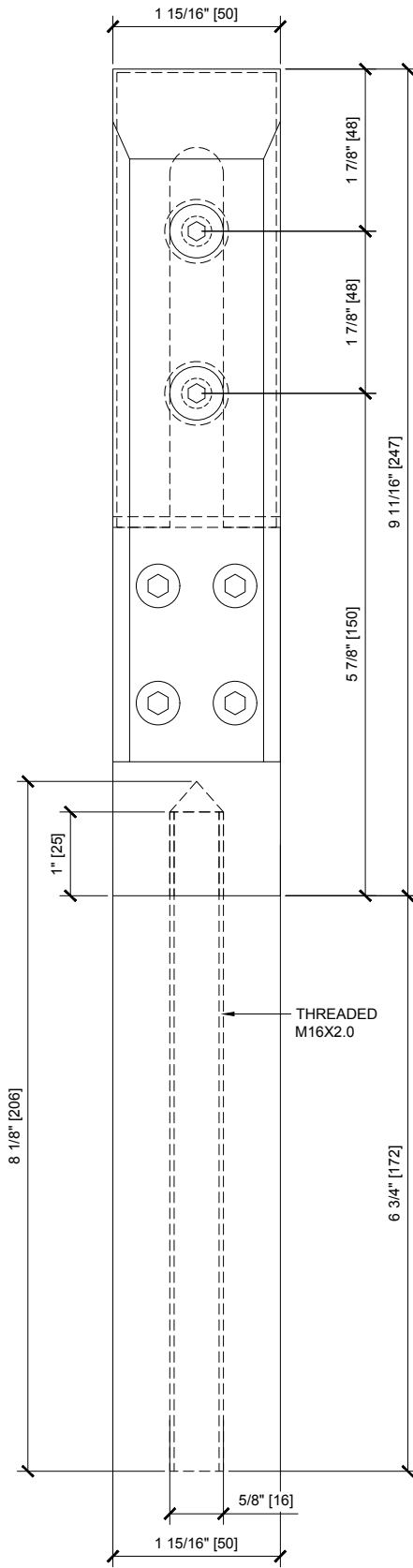
② WINDSCREEN SECTION  
1'-0"=1'-0"

Description:

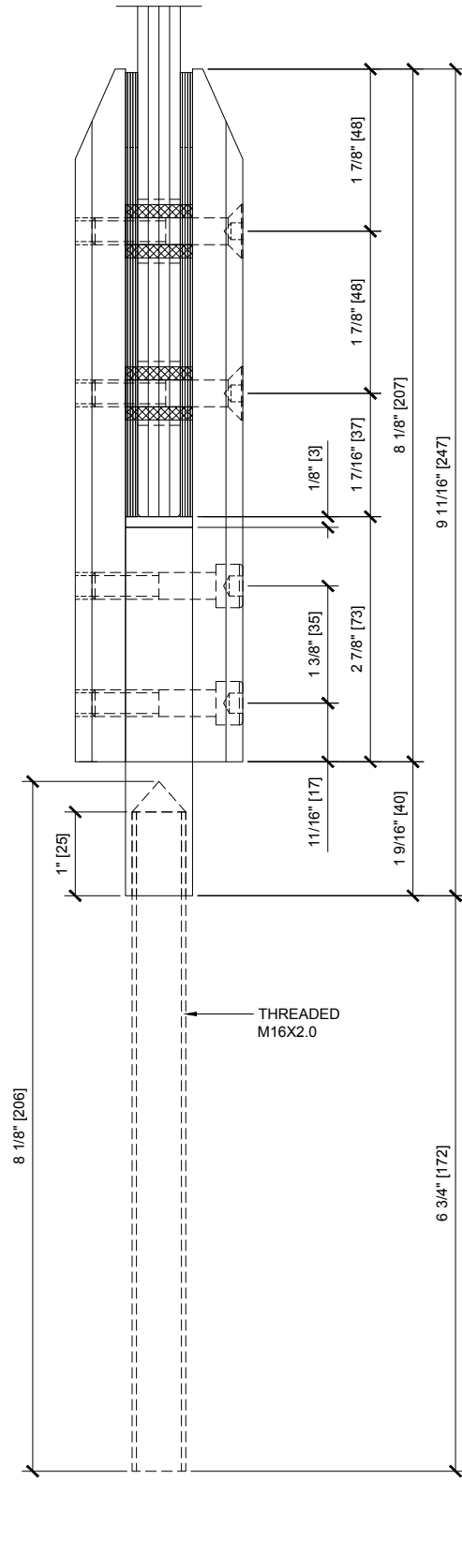
FSC FRAMELESS WINDSCREEN SYSTEMS

Drawn By: AAD  
 Date: 1/15/16  
 Scale: AS NOTED  
 File Name: Frameless Windscreen Systems.dwg

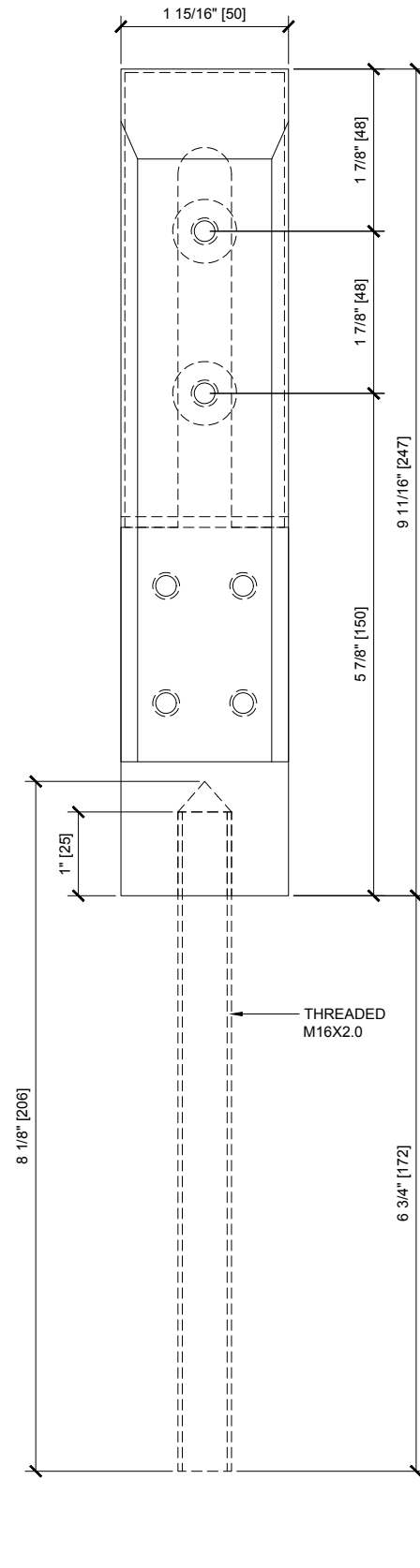
Sheet



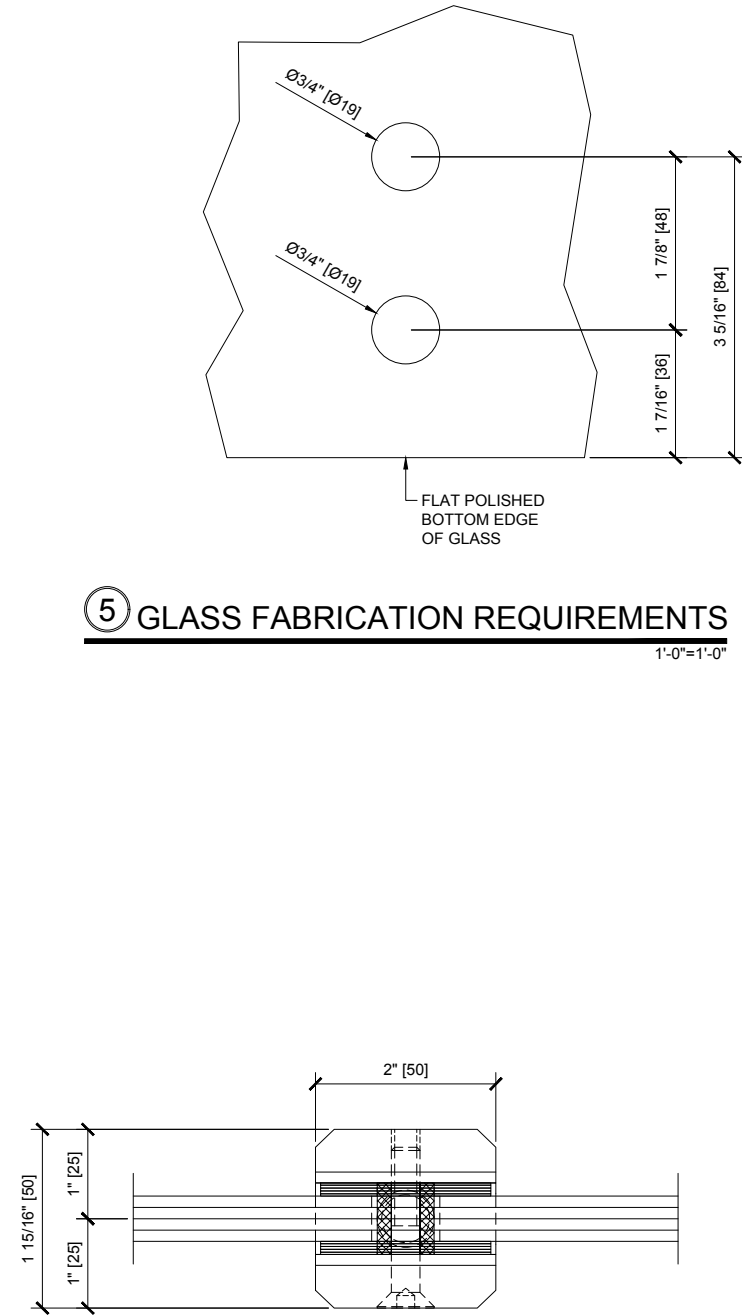
**① AFWC3 / AFWC8 FRONT VIEW**  
 1'-0"=1'-0"



**② AFWC3 / AFWC8 SIDE VIEW**  
 1'-0"=1'-0"



**③ AFWC3 / AFWC8 REAR VIEW**  
 1'-0"=1'-0"



**④ AFWC3 / AFWC8 TOP VIEW**  
 1'-0"=1'-0"

Discription:

FSC FRAMELESS  
 WINDSCREEN SYSTEMS

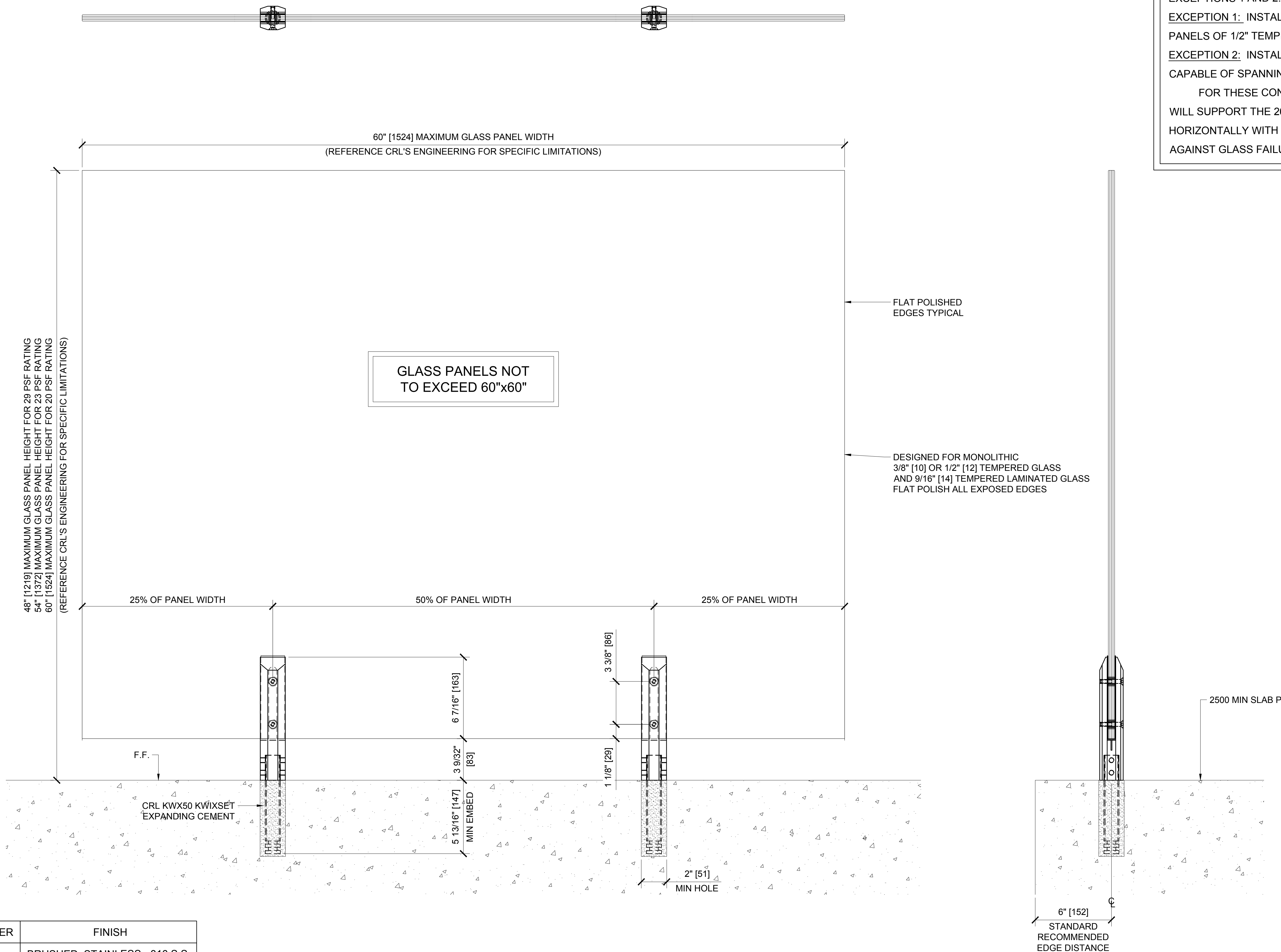
Drawn By: AAD  
 Date: 1/15/16  
 Scale: AS NOTED  
 File Name:  
 Frameless Windscreen Systems.dwg  
 Sheet



AFWC1 / AFWC6 - CRL ONE-PIECE CORE MOUNT FRAMELESS WINDSCREEN CLAMPS

Revisions By:

THESE FRAMELESS WINDSCREEN CLAMPS MAY BE USED FOR FALL PROTECTION IN ONE AND TWO-FAMILY RESIDENTIAL OCCUPANCIES AND LOCATIONS INCLUDED IN IBC 1607.8.1 EXCEPTIONS 1 AND 2.  
 EXCEPTION 1: INSTALLED WITH A MINIMUM OF 3 PANELS OF 1/2" TEMPERED GLASS.  
 EXCEPTION 2: INSTALLED WITH A TOP RAIL CAPABLE OF SPANNING 10 FEET.  
 FOR THESE CONDITIONS, THE SYSTEM WILL SUPPORT THE 200 LB LOAD VERTICALLY OR HORIZONTALLY WITH A SAFETY FACTOR OF 4.0 AGAINST GLASS FAILURE.



CATALOG NUMBER	FINISH
AFWC1	BRUSHED STAINLESS - 316 S.S.
AFWC6	POLISHED STAINLESS - 316 S.S.

① WINDSCREEN INTERIOR ELEVATION  
1'-0"=1'-0"

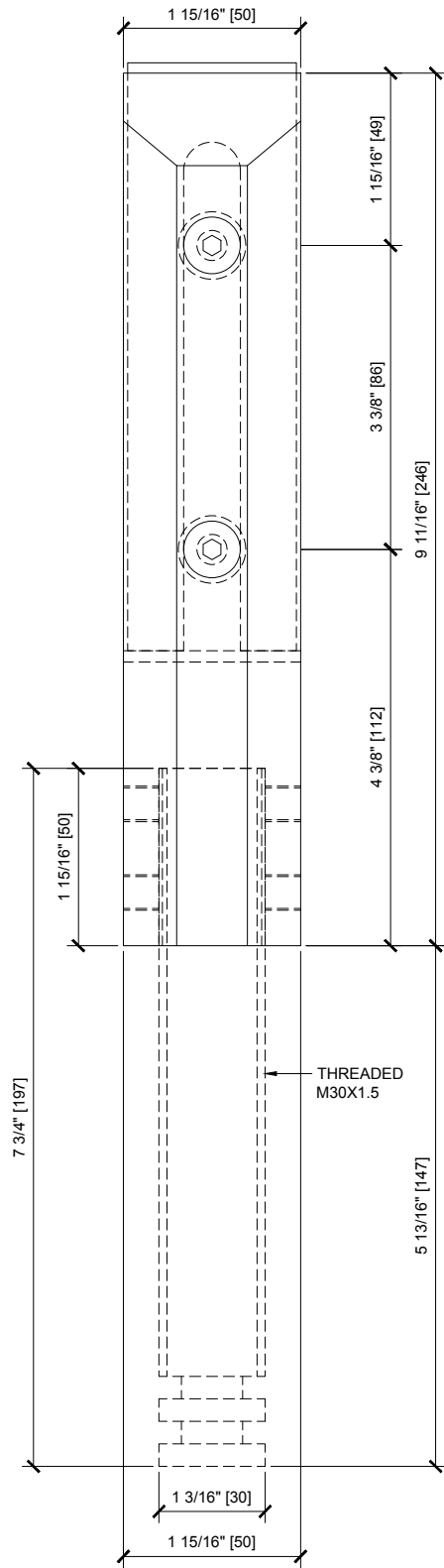
② WINDSCREEN SECTION  
1'-0"=1'-0"

Description:

FSC FRAMELESS WINDSCREEN SYSTEMS

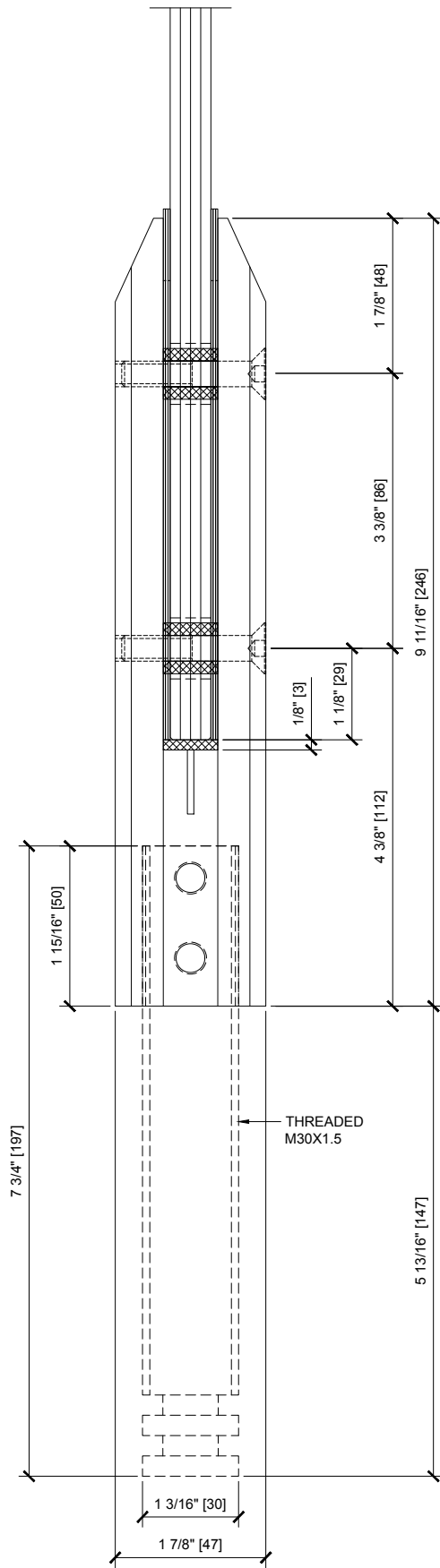
Drawn By: AAD  
 Date: 1/15/16  
 Scale: AS NOTED  
 File Name: Frameless Windscreen Systems.dwg

Sheet



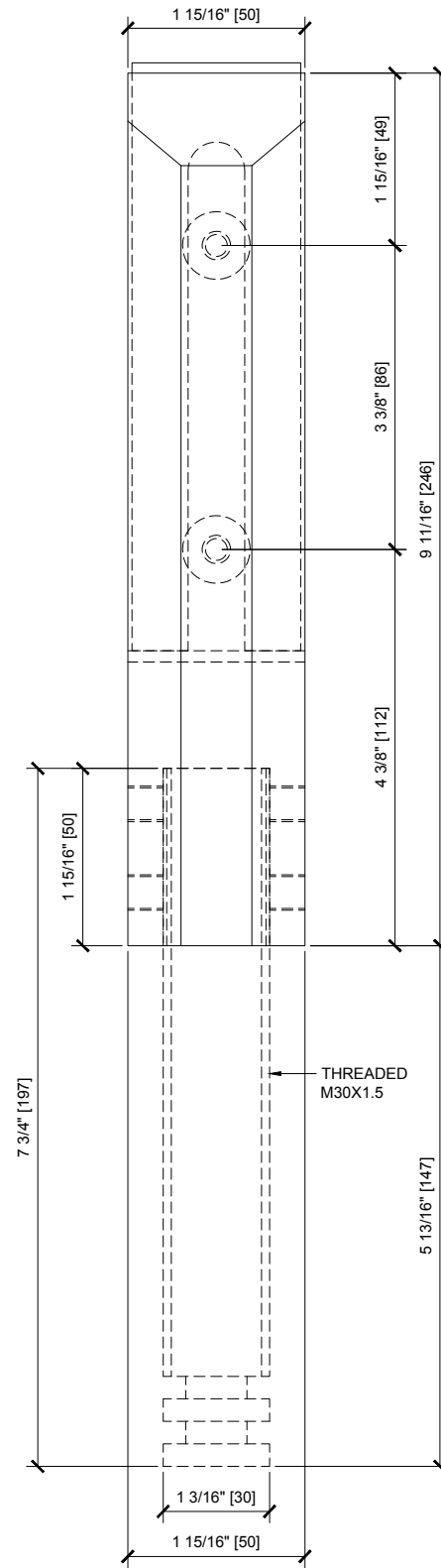
① AFWC1 / AFWC6 FRONT VIEW

1'-0"=1'-0"



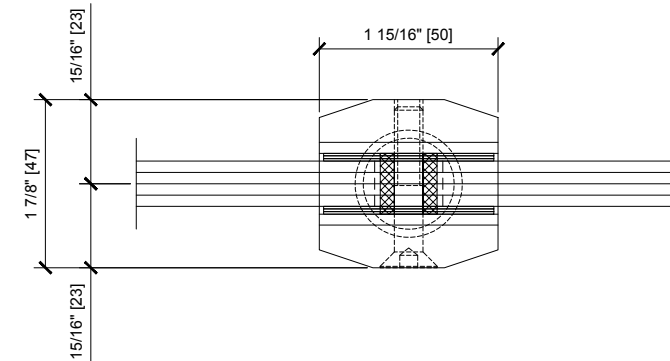
② AFWC1 / AFWC6 SIDE VIEW

1'-0"=1'-0"



③ AFWC1 / AFWC6 REAR VIEW

1'-0"=1'-0"

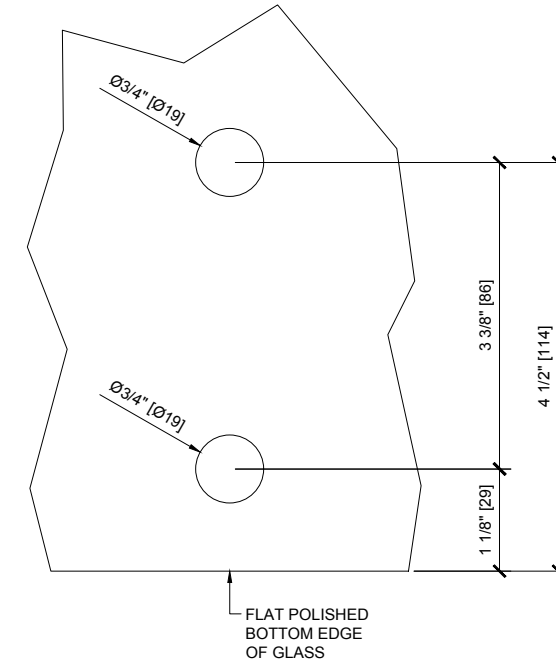


④ AFWC1 / AFWC6 TOP VIEW

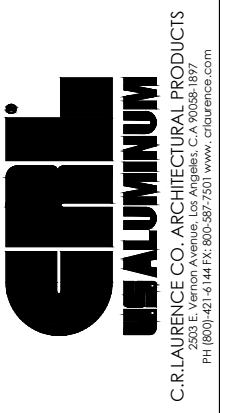
1'-0"=1'-0"

⑤ GLASS FABRICATION REQUIREMENTS

1'-0"=1'-0"



Revisions By:



Description:

FSC FRAMELESS WINDSCREEN SYSTEMS

Drawn By: AAD  
 Date: 1/15/16  
 Scale: AS NOTED  
 File Name: Frameless Windscreen Systems.dwg

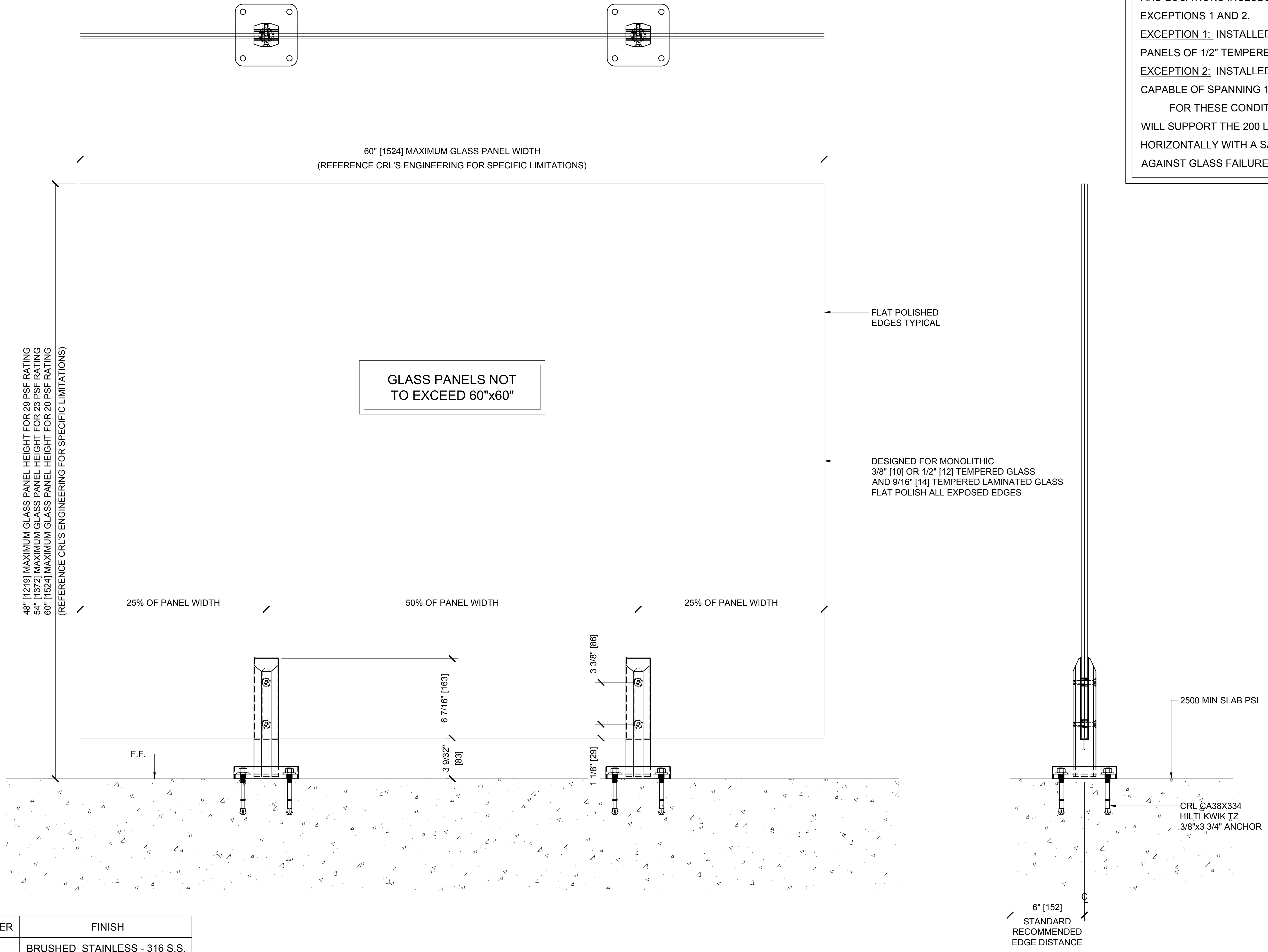


AFWC1S - CRL SURFACE MOUNT FRAMELESS WINDSCREEN CLAMPS

Revisions By:

THESE FRAMELESS WINDSCREEN CLAMPS MAY BE USED FOR FALL PROTECTION IN ONE AND TWO-FAMILY RESIDENTIAL OCCUPANCIES AND LOCATIONS INCLUDED IN IBC 1607.8.1 EXCEPTIONS 1 AND 2.  
 EXCEPTION 1: INSTALLED WITH A MINIMUM OF 3 PANELS OF 1/2" TEMPERED GLASS.  
 EXCEPTION 2: INSTALLED WITH A TOP RAIL CAPABLE OF SPANNING 10 FEET.  
 FOR THESE CONDITIONS, THE SYSTEM WILL SUPPORT THE 200 LB LOAD VERTICALLY OR HORIZONTALLY WITH A SAFETY FACTOR OF 4.0 AGAINST GLASS FAILURE.

**CRL**  
**US ALUMINUM**  
 C.R. LAURENCE CO. ARCHITECTURAL PRODUCTS  
 2503 E. Vernon Avenue, Los Angeles, CA 90058-1897  
 PH: (800)-421-6144 FX: 800-587-7301 www.crlaurence.com



48" [1219] MAXIMUM GLASS PANEL HEIGHT FOR 20 PSF RATING  
 54" [1372] MAXIMUM GLASS PANEL HEIGHT FOR 23 PSF RATING  
 60" [1524] MAXIMUM GLASS PANEL HEIGHT FOR 20 PSF RATING  
 (REFERENCE CRL'S ENGINEERING FOR SPECIFIC LIMITATIONS)

60" [1524] MAXIMUM GLASS PANEL WIDTH  
 (REFERENCE CRL'S ENGINEERING FOR SPECIFIC LIMITATIONS)

GLASS PANELS NOT TO EXCEED 60"x60"

FLAT POLISHED EDGES TYPICAL

DESIGNED FOR MONOLITHIC 3/8" [10] OR 1/2" [12] TEMPERED GLASS AND 9/16" [14] TEMPERED LAMINATED GLASS  
 FLAT POLISH ALL EXPOSED EDGES

25% OF PANEL WIDTH      50% OF PANEL WIDTH      25% OF PANEL WIDTH

F.F.

2500 MIN SLAB PSI

CRL CA38X334 HILTI KWIK TZ 3/8"x3 3/4" ANCHOR

6" [152] STANDARD RECOMMENDED EDGE DISTANCE

CATALOG NUMBER	FINISH
AFWC1SBS	BRUSHED STAINLESS - 316 S.S.
AFWC1SPS	POLISHED STAINLESS - 316 S.S.

① WINDSCREEN INTERIOR ELEVATION  
 1'-0"=1'-0"

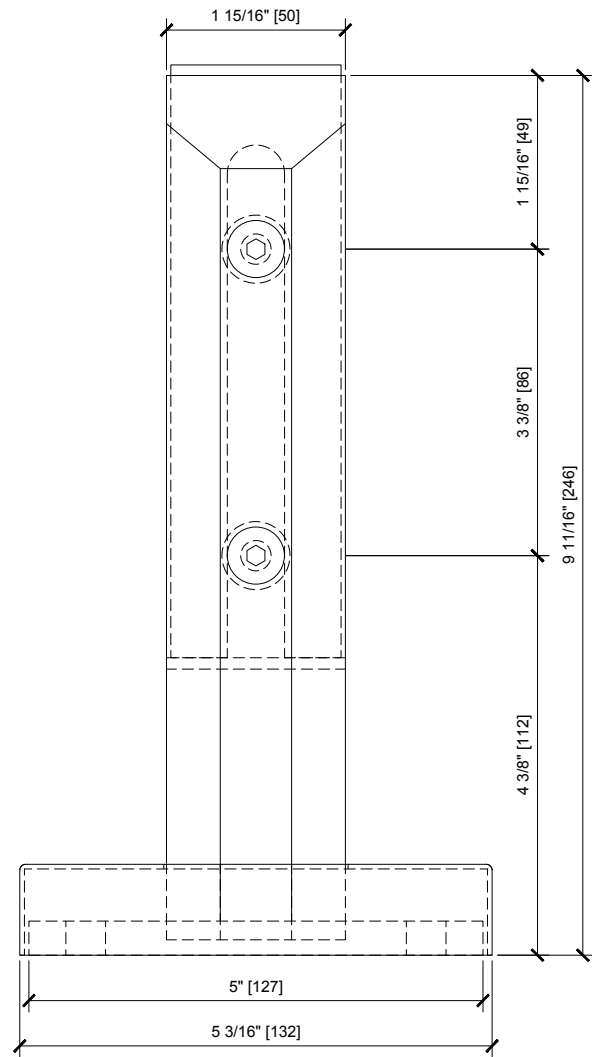
② WINDSCREEN SECTION  
 1'-0"=1'-0"

Description:

FSC FRAMELESS WINDSCREEN SYSTEMS

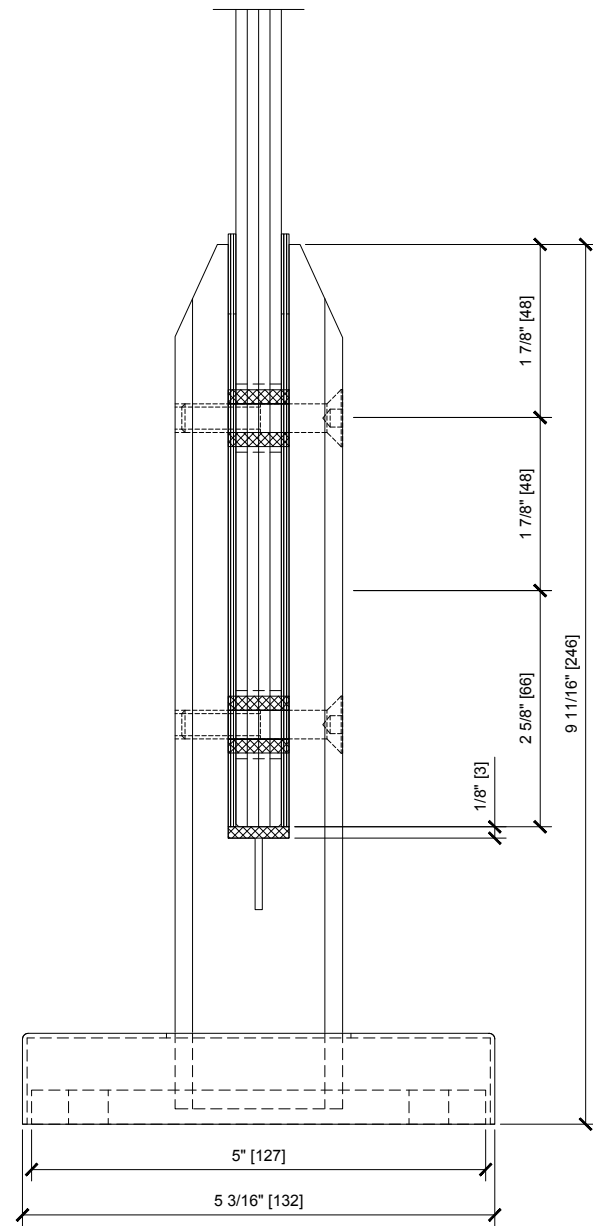
Drawn By: AAD  
 Date: 1/15/16  
 Scale: AS NOTED  
 File Name: Frameless Windscreen Systems.dwg

Sheet



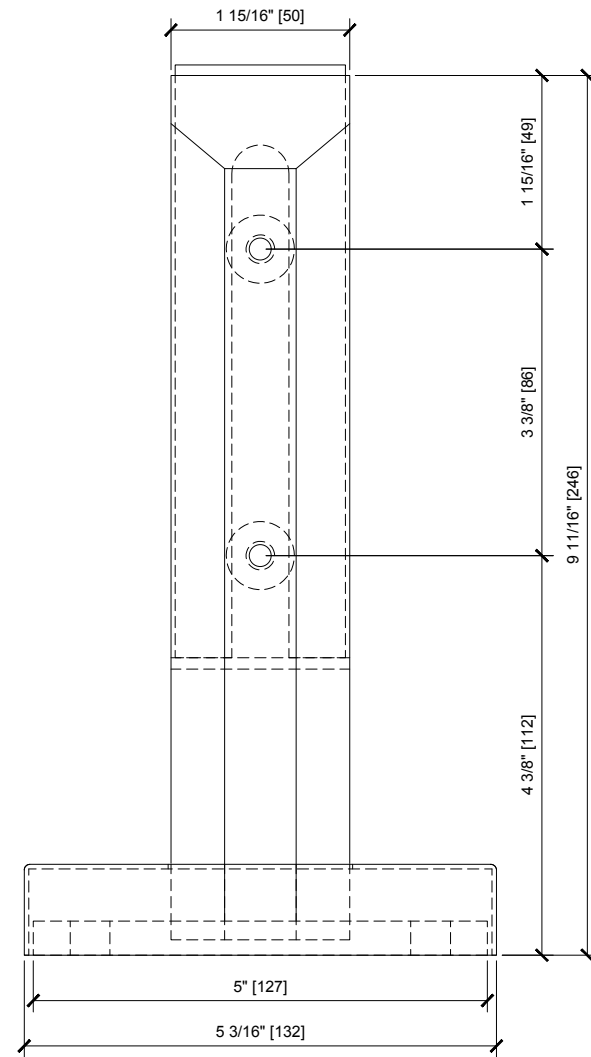
① AFWC1S FRONT VIEW

1'-0"=1'-0"



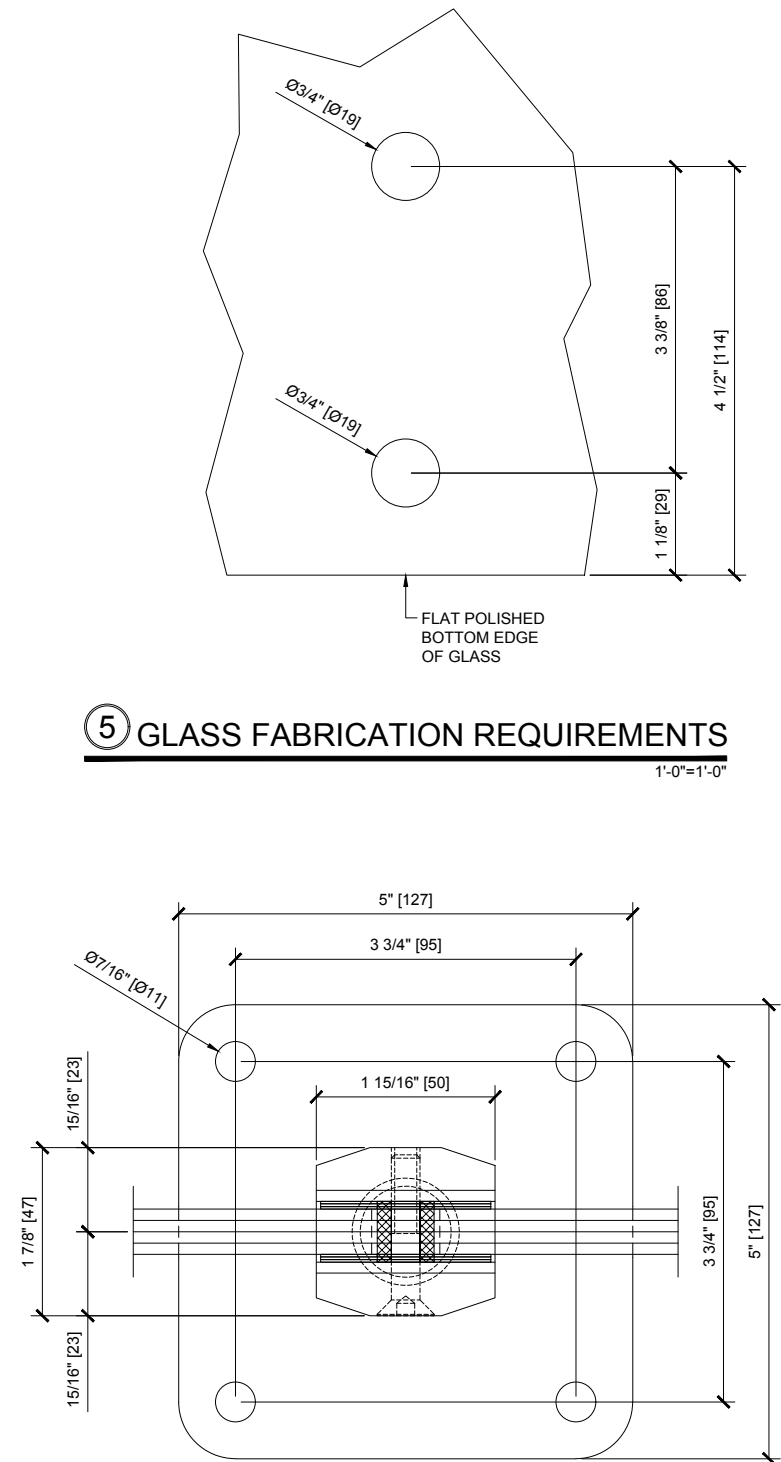
② AFWC1S SIDE VIEW

1'-0"=1'-0"



③ AFWC1S REAR VIEW

1'-0"=1'-0"



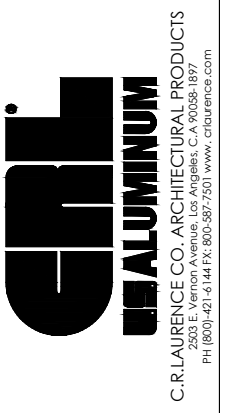
④ AFWC1S TOP VIEW

1'-0"=1'-0"

⑤ GLASS FABRICATION REQUIREMENTS

1'-0"=1'-0"

Revisions By:



Description:

FSC FRAMELESS  
WINDSCREEN SYSTEMS

Drawn By: AAD  
Date: 1/15/16  
Scale: AS NOTED  
File Name:  
Frameless Windscreen Systems.dwg

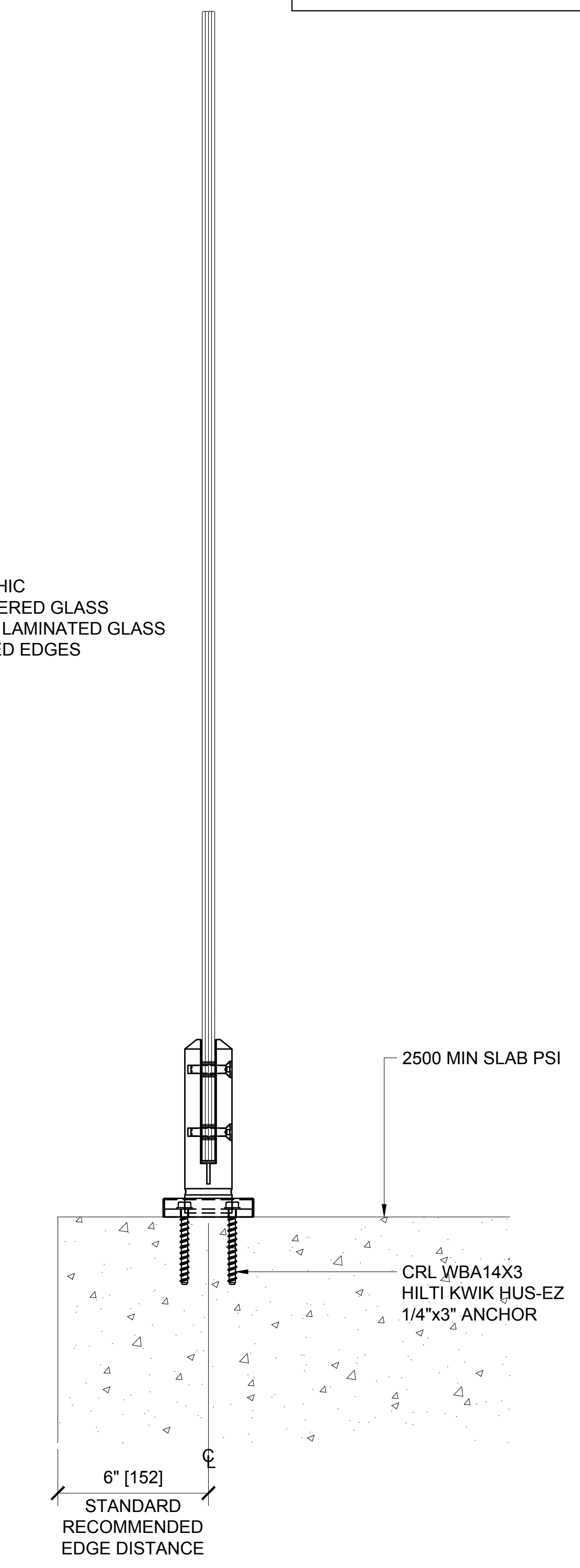
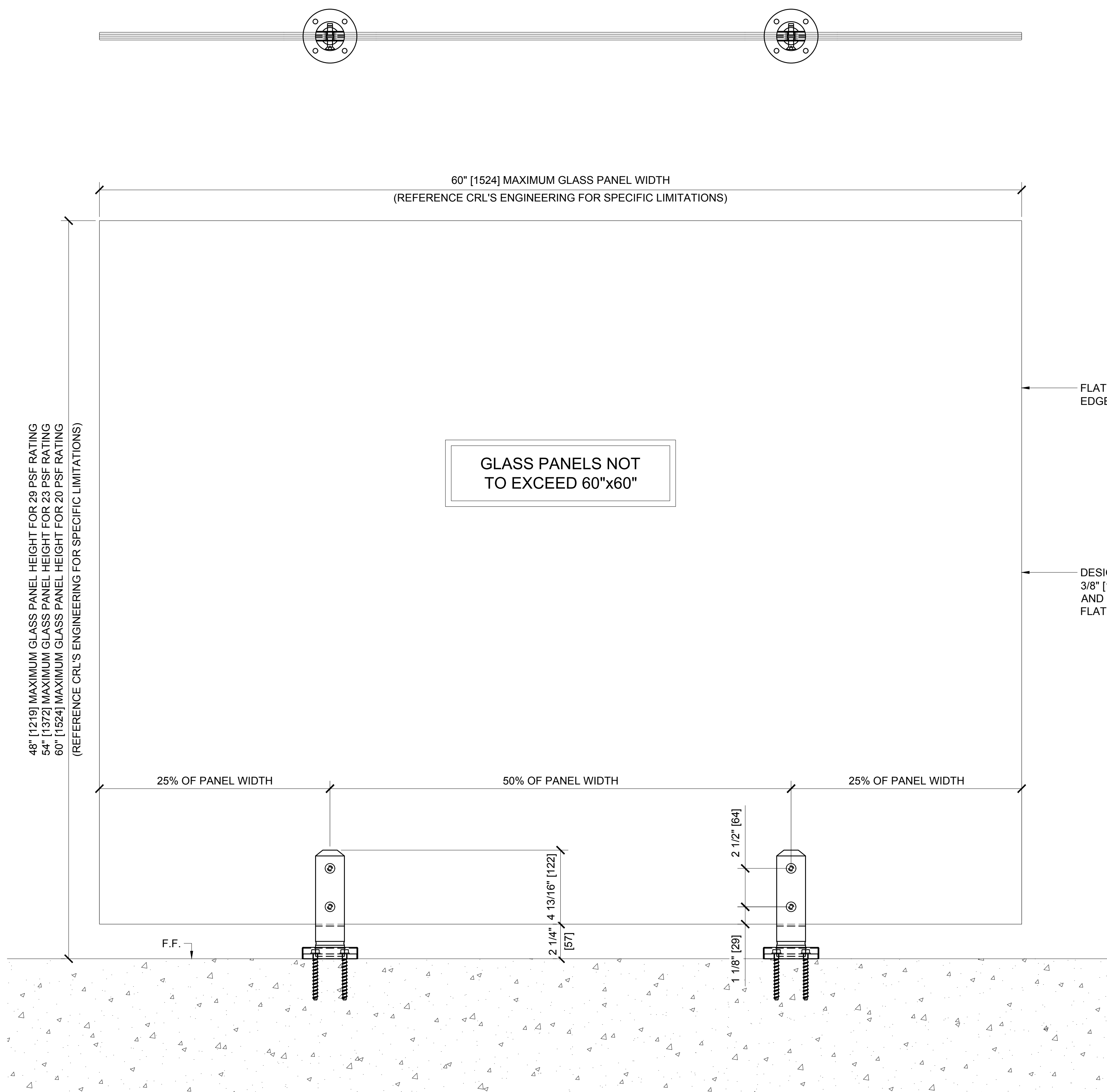
Sheet



AFWC4S - CRL SURFACE MOUNT FRAMELESS WINDSCREEN CLAMPS

Revisions By:

THESE FRAMELESS WINDSCREEN CLAMPS MAY BE USED FOR FALL PROTECTION IN ONE AND TWO-FAMILY RESIDENTIAL OCCUPANCIES AND LOCATIONS INCLUDED IN IBC 1607.8.1 EXCEPTIONS 1 AND 2.  
 EXCEPTION 1: INSTALLED WITH A MINIMUM OF 3 PANELS OF 1/2" TEMPERED GLASS.  
 EXCEPTION 2: INSTALLED WITH A TOP RAIL CAPABLE OF SPANNING 10 FEET.  
 FOR THESE CONDITIONS, THE SYSTEM WILL SUPPORT THE 200 LB LOAD VERTICALLY OR HORIZONTALLY WITH A SAFETY FACTOR OF 4.0 AGAINST GLASS FAILURE.



CATALOG NUMBER	FINISH
AFWC4SBS	BRUSHED STAINLESS - 316 S.S.
AFWC4SPS	POLISHED STAINLESS - 316 S.S.

① WINDSCREEN INTERIOR ELEVATION  
1'-0"=1'-0"

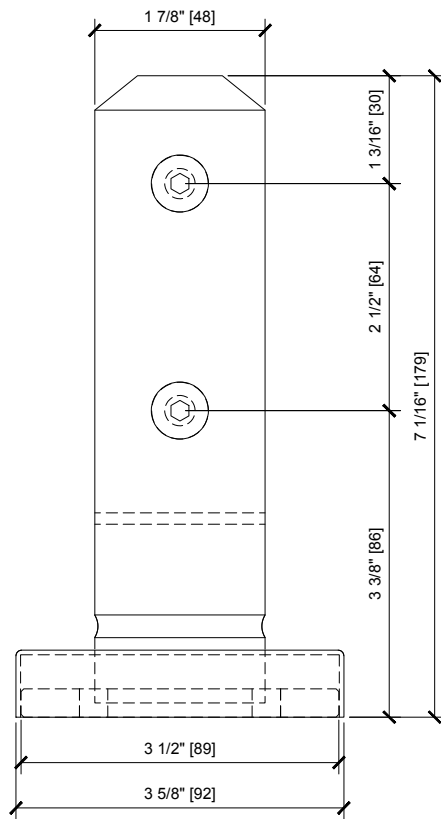
② WINDSCREEN SECTION  
1'-0"=1'-0"

Description:

FSC FRAMELESS WINDSCREEN SYSTEMS

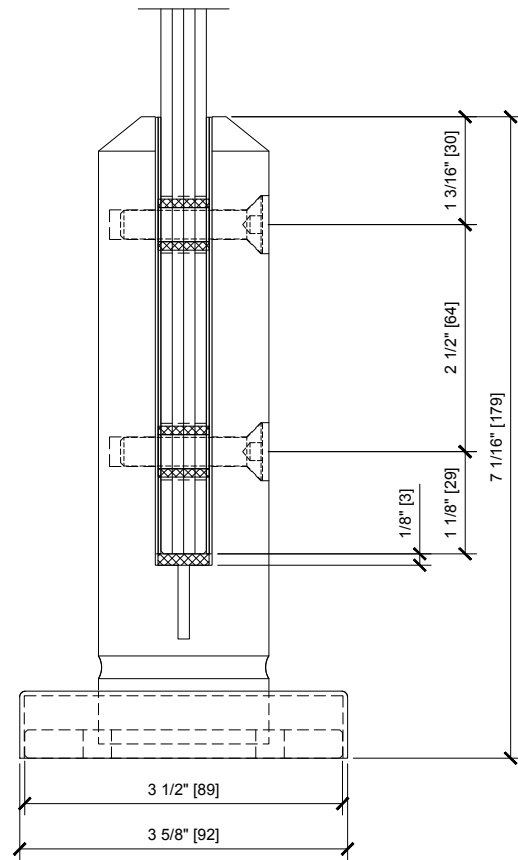
Drawn By: AAD  
 Date: 1/15/16  
 Scale: AS NOTED  
 File Name: Frameless Windscreen Systems.dwg

Sheet



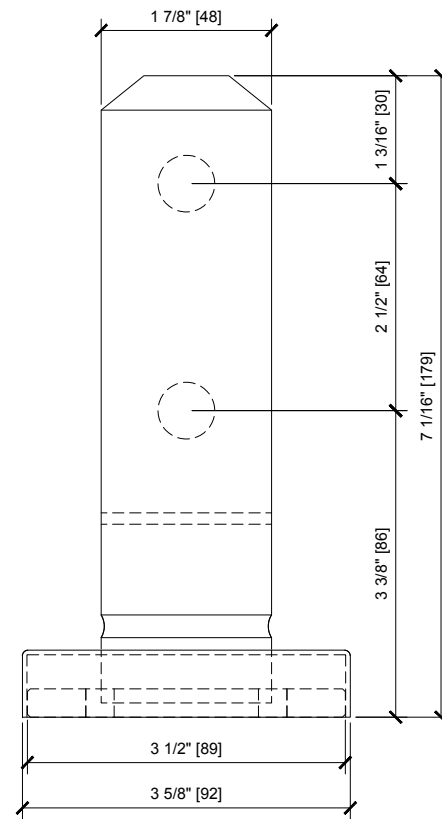
① AFWC4S FRONT VIEW

1'-0"=1'-0"



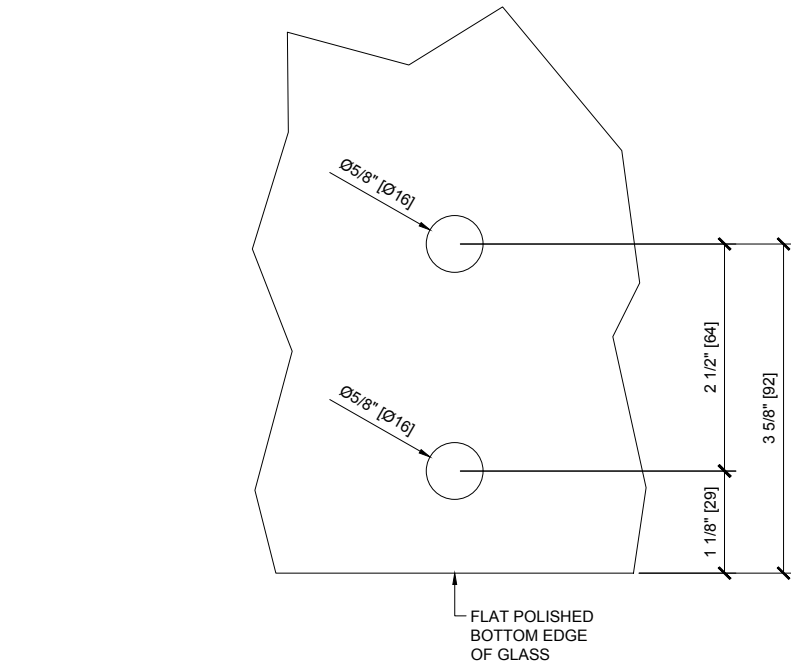
② AFWC4S SIDE VIEW

1'-0"=1'-0"



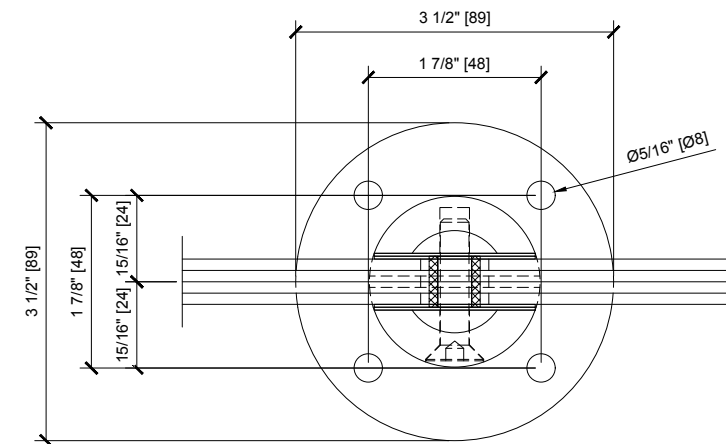
③ AFWC4S REAR VIEW

1'-0"=1'-0"



⑤ GLASS FABRICATION REQUIREMENTS

1'-0"=1'-0"



④ AFWC4S TOP VIEW

1'-0"=1'-0"

Description:

FSC FRAMELESS  
WINDSCREEN SYSTEMS

Drawn By: AAD

Date: 1/15/16

Scale: AS NOTED

File Name:

Frameless Windscreen Systems.dwg

Sheet





AFWC2 / AFWC7 - CRL SURFACE MOUNT FRAMELESS WINDSCREEN CLAMPS

THESE FRAMELESS WINDSCREEN CLAMPS MAY BE USED FOR FALL PROTECTION IN ONE AND TWO-FAMILY RESIDENTIAL OCCUPANCIES AND LOCATIONS INCLUDED IN IBC 1607.8.1 EXCEPTIONS 1 AND 2.  
 EXCEPTION 1: INSTALLED WITH A MINIMUM OF 3 PANELS OF 1/2" TEMPERED GLASS.  
 EXCEPTION 2: INSTALLED WITH A TOP RAIL CAPABLE OF SPANNING 10 FEET.  
 FOR THESE CONDITIONS, THE SYSTEM WILL SUPPORT THE 200 LB LOAD VERTICALLY OR HORIZONTALLY WITH A SAFETY FACTOR OF 4.0 AGAINST GLASS FAILURE.

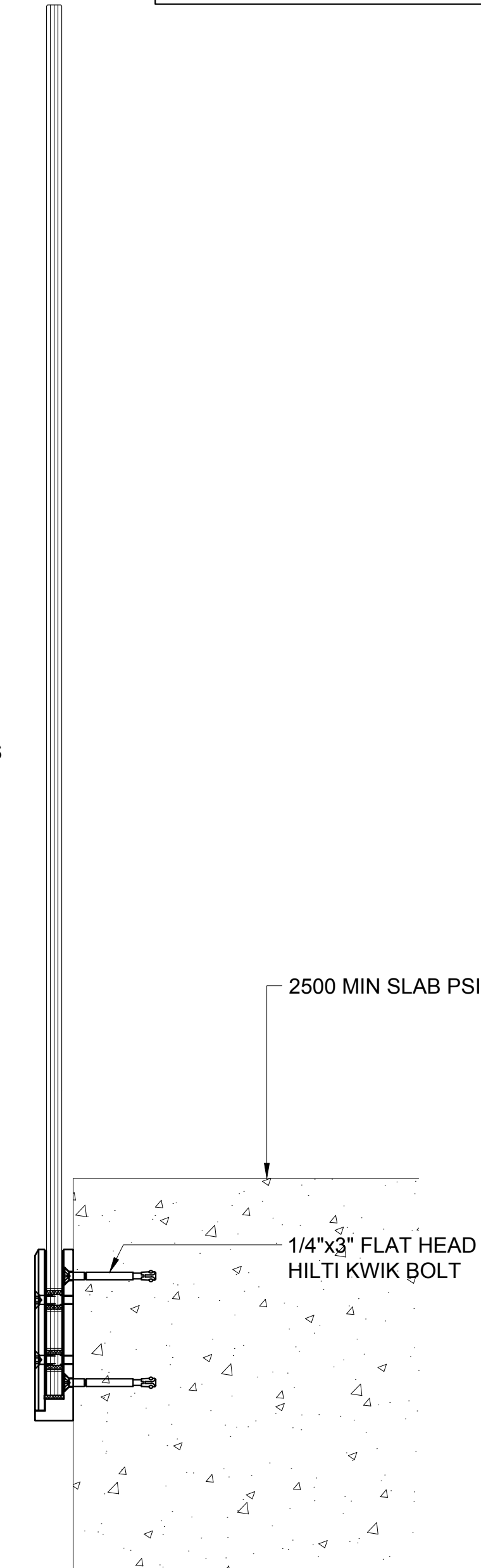
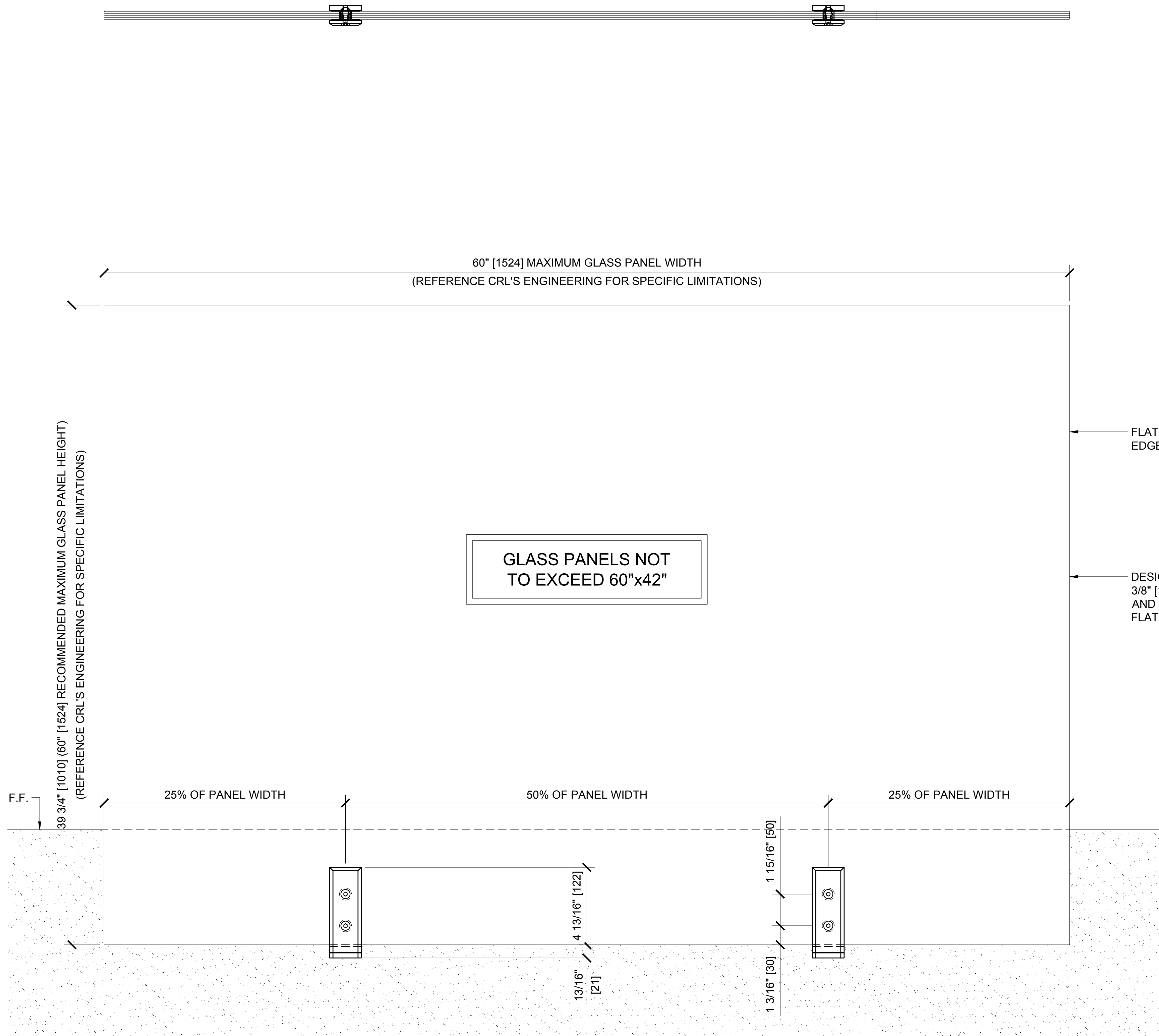
Revisions By:

**CRL US ALUMINUM**  
 C.R. LAURENCE CO. ARCHITECTURAL PRODUCTS  
 2503 E. Vernon Avenue, Los Angeles, CA 90058-1897  
 PH: (800)-421-6144 FX: 800-587-7301 www.crlaurence.com

Description:  
 FSC FRAMELESS WINDSCREEN SYSTEMS

Drawn By: AAD  
 Date: 1/15/16  
 Scale: AS NOTED  
 File Name: Frameless Windscreen Systems.dwg

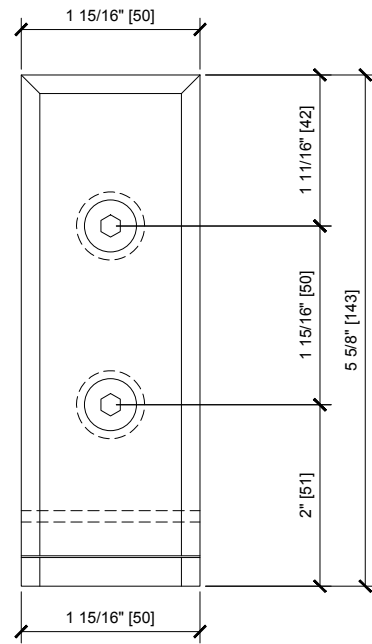
Sheet  
 1.09



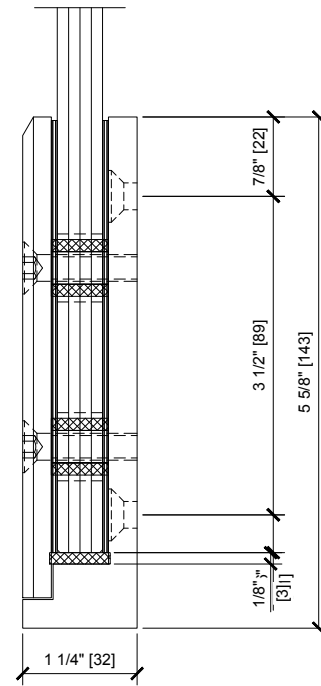
CATALOG NUMBER	FINISH
AFWC2	BRUSHED STAINLESS - 316 S.S.
AFWC7	POLISHED STAINLESS - 316 S.S.

① WINDSCREEN INTERIOR ELEVATION  
 1'-0"=1'-0"

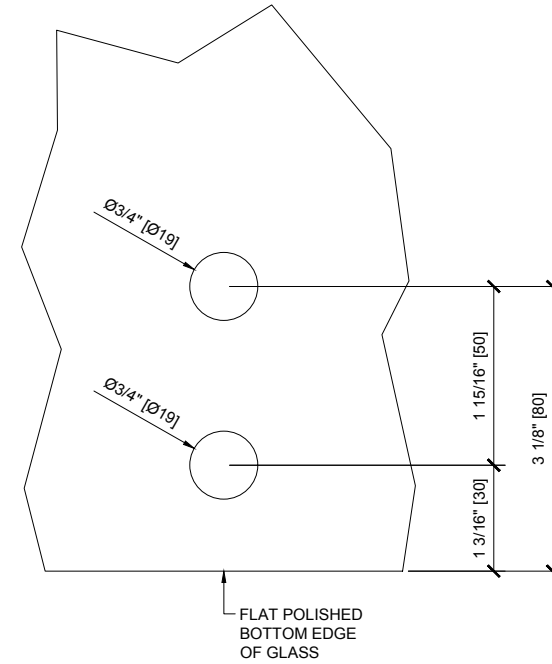
② WINDSCREEN SECTION  
 1'-0"=1'-0"



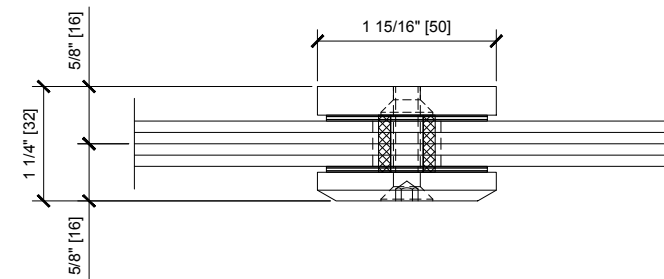
**① AFWC2 / AFWC7 FRONT VIEW**  
 1'-0\"/>



**② AFWC2 / AFWC7 SIDE VIEW**  
 1'-0\"/>



**⑤ GLASS FABRICATION REQUIREMENTS**  
 1'-0\"/>



**④ AFWC2 / AFWC7 TOP VIEW**  
 1'-0\"/>

Description:

FSC FRAMELESS  
WINDSCREEN SYSTEMS

Drawn By: AAD

Date: 1/15/16

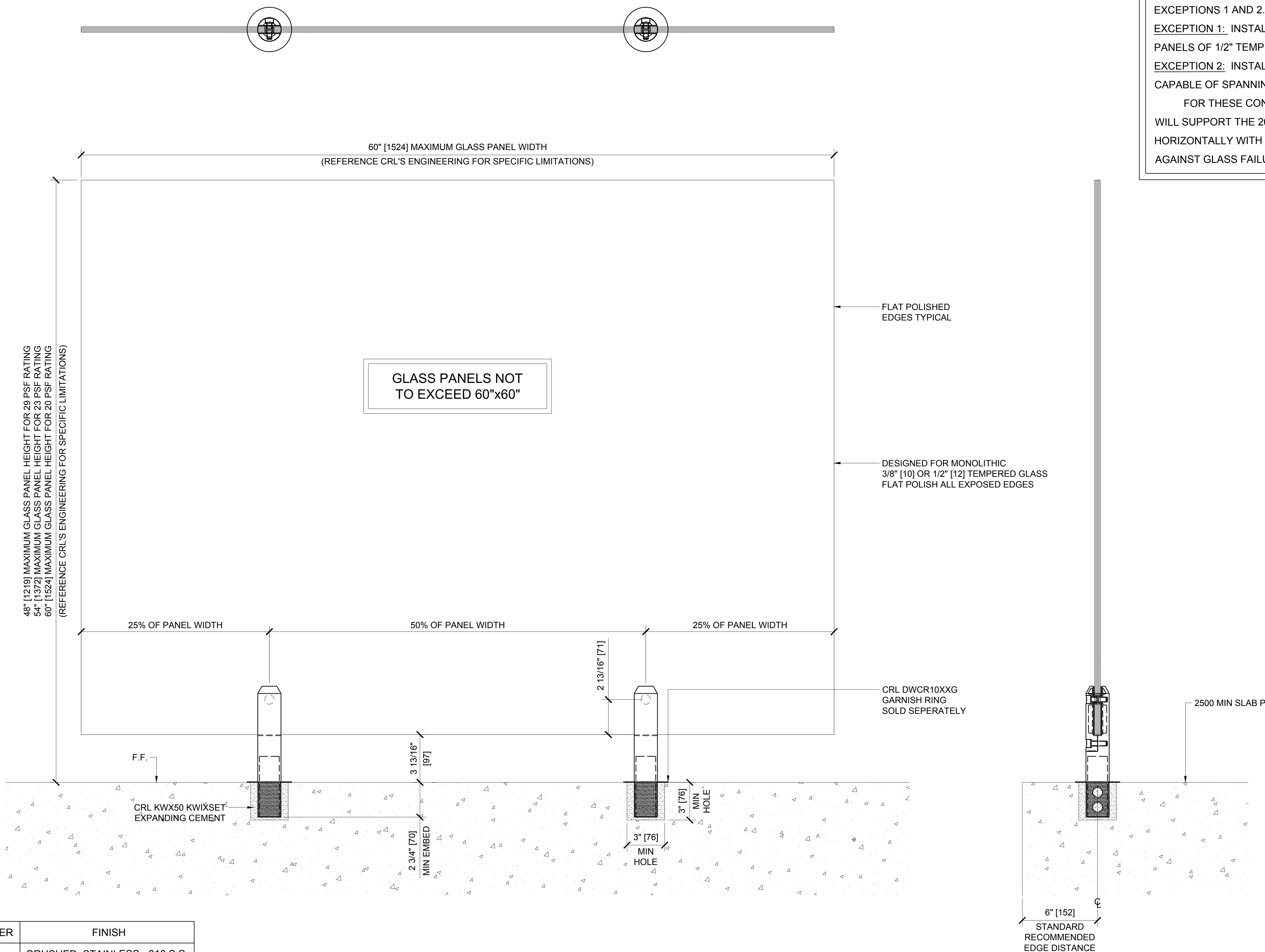
Scale: AS NOTED

File Name:

Frameless Windscreen Systems.dwg

Sheet

THESE FRAMELESS WINDSCREEN CLAMPS MAY BE USED FOR FALL PROTECTION IN ONE AND TWO-FAMILY RESIDENTIAL OCCUPANCIES AND LOCATIONS INCLUDED IN IBC 1607.8.1 EXCEPTIONS 1 AND 2.  
 EXCEPTION 1: INSTALLED WITH A MINIMUM OF 3 PANELS OF 1/2" TEMPERED GLASS.  
 EXCEPTION 2: INSTALLED WITH A TOP RAIL CAPABLE OF SPANNING 10 FEET.  
 FOR THESE CONDITIONS, THE SYSTEM WILL SUPPORT THE 200 LB LOAD VERTICALLY OR HORIZONTALLY WITH A SAFETY FACTOR OF 4.0 AGAINST GLASS FAILURE.



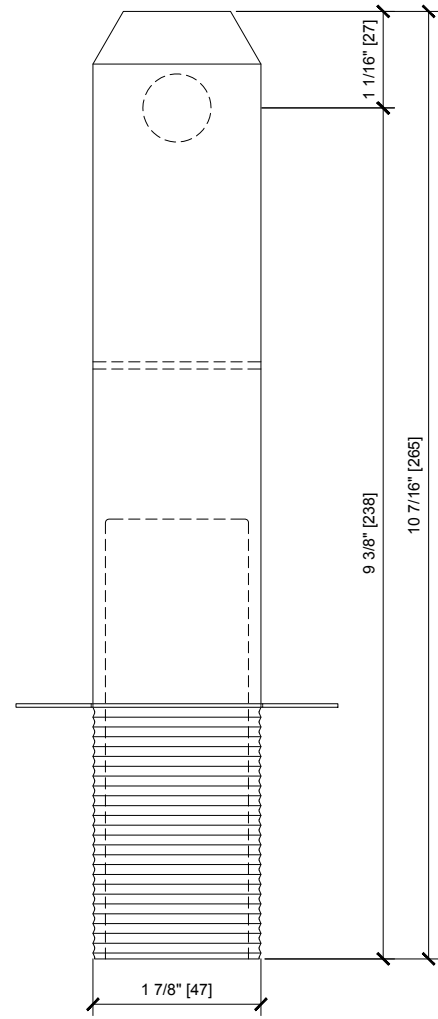
CATALOG NUMBER	FINISH
DWCR10BS	BRUSHED STAINLESS - 316 S.S.
DWCR10PS	POLISHED STAINLESS - 316 S.S.
DWCR10BSG	BRUSHED STAINLESS - 316 S.S.
DWCR10PSG	POLISHED STAINLESS - 316 S.S.

① WINDSCREEN INTERIOR ELEVATION  
 1'-0"=1'-0"

② WINDSCREEN SECTION  
 1'-0"=1'-0"

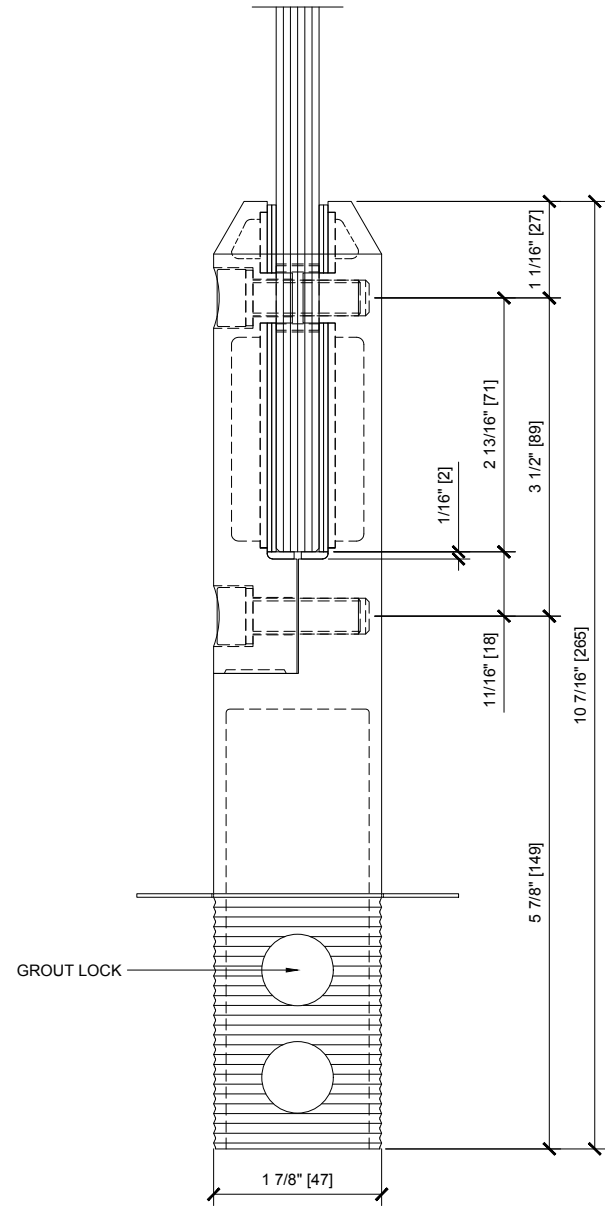
Description:  
 FSC FRAMELESS WINDSCREEN SYSTEMS

Drawn By: AAD  
 Date: 1/15/16  
 Scale: AS NOTED  
 File Name: Frameless Windscreen Systems.dwg



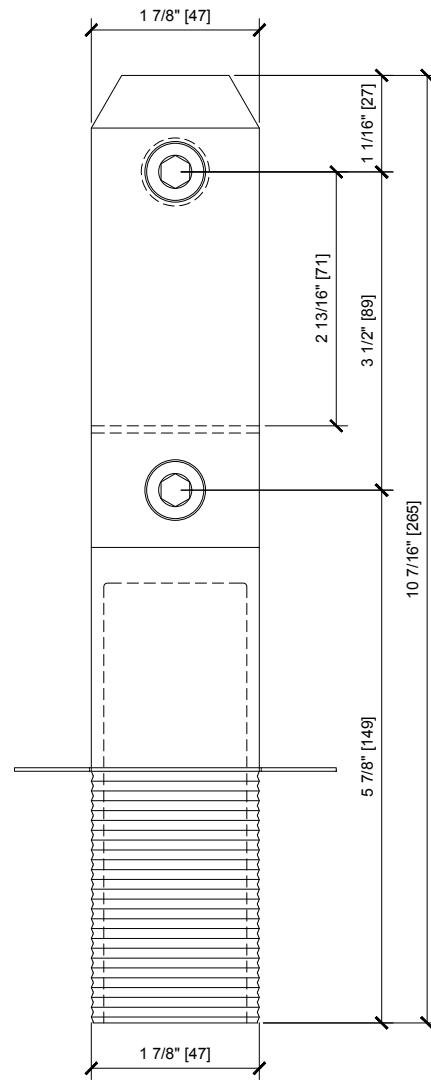
① DWCR10 FRONT VIEW

1'-0"=1'-0"



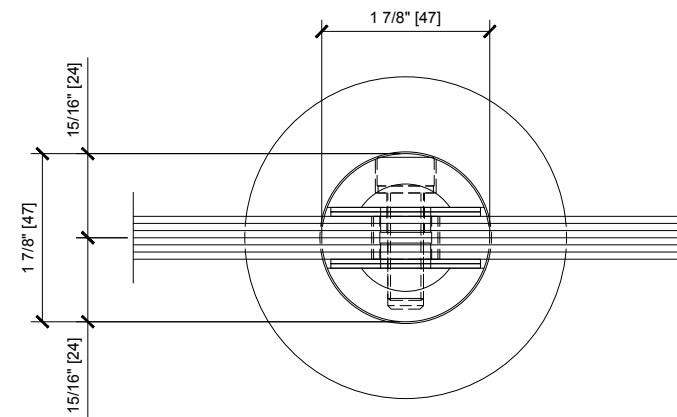
② DWCR10 SIDE VIEW

1'-0"=1'-0"



③ DWCR10 REAR VIEW

1'-0"=1'-0"

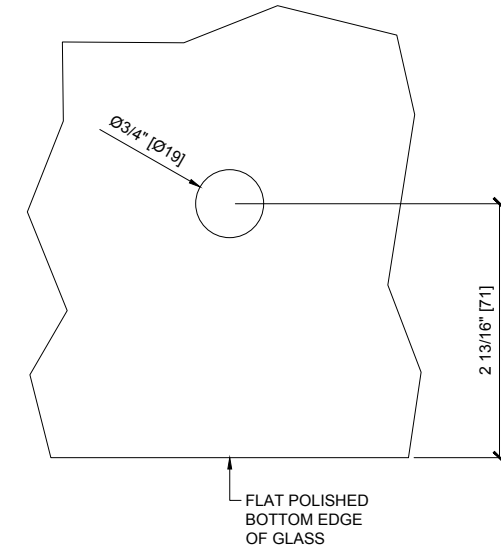


④ DWCR10 TOP VIEW

1'-0"=1'-0"

⑤ GLASS FABRICATION REQUIREMENTS

1'-0"=1'-0"



Discription:

FSC FRAMELESS  
WINDSCREEN SYSTEMS

Drawn By: AAD

Date: 1/15/16

Scale: AS NOTED

File Name:

Frameless Windscreen Systems.dwg

Sheet

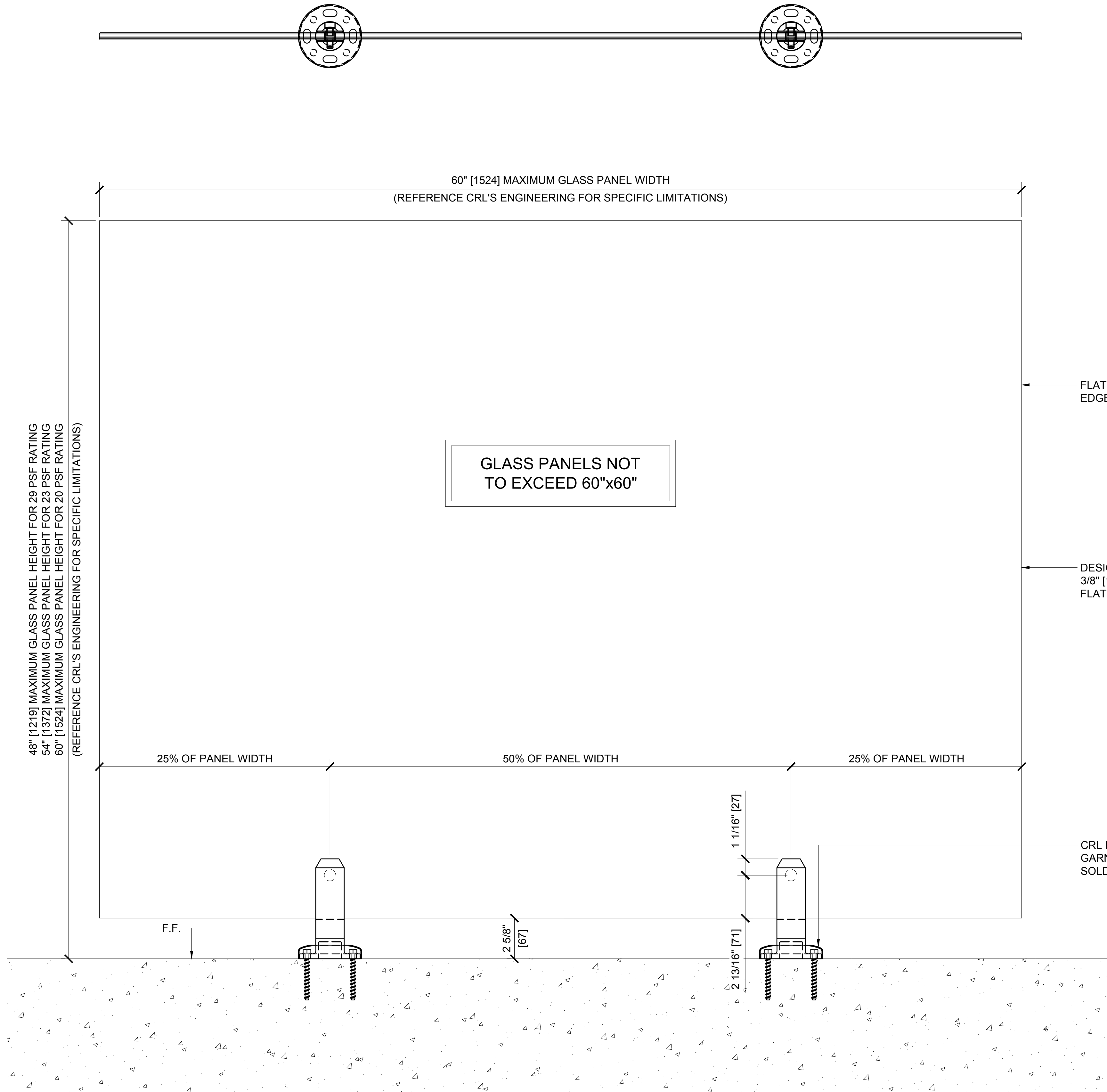


DWCR20 - CRL TWO-PIECE SURFACE MOUNT ROUND SPIGOT

Revisions By:

THESE FRAMELESS WINDSCREEN CLAMPS MAY BE USED FOR FALL PROTECTION IN ONE AND TWO-FAMILY RESIDENTIAL OCCUPANCIES AND LOCATIONS INCLUDED IN IBC 1607.8.1 EXCEPTIONS 1 AND 2.  
 EXCEPTION 1: INSTALLED WITH A MINIMUM OF 3 PANELS OF 1/2" TEMPERED GLASS.  
 EXCEPTION 2: INSTALLED WITH A TOP RAIL CAPABLE OF SPANNING 10 FEET.  
 FOR THESE CONDITIONS, THE SYSTEM WILL SUPPORT THE 200 LB LOAD VERTICALLY OR HORIZONTALLY WITH A SAFETY FACTOR OF 4.0 AGAINST GLASS FAILURE.

**CRL**  
**US ALUMINUM**  
 C.R. LAURENCE CO. ARCHITECTURAL PRODUCTS  
 2503 E. Vernon Avenue, Los Angeles, CA 90058-1897  
 PH: (800)-421-6144 FX: 800-587-7301 www.crlaurence.com



CATALOG NUMBER	FINISH
DWCR20BS	BRUSHED STAINLESS - 316 S.S.
DWCR20PS	POLISHED STAINLESS - 316 S.S.
DWCR20BSG	BRUSHED STAINLESS - 316 S.S.
DWCR20PSG	POLISHED STAINLESS - 316 S.S.

① WINDSCREEN INTERIOR ELEVATION  
 1'-0"=1'-0"

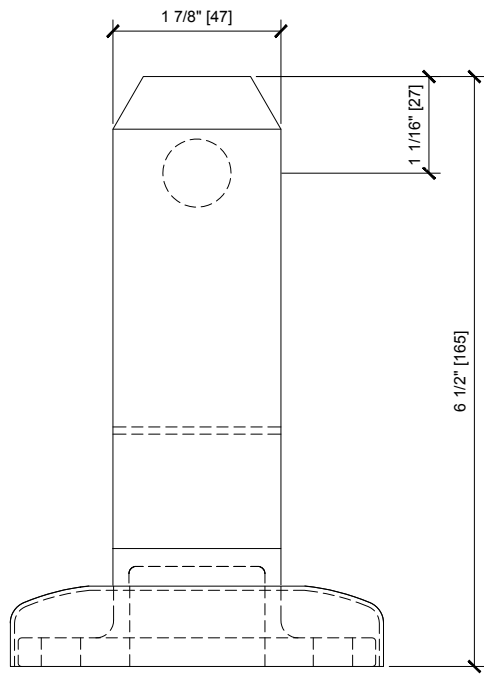
② WINDSCREEN SECTION  
 1'-0"=1'-0"

Description:

FSC FRAMELESS WINDSCREEN SYSTEMS

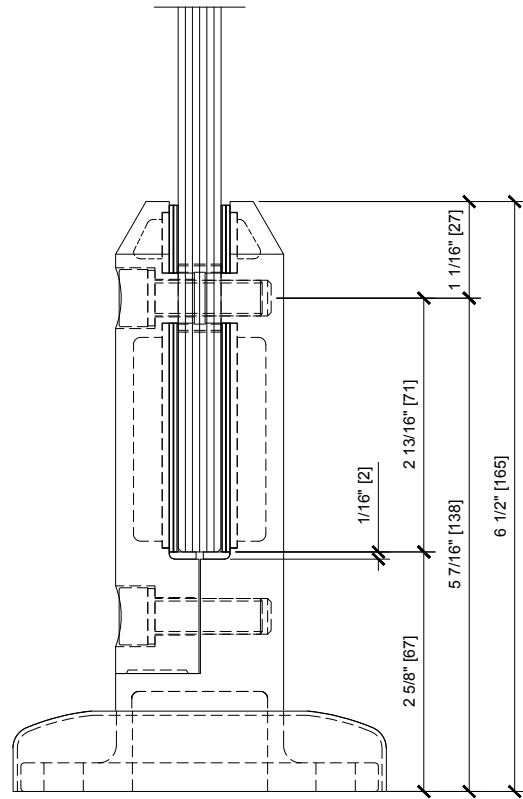
Drawn By: AAD  
 Date: 1/15/16  
 Scale: AS NOTED  
 File Name: Frameless Windscreen Systems.dwg

Sheet



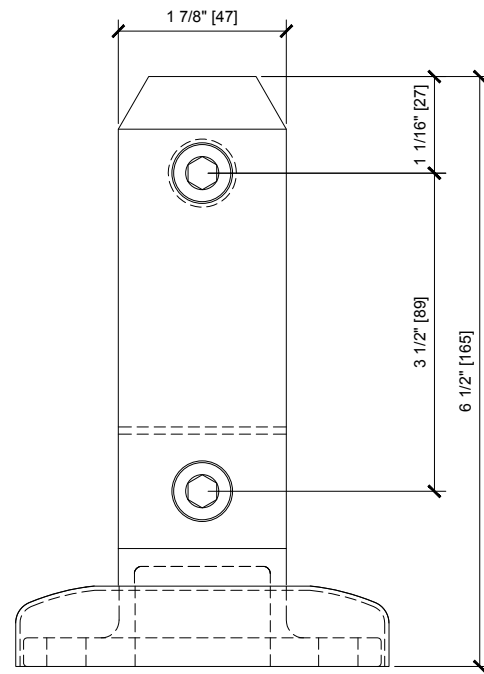
① DWCR20 FRONT VIEW

1'-0"=1'-0"



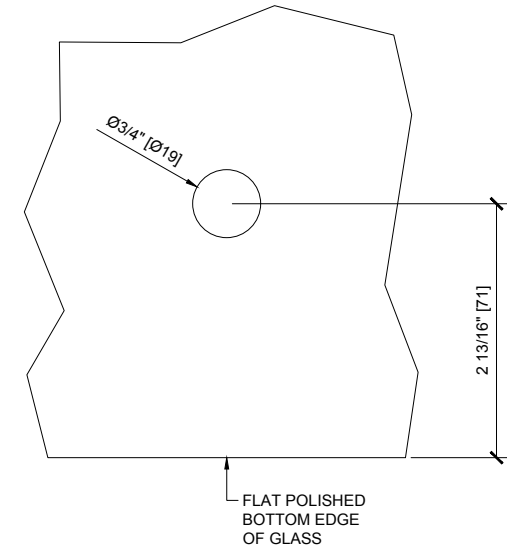
② DWCR20 SIDE VIEW

1'-0"=1'-0"



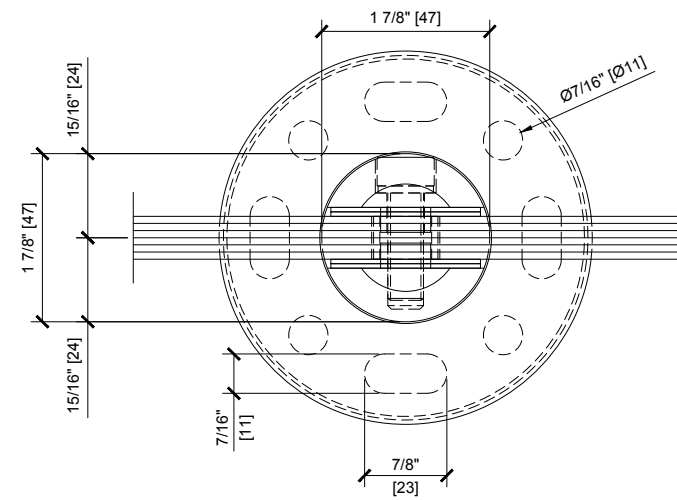
③ DWCR20 REAR VIEW

1'-0"=1'-0"



⑤ GLASS FABRICATION REQUIREMENTS

1'-0"=1'-0"



④ DWCR20 TOP VIEW

1'-0"=1'-0"

Description:

FSC FRAMELESS  
WINDSCREEN SYSTEMS

Drawn By: AAD

Date: 1/15/16

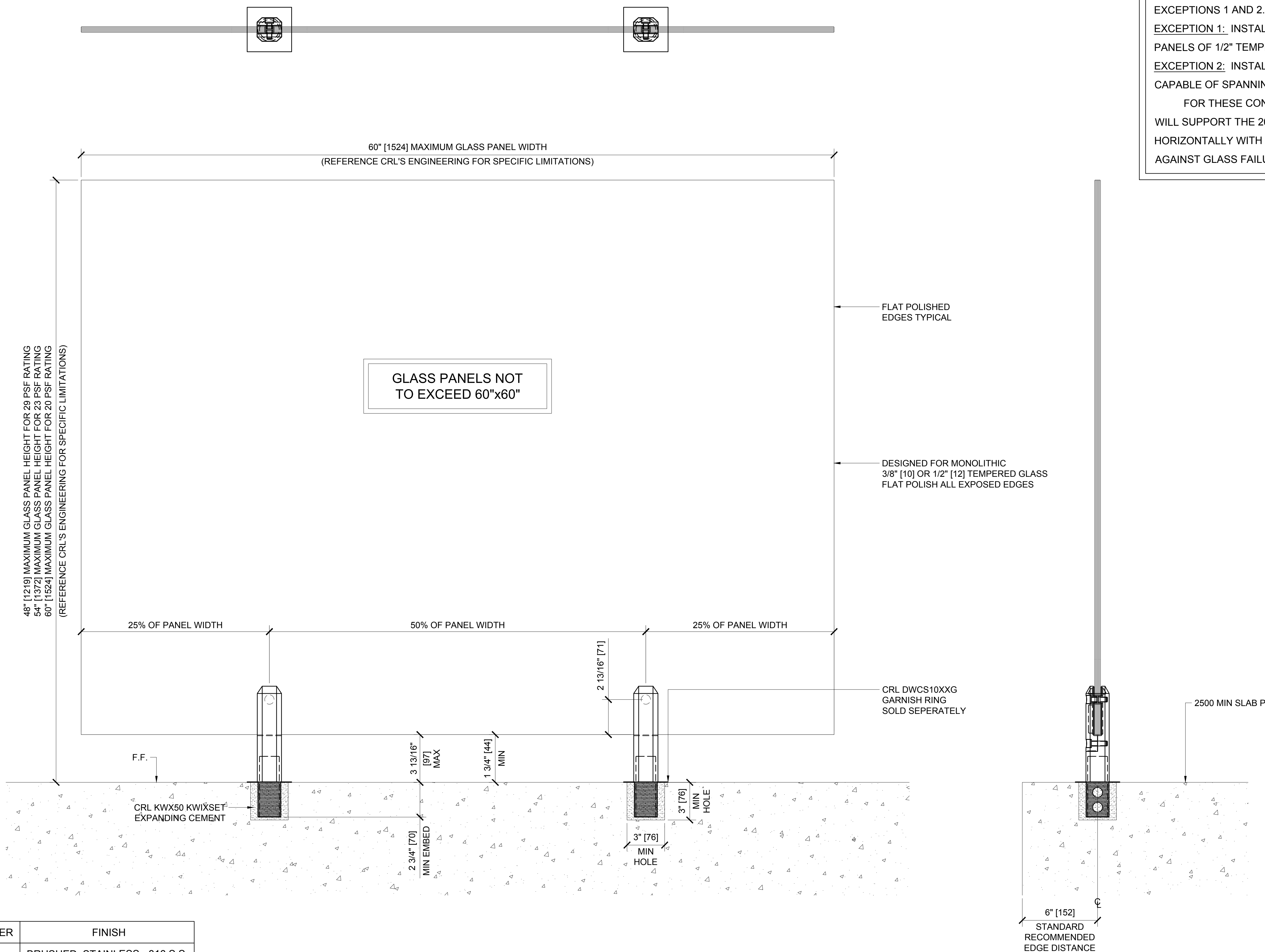
Scale: AS NOTED

File Name:

Frameless Windscreen Systems.dwg

Sheet

THESE FRAMELESS WINDSCREEN CLAMPS MAY BE USED FOR FALL PROTECTION IN ONE AND TWO-FAMILY RESIDENTIAL OCCUPANCIES AND LOCATIONS INCLUDED IN IBC 1607.8.1 EXCEPTIONS 1 AND 2.  
 EXCEPTION 1: INSTALLED WITH A MINIMUM OF 3 PANELS OF 1/2" TEMPERED GLASS.  
 EXCEPTION 2: INSTALLED WITH A TOP RAIL CAPABLE OF SPANNING 10 FEET.  
 FOR THESE CONDITIONS, THE SYSTEM WILL SUPPORT THE 200 LB LOAD VERTICALLY OR HORIZONTALLY WITH A SAFETY FACTOR OF 4.0 AGAINST GLASS FAILURE.



48" [1219] MAXIMUM GLASS PANEL HEIGHT FOR 20 PSF RATING  
 54" [1372] MAXIMUM GLASS PANEL HEIGHT FOR 23 PSF RATING  
 60" [1524] MAXIMUM GLASS PANEL HEIGHT FOR 20 PSF RATING  
 (REFERENCE CRL'S ENGINEERING FOR SPECIFIC LIMITATIONS)

GLASS PANELS NOT TO EXCEED 60"x60"

FLAT POLISHED EDGES TYPICAL

DESIGNED FOR MONOLITHIC 3/8" [10] OR 1/2" [12] TEMPERED GLASS  
 FLAT POLISH ALL EXPOSED EDGES

CRL DWCS10XXG GARNISH RING SOLD SEPERATELY

2500 MIN SLAB PSI

F.F.

CRL KWX50 KWISET EXPANDING CEMENT

① WINDSCREEN INTERIOR ELEVATION  
 1'-0"=1'-0"

② WINDSCREEN SECTION  
 1'-0"=1'-0"

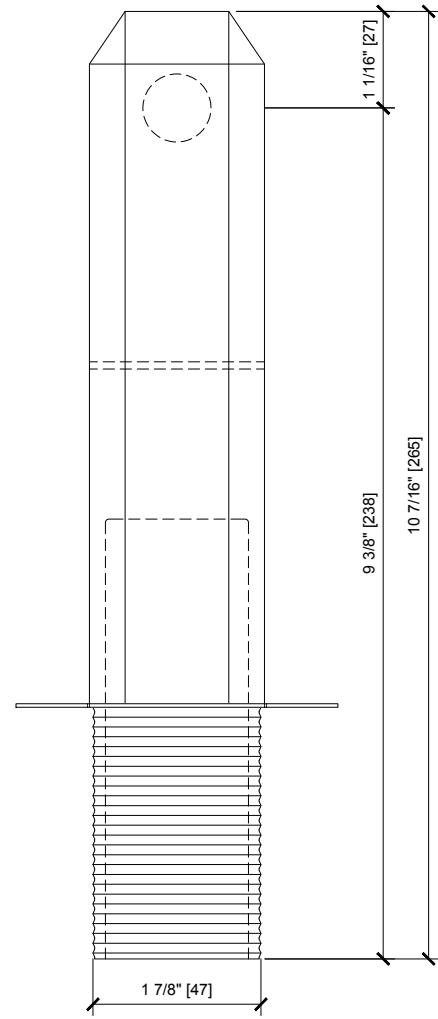
CATALOG NUMBER	FINISH
DWCS10BS	BRUSHED STAINLESS - 316 S.S.
DWCS10PS	POLISHED STAINLESS - 316 S.S.
DWCS10BSG	BRUSHED STAINLESS - 316 S.S.
DWCS10PSG	POLISHED STAINLESS - 316 S.S.

Description:

FSC FRAMELESS WINDSCREEN SYSTEMS

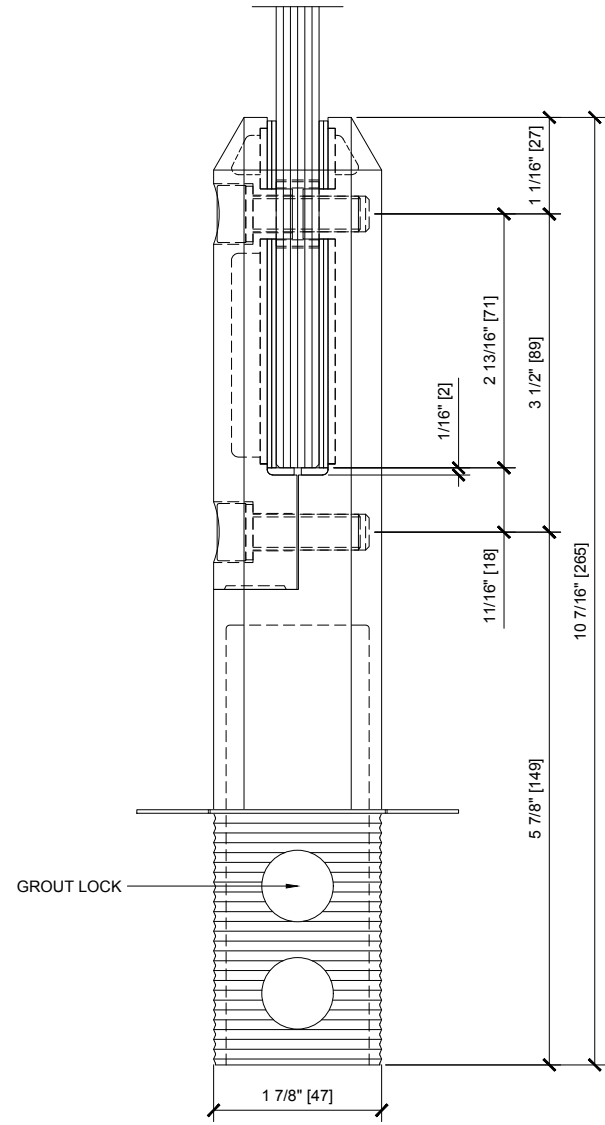
Drawn By: AAD  
 Date: 1/15/16  
 Scale: AS NOTED  
 File Name: Frameless Windscreen Systems.dwg

Sheet



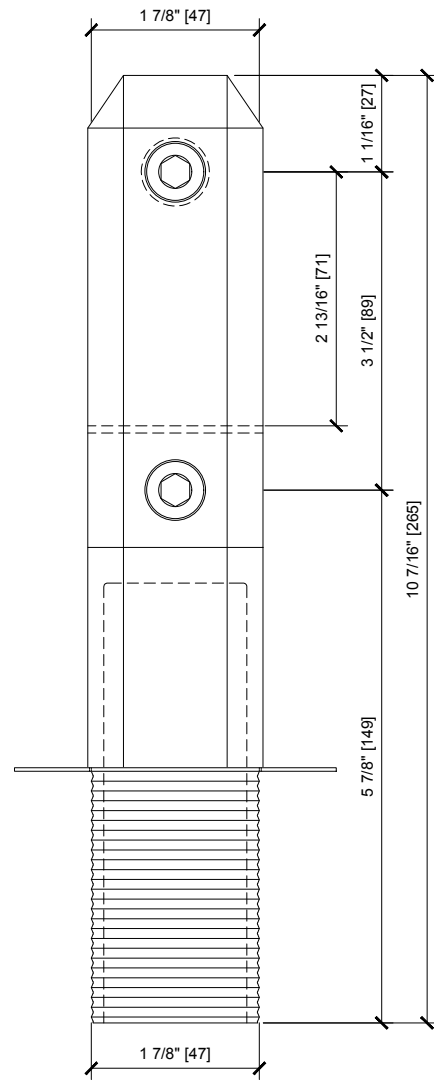
① DWCS10 FRONT VIEW

1'-0"=1'-0"



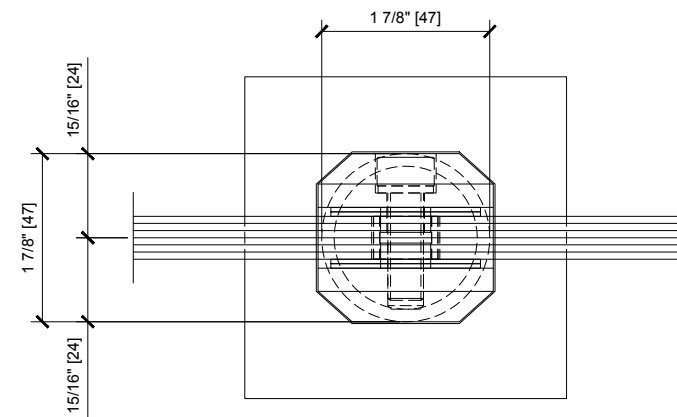
② DWCS10 SIDE VIEW

1'-0"=1'-0"



③ DWCS10 REAR VIEW

1'-0"=1'-0"

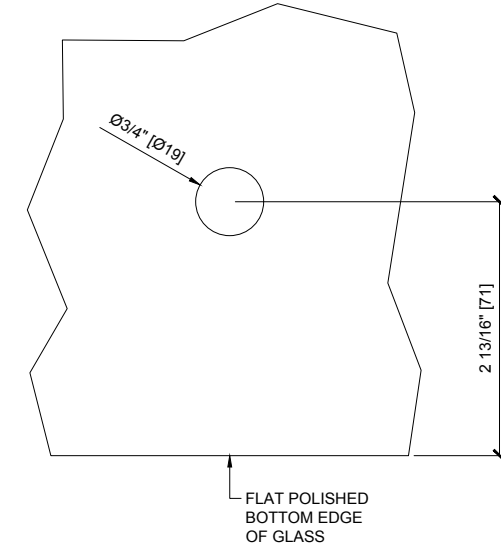


④ DWCS10 TOP VIEW

1'-0"=1'-0"

⑤ GLASS FABRICATION REQUIREMENTS

1'-0"=1'-0"



Discription:

FSC FRAMELESS  
WINDSCREEN SYSTEMS

Drawn By: AAD

Date: 1/15/16

Scale: AS NOTED

File Name:

Frameless Windscreen Systems.dwg

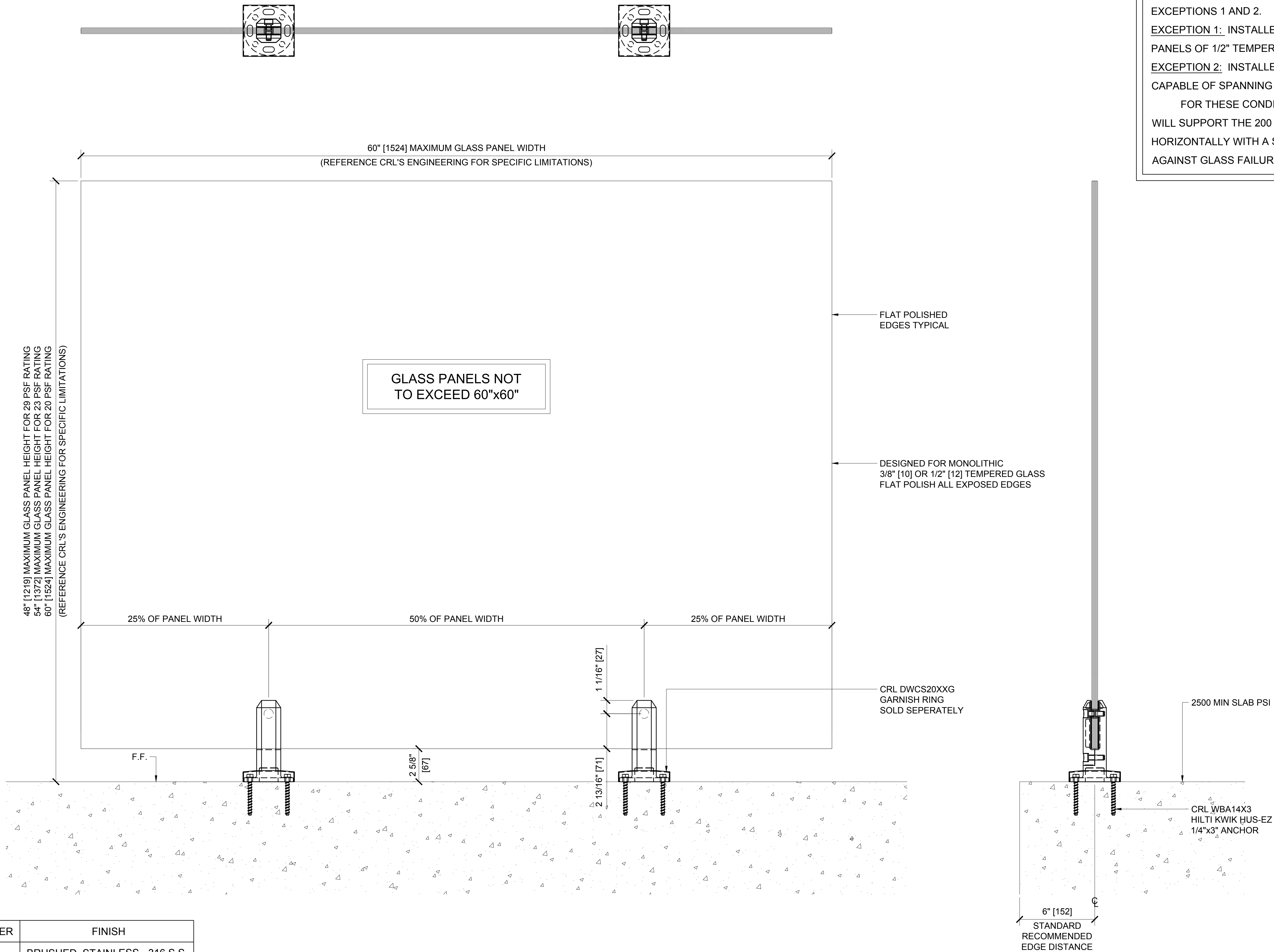
Sheet





DWCS20 - CRL TWO-PIECE SURFACE MOUNT ROUND SPIGOT

Revisions By:



THESE FRAMELESS WINDSCREEN CLAMPS MAY BE USED FOR FALL PROTECTION IN ONE AND TWO-FAMILY RESIDENTIAL OCCUPANCIES AND LOCATIONS INCLUDED IN IBC 1607.8.1 EXCEPTIONS 1 AND 2.  
EXCEPTION 1: INSTALLED WITH A MINIMUM OF 3 PANELS OF 1/2" TEMPERED GLASS.  
EXCEPTION 2: INSTALLED WITH A TOP RAIL CAPABLE OF SPANNING 10 FEET.  
FOR THESE CONDITIONS, THE SYSTEM WILL SUPPORT THE 200 LB LOAD VERTICALLY OR HORIZONTALLY WITH A SAFETY FACTOR OF 4.0 AGAINST GLASS FAILURE.



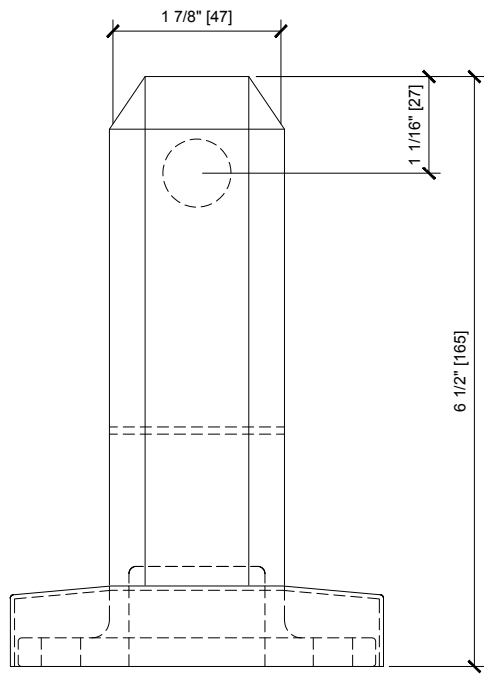
Description:  
FSC FRAMELESS WINDSCREEN SYSTEMS

CATALOG NUMBER	FINISH
DWCS20BS	BRUSHED STAINLESS - 316 S.S.
DWCS20PS	POLISHED STAINLESS - 316 S.S.
DWCS20BSG	BRUSHED STAINLESS - 316 S.S.
DWCS20PSG	POLISHED STAINLESS - 316 S.S.

① WINDSCREEN INTERIOR ELEVATION  
1'-0"=1'-0"

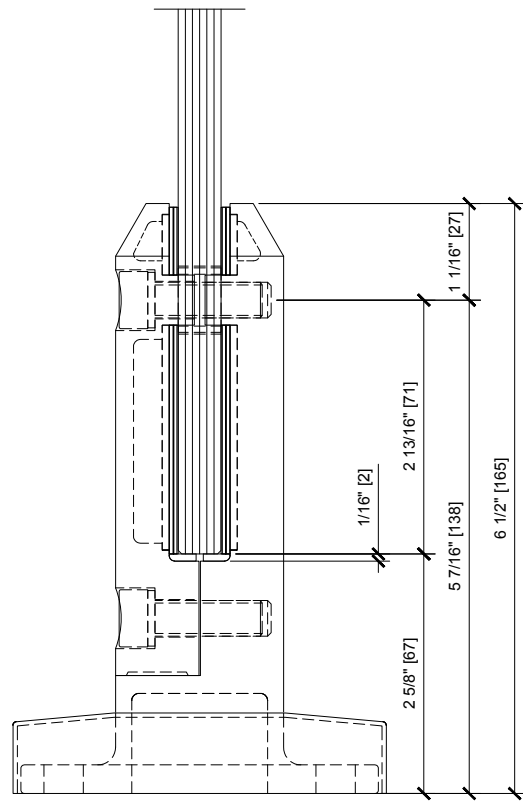
② WINDSCREEN SECTION  
1'-0"=1'-0"

Drawn By: AAD  
Date: 1/15/16  
Scale: AS NOTED  
File Name: Frameless Windscreen Systems.dwg



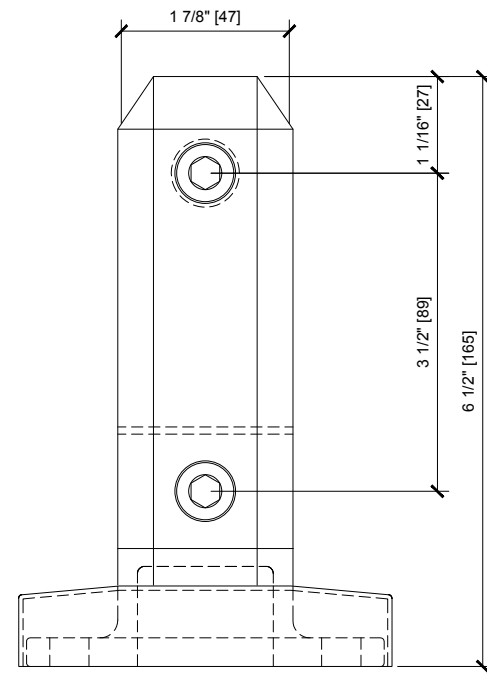
① DWCS20 FRONT VIEW

1'-0"=1'-0"



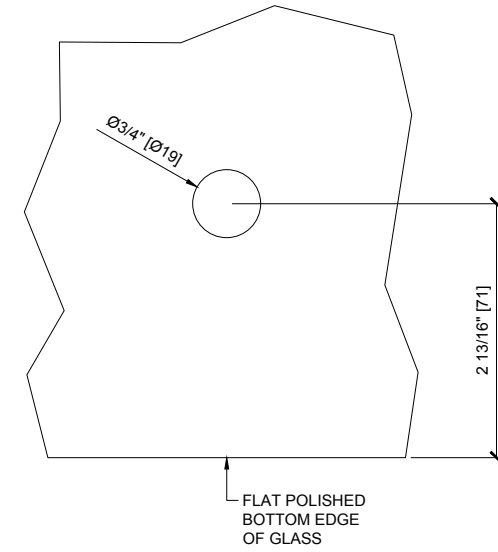
② DWCS20 SIDE VIEW

1'-0"=1'-0"



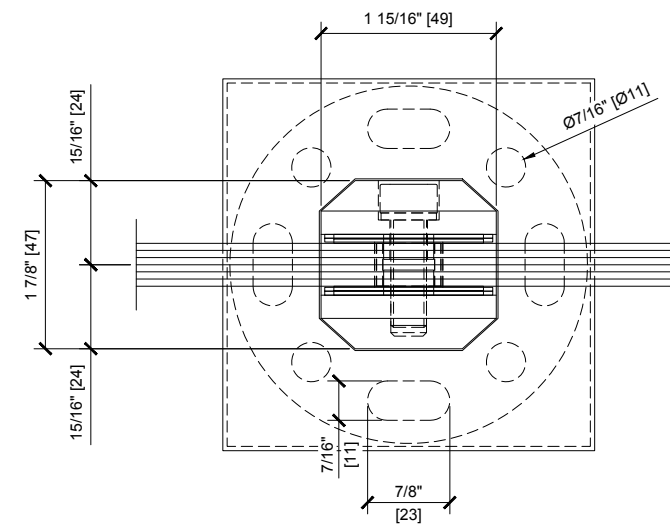
③ DWCS20 REAR VIEW

1'-0"=1'-0"



⑤ GLASS FABRICATION REQUIREMENTS

1'-0"=1'-0"



④ DWCS20 TOP VIEW

1'-0"=1'-0"

Description:

FSC FRAMELESS  
WINDSCREEN SYSTEMS

Drawn By: AAD

Date: 1/15/16

Scale: AS NOTED

File Name:

Frameless Windscreen Systems.dwg

Sheet