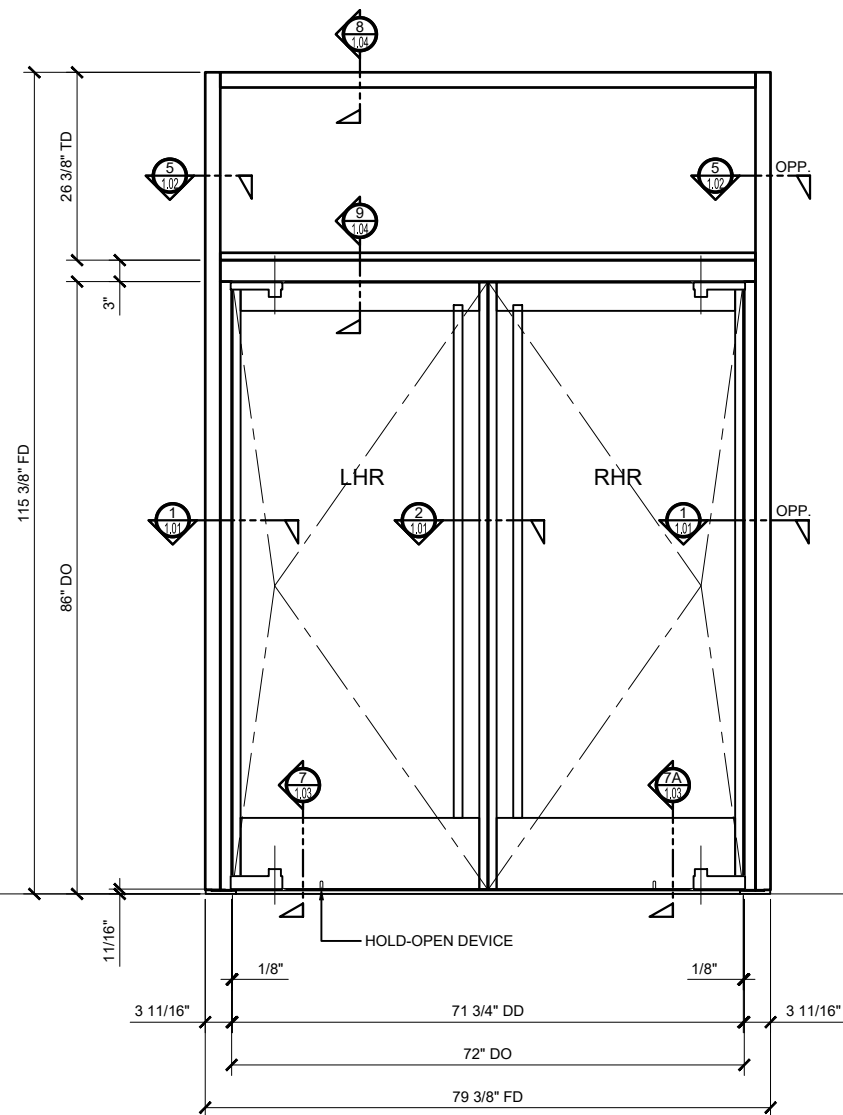
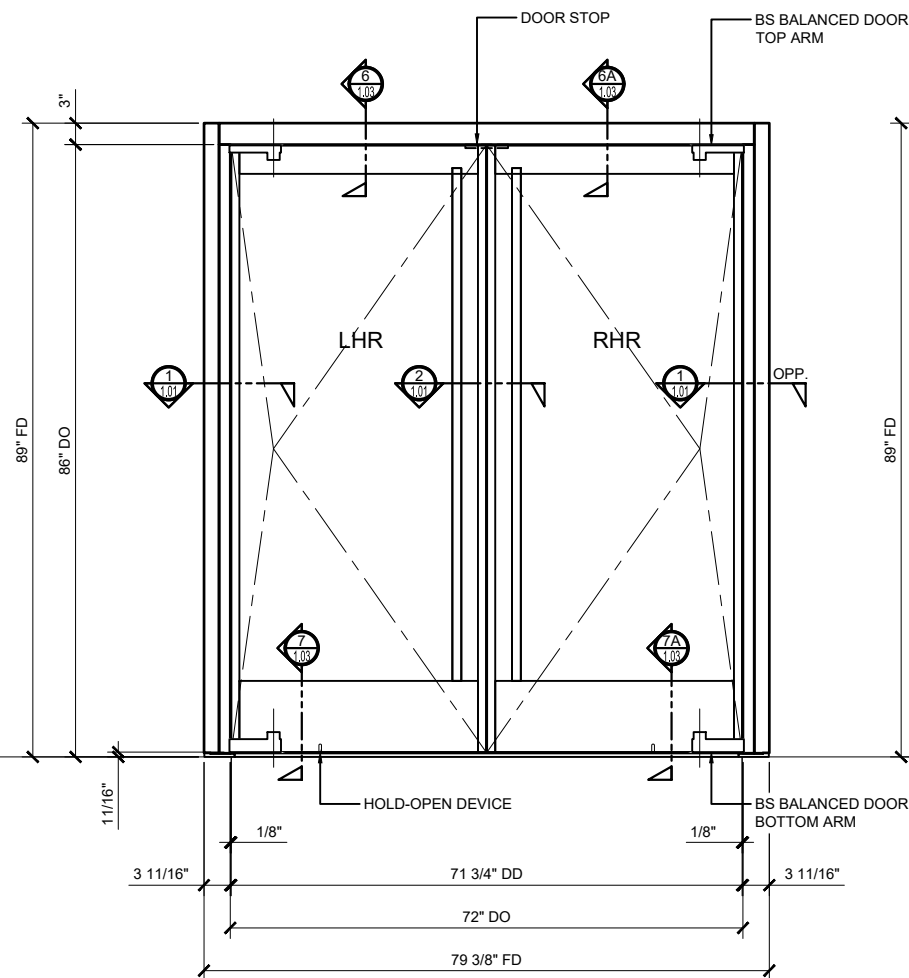


**CRL BALANCER SERIES BALANCED DOOR
ALUMINUM CLAD ALL GLASS WITH MINI STILE & CONCEALED SHAFT**

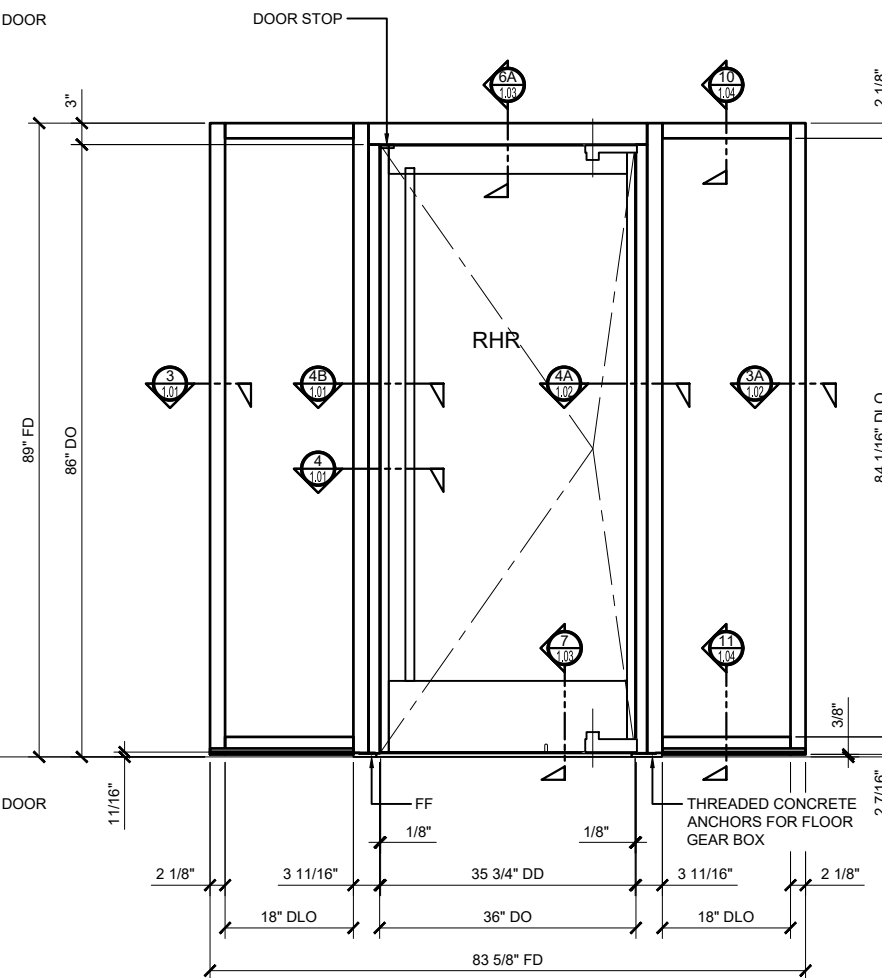
STRUCTURAL DISCLAIMER:
ALL CUSTOMERS WHO IN ANY WAY UTILIZE THIS PRODUCT ARE SOLELY RESPONSIBLE TO CONSULT A STRUCTURAL ENGINEER TO DETERMINE THE SUITABILITY OF THE PRODUCT FOR THE INTENDED USE AND SITE CONDITIONS. ALL INSTALLERS MUST BE QUALIFIED AND HAVE PROFESSIONAL KNOWLEDGE ABOUT COMPLIANCE WITH LOCAL, STATE AND FEDERAL REGULATIONS, SAFETY FACTORS, AND THE APPROPRIATE CHOICE OF FIXING MATERIAL AND PROCEDURES.



**CRL BALANCER SERIES BALANCED DOOR
ALUMINUM CLAD ALL GLASS WITH MINI STILE & CONCEALED SHAFT
PAIR DOORS WITH TRANSOM ELEVATION**

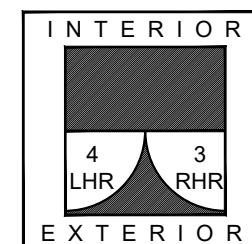


**CRL BALANCER SERIES BALANCED DOOR
ALUMINUM CLAD ALL GLASS WITH MINI STILE & CONCEALED SHAFT
PAIR DOORS ELEVATION**



**CRL BALANCER SERIES BALANCED DOOR
ALUMINUM CLAD ALL GLASS WITH MINI STILE & CONCEALED SHAFT
SINGLE DOOR WITH SIDELITE ELEVATION**

DOOR SWING CHART



STANDARD ABBREVIATIONS

RO	ROUGH OPENING
FD	FRAME DIMENSION
DLO	DAYLIGHT OPENING
DO	DOOR OPENING
DD	DOOR DIMENSION
TD	TRANSOM DIMENSION
FF	FLOOR FIDDING

Revisions By:

CRL

2503 E. Vernon Avenue, Los Angeles, CA 90058-1897
PH: (800)-421-6144 FX: 800-597-7501 www.crlusa.com

Description:
CRL BALANCER SERIES
BALANCED DOOR
ALUMINUM CLAD
ALL GLASS WITH MINI STILE

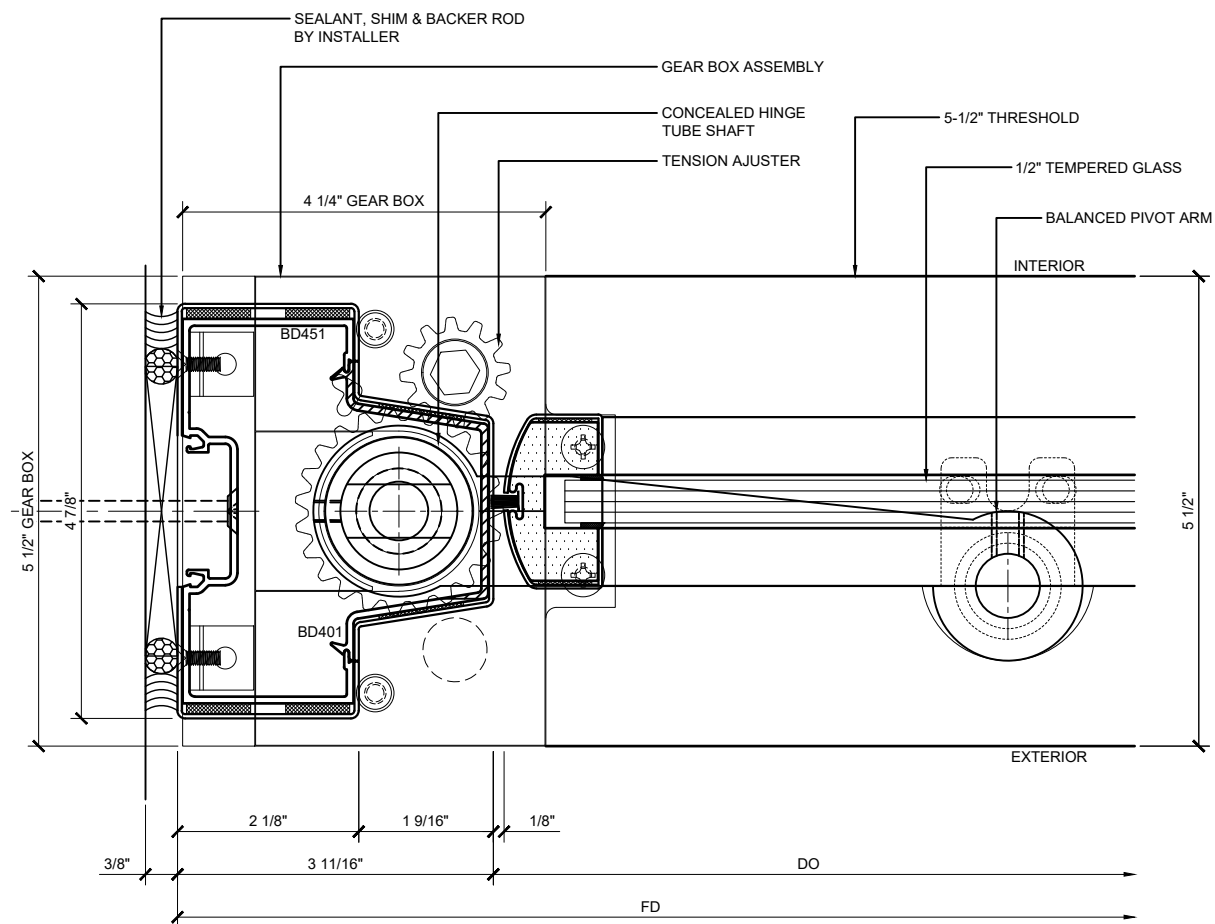
Drawn By: TGM

Date: 11/15/18

Scale: AS NOTED

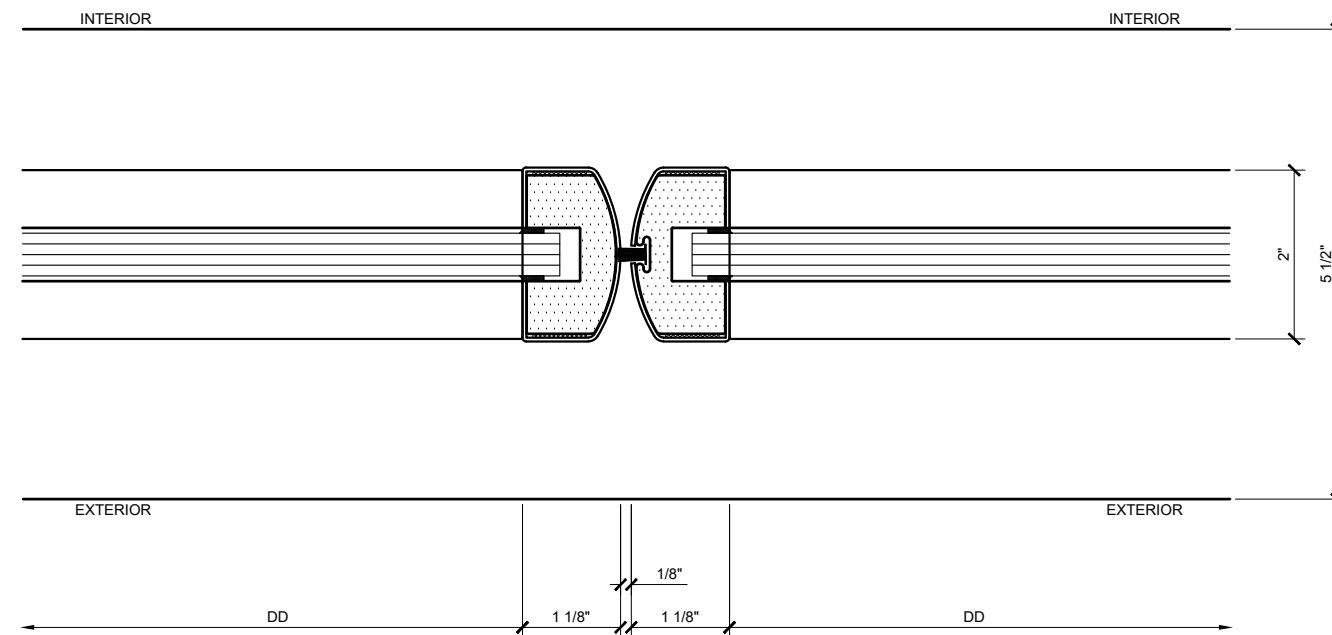
File Name:
BS BD - AL CLAD ALL GLS W/MINI STILE.dwg

Sheet



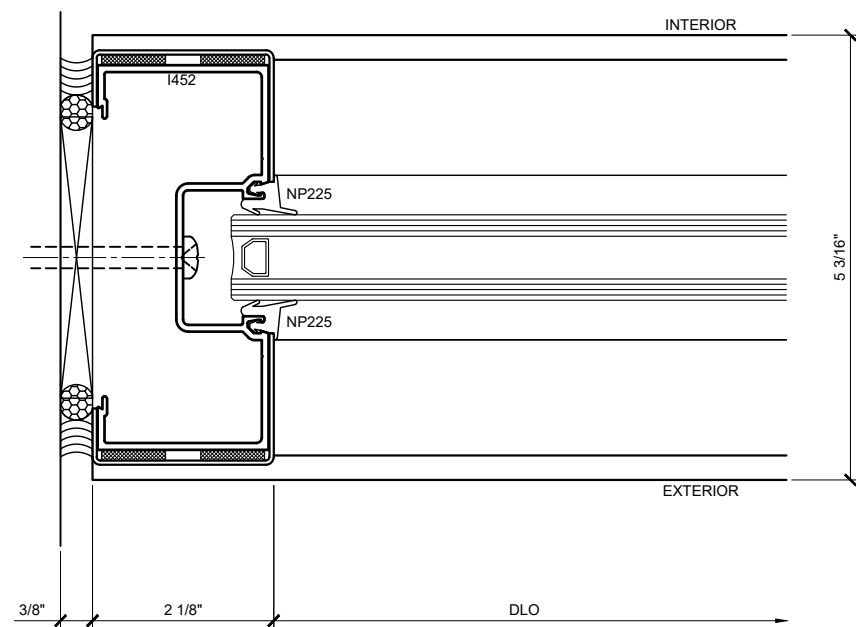
① DOOR PIVOT JAMB DETAIL

ARCH REF: N/A 1'-0"=1'-0"



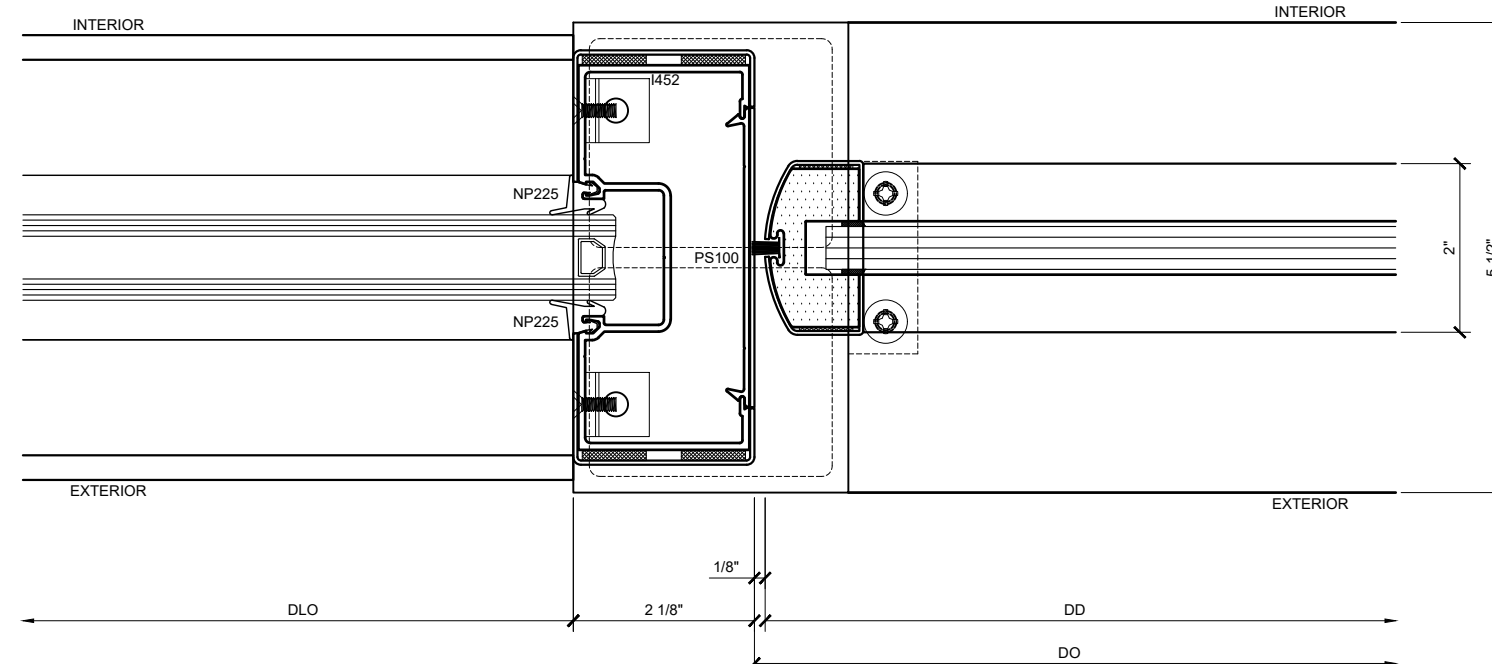
② MEETING STILES DETAIL

ARCH REF: N/A 1'-0"=1'-0"



③ JAMB DETAIL AT SIDELITE

ARCH REF: N/A 1'-0"=1'-0"



④ DOOR STRIKE JAMB AT SIDELITE DETAIL

ARCH REF: N/A 1'-0"=1'-0"

Revisions By:

CRL

2503 E. Vernon Avenue, Los Angeles, CA 90058-1897
PH: (800)-421-6144 FX: 800-587-7501 www.crlusa.com

Description:
CRL BALANCER SERIES
BALANCED DOOR
ALUMINUM CLAD
ALL GLASS WITH MINI STILE

Drawn By: TGM
Date: 11/15/18
Scale: AS NOTED
File Name:
BS BD - AL CLAD ALL GLS W/MINI STILE.dwg

Sheet

1.01

Revisions By:

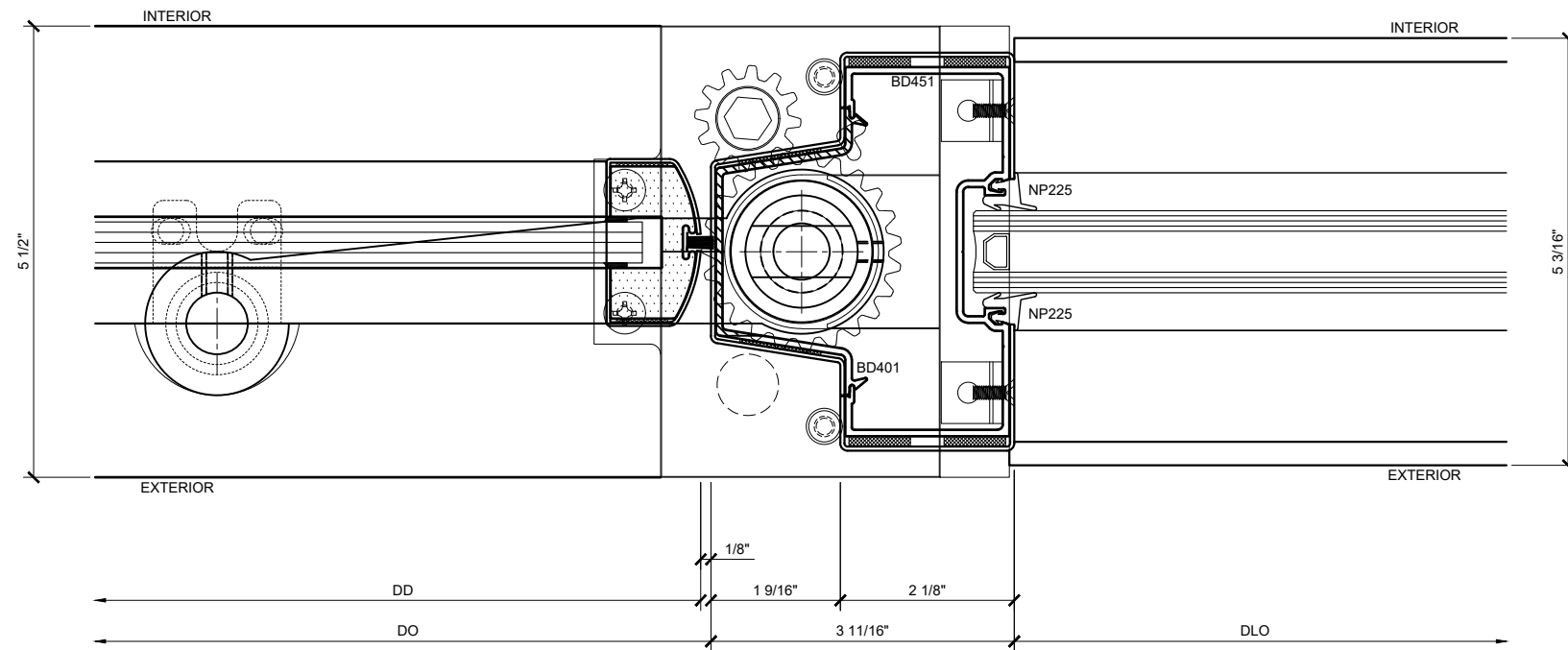
CRL

2503 E. Vernon Avenue, Los Angeles, CA 90058-1897
PH: (800)-421-6144 FX: 800-597-7501 www.crlusa.com

Description:
CRL BALANCER SERIES
BALANCED DOOR
ALUMINUM CLAD
ALL GLASS WITH MINI STILE

Drawn By: TGM
Date: 11/15/18
Scale: AS NOTED
File Name: BS BD - AL CLAD ALL GLS W/MINI STILE.dwg
Sheet

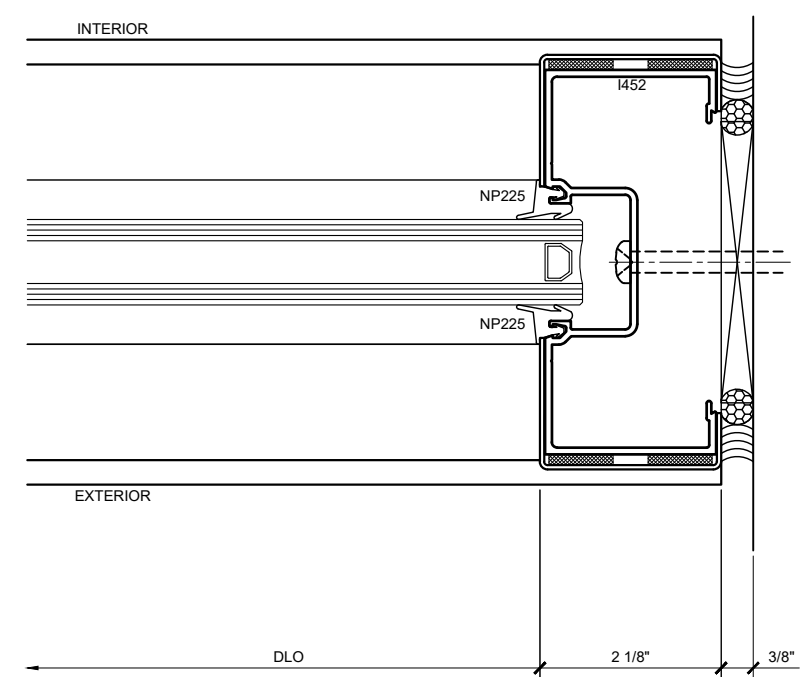
1.02



4A DOOR PIVOT JAMB SIDELITE DETAIL

ARCH REF: N/A

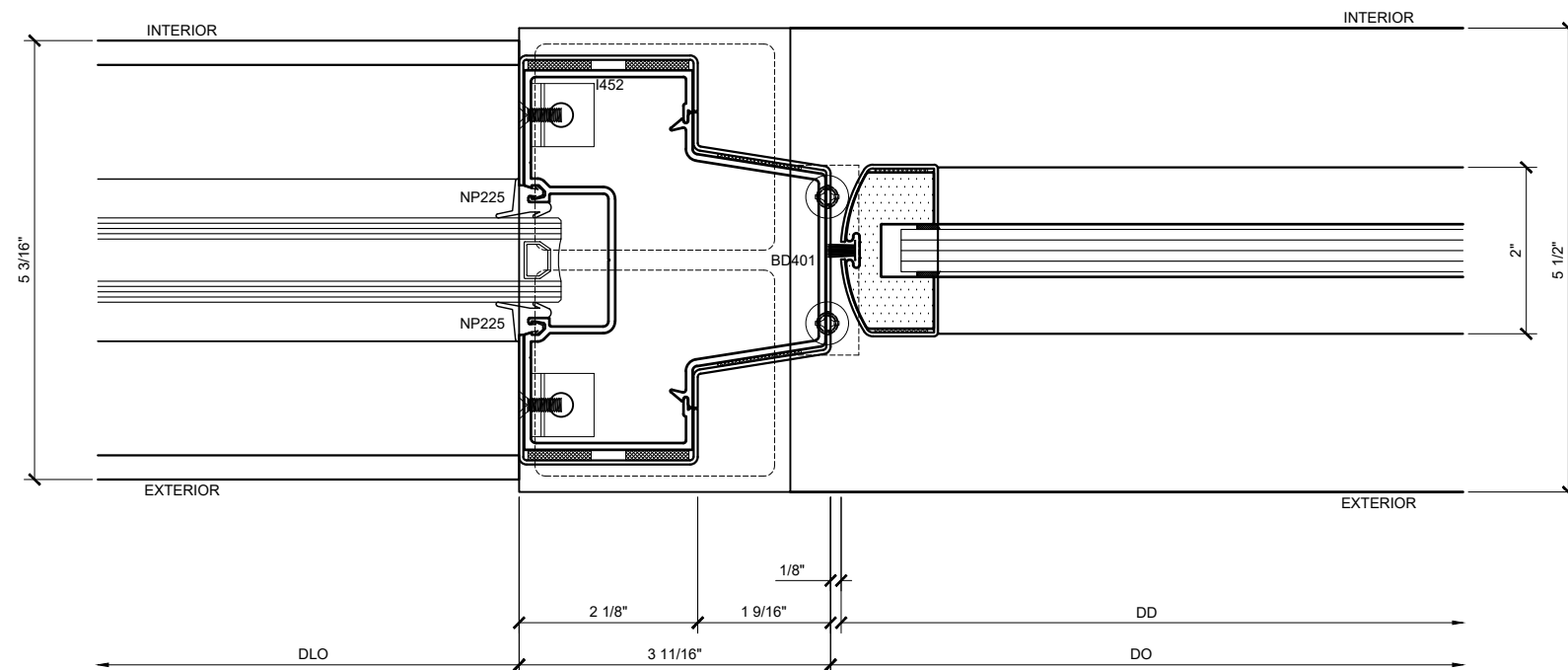
1'-0"=1'-0"



3A JAMB DETAIL

ARCH REF: N/A

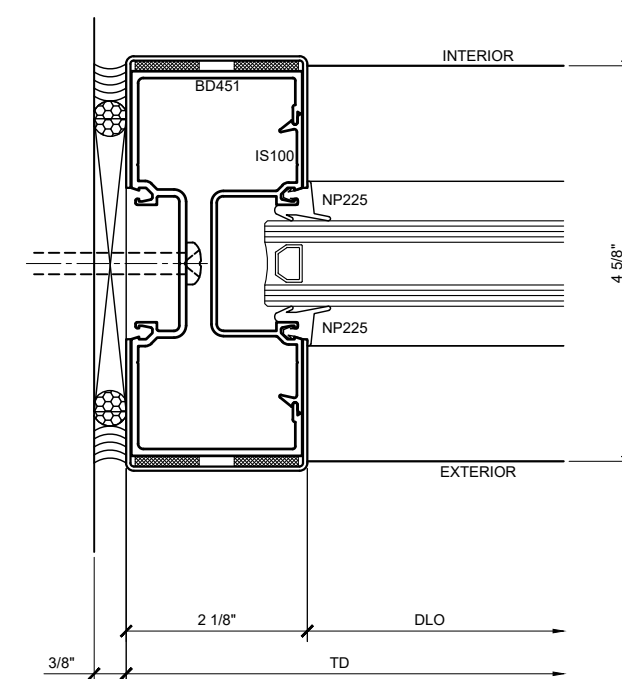
1'-0"=1'-0"



4B DOOR STRIKE JAMB AT SIDELITE DETAIL

ARCH REF: N/A

1'-0"=1'-0"

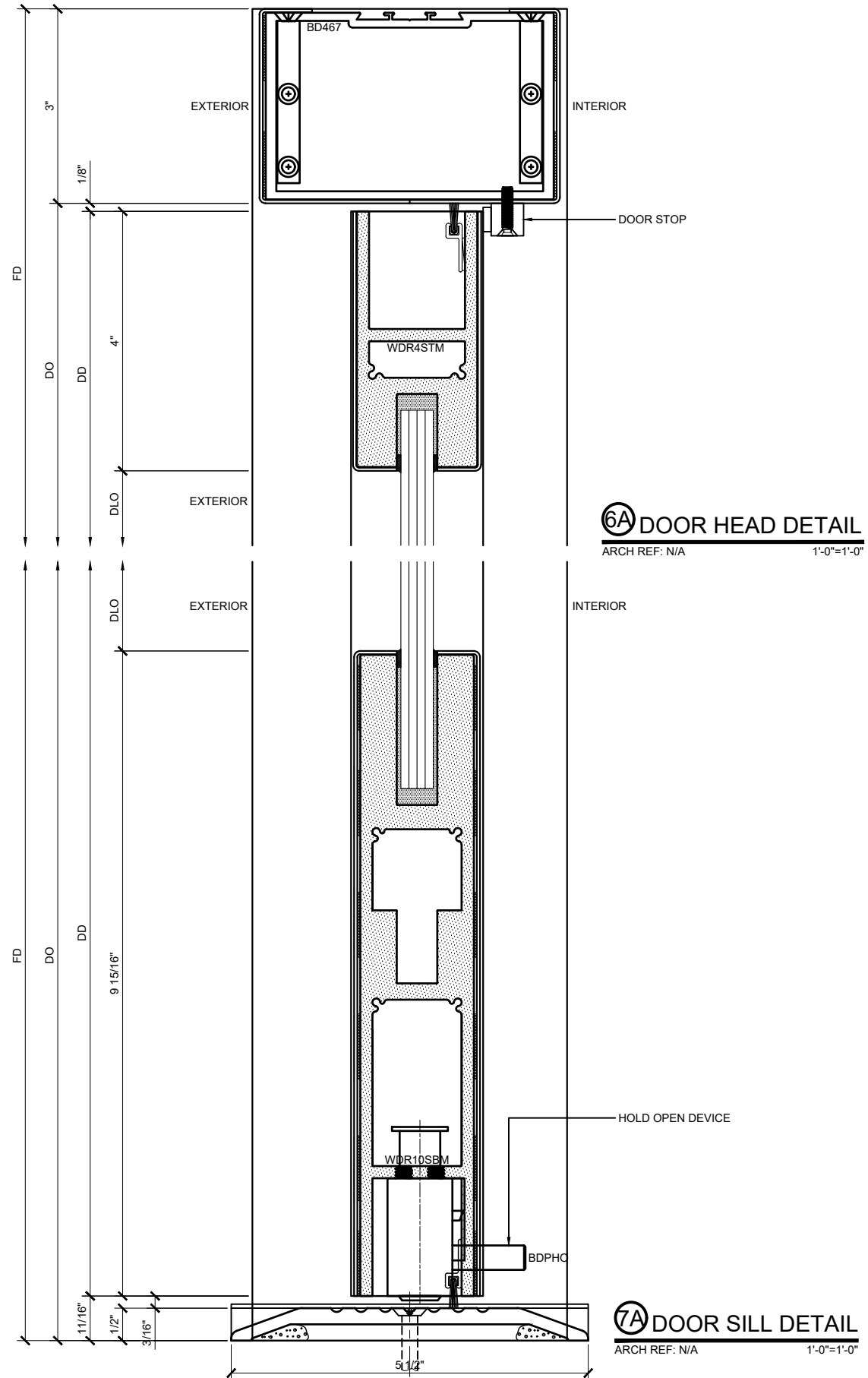
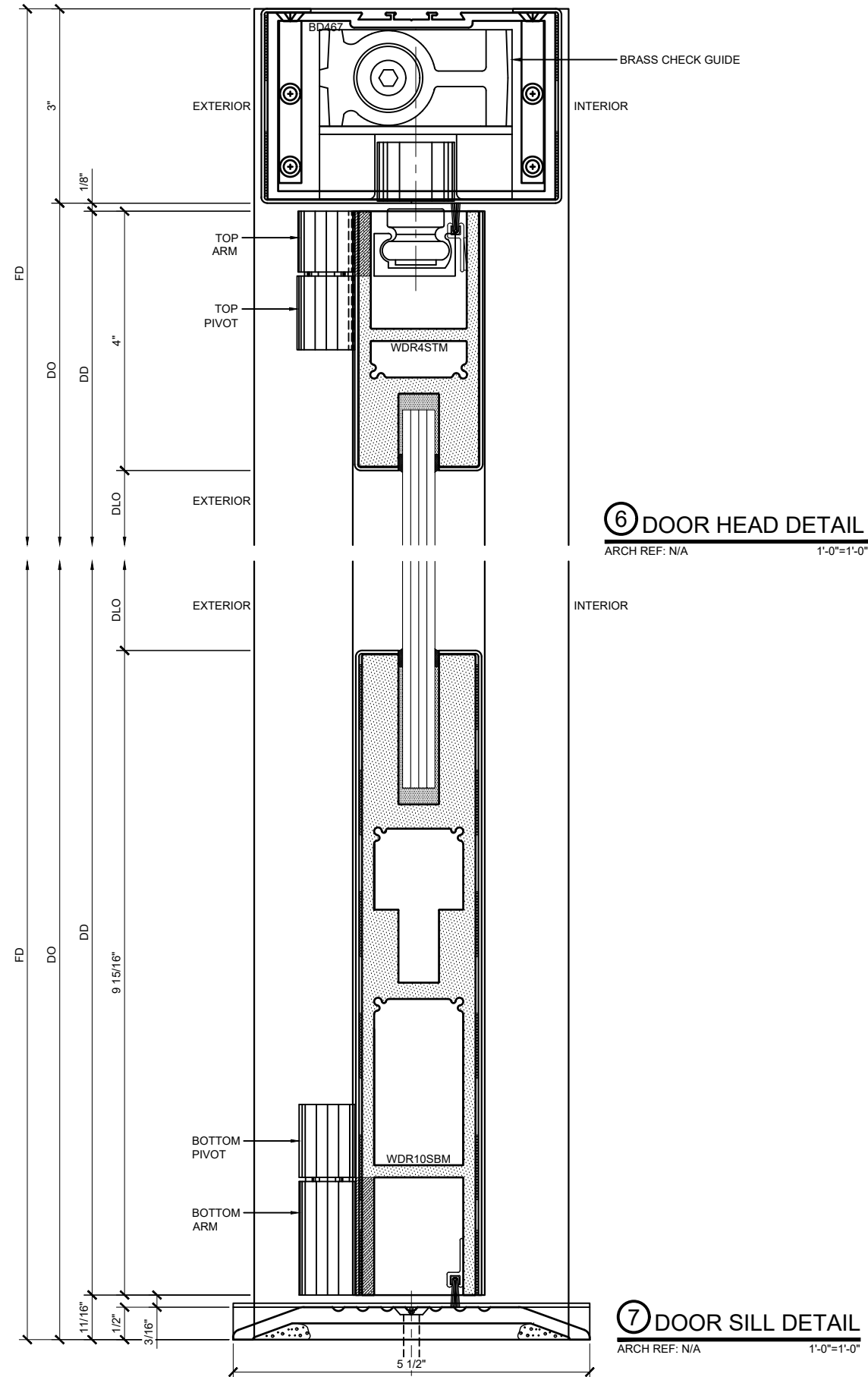


5 TRANSOM DETAIL

ARCH REF: N/A

1'-0"=1'-0"

BALANCER SERIES ALUMINUM CLAD ALL GLASS W/ MINI STILE BALANCED DOORS DETAILS / 4-1/2" JAMB / CONCEALED SHAFT



BALANCER SERIES ALUMINUM CLAD ALL GLASS W/ MINI STILE BALANCED DOORS DETAILS / 4-1/2" JAMB / CONCEALED SHAFT

Revisions By:

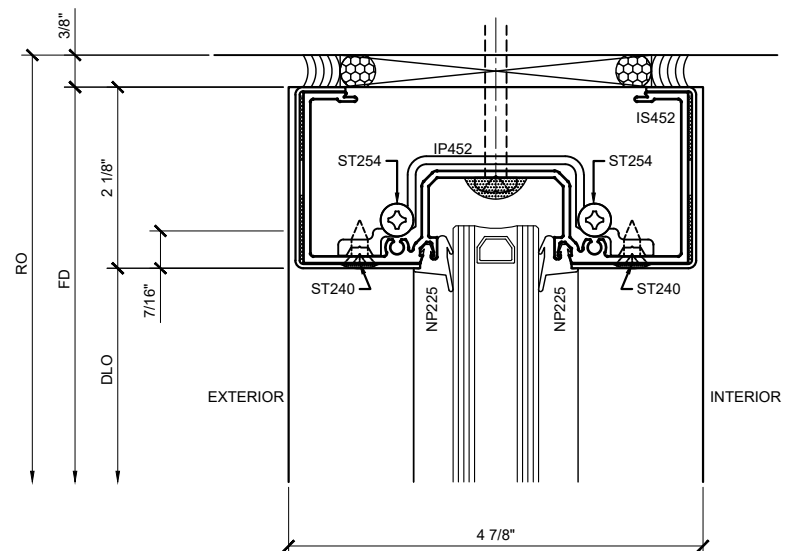
CRL

2503 E. Vernon Avenue, Los Angeles, CA 90058-1897
PH: (800)-421-6144 FX: 800-597-7501 www.crlusa.com

Description:
CRL BALANCER SERIES
BALANCED DOOR
ALUMINUM CLAD
ALL GLASS WITH MINI STILE

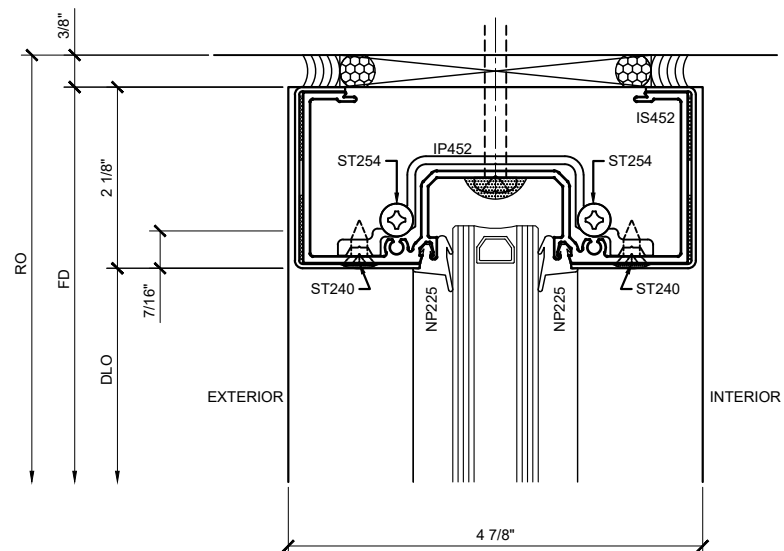
Drawn By: TGM
Date: 11/15/18
Scale: AS NOTED
File Name: BS BD - AL CLAD ALL GLS W/MINI STILE.dwg
Sheet

1.03



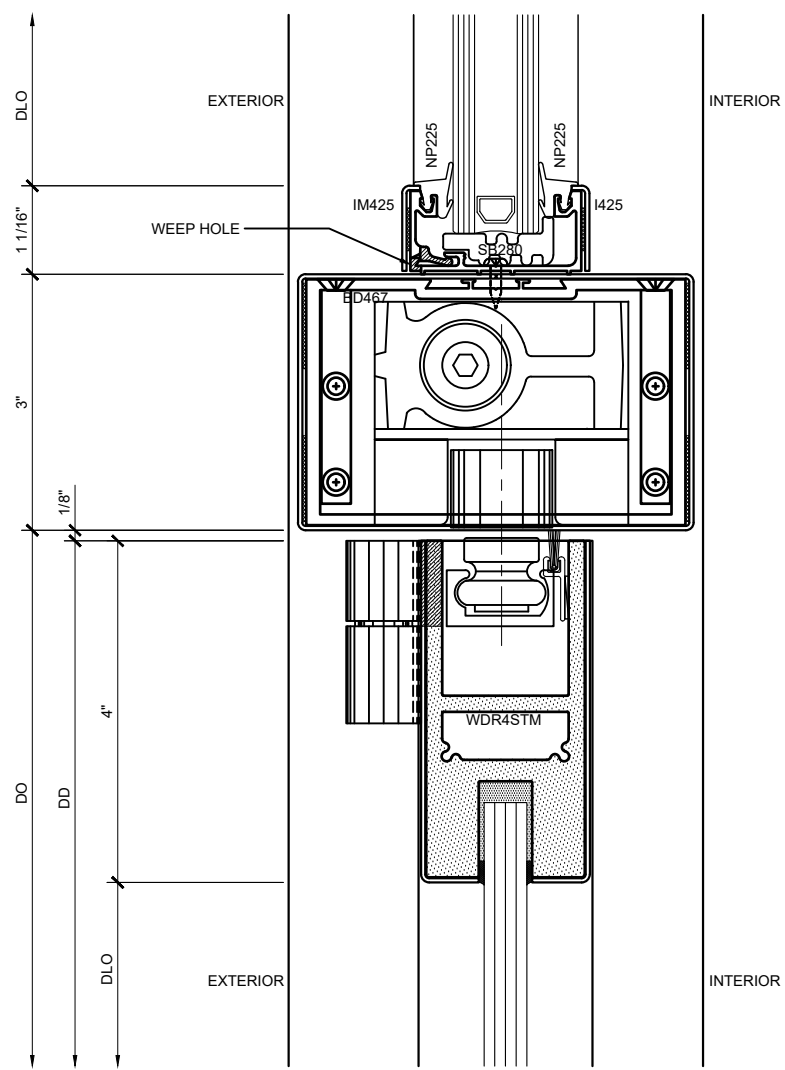
8 HEAD DETAIL

ARCH REF: N/A 1'-0"=1'-0"



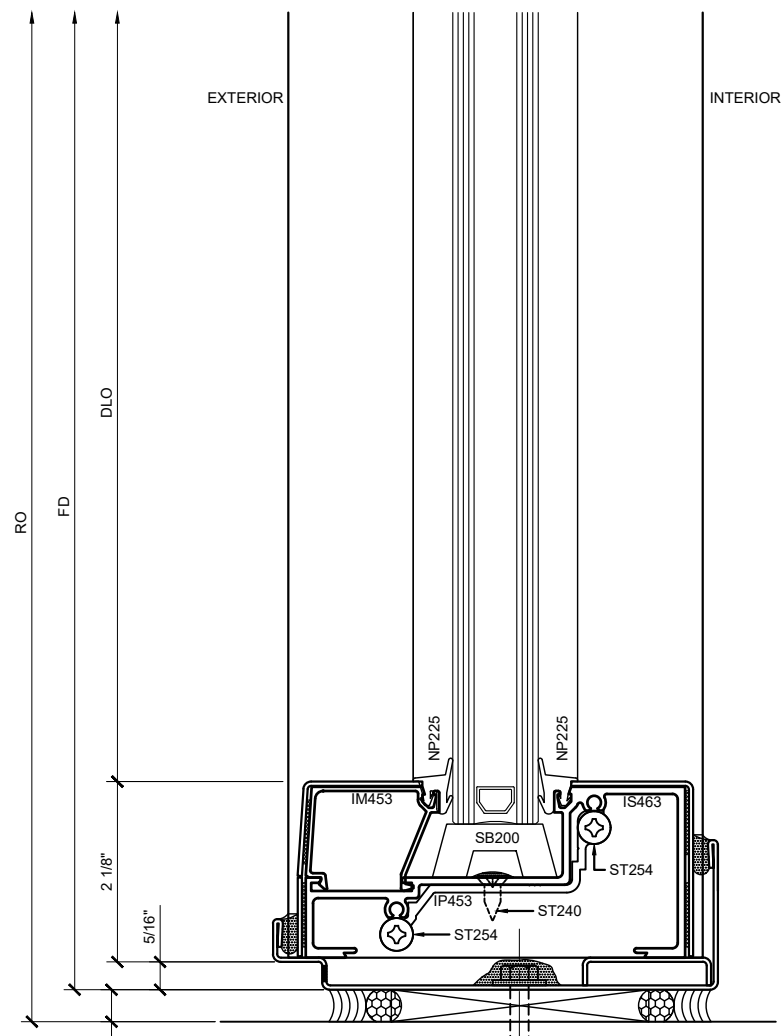
10 HEAD DETAIL

ARCH REF: N/A 1'-0"=1'-0"



9 DOOR HEAD DETAIL AT TRANSOM

ARCH REF: N/A 1'-0"=1'-0"



11 SILL DETAIL AT SIDELITE

ARCH REF: N/A 1'-0"=1'-0"

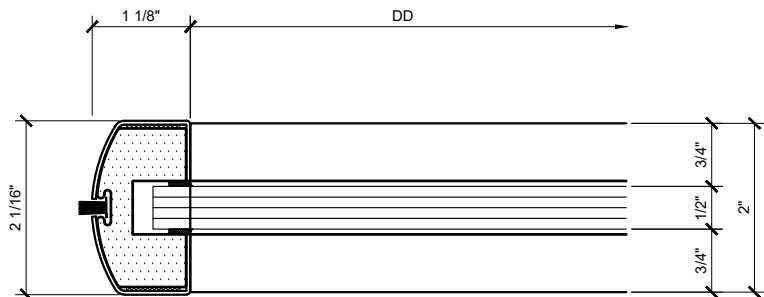
Revisions By:

CRL

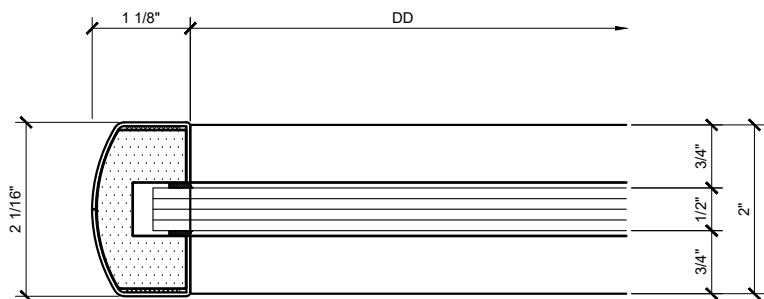
2503 E. Vernon Avenue, Los Angeles, CA 90058-1897
PH: (800)-421-6144 FX: 800-587-7501 www.crlusa.com

Description:
CRL BALANCER SERIES
BALANCED DOOR
ALUMINUM CLAD
ALL GLASS WITH MINI STILE

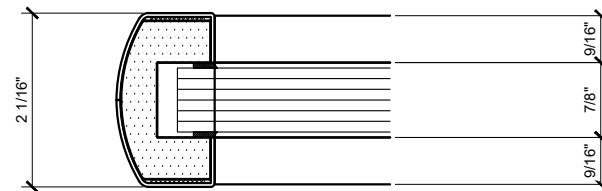
Drawn By: TGM
Date: 11/15/18
Scale: AS NOTED
File Name: BS BD - AL CLAD ALL GLS W/MINI STILE.dwg
Sheet



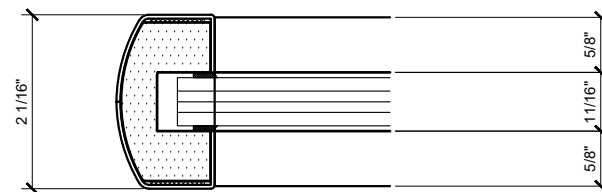
MINI STILE W/BRUSH (SHOWN WITH 1/2" GLASS)



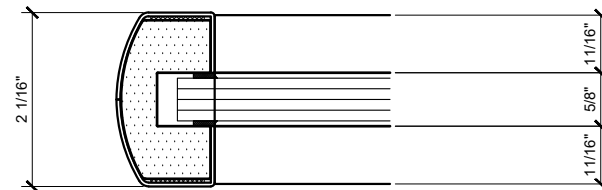
MINI STILE (SHOWN WITH 1/2" GLASS)



3/4" GLASS



9/16" GLASS



1/2" GLASS

GLASS SIZE OPTIONS

Revisions By:

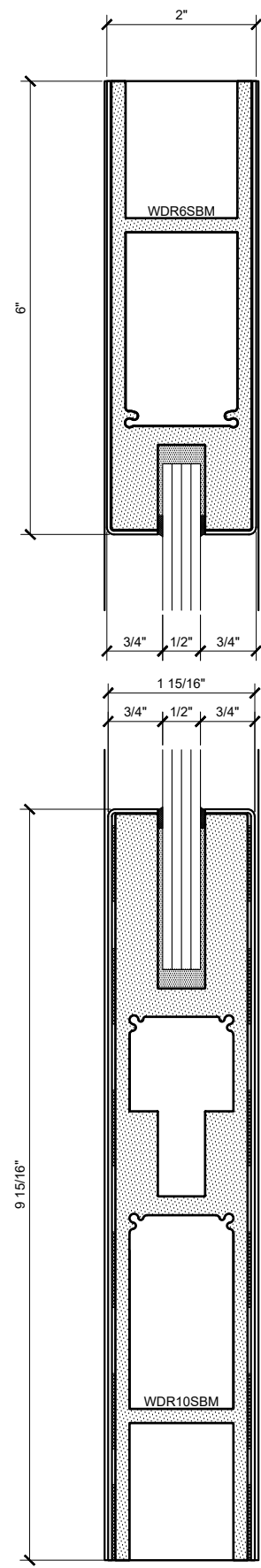
CRL.

2503 E. Vernon Avenue, Los Angeles, CA 90058-1897
PH: (800)-421-6144 FX: 800-597-7501 www.crlusa.com

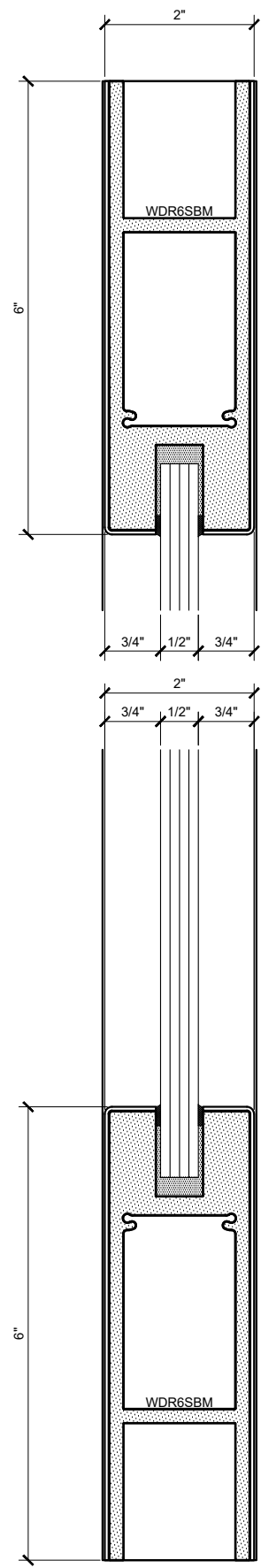
Description:
CRL BALANCER SERIES
BALANCED DOOR
ALUMINUM CLAD
ALL GLASS WITH MINI STILE

Drawn By: TGM
Date: 11/15/18
Scale: AS NOTED
File Name:
BS BD - AL CLAD ALL GLS W/MINI STILE.dwg
Sheet

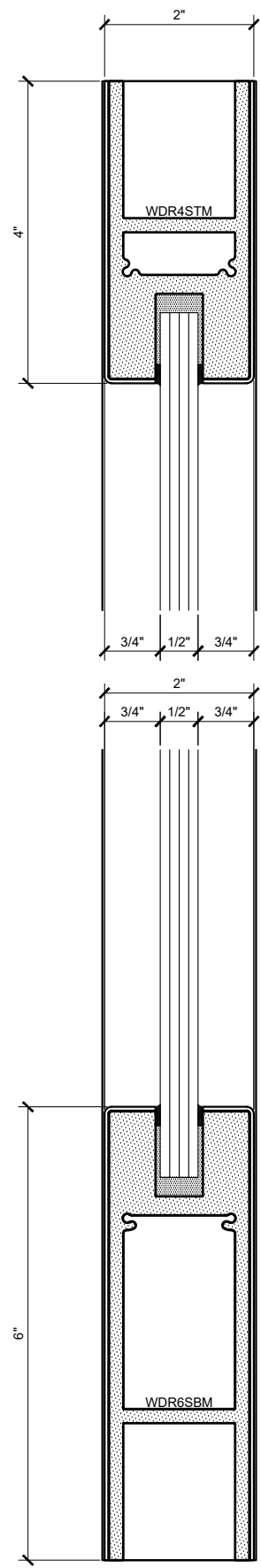
1.05



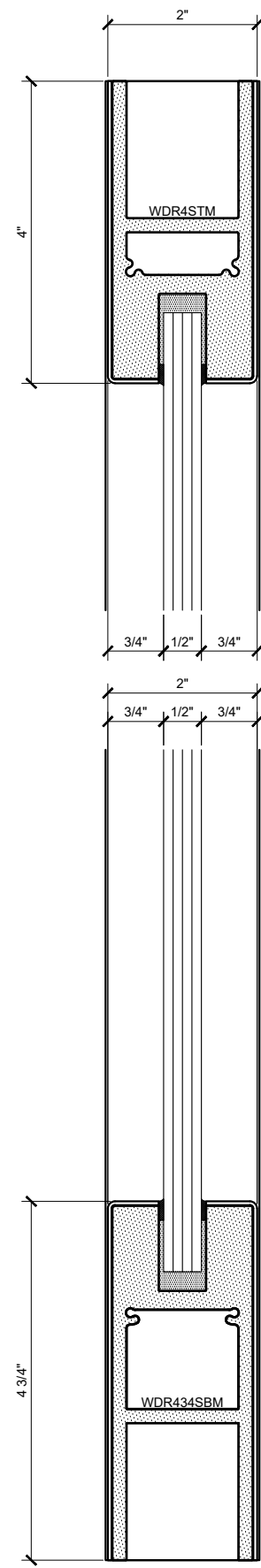
OPTION 1



OPTION 2



OPTION 3



OPTION 4

ALUMINUM CLAD ALL GLASS W/ MINI STILE BALANCED DOOR STANDARD RAILS - GLASS OPTIONS: 3/4", 9/16", 1/2", THICK GLASS

Revisions By:

CRL.

2503 E. Vernon Avenue, Los Angeles, CA 90058-1897
 PH: (800)-421-6144 FX: 800-587-7501 www.crlusa.com

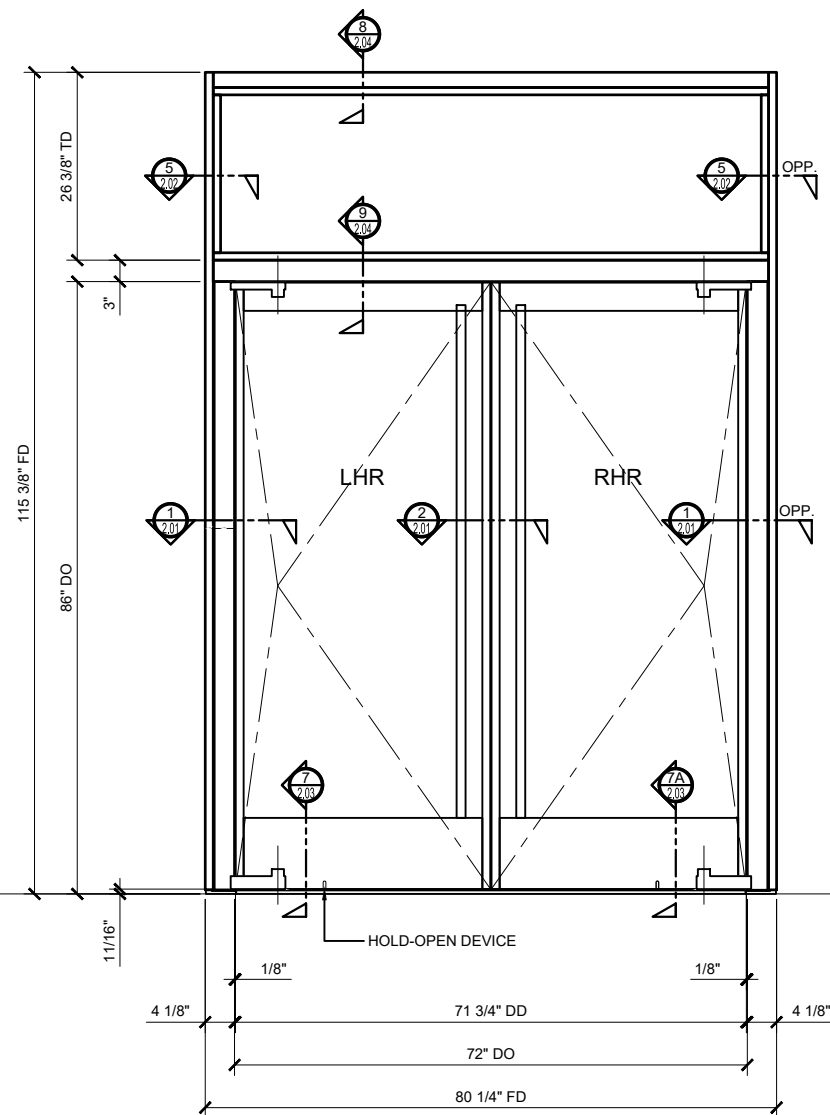
Description:
 CRL BALANCER SERIES
 BALANCED DOOR
 ALUMINUM CLAD
 ALL GLASS WITH MINI STILE

Drawn By: TGM
 Date: 11/15/18
 Scale: AS NOTED
 File Name:
 BS BD - AL CLAD ALL GLS W/MINI STILE.dwg
 Sheet

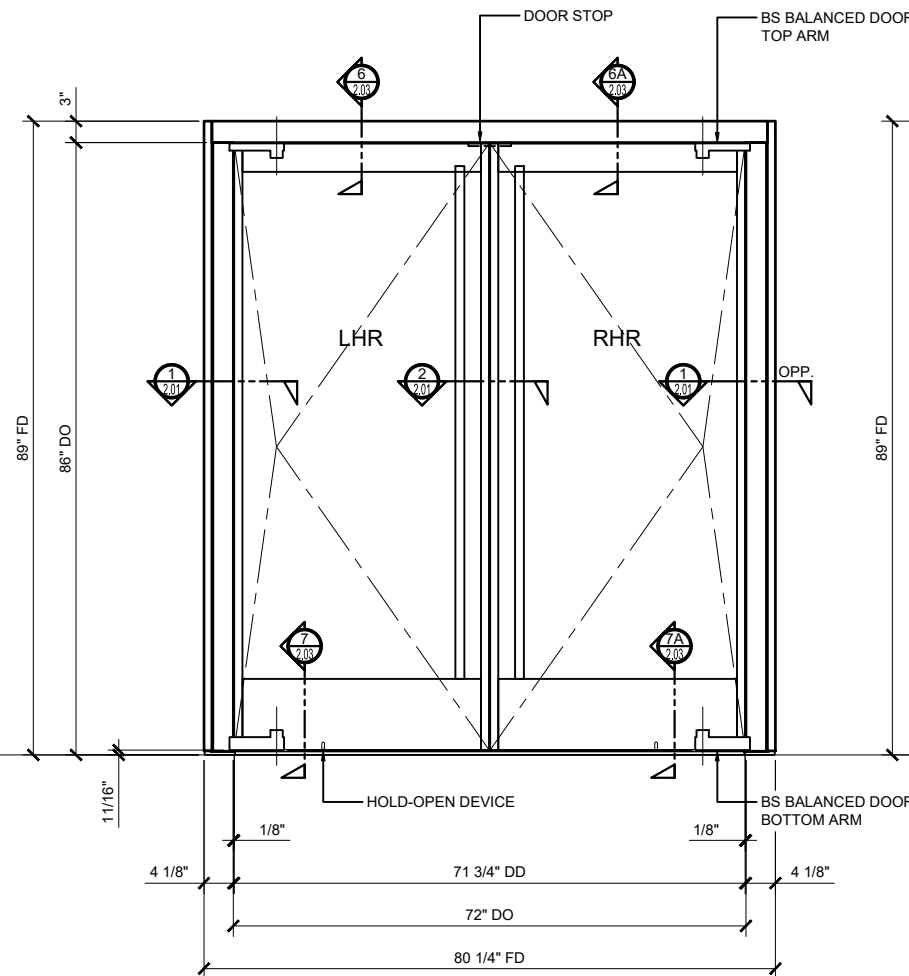
1.06

**CRL BALANCER SERIES BALANCED DOOR
ALUMINUM CLAD ALL GLASS WITH MINI STILE & EXPOSED SHAFT**

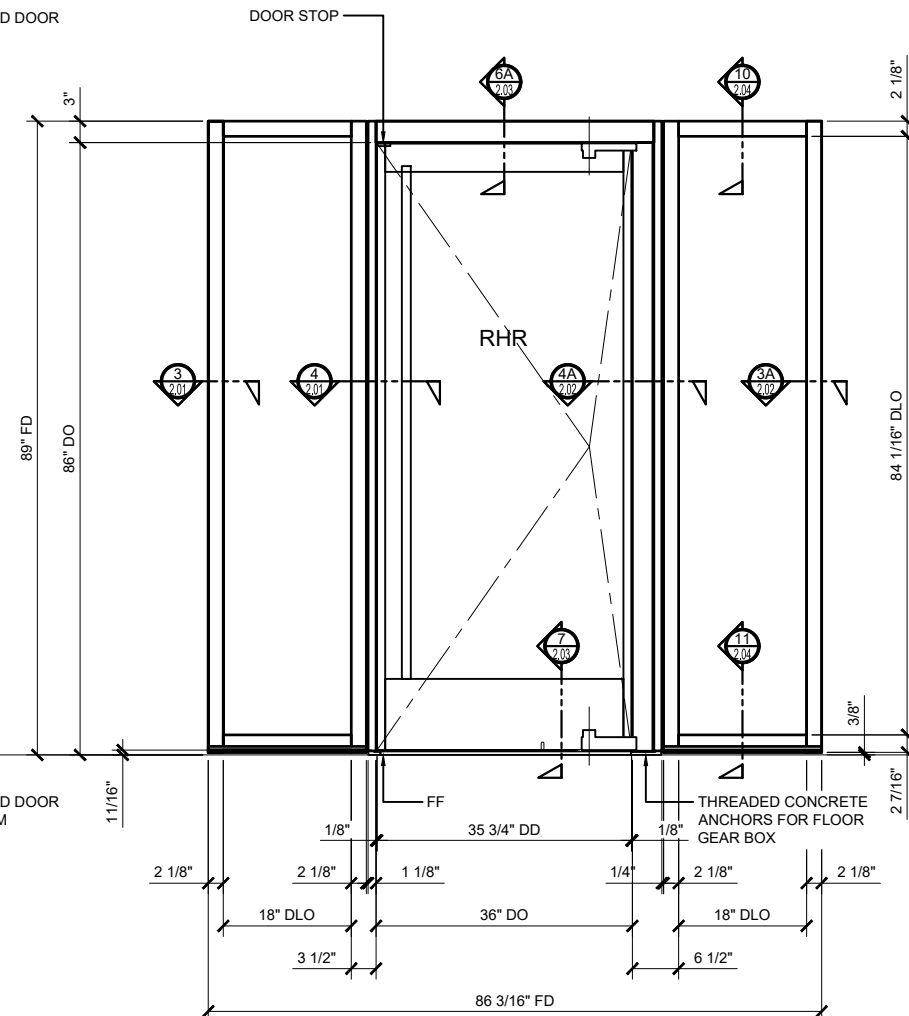
STRUCTURAL DISCLAIMER:
ALL CUSTOMERS WHO IN ANY WAY UTILIZE THIS PRODUCT ARE SOLELY RESPONSIBLE TO CONSULT A STRUCTURAL ENGINEER TO DETERMINE THE SUITABILITY OF THE PRODUCT FOR THE INTENDED USE AND SITE CONDITIONS. ALL INSTALLERS MUST BE QUALIFIED AND HAVE PROFESSIONAL KNOWLEDGE ABOUT COMPLIANCE WITH LOCAL, STATE AND FEDERAL REGULATIONS, SAFETY FACTORS, AND THE APPROPRIATE CHOICE OF FIXING MATERIAL AND PROCEDURES.



**CRL BALANCER SERIES BALANCED DOOR
ALUMINUM CLAD ALL GLASS WITH MINI STILE & EXPOSED SHAFT
PAIR DOORS WITH TRANSOM ELEVATION**

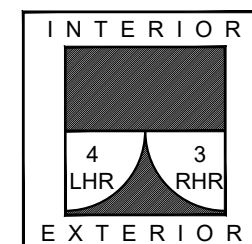


**CRL BALANCER SERIES BALANCED DOOR
ALUMINUM CLAD ALL GLASS WITH MINI STILE & EXPOSED SHAFT
PAIR DOORS ELEVATION**



**CRL BALANCER SERIES BALANCED DOOR
ALUMINUM CLAD ALL GLASS WITH MINI STILE & EXPOSED SHAFT
SINGLE DOOR WITH SIDELITE ELEVATION**

DOOR SWING CHART



STANDARD ABBREVIATIONS	
RO	ROUGH OPENING
FD	FRAME DIMENSION
DLO	DAYLIGHT OPENING
DO	DOOR OPENING
DD	DOOR DIMENSION
TD	TRANSOM DIMENSION
FF	FLOOR FIDDING

Revisions By:

CRL.

2503 E. Vernon Avenue, Los Angeles, CA 90058-1897
PH: (800)-421-6144 FX: 800-597-7501 www.crlusa.com

Description:
CRL BALANCER SERIES
BALANCED DOOR
ALUMINUM CLAD
ALL GLASS WITH MINI STILE

Drawn By: TGM
Date: 11/15/18
Scale: AS NOTED
File Name: BS BD - AL CLAD ALL GLS W/MINI STILE.dwg

Sheet

Revisions By:

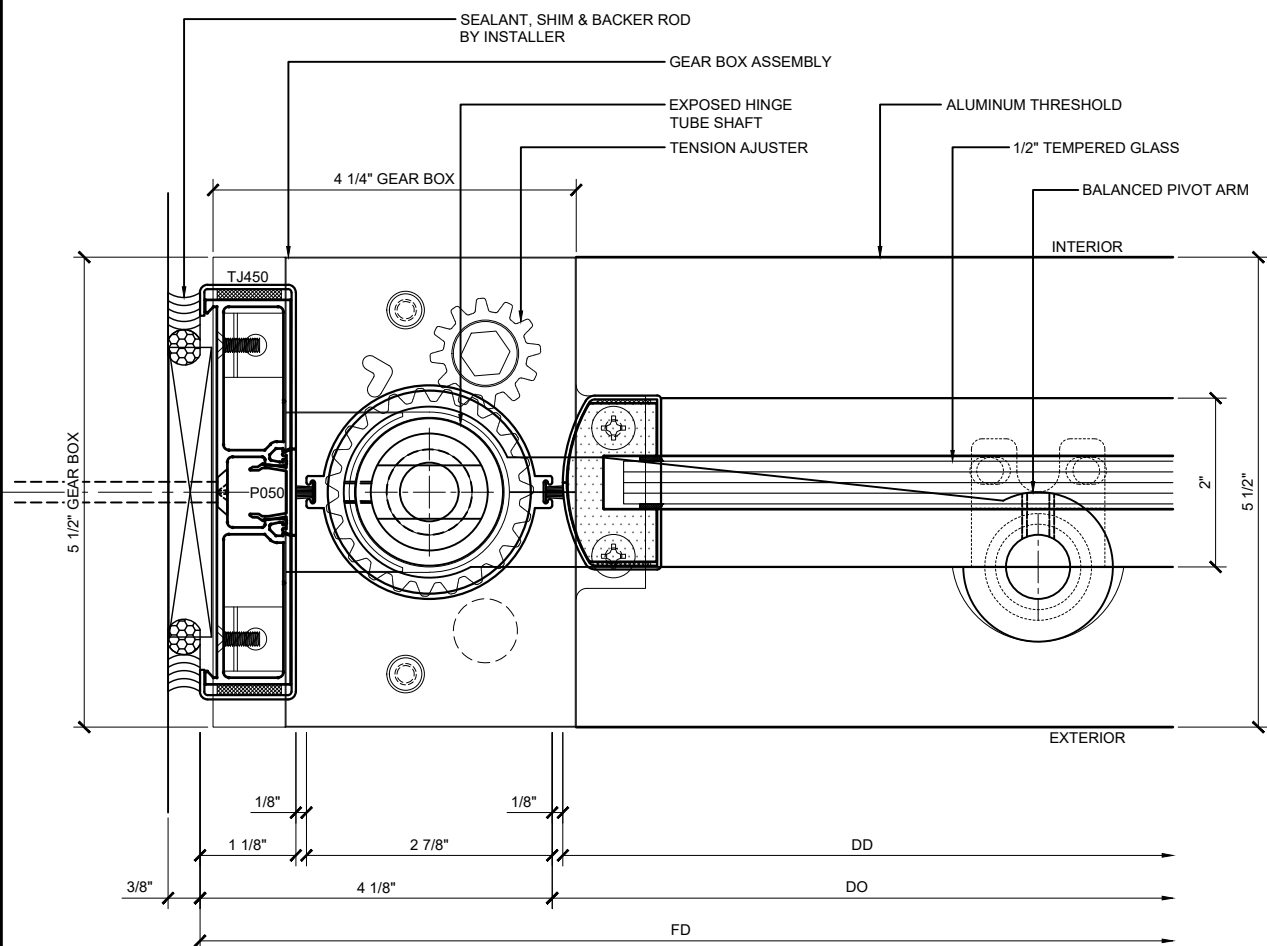
CRL

2503 E. Vernon Avenue, Los Angeles, CA 90058-1897
PH: (800)-421-6144 FX: 800-587-7501 www.crlusa.com

Description:
CRL BALANCER SERIES
BALANCED DOOR
ALUMINUM CLAD
ALL GLASS WITH MINI STILE

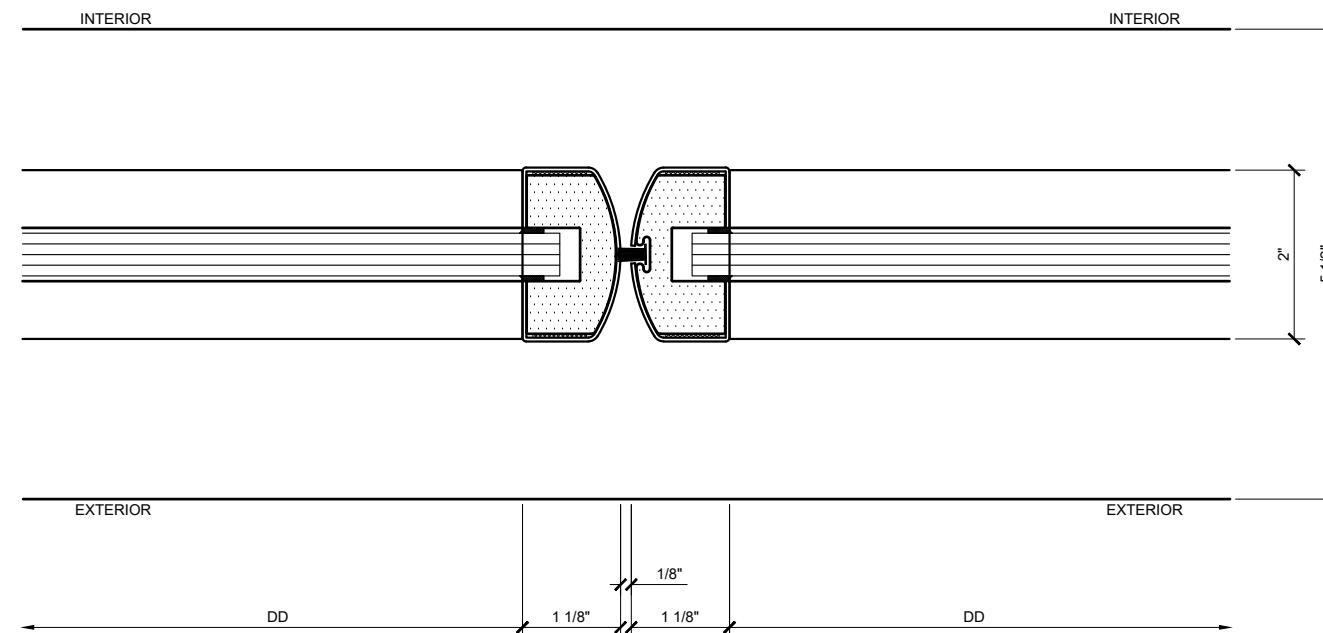
Drawn By: TGM
Date: 11/15/18
Scale: AS NOTED
File Name:
BS BD - AL CLAD ALL GLS W/MINI STILE.dwg
Sheet

2.01



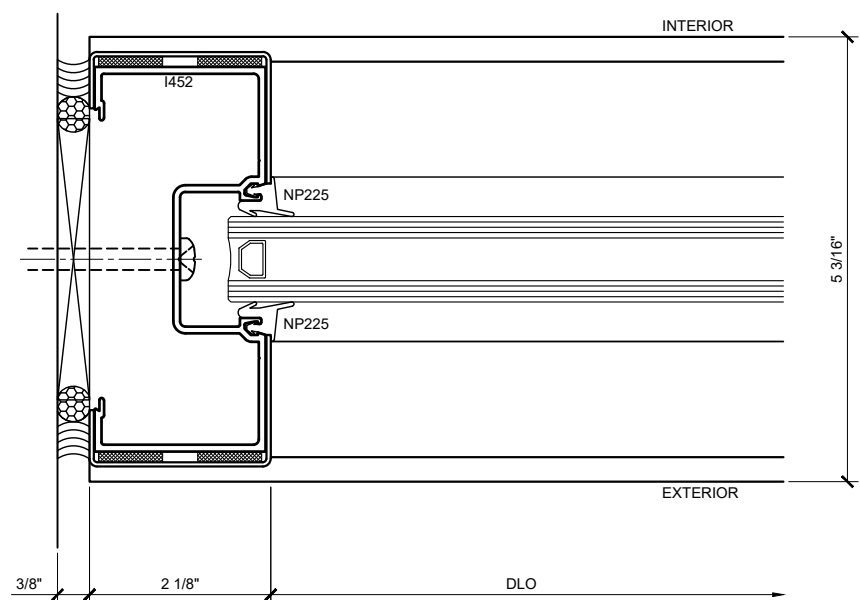
① DOOR PIVOT JAMB DETAIL

ARCH REF: N/A 1'-0"=1'-0"



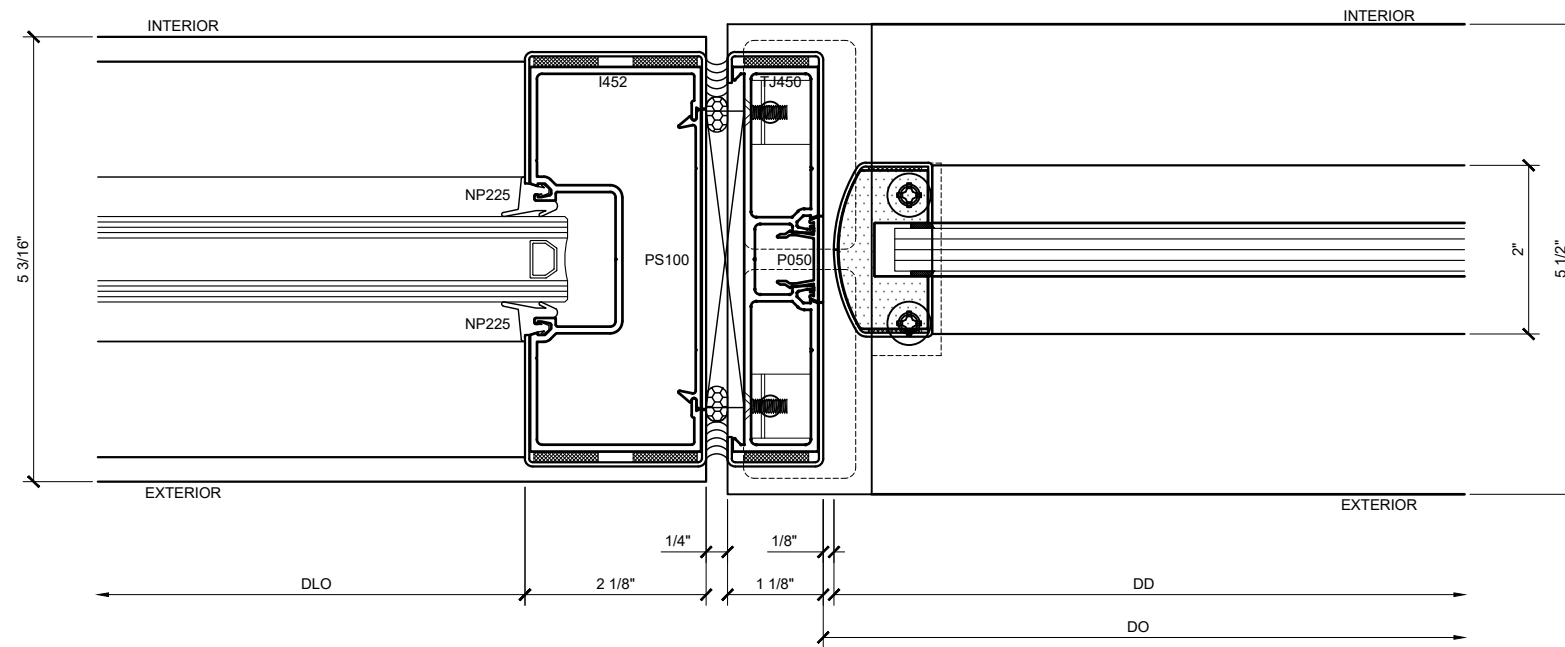
② MEETING STILES DETAIL

ARCH REF: N/A 1'-0"=1'-0"



③ JAMB DETAIL AT SIDELITE

ARCH REF: N/A 1'-0"=1'-0"



④ DOOR STRIKE JAMB AT SIDELITE DETAIL

ARCH REF: N/A 1'-0"=1'-0"

Revisions By:

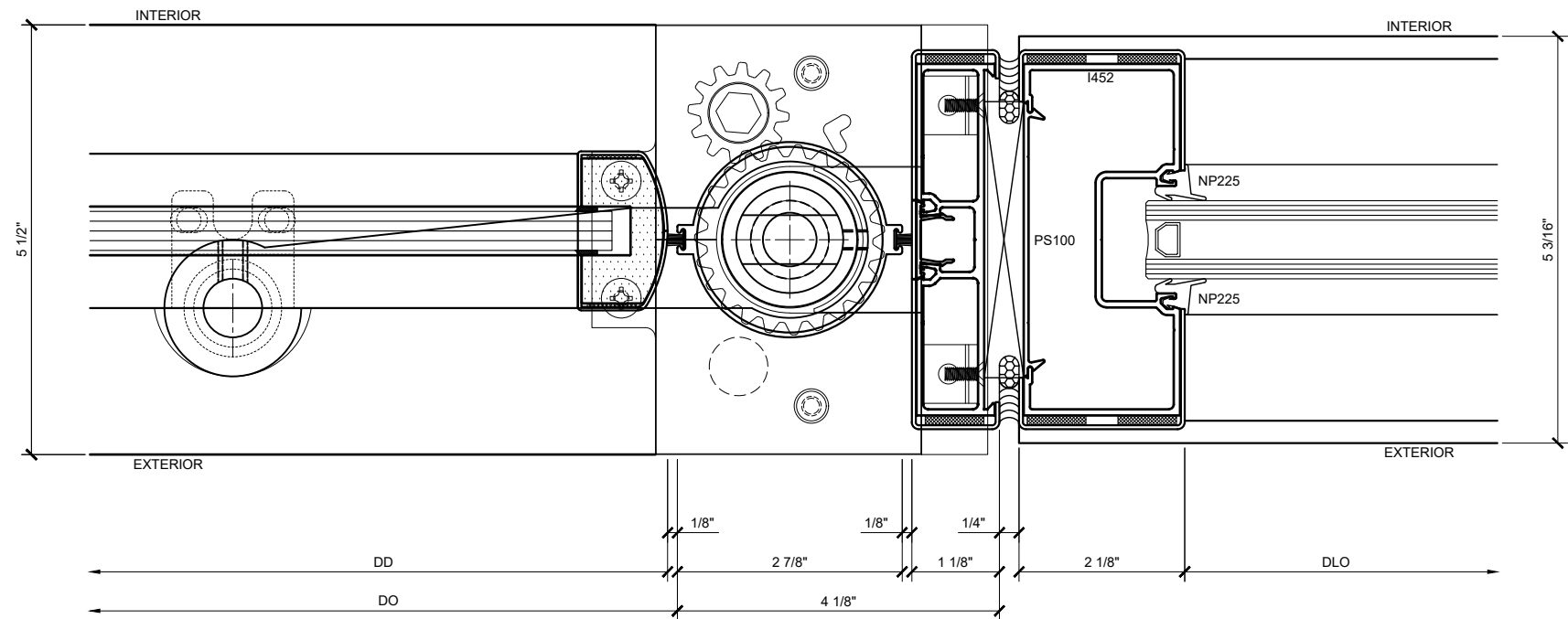
CRL

2503 E. Vernon Avenue, Los Angeles, CA 90058-1897
PH: (800)-421-6144 FX: 800-597-7501 www.crlaurence.com

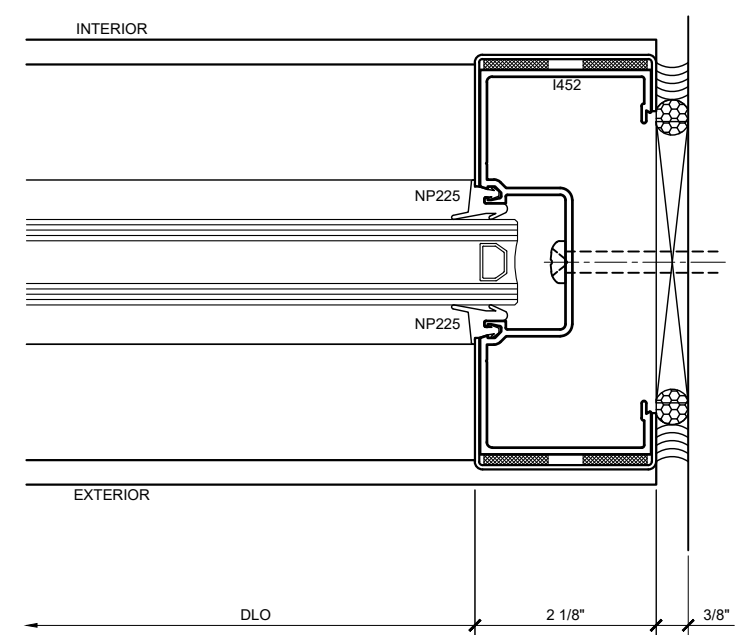
Description:
CRL BALANCER SERIES
BALANCED DOOR
ALUMINUM CLAD
ALL GLASS WITH MINI STILE

Drawn By: TGM
Date: 11/15/18
Scale: AS NOTED
File Name:
BS BD - AL CLAD ALL GLS W/MINI STILE.dwg
Sheet

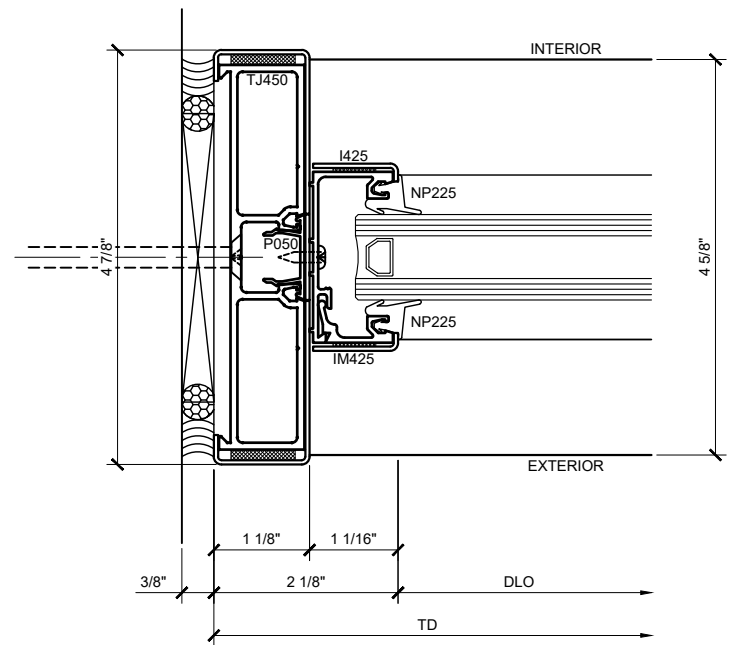
2.02



4A DOOR PIVOT JAMB SIDELITE DETAIL
ARCH REF: N/A 1'-0"=1'-0"

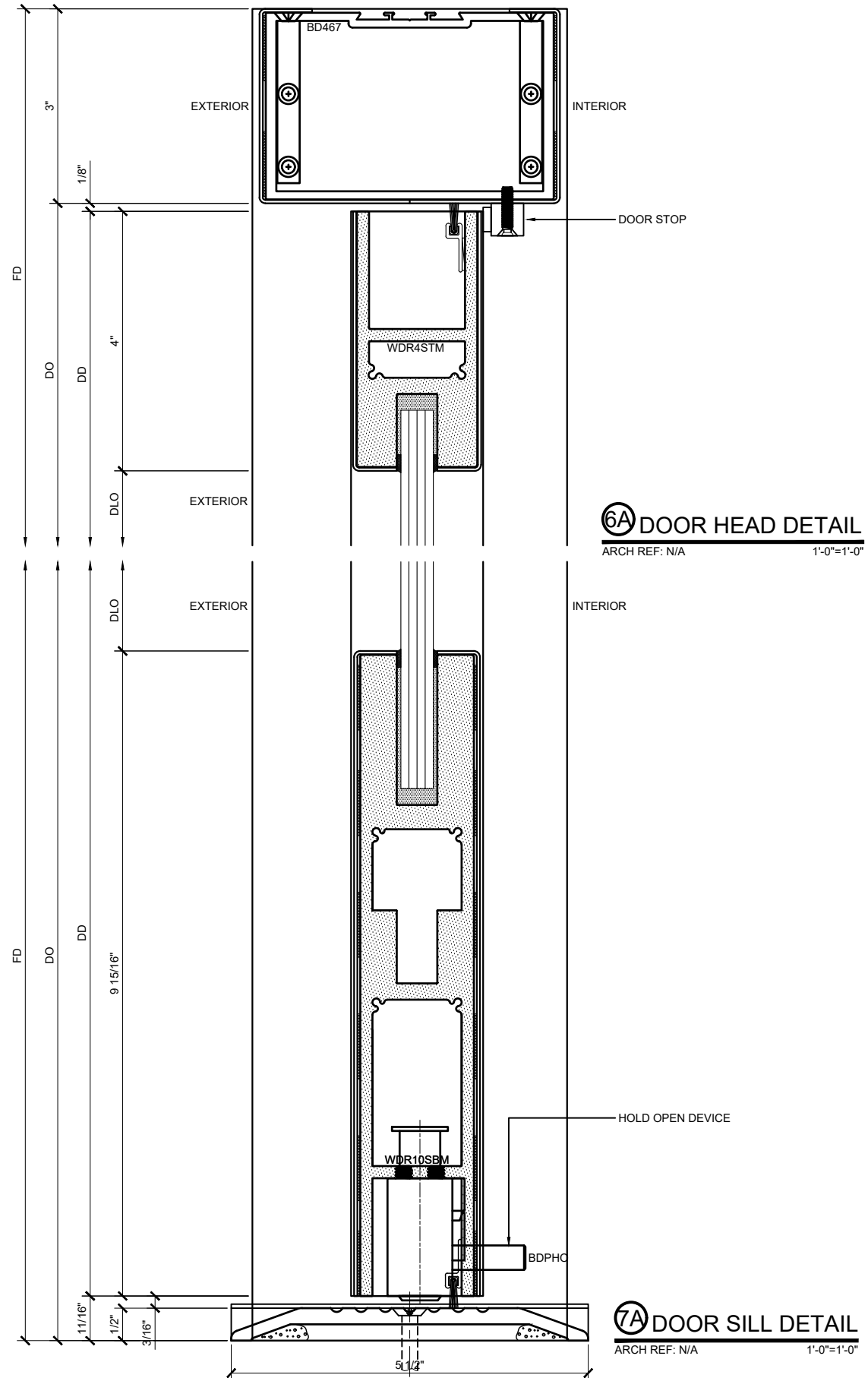
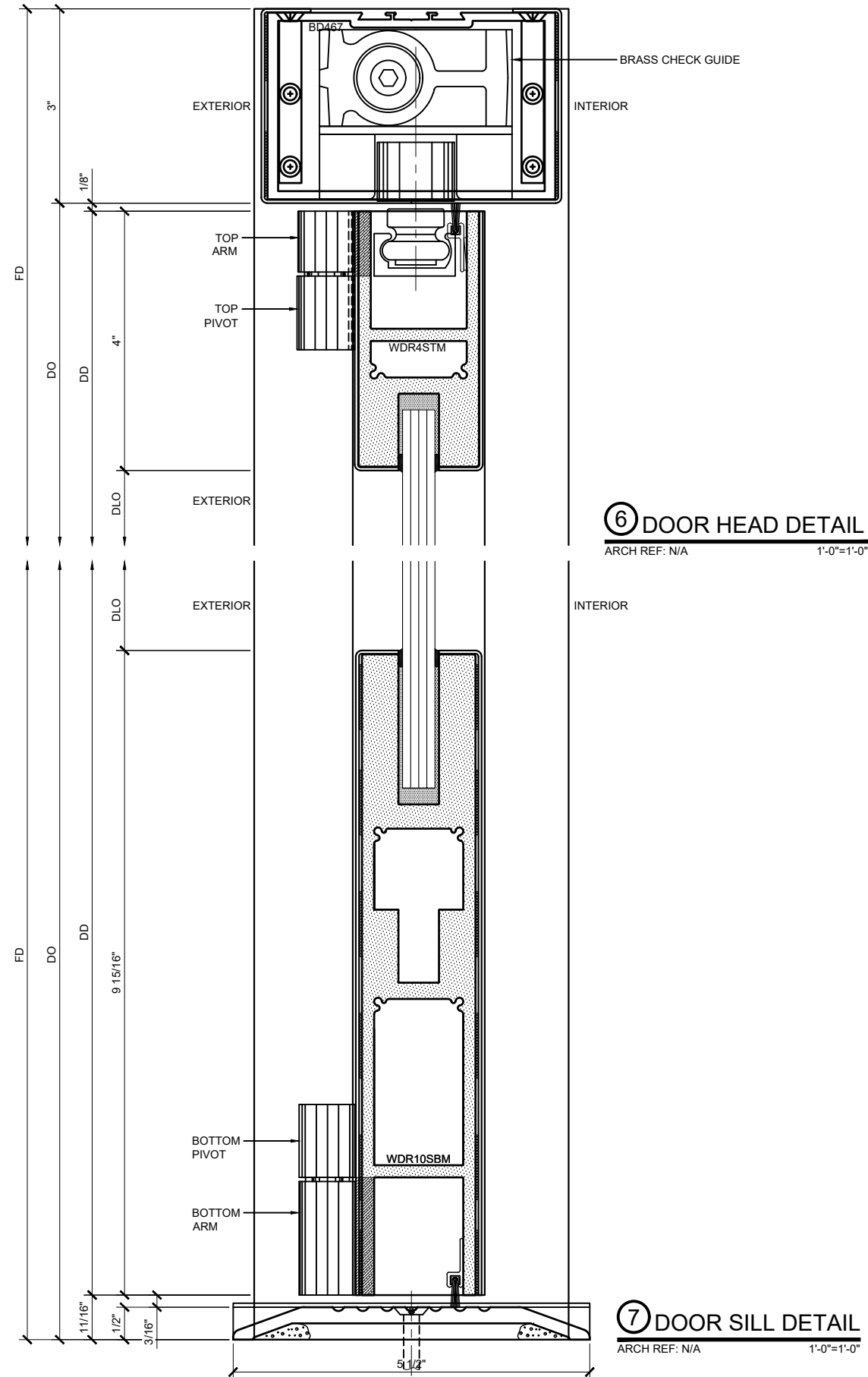


3A JAMB DETAIL
ARCH REF: N/A 1'-0"=1'-0"



5 TRANSOM DETAIL
ARCH REF: N/A 1'-0"=1'-0"

BALANCER SERIES ALUMINUM CLAD ALL GLASS W/ MINI STILE BALANCED DOORS DETAILS / 4-1/2" JAMB / EXPOSED SHAFT



BALANCER SERIES ALUMINUM CLAD ALL GLASS W/ MINI STILE BALANCED DOORS DETAILS / 4-1/2" JAMB / EXPOSED SHAFT

Revisions By:

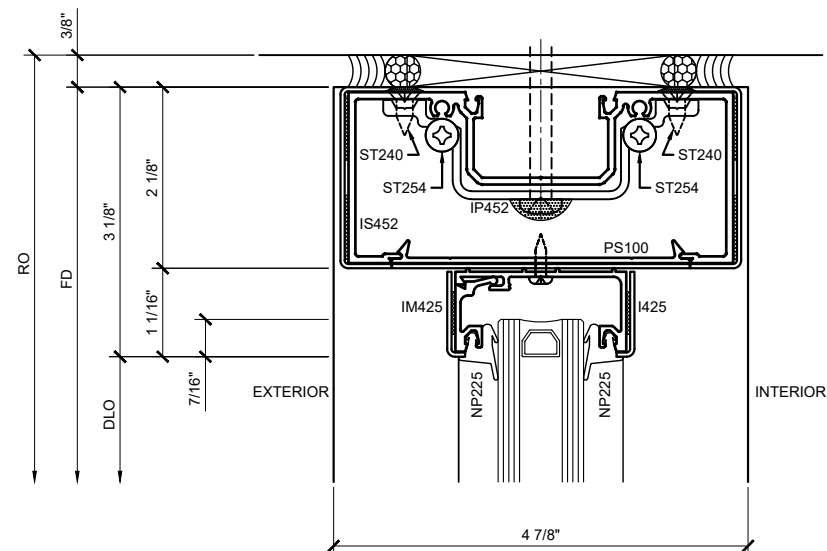
CRL

2503 E. Vernon Avenue, Los Angeles, CA 90058-1897
PH: (800)-421-6144 FX: 800-587-7501 www.crlusa.com

Description:
CRL BALANCER SERIES
BALANCED DOOR
ALUMINUM CLAD
ALL GLASS WITH MINI STILE

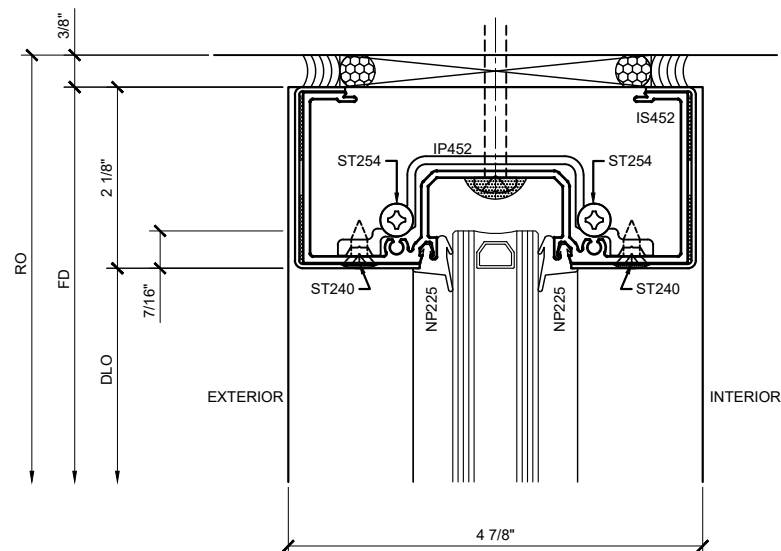
Drawn By: TGM
Date: 11/15/18
Scale: AS NOTED
File Name: BS BD - AL CLAD ALL GLS W/MINI STILE.dwg
Sheet

2.03



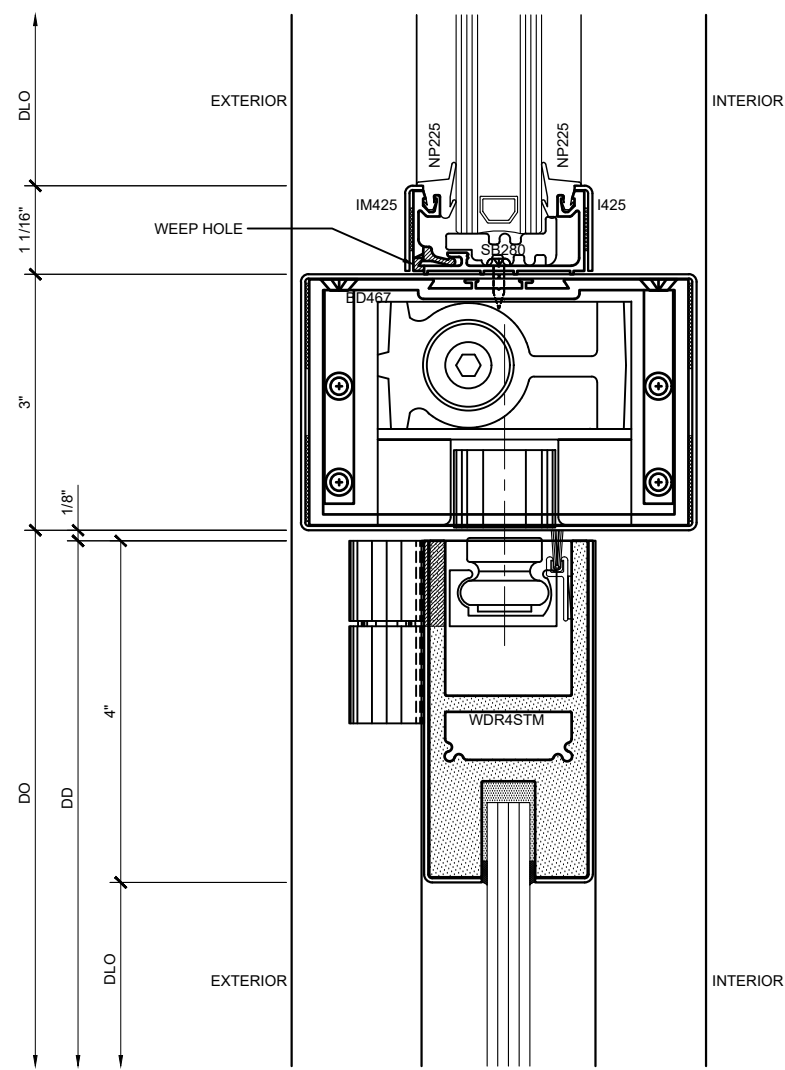
8 HEAD DETAIL

ARCH REF: N/A 1'-0"=1'-0"



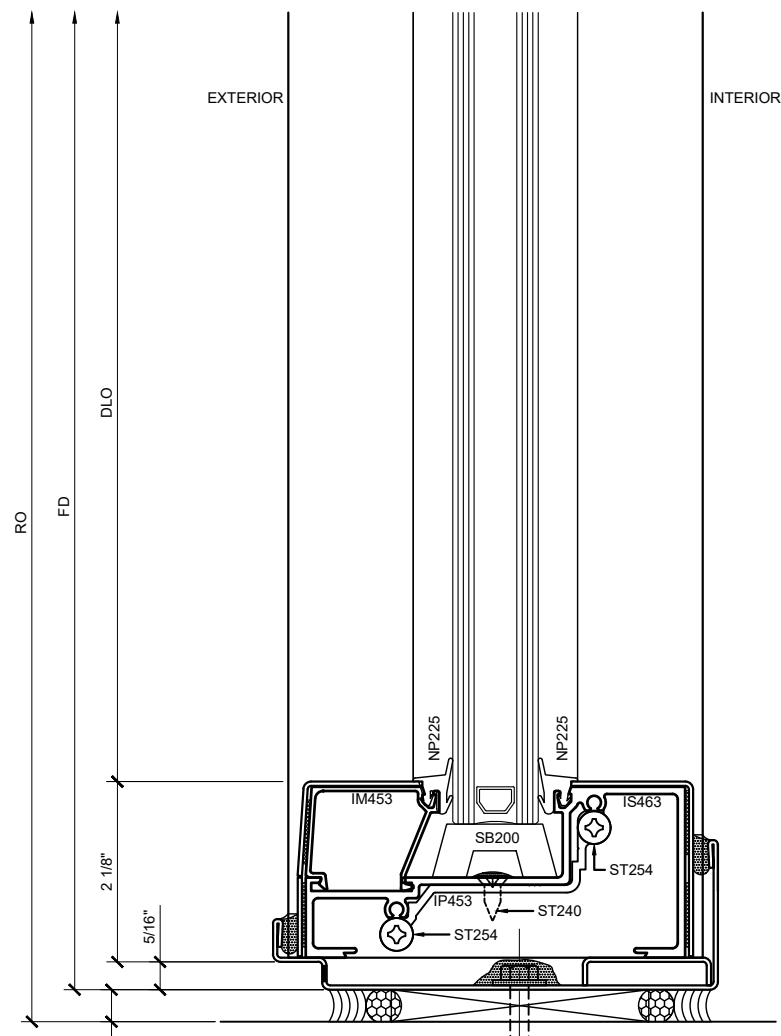
10 HEAD DETAIL

ARCH REF: N/A 1'-0"=1'-0"



9 DOOR HEAD DETAIL AT TRANSOM

ARCH REF: N/A 1'-0"=1'-0"



11 SILL DETAIL AT SIDELITE

ARCH REF: N/A 1'-0"=1'-0"

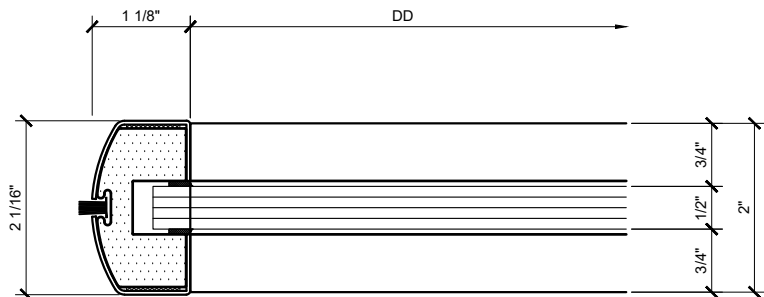
Revisions By:

CRL

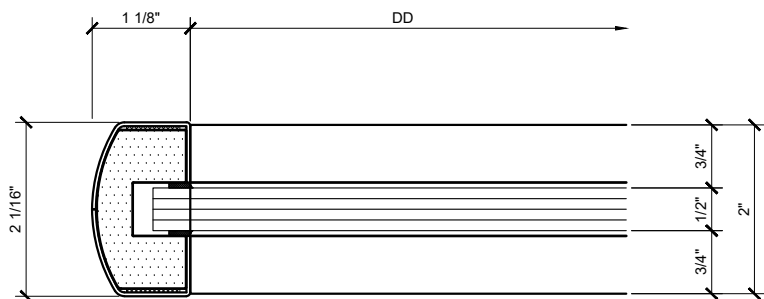
2503 E. Vernon Avenue, Los Angeles, CA 90058-1897
PH: (800)-421-6144 FX: 800-597-7501 www.crlusa.com

Description:
CRL BALANCER SERIES
BALANCED DOOR
ALUMINUM CLAD
ALL GLASS WITH MINI STILE

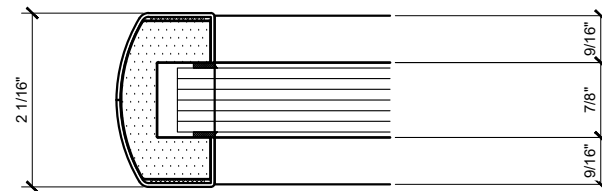
Drawn By: TGM
Date: 11/15/18
Scale: AS NOTED
File Name: BS BD - AL CLAD ALL GLS W/MINI STILE.dwg
Sheet



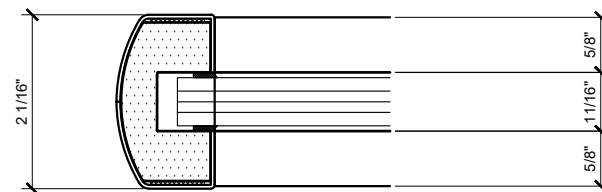
MINI STILE W/BRUSH (SHOWN WITH 1/2" GLASS)



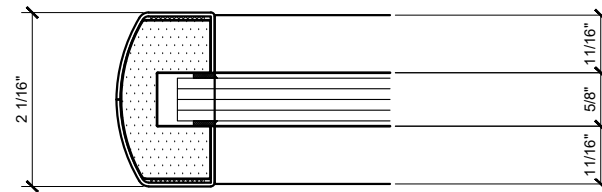
MINI STILE (SHOWN WITH 1/2" GLASS)



3/4" GLASS



9/16" GLASS



1/2" GLASS

GLASS SIZE OPTIONS

ALUMINUM CLAD ALL GLASS W/ MINI STILE BALANCED DOOR STANDARD STILE - GLASS OPTIONS: 3/4", 9/16", 1/2", THICK GLASS

Revisions By:

CRL.

2503 E. Vernon Avenue, Los Angeles, CA 90058-1897
PH: (800)-421-6144 FX: 800-597-7501 www.crlusa.com

Description:
CRL BALANCER SERIES
BALANCED DOOR
ALUMINUM CLAD
ALL GLASS WITH MINI STILE

Drawn By: TGM

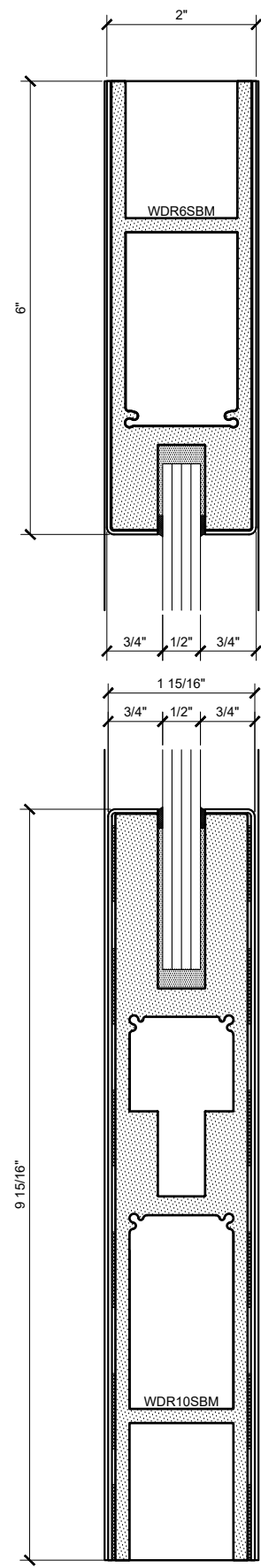
Date: 11/15/18

Scale: AS NOTED

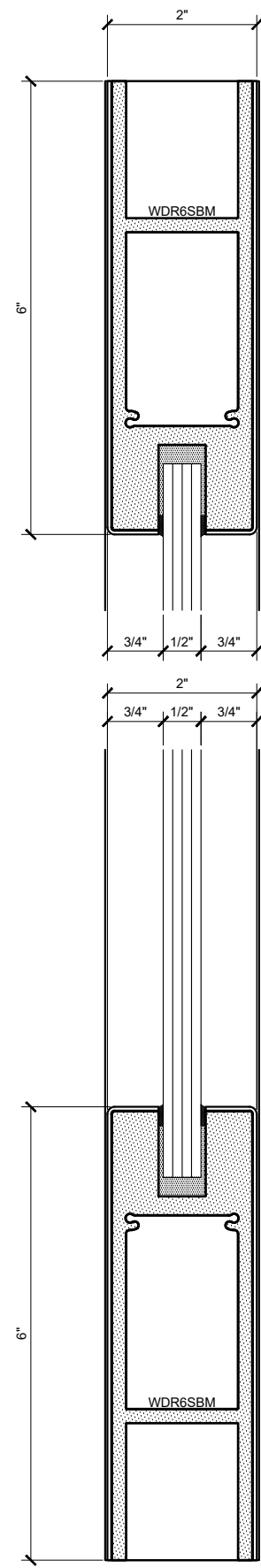
File Name:
BS BD - AL CLAD ALL GLS W/MINI STILE.dwg

Sheet

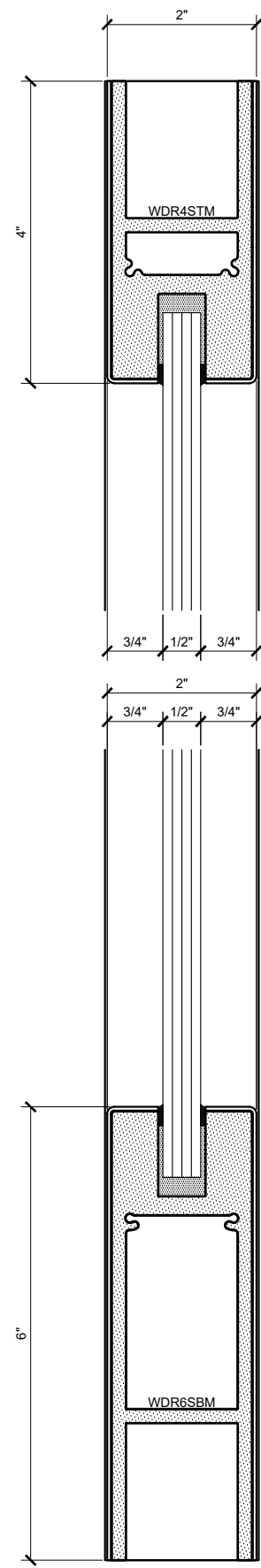
2.05



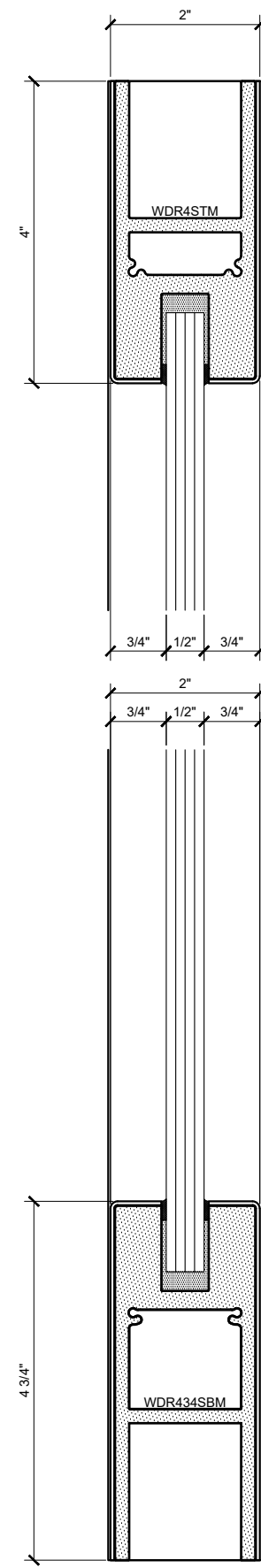
OPTION 1



OPTION 2



OPTION 3



OPTION 4

ALUMINUM CLAD ALL GLASS W/ MINI STILE BALANCED DOOR STANDARD RAILS - GLASS OPTIONS: 3/4", 9/16", 1/2", THICK GLASS

Revisions By:

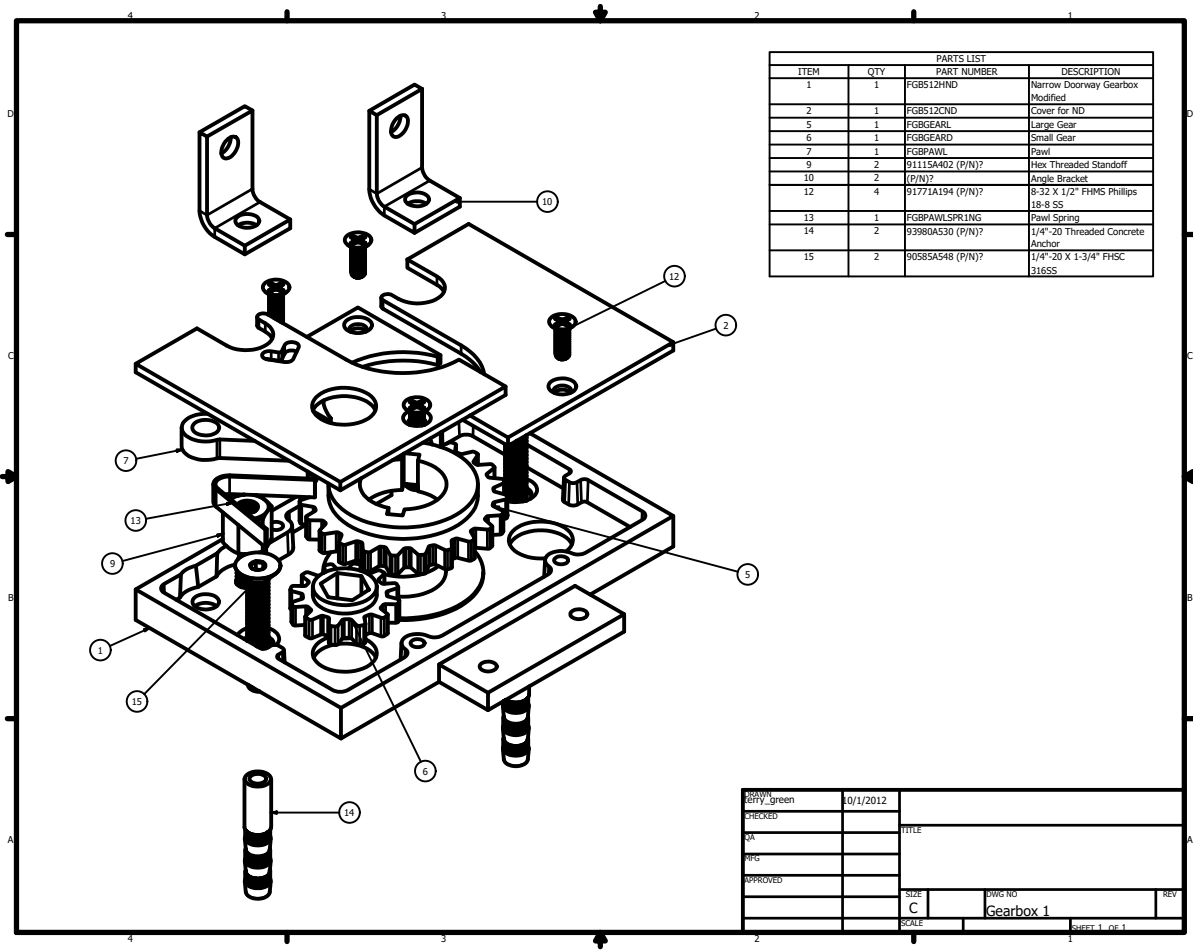
CRL.

2503 E. Vernon Avenue, Los Angeles, CA 90058-1897
 PH: (800)-421-6144 FX: 800-587-7501 www.crlusa.com

Description:
 CRL BALANCER SERIES
 BALANCED DOOR
 ALUMINUM CLAD
 ALL GLASS WITH MINI STILE

Drawn By: TGM
 Date: 11/15/18
 Scale: AS NOTED
 File Name:
 BS BD - AL CLAD ALL GLS W/MINI STILE.dwg
 Sheet

2.06



DESIGNED BY: Green	DATE: 10/1/2012	TITLE:
CHECKED:		
SCALE:		
APPROVED:		
	SIZE: C	REV: 10
	SCALE:	Gearbox 1
		SHEET 1 OF 1

Revisions By:

CRL.

2503 E. Vernon Avenue, Los Angeles, CA 90058-1897
 PH: (800)-421-6144 FX: 800-587-7501 www.crlusa.com

Description:
 CRL BALANCER SERIES
 BALANCED DOOR
 ALUMINUM CLAD
 ALL GLASS WITH MINI STILE

Drawn By: TGM
 Date: 11/15/18
 Scale: AS NOTED
 File Name: BS BD - AL CLAD ALL GLS W/MINI STILE.dwg

Sheet
3.01