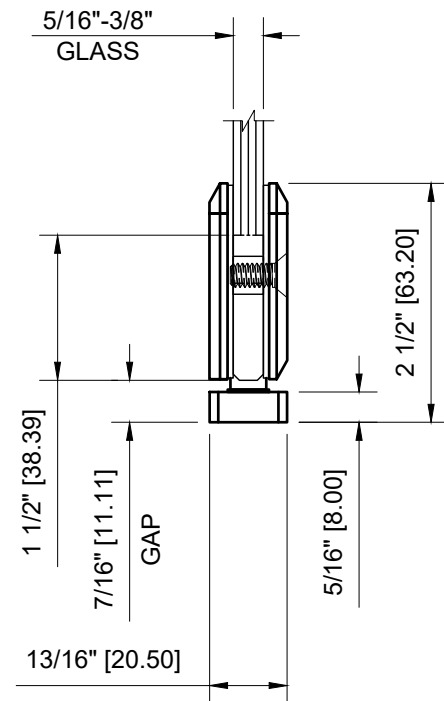
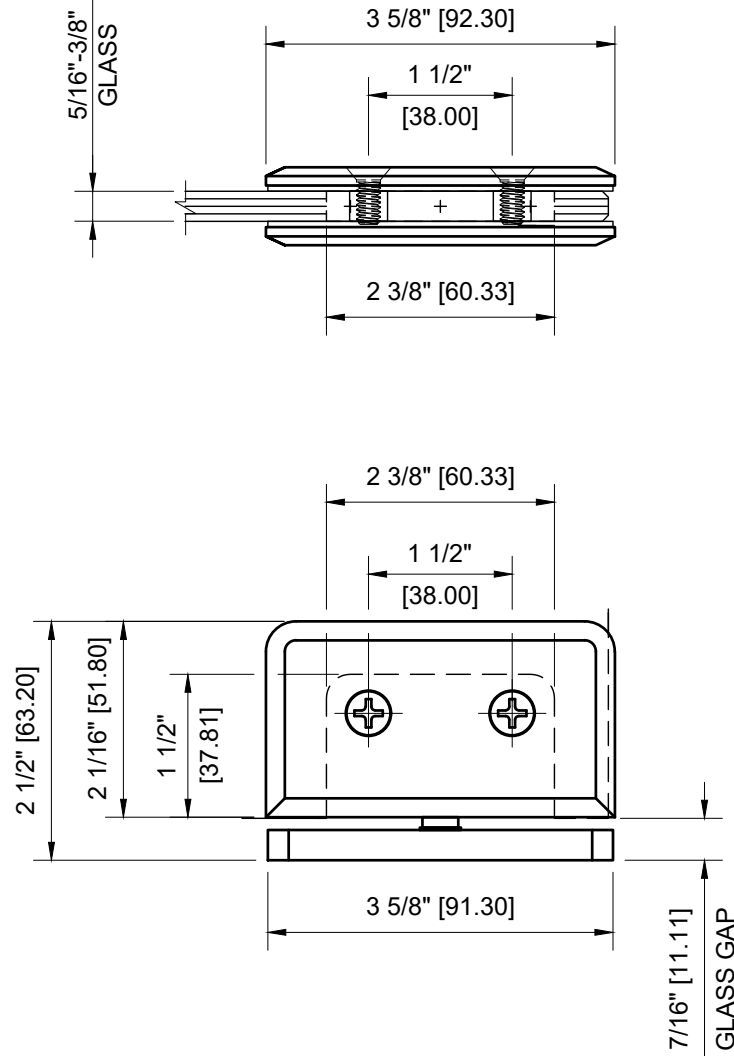


USE OF GASKETS

FOR 5/16" (8mm) GLASS: USE ONE THICK GASKET AND ONE THIN GASKET ON EACH SIDE

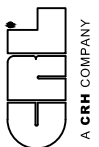
FOR 3/8" (10mm) GLASS: USE ONE THICK GASKET ON EACH SIDE

CATALOG NUMBER	FINISH
PPH01CH	POLISHED CHROME
PPH01MBL	MATTE BLACK
PPH01BR	POLISHED BRASS
PPH01ORB	OIL RUBBED BRONZE
PPH01ABC0	ANTIQUE BRUSHED COPPER
PPH01ABN	ANTIQUE BRUSHED NICKEL
PPH01ABR	ANTIQUE BRASS
PPH01ABRZ	ANTIQUE BRONZE
PPH01BBRZ	BRUSHED BRONZE
PPH01BC0	BRUSHED COPPER
PPH01BL	BLACK
PPH01BN	BRUSHED NICKEL
PPH01BSC	BRUSHED SATIN CHROME
PPH01GM	GUN METAL
PPH01GP	GOLD PLATED
PPH01PC0	POLISHED COPPER
PPH01PN	POLISHED NICKEL
PPH01SB	SATIN BRASS
PPH01SC	SATIN CHROME
PPH01SN	SATIN NICKEL
PPH01UBR	ULTRA BRASS
PPH01WC	WHITE W/ CHROME ACCENT



PPH01XX - CRL PRIMA SERIES TOP OR BOTTOM MOUNT HINGE

C.R. LAURENCE CO. ARCHITECTURAL PRODUCTS
 2503 E. Vernon Avenue, Los Angeles, CA 90058-1897
 PH (800)-421-6144 FX: 800-587-7501 www.crlaurence.com



A CRH COMPANY

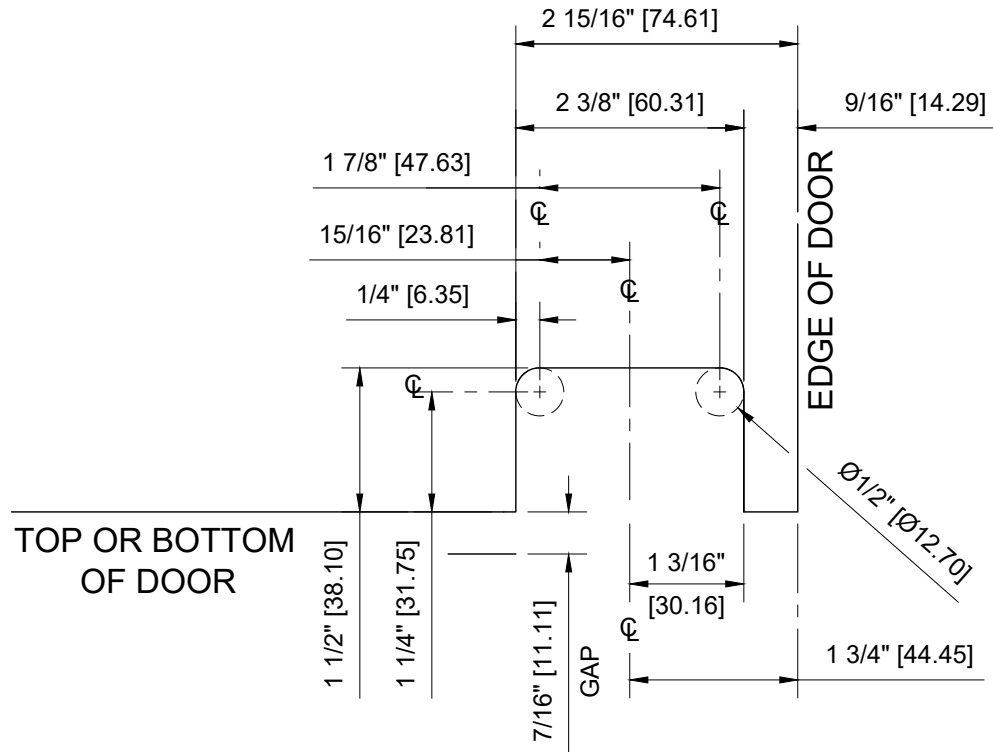
DESCRIPTION: CRL PRIMA SERIES HINGE
 PPH01 - TOP OR BOTTOM MOUNT HINGE

DATE: 10-28-2019
 SCALE: 6"=1'-0"
 DRAWN BY: VM

USE OF GASKETS

FOR 5/16" (8mm) GLASS: USE ONE THICK GASKET ON EACH SIDE

FOR 3/8" (10mm) GLASS: USE ONE THIN GASKET ON EACH SIDE



EDGE MOUNT PREFERRED METHOD
7/16" (11mm) CLEARANCE
GLASS FABRICATION TEMPLATE

PPH01XX - CRL PRIMA SERIES TOP OR BOTTOM MOUNT HINGE

CATALOG NUMBER	FINISH
PPH01CH	POLISHED CHROME
PPH01MBL	MATTE BLACK
PPH01BR	POLISHED BRASS
PPH01ORB	OIL RUBBED BRONZE
PPH01ABC0	ANTIQUE BRUSHED COPPER
PPH01ABN	ANTIQUE BRUSHED NICKEL
PPH01ABR	ANTIQUE BRASS
PPH01ABRZ	ANTIQUE BRONZE
PPH01BBRZ	BRUSHED BRONZE
PPH01BC0	BRUSHED COPPER
PPH01BL	BLACK
PPH01BN	BRUSHED NICKEL
PPH01BSC	BRUSHED SATIN CHROME
PPH01GM	GUN METAL
PPH01GP	GOLD PLATED
PPH01PC0	POLISHED COPPER
PPH01PN	POLISHED NICKEL
PPH01SB	SATIN BRASS
PPH01SC	SATIN CHROME
PPH01SN	SATIN NICKEL
PPH01UBR	ULTRA BRASS
PPH01WC	WHITE W/ CHROME ACCENT

DATE: 10-28-2019
 SCALE: 6"=1'-0"
 DRAWN BY: VM

DESCRIPTION: CRL PRIMA SERIES HINGE
 PPH01 - TOP OR BOTTOM MOUNT HINGE

C.R.LAURENCE CO. ARCHITECTURAL PRODUCTS
 2503 E. Vernon Avenue, Los Angeles, CA 90058-1897
 PH (800)-421-6144 FX: 800-587-7501 www.crlaurence.com

