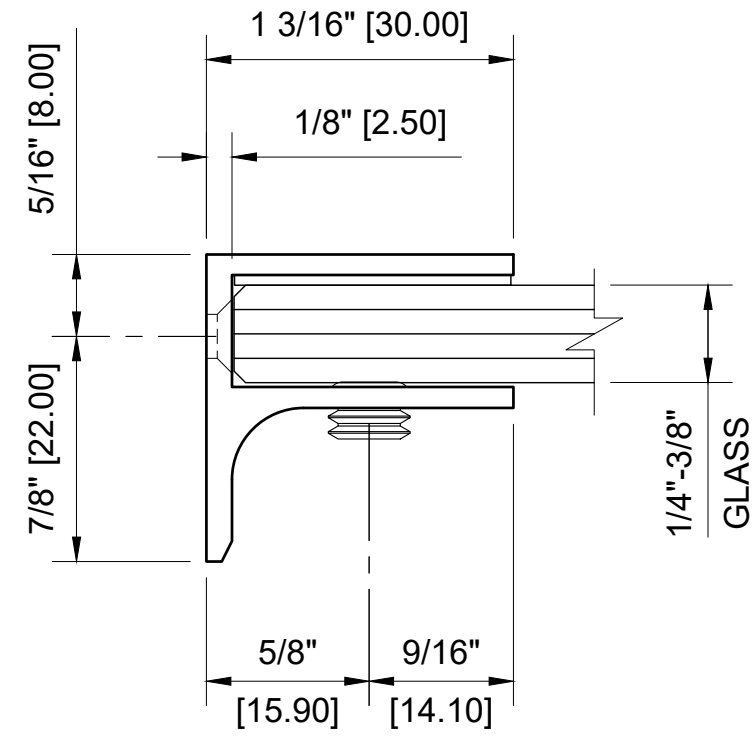
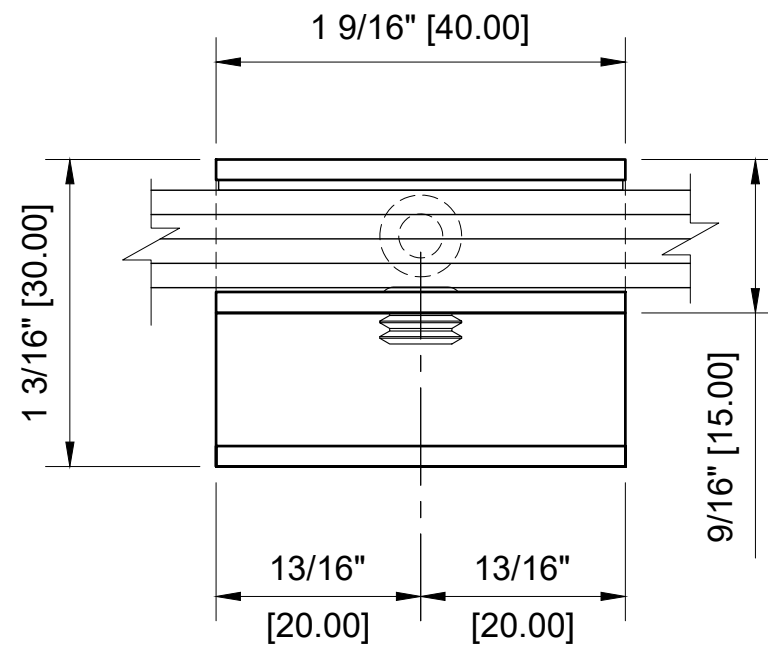
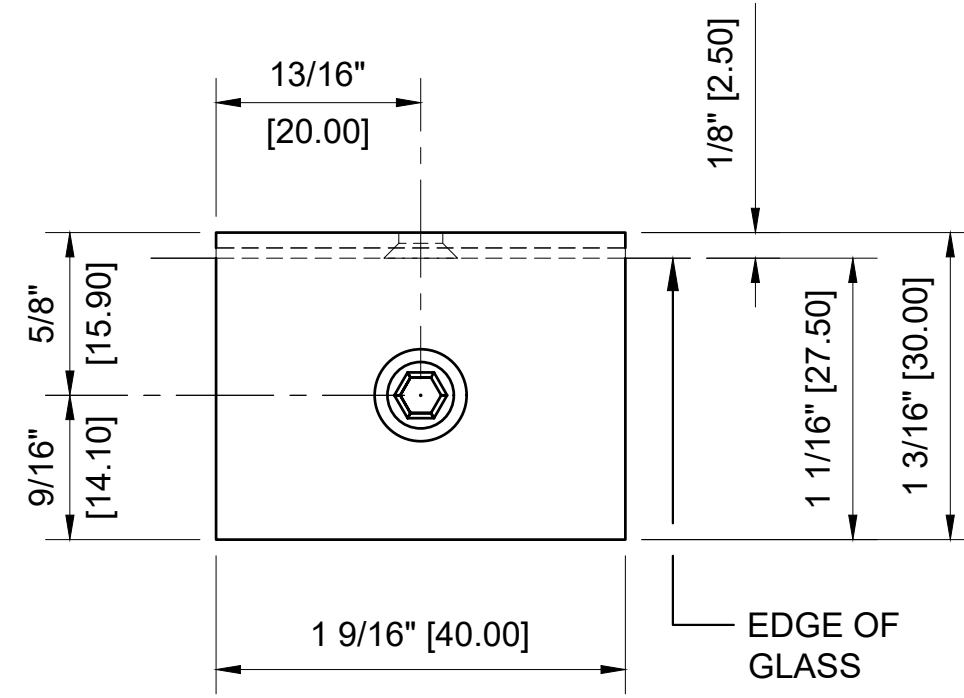


1/4" (6mm) GLASS:
 3/8" (10mm) GLASS:



CRL - EH132 SMALL SQUARE INTERIOR SHELF CLAMPS WITH SUPPORT LEG FOR 1/4" - 3/8" GLASS



C.R. LAURENCE CO. ARCHITECTURAL PRODUCTS
 2503 E. Vernon Avenue, Los Angeles, CA 90058-1897
 PH (800)-421-6144 FX: 800-587-7501 www.crlaurence.com

DESCRIPTION:
 CTS CRL - EH132 CHROME
 SQUARE INTERIOR SHOWER SHELF CLAMP
 WITH SUPPORT LEG

DATE: 5-26-2020
 SCALE: 1'-0"=1'-0"
 DRAWN BY: VM