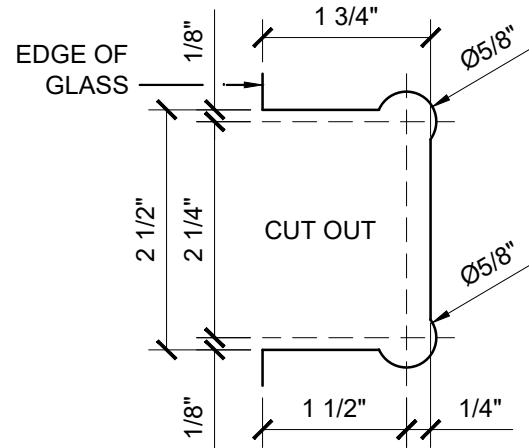
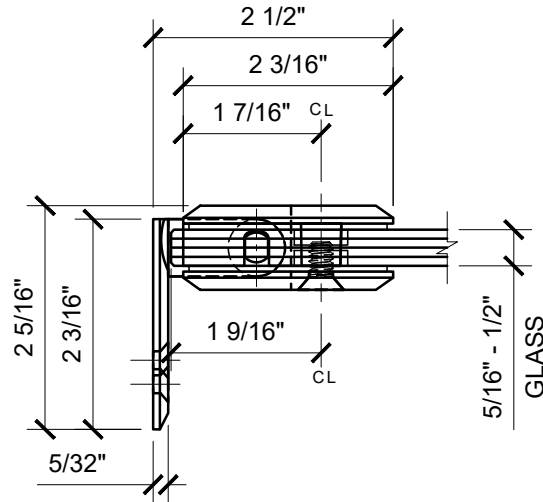


USE OF GASKETS

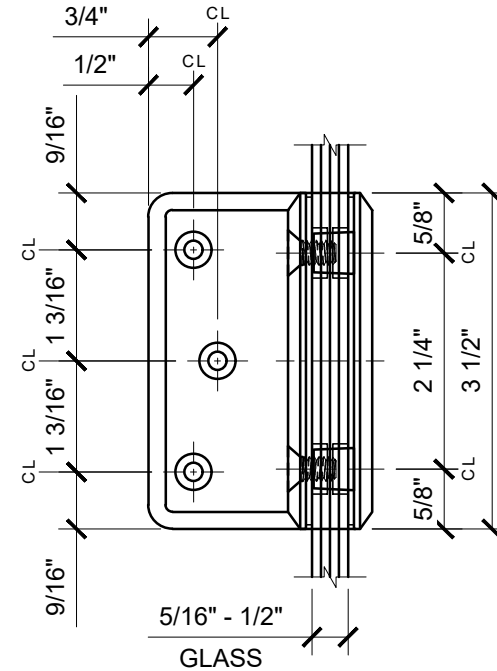
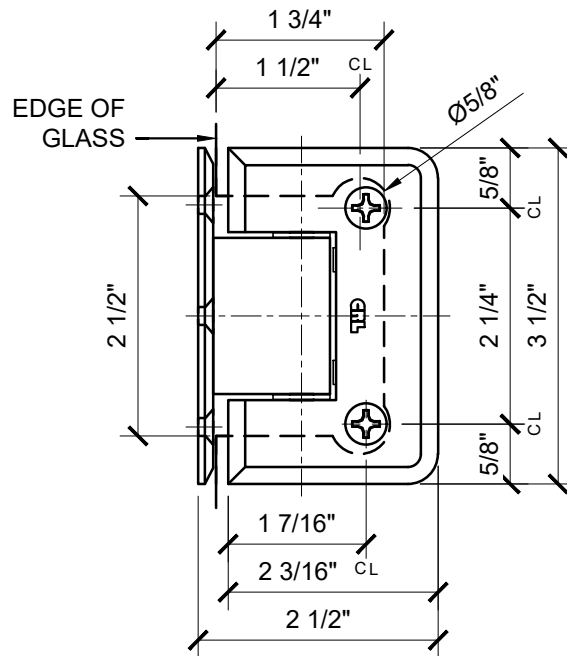
FOR 5/16" (8mm) GLASS: USE ONE THICK GASKET ON EACH SIDE

FOR 3/8" (10mm) GLASS: USE ONE THICK GASKET ON EACH SIDE

FOR 1/2" (12mm) GLASS: USE ONE THIN GASKET ON EACH SIDE



GLASS FABRICATION TEMPLATE



CATALOG NUMBER	FINISH
PIN044CH	CHROME
PIN044BR	BRASS
PIN0440RB	OIL RUBBED BRONZE
PIN044ABC0	ANTIQUE BRUSHED COPPER
PIN044ABL	ALL BLACK
PIN044ABN	ANTIQUE BRUSHED NICKEL
PIN044ABR	ANTIQUE BRASS
PIN044ABRZ	ANTIQUE BRONZE
PIN044BNBA	BRUSHED NICKEL W/ BRASS ACC
PIN044BBRZ	BRUSHED BRONZE
PIN044BN	BRUSHED NICKEL
PIN044BSC	BRUSHED SATIN CHROME
PIN044CBA	CHROME W/ BRASS ACCENTS
PIN044GP	GOLD PLATED
PIN044PC0	POLISHED COPPER
PIN044PN	POLISHED NICKEL
PIN044SB	SATIN BRASS
PIN044SC	SATIN CHROME
PIN044SN	SATIN NICKEL
PIN044UBR	ULTRA BRASS
PIN044WC	WHITE W/ CHROME ACCENTS

PIN044XX - CRL PINNACLE SERIES WALL MOUNT OFFSET BACK PLATE HINGE

DATE: 7/28/17
SCALE: 6"=1'-0"
DRAWN BY: VM

DESCRIPTION: CRL PIN044
PINNACLE SERIES WALL MOUNT
OFFSET BACK PLATE HINGE

C.R.LAURENCE CO. ARCHITECTURAL PRODUCTS
2303 E. Vernon Avenue, Los Angeles, CA 90058-1897
PH (800)-421-6144 FX: 800-587-7501 www.crlaurence.com

