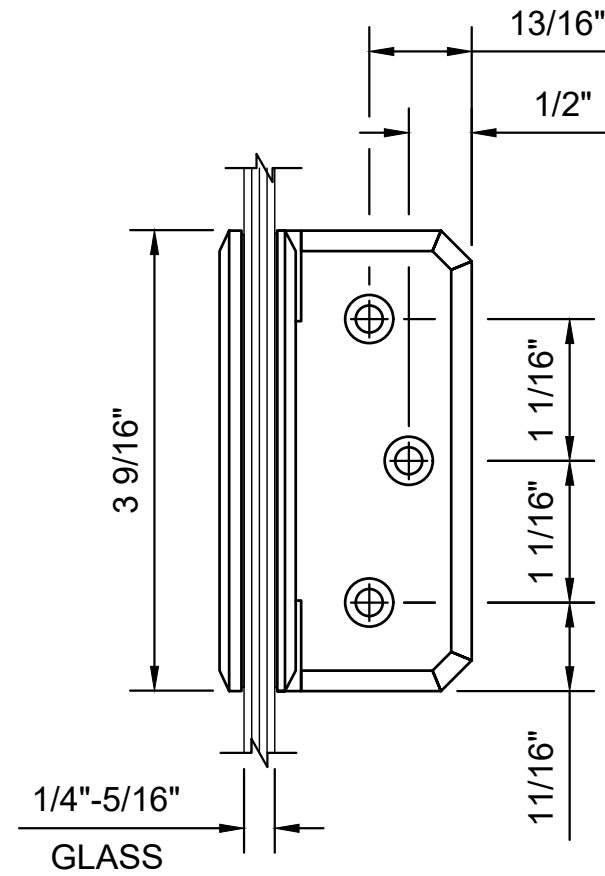
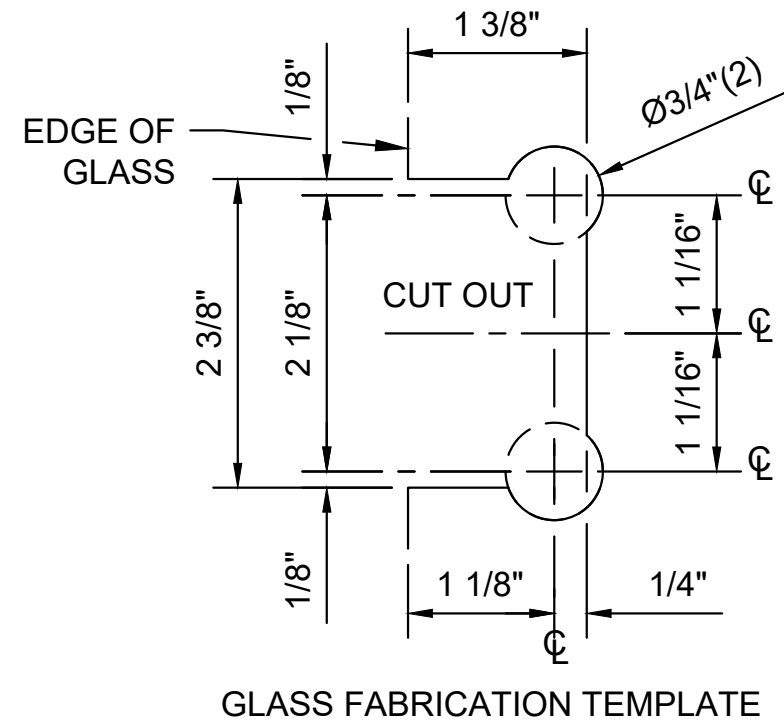
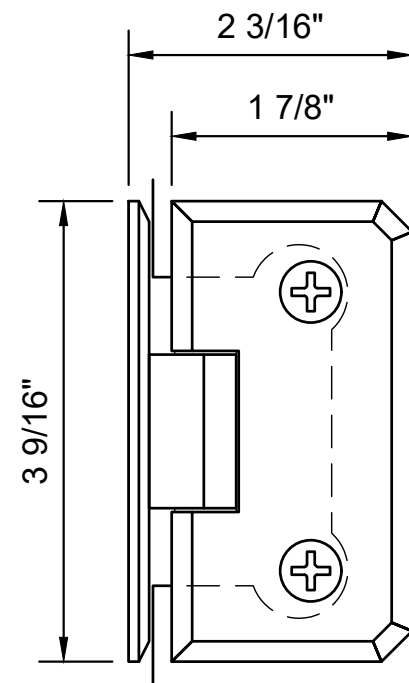
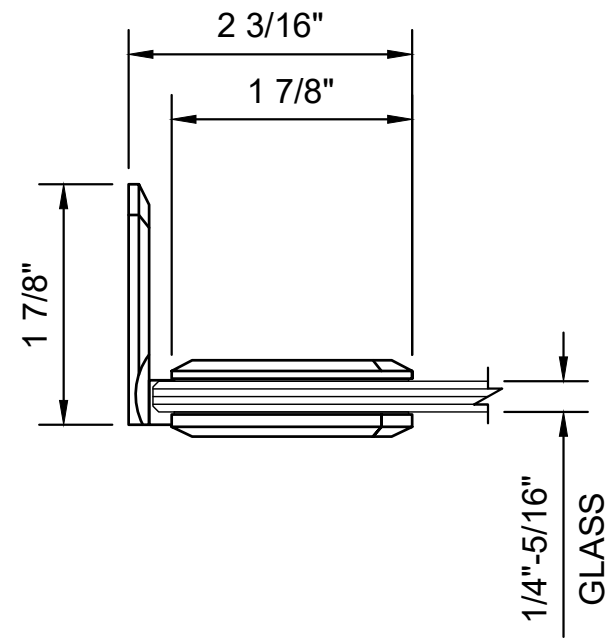


USE OF GASKETS

FOR 1/4" (6mm) GLASS: USE ONE THICK GASKET ON EACH SIDE  
 FOR 5/16" (8mm) GLASS: USE ONE THIN GASKET ON EACH SIDE



| CATALOG NUMBER | FINISH                 |
|----------------|------------------------|
| M0N044CH       | POLISHED CHROME        |
| M0N044BR       | POLISHED BRASS         |
| M0N044BN       | BRUSHED NICKEL         |
| M0N044SC       | SATIN CHROME           |
| M0N044WC       | WHITE W/ CHROME ACCENT |

M0N044XX - CRL MONACO SERIES WALL MOUNT FLUSH BACK PLATE HINGE

DATE: 3/13/19  
 SCALE: 6"=1'-0"  
 DRAWN BY: VM

DESCRIPTION: CRL MONACO SERIES HINGE  
 MON044 WALL MOUNT  
 FLUSH BACK PLATE HINGE

CTS  
 www.crlaurence.com

C.R. LAURENCE CO. ARCHITECTURAL PRODUCTS  
 2503 E. Vernon Avenue, Los Angeles, C.A 90058-1897  
 PH (800)-421-6144 FX: 800-587-7501 www.crlaurence.com

