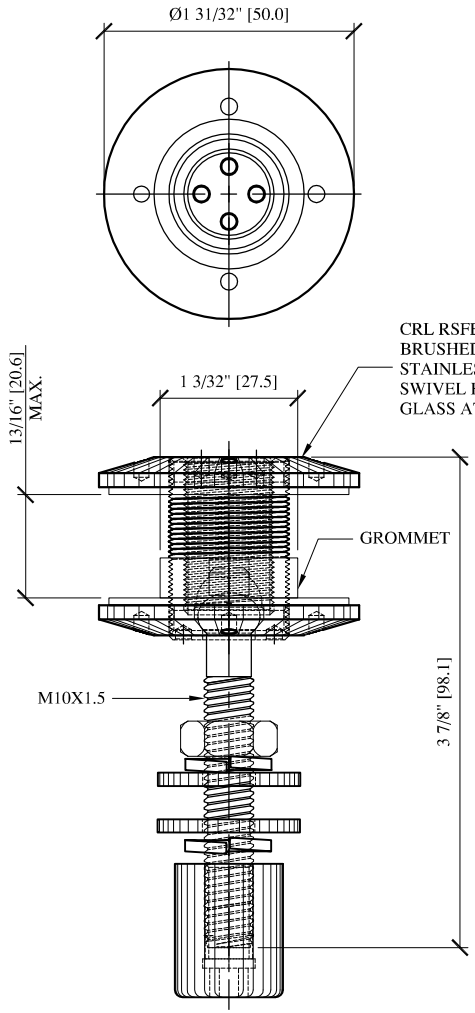
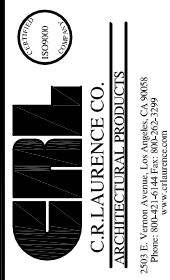
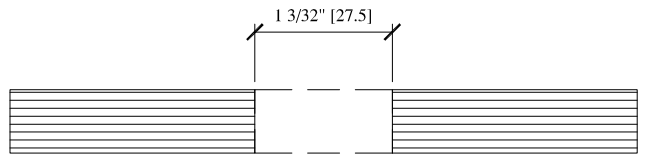


REVISIONS



CRL RSFEX10BS/CRL RSFEX10PS
BRUSHED / POLISHED
STAINLESS STEEL
SWIVEL HEAD COMBINATION
GLASS ATTACHMENT



GLASS FABRICATION

1 RSFEX10
Scale: 1:1

CRL SWIVEL HEAD COMBINATION
GLASS ATTACHMENT

CATALOG NUMBER	FINISH
RSFEX10BS	BRUSHED STAINLESS
RSFEX10PS	POLISHED STAINLESS

CUSTOMER SIGNATURE: X

DATE: _____

Part No:

No. RSFEX10

Phone: -
Fax: -

DATE: 12-28-2010

DRAWN BY: J.R.M.

CHECKED BY:

SCALE: 1:1

JOB #:

SHT 1