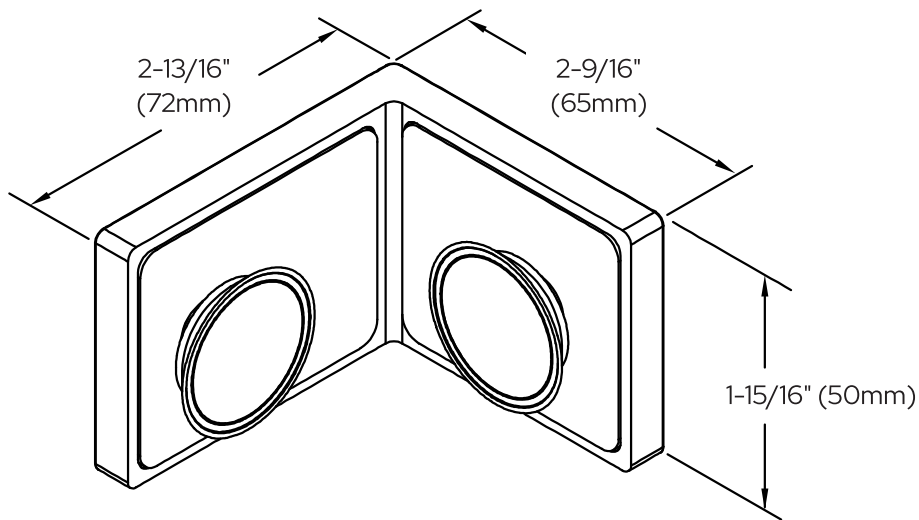


**\* SEE TEMPLATE ON BACK \***  
Refer to Dimensions Shown  
to Ensure Accuracy



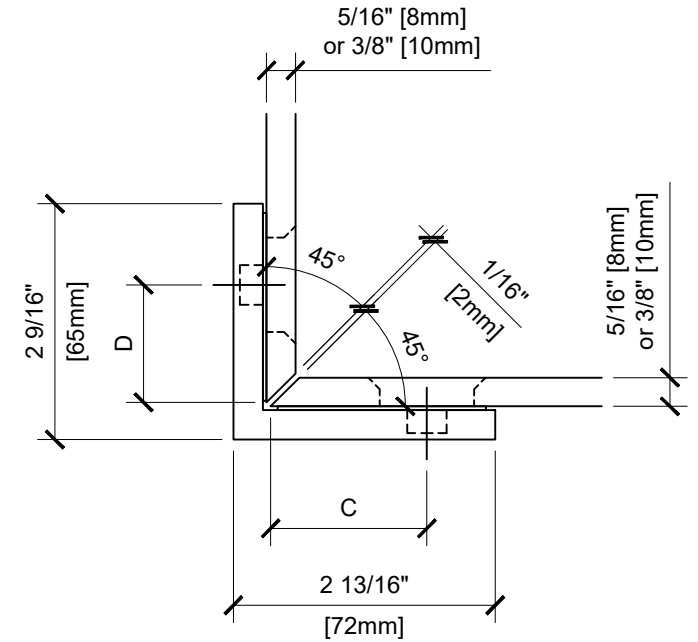
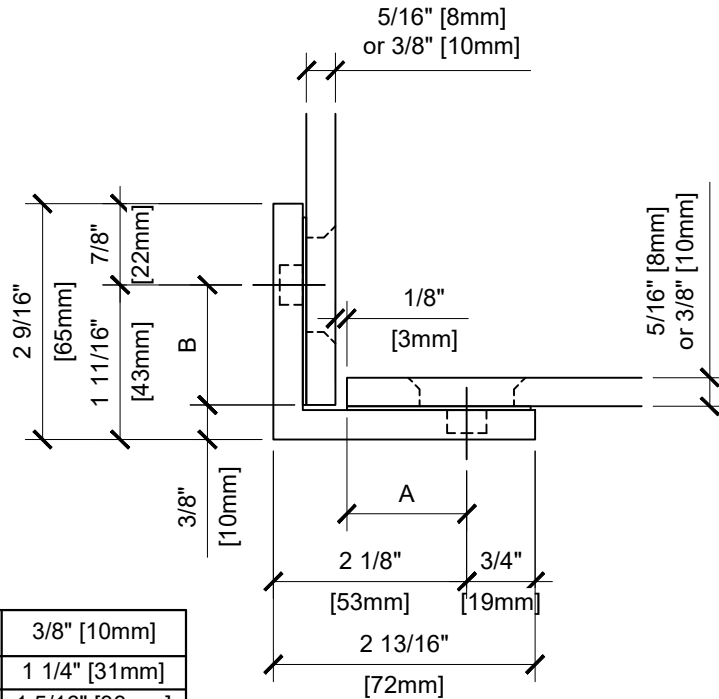
### Specifications:

Material:	Solid brass
Glass Thickness Range:	5/16" (8mm) to 3/8" (10mm)
Hole Size Required:	Contersunk Holes
Includes:	Mounting, screws and gaskets

## LUGANO

90° Glass-to-Glass Bracket

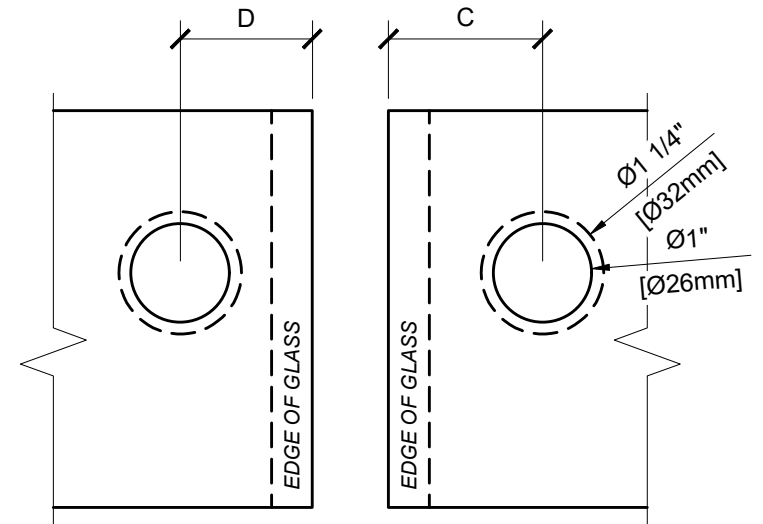
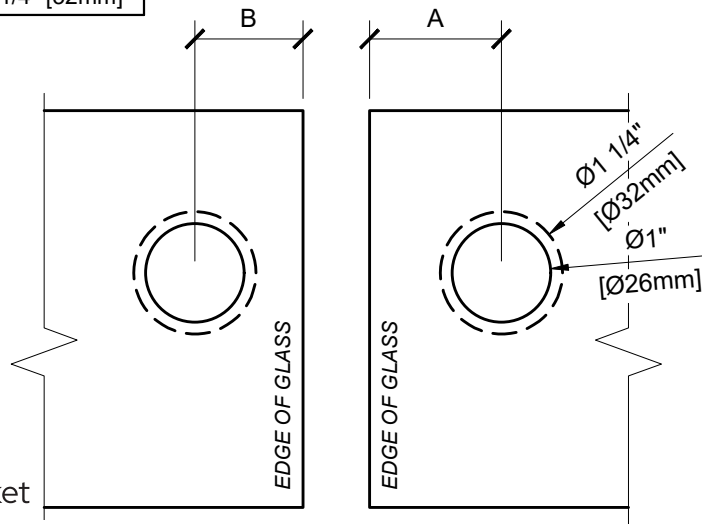
CAT. NO. LU090



GLASS	5/16" [8mm]	3/8" [10mm]
A	1 5/16" [33mm]	1 1/4" [31mm]
B	1 5/16" [33mm]	1 5/16" [33mm]
C	1 11/16" [43mm]	1 11/16" [43mm]
D	1 1/4" [32mm]	1 1/4" [32mm]

OVERLAP GLASS CUTOUT

MITER GLASS CUTOUT



GLASS CUTOUT

GLASS CUTOUT

## LUGANO

90° Glass-to-Glass Bracket  
CAT. NO. LU090