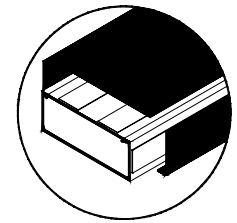
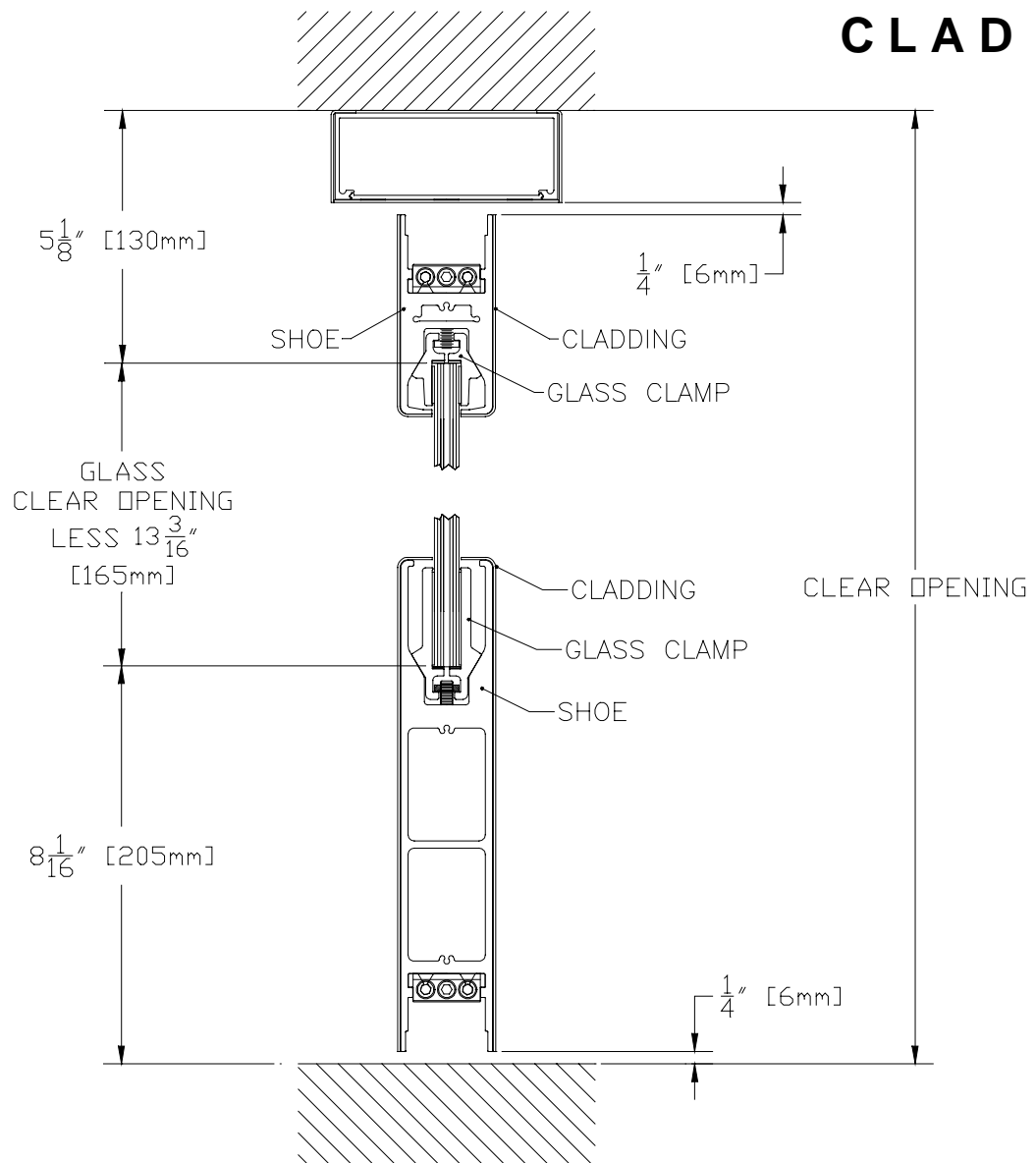


NOTES:
 IF 1/2" [13mm] THRESHOLD IS USED,
 THE DIMENSION FROM FLOOR TO GLASS
 INCREASES BY 1/2" [13mm] I.E. GLASS
 IS CLEAR OPENING LESS 13-11/16" [348mm]



CLAD



4" SQUARE DOOR RAIL TOP CLAD
 10" SQUARE DOOR RAIL BOTTOM CLAD
 WITH CLAD HEADER

GNL DOOR RAIL SYSTEM

C.R. Laurence Architectural Products

Phone Orders (800) 421-6144
 Fax Orders (800) 262-3299
 WWW.CRLAURENCE.COM
 Patent Pending

STYLE 18