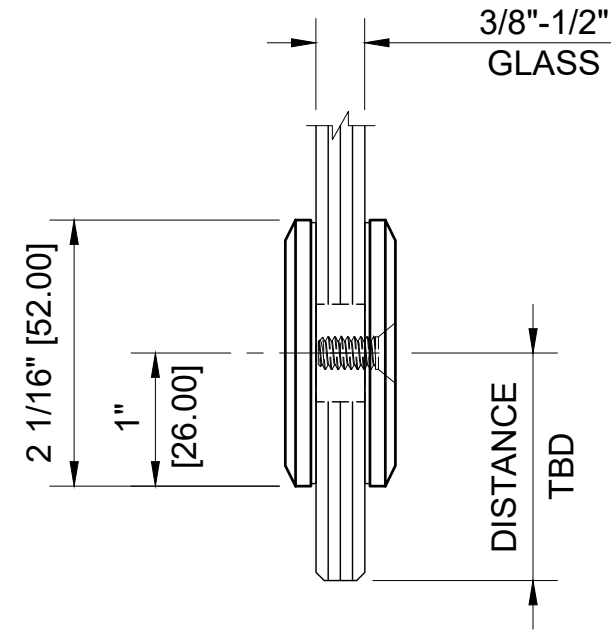
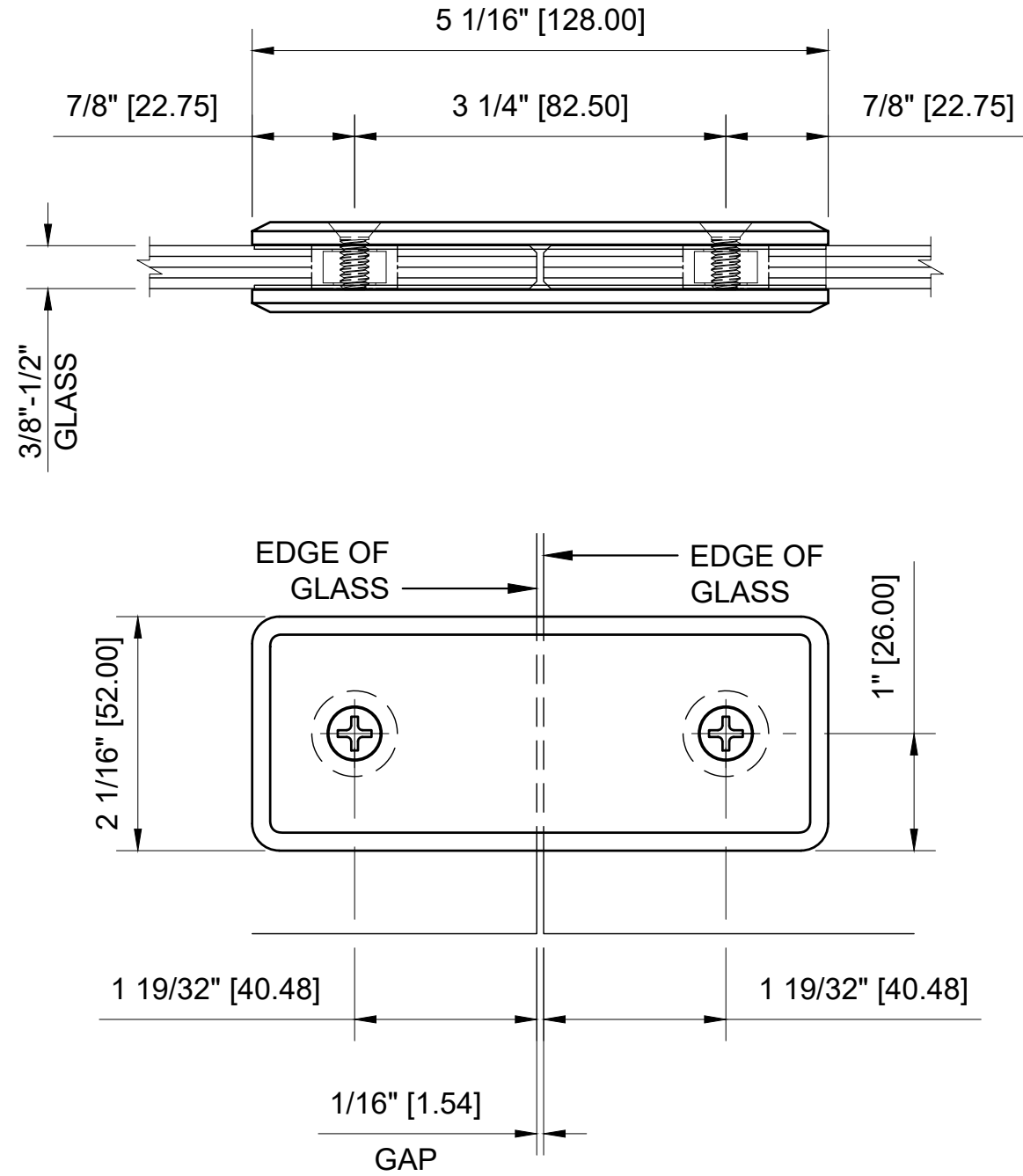


USE OF GASKETS

FOR 3/8" (10mm) GLASS:  
 FOR 1/2" (12mm) GLASS:



**BGC180XX - CRL BEVELED STYLE 180° GLASS TO GLASS HEAVY DUTY CLAMPS**

DATE: 12-3-2019  
 SCALE: 6"=1'-0"  
 DRAWN BY: VM

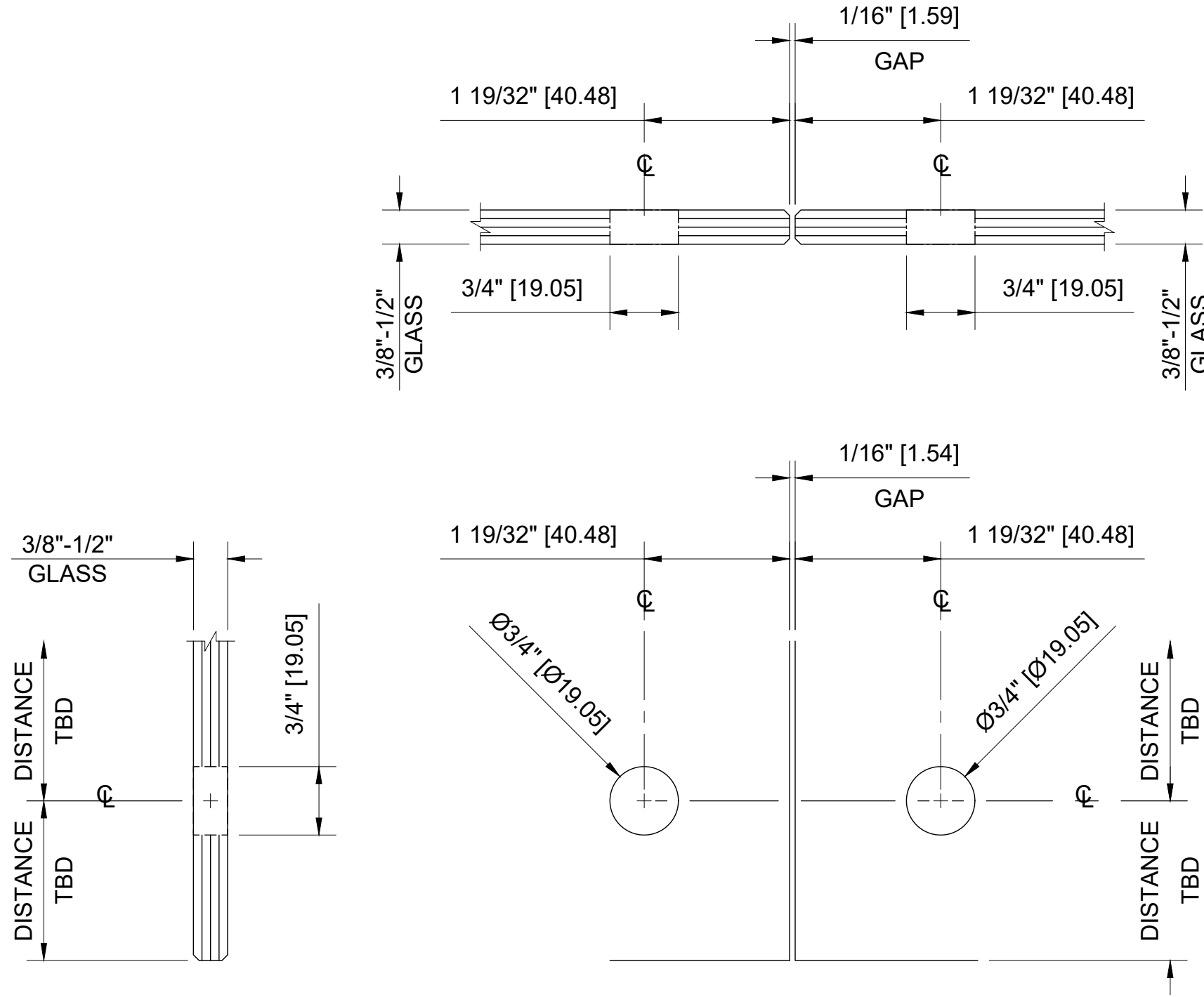
DESCRIPTION:  
 CTS CRL BEVELED STYLE 180° DOUBLE STUD  
 BGC180 - GLASS TO GLASS CLAMP

C.R. LAURENCE CO. ARCHITECTURAL PRODUCTS  
 2503 E. Vernon Avenue, Los Angeles, C.A. 90058-1897  
 PH (800)-421-6144 FX: 800-587-7501 www.crlaurence.com



USE OF GASKETS

FOR 3/8" (10mm) GLASS:  
 FOR 1/2" (12mm) GLASS:



DOUBLE STUD 180° GLASS TO GLASS CLAMP  
OR 3/4" (19mm) DIAMETER HOLE  
1/16" (1.5mm) GAP CLEARANCE  
GLASS FABRICATION TEMPLATE

BGC180XX - CRL BEVELED STYLE 180° GLASS TO GLASS HEAVY DUTY CLAMPS

DATE: 12-3-2019  
 SCALE: 6"=1'-0"  
 DRAWN BY: VM

DESCRIPTION:  
 CTS CRL BEVELED STYLE 180° DOUBLE STUD  
 BGC180 - GLASS TO GLASS CLAMP

C.R. LAURENCE CO. ARCHITECTURAL PRODUCTS  
 2503 E. Vernon Avenue, Los Angeles, CA 90058-1897  
 PH (800)-421-6144 FX: 800-587-7501 www.crlaurence.com

