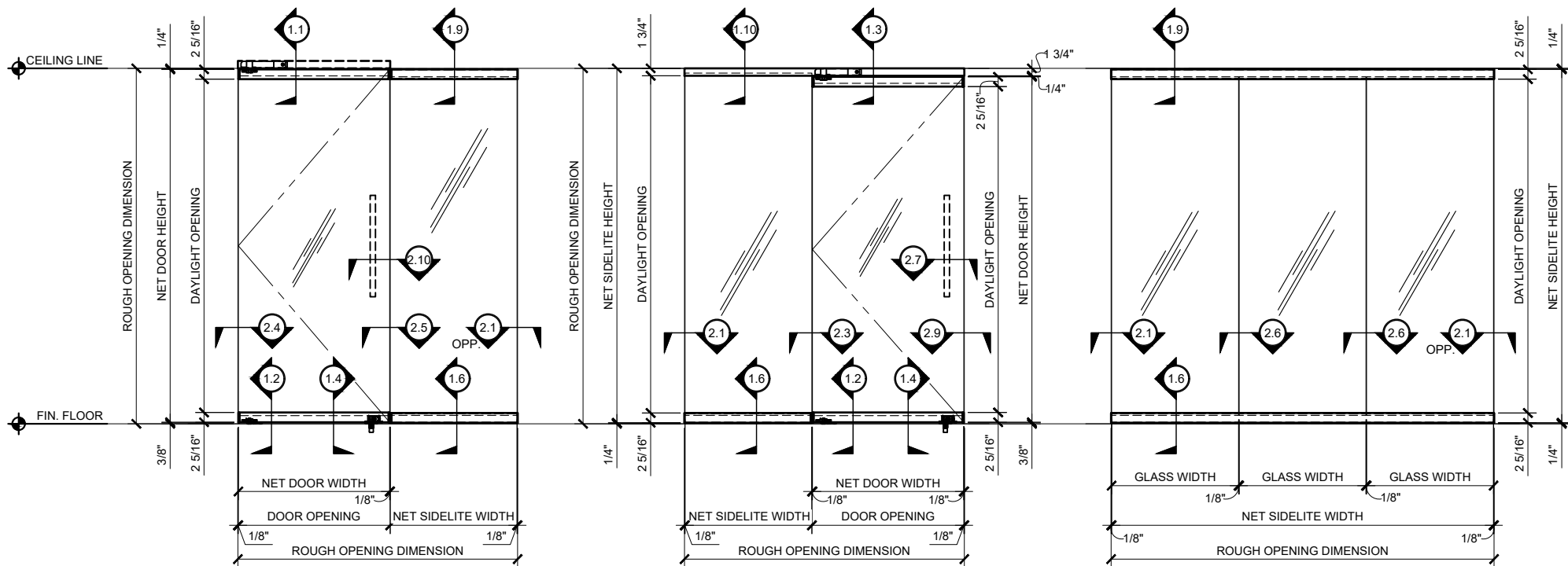


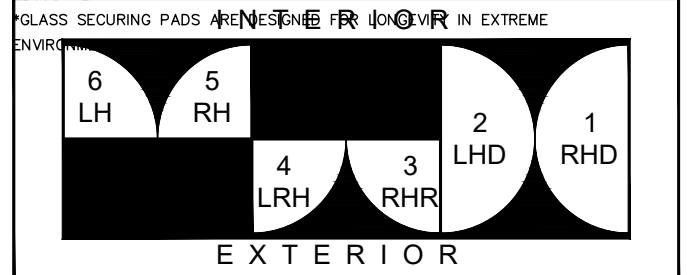
TYPICAL CLEAR VIEW GLASS ELEVATIONS



TYPICAL CLEAR VIEW GLASS ELEVATIONS

STANDARD "CLEAR VIEW GLASS" DOOR (HEIGHT) GUIDELINES
 3/8" (10mm) TEMPERED GLASS = 84" RECOMMENDED MAX HEIGHT
 1/2" (12mm) TEMPERED GLASS = 108" RECOMMENDED MAX HEIGHT

- * EXCLUSIVE CRL "CLEAR VIEW GLASS" GLASS SECURING SYSTEM FOR RAPID INSTALLATION AND STEADFAST HOLDING POWER
- * DOOR ASSEMBLY CAN BE READY FOR INSTALLATION IN LESS THAN 10 MINUTES
- * UNIVERSAL TOP AND BOTTOM RAILS CUT INVENTORY AND MAKE ORDERING EASIER
- * DRY GLAZING ALLOWS FOR FIELD REPLACEMENT
- * ALLOWS JAMB ALIGNMENT WITHOUT REMOVING THE DOOR
- * INTERNAL COMPONENTS DO NOT REQUIRE REMOVAL BEFORE INSTALLATION
- * RIGID SINGLE COMPONENT DESIGN FALLS OUT OF ADJUSTMENT

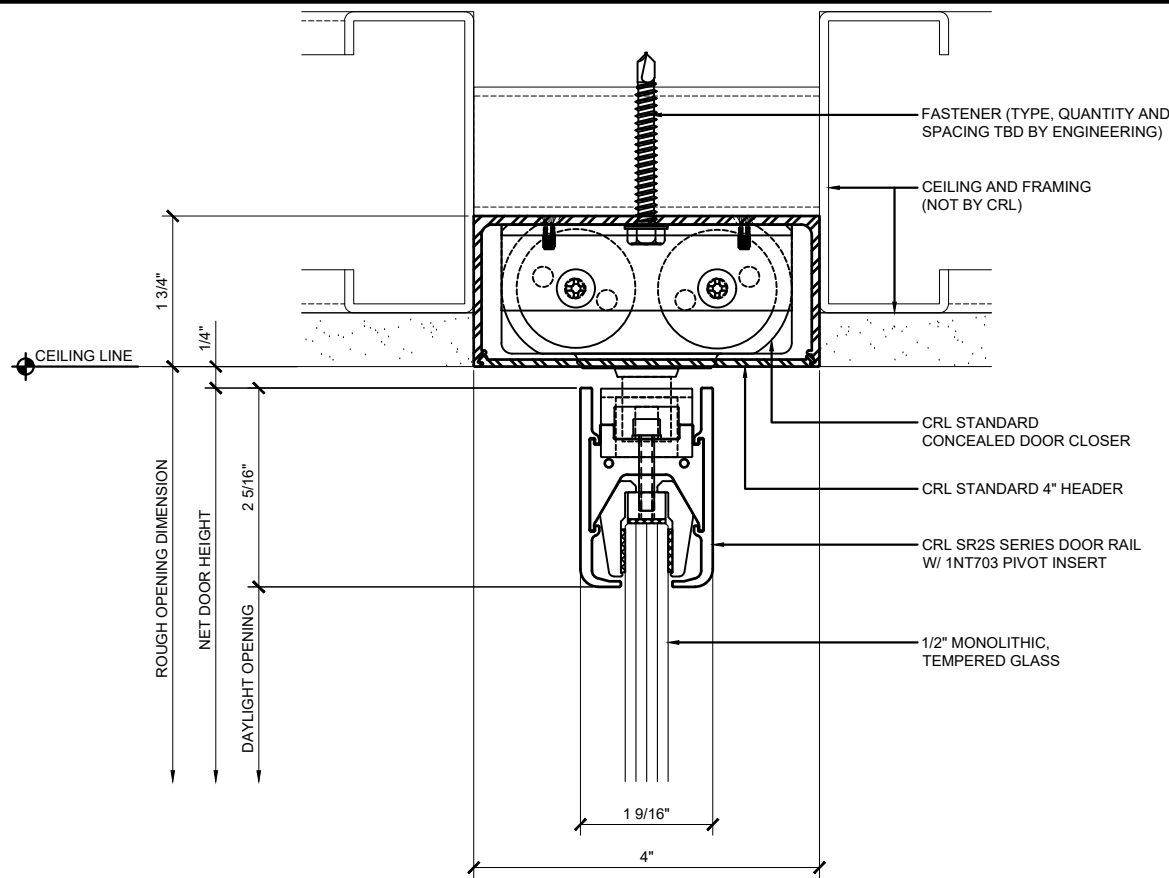


Revisions By:

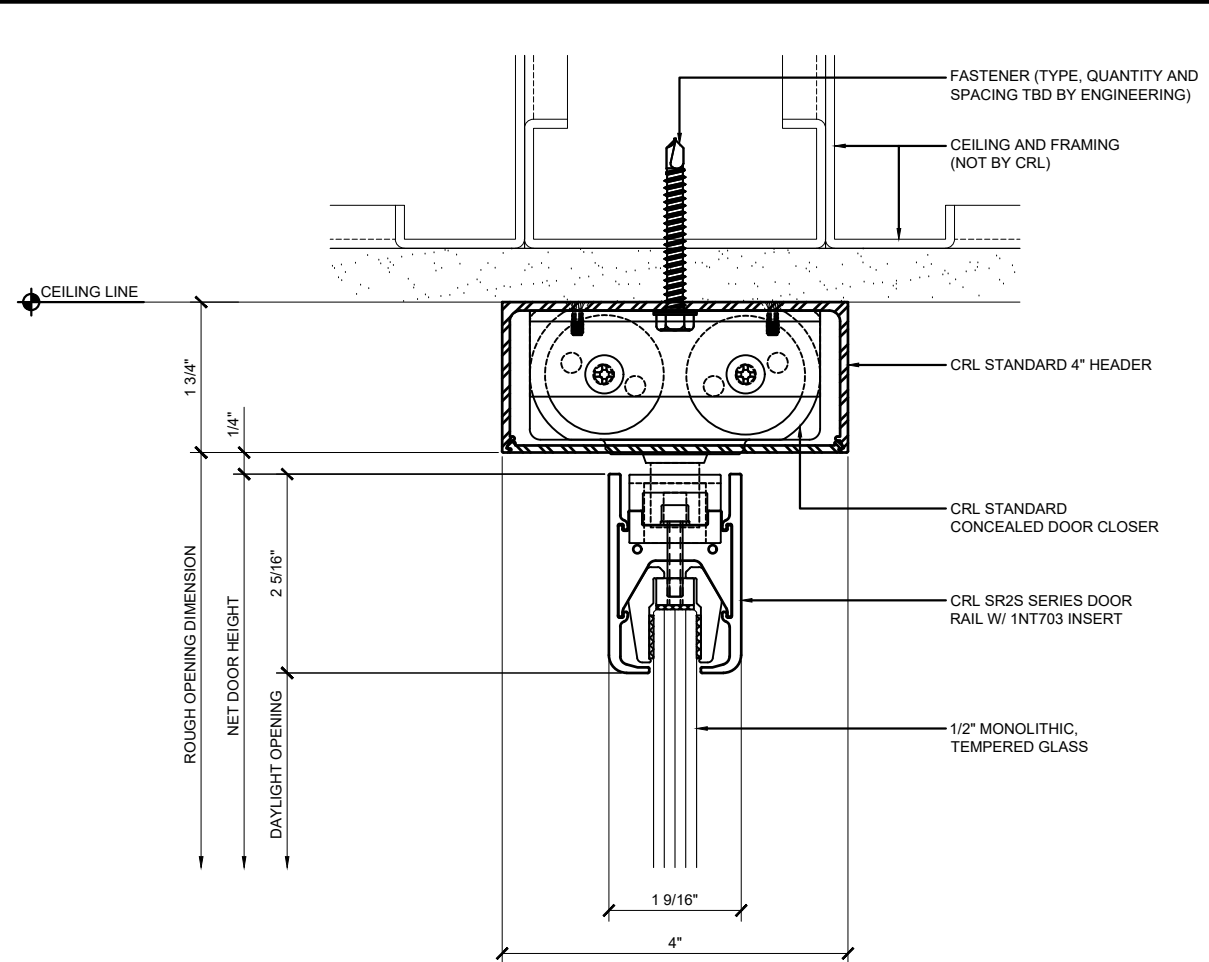


Description:
 CRL CLEAR VIEW
 GLASS WALL
 OFFICE SYSTEM

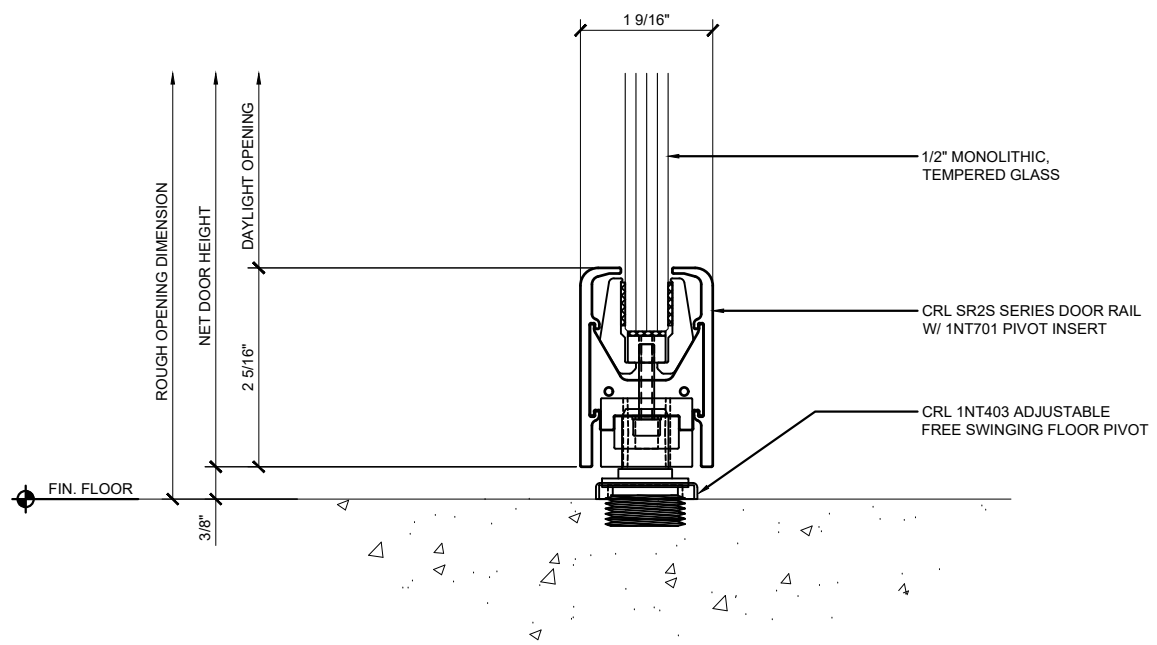
Drawn By: JG
 Date: 11/25/2014
 Scale: 3/4" = 1'-0"
 File Name: CRL CLEAR VIEW GLASS WALL OFFICE SYSTEM.dwg



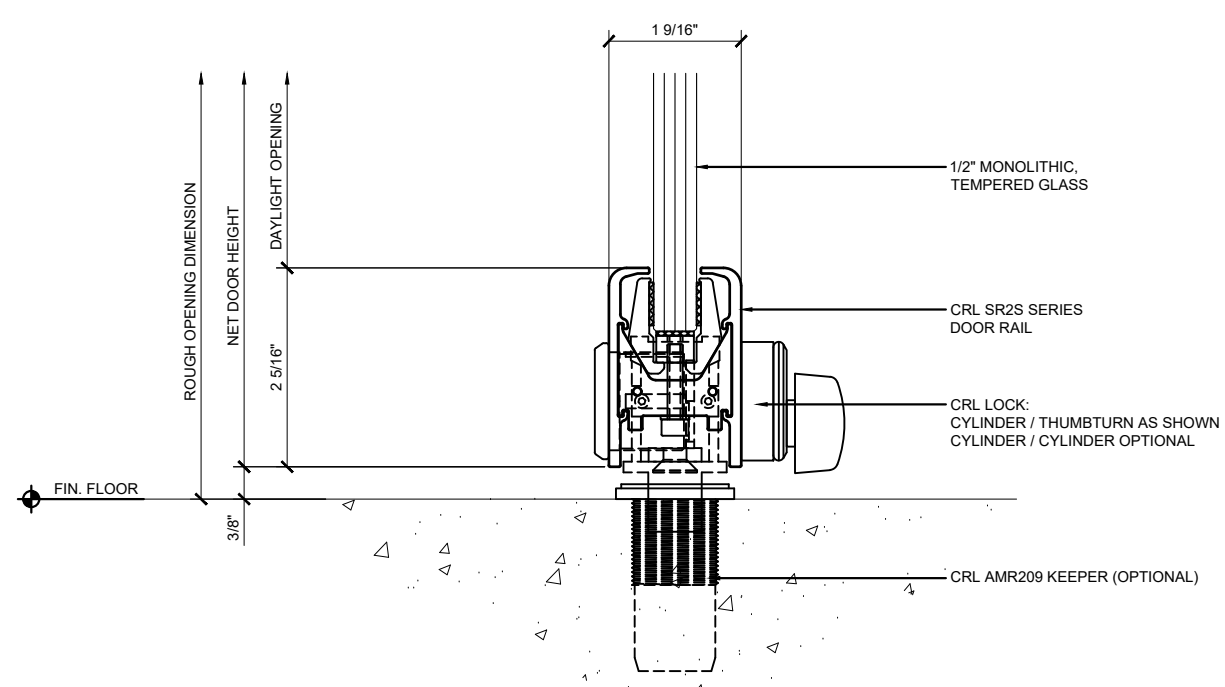
DOOR HEAD AT RECESSED HEADER (1.1)



DOOR HEAD AT EXPOSED HEADER (1.3)



DOOR SILL AT PIVOT (1.2)



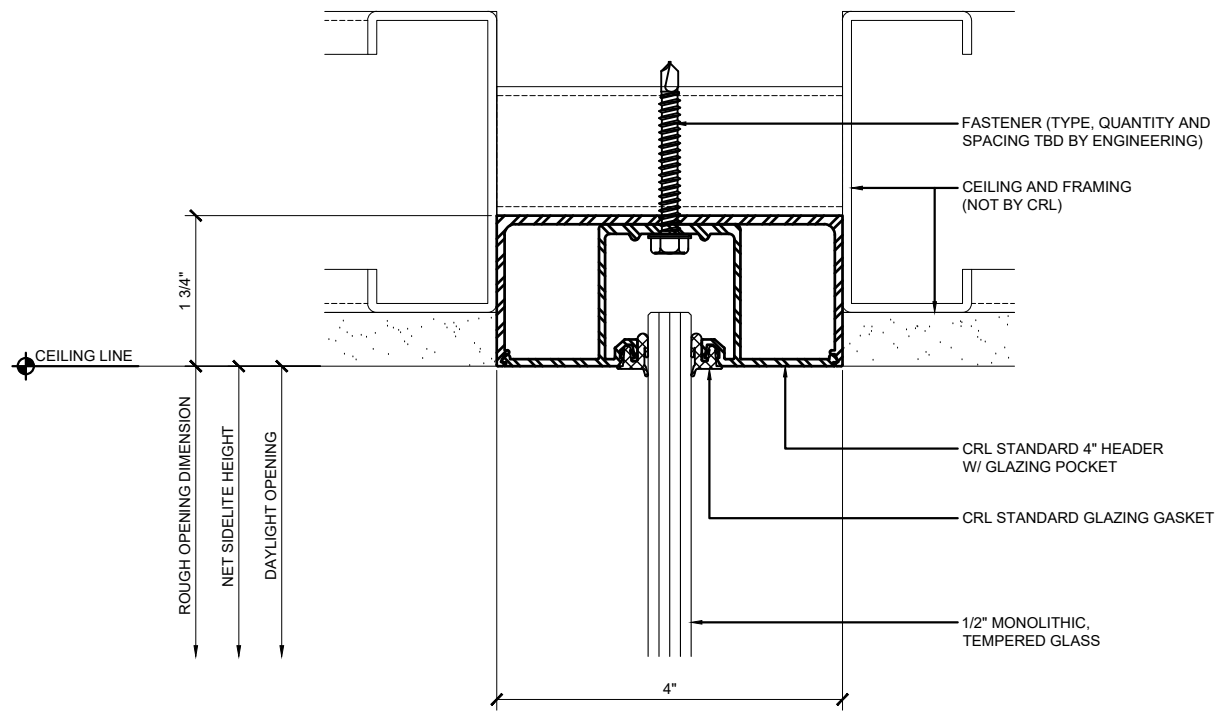
DOOR SILL AT LOCK (1.4)

Revisions By:

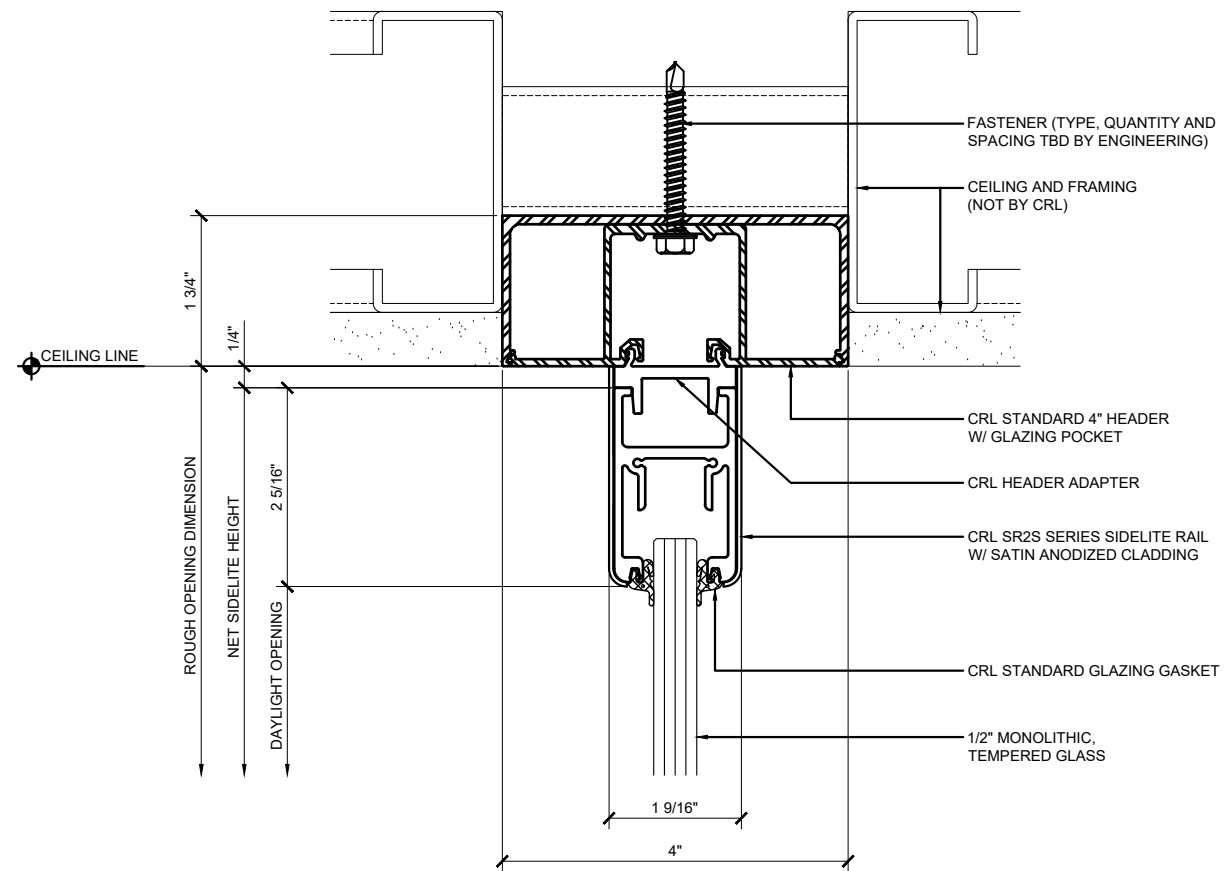


Description:
CRL CLEAR VIEW
GLASS WALL
OFFICE SYSTEM

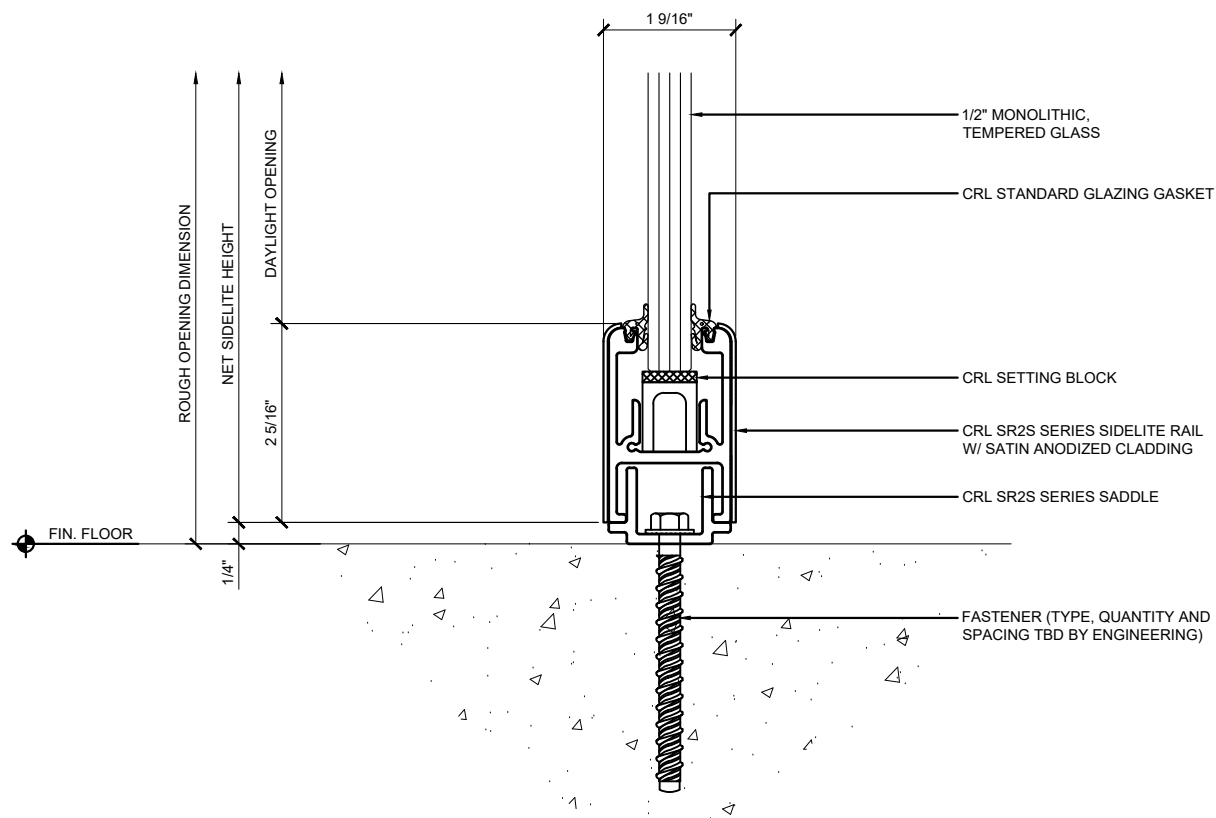
Drawn By: JG
Date: 11/25/2014
Scale: 1'-0" = 1'-0"
File Name:
CRL CLEAR VIEW GLASS WALL OFFICE SYSTEM.dwg



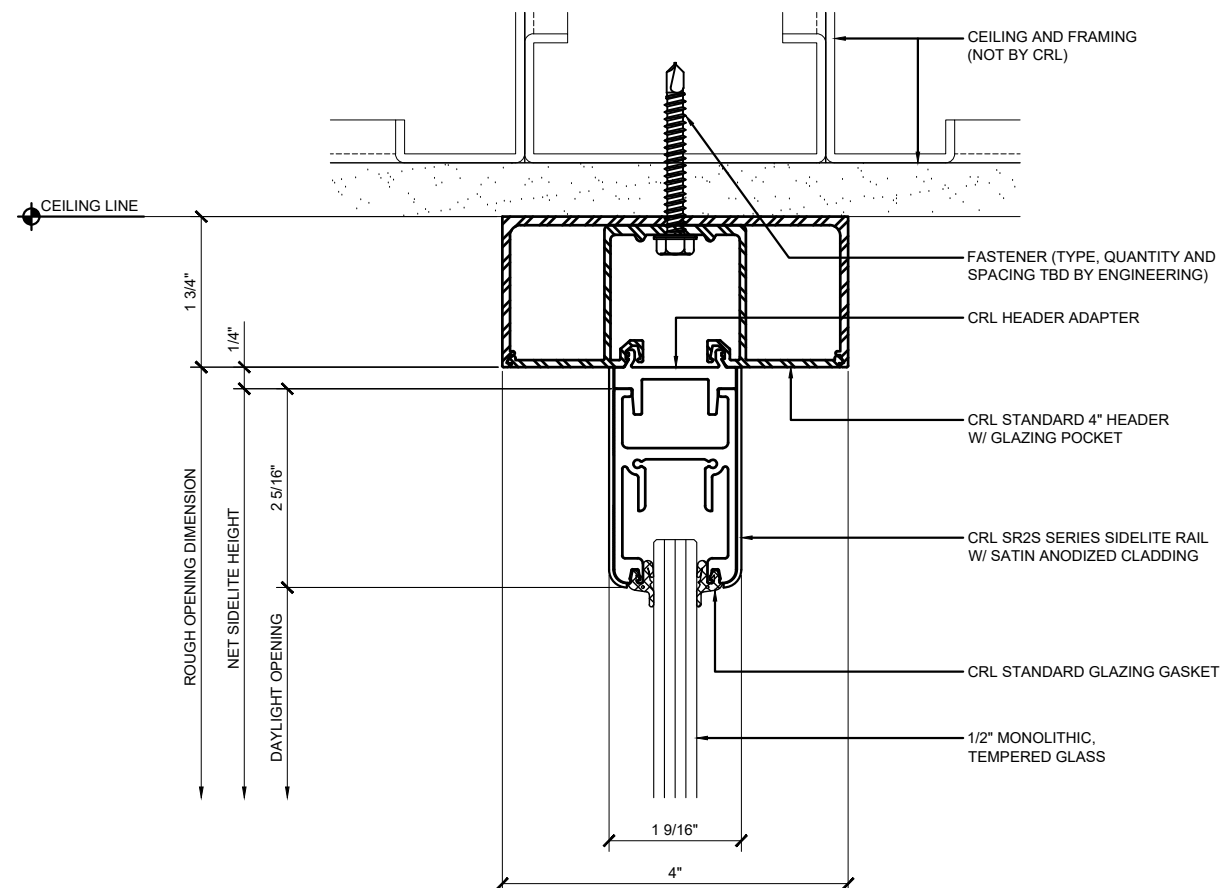
SIDELITE HEAD AT RECESSED HEADER (1.5)



SIDELITE HEAD AT RECESSED HEADER W/ RAIL (1.7)



TYPICAL SIDELITE SILL (1.6)



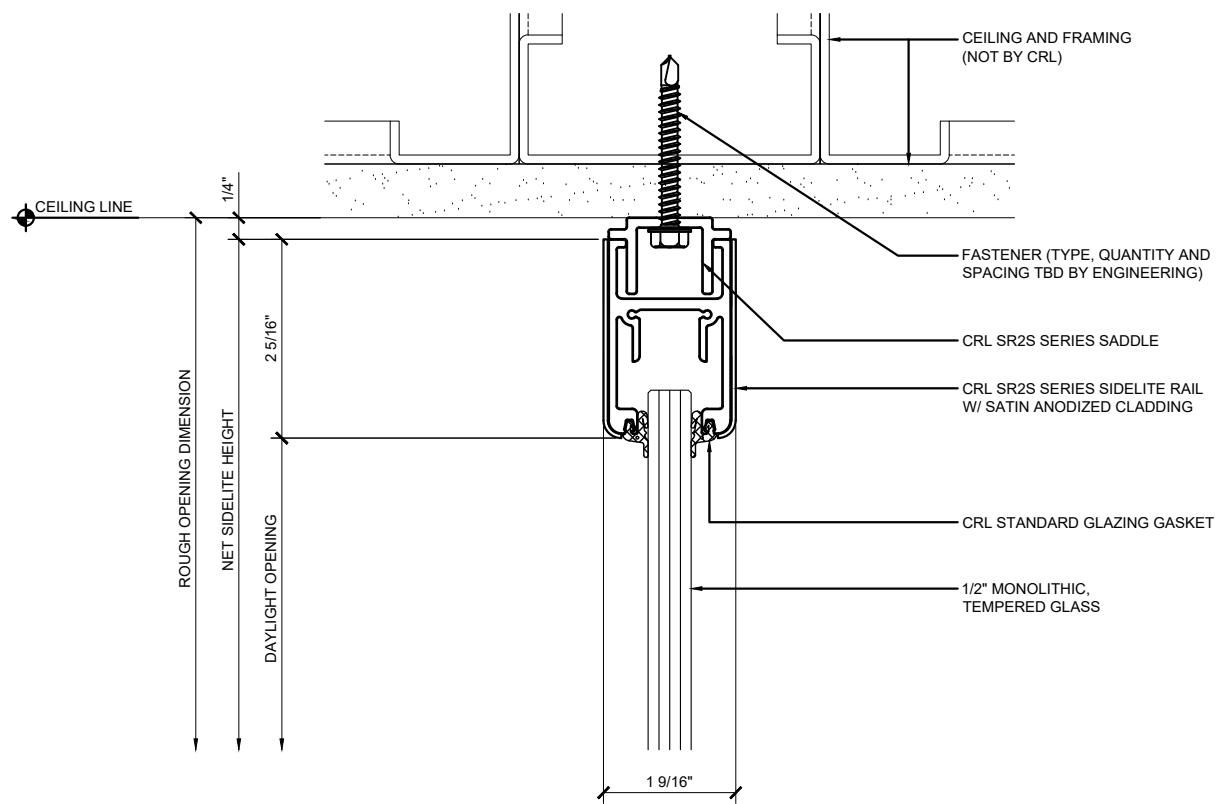
SIDELITE HEAD AT EXPOSED HEADER W/ RAIL (1.8)

Revisions By:



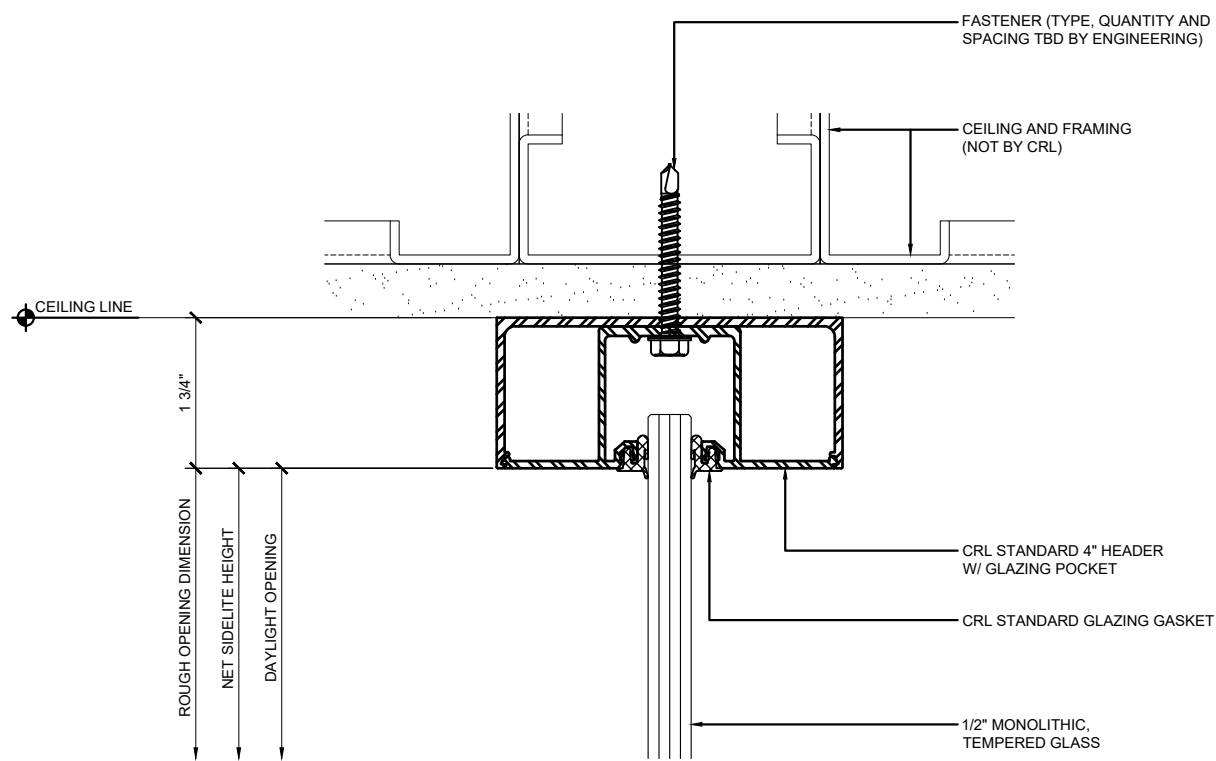
Description:
CRL CLEAR VIEW
GLASS WALL
OFFICE SYSTEM

Drawn By: JG
Date: 11/25/2014
Scale: 1'-0" = 1'-0"
File Name:
CRL CLEAR VIEW GLASS WALL OFFICE SYSTEM.dwg



SIDELITE HEAD AT CEILING

1.9



SIDELITE HEAD AT EXPOSED HEADER

1.10

Revisions By:

CRL
A CRH COMPANY

2908 E. Vernon Avenue, Los Angeles, CA 90058-1887
PH: (800)-421-6144 FX: (800)-597-7501 www.crlaurence.com

Description:

CRL CLEAR VIEW
GLASS WALL
OFFICE SYSTEM

Drawn By: JG

Date: 11/25/2014

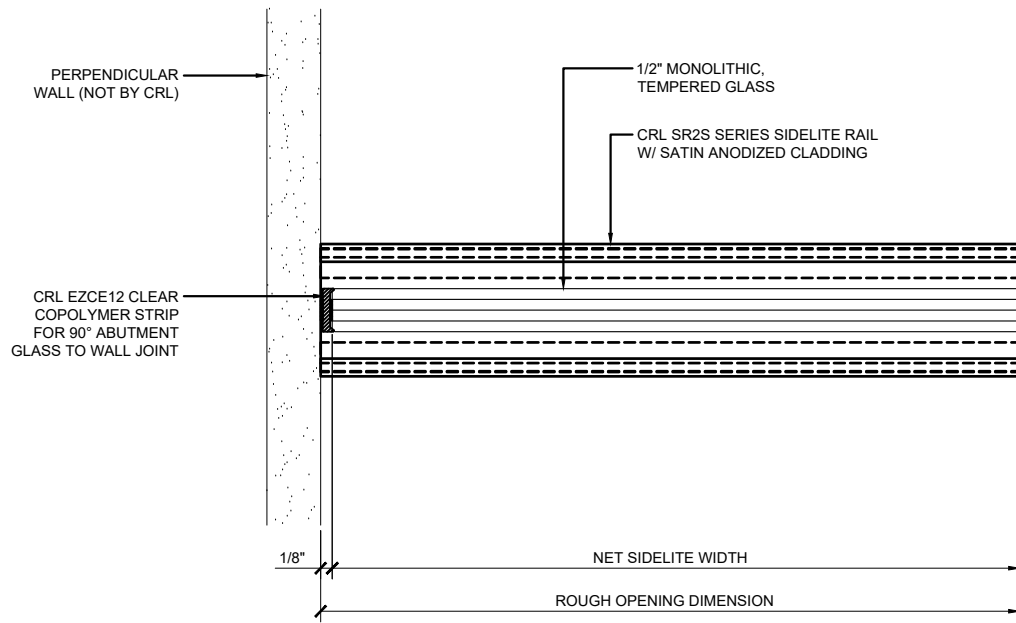
Scale: 1'-0" = 1'-0"

File Name:

CRL CLEAR VIEW GLASS WALL OFFICE SYSTEM.dwg

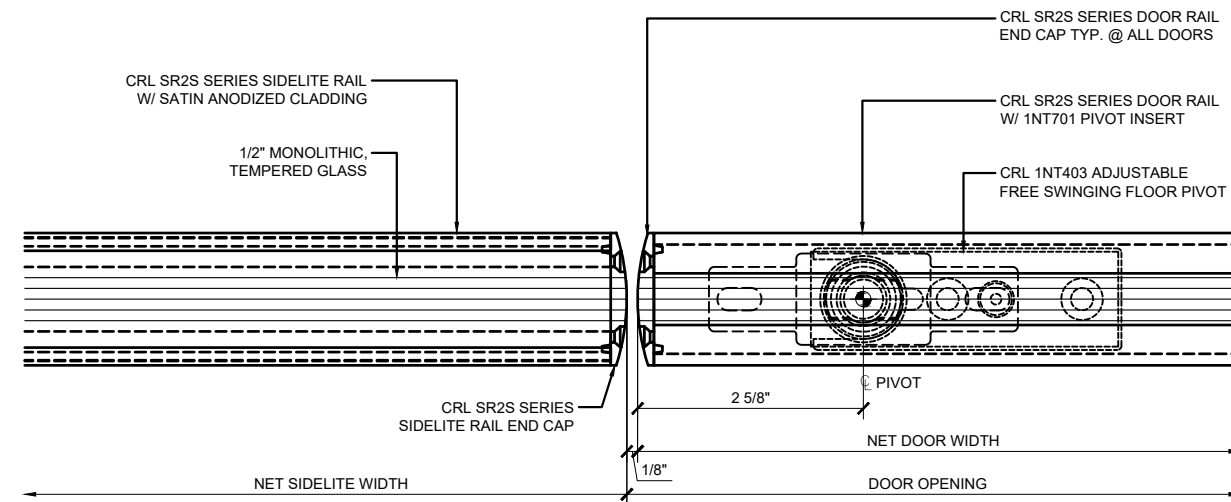
Sheet

4



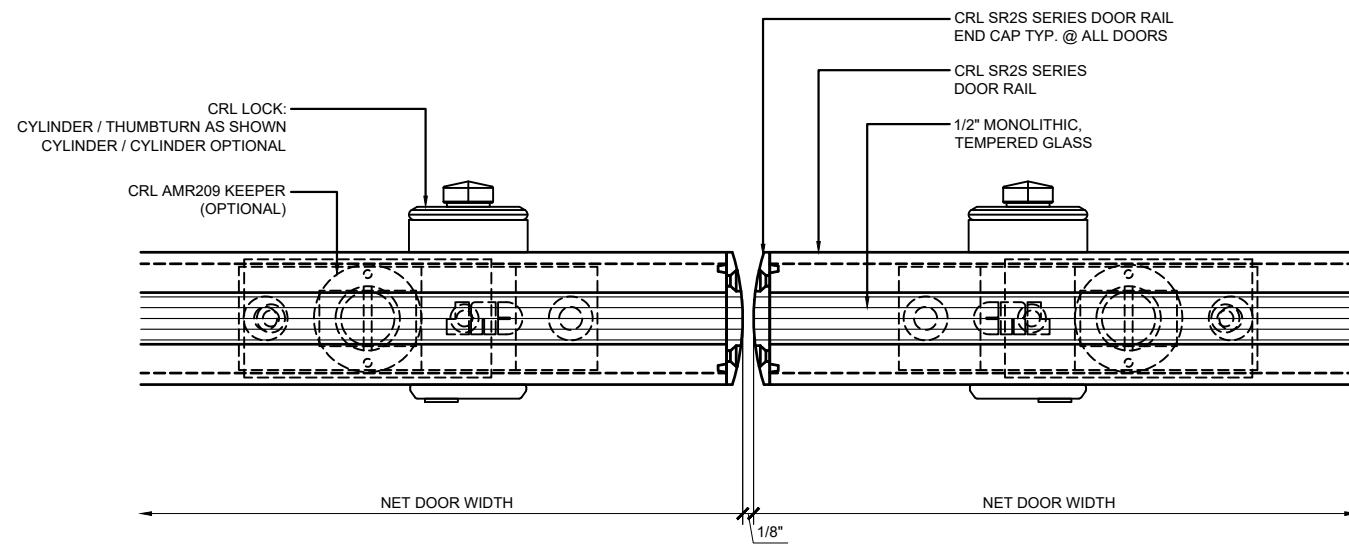
SIDELITE AT WALL

2.1



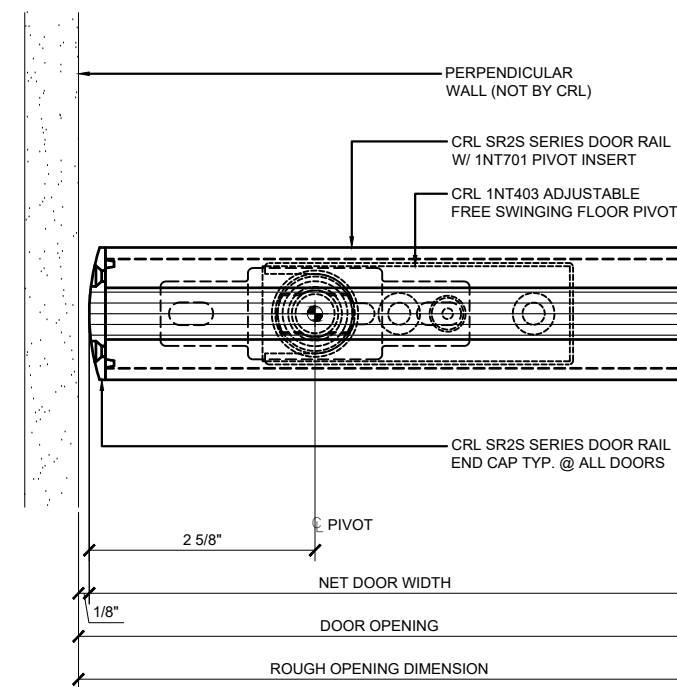
DOOR JAMB AT SIDELITE

2.3



DOOR JAMB AT DOOR JAMB

2.2



DOOR JAMB AT WALL

2.4

Revisions By:

CRL
A CRH COMPANY

2909 E. Vernon Avenue, Los Angeles, CA 90058-1897
PH: (800)-421-6144 FX: (800)-597-7501 www.crlaerose.com

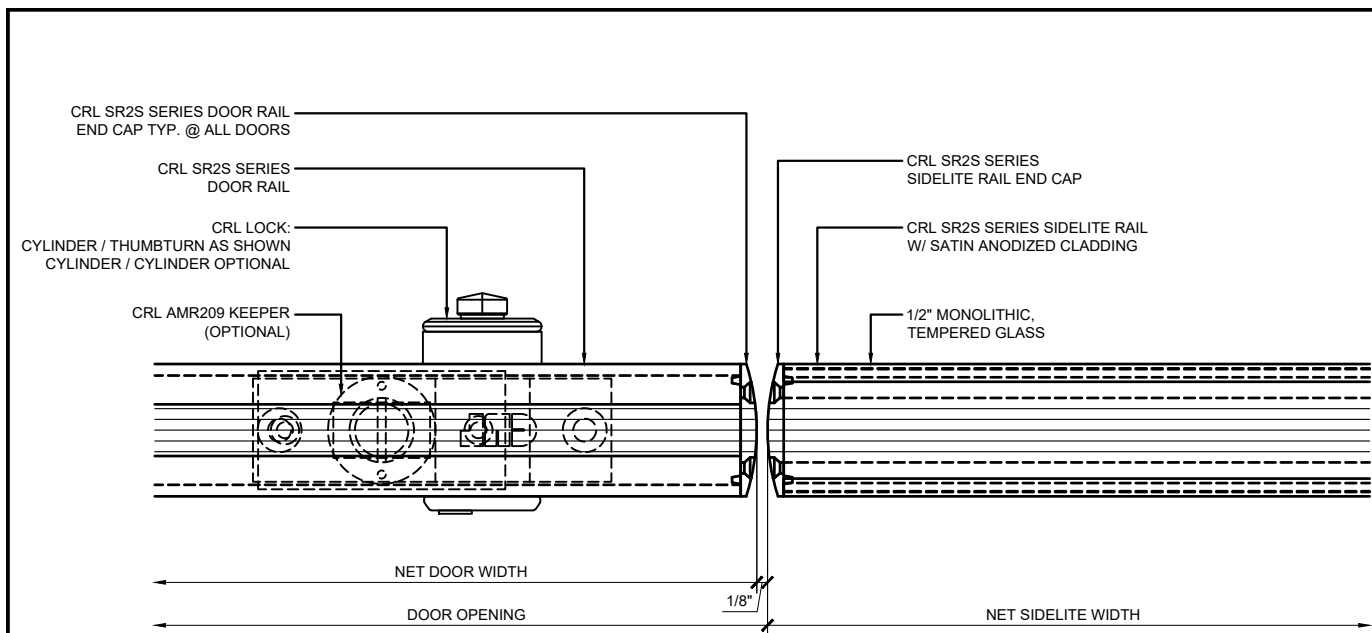
Description:
CRL CLEAR VIEW
GLASS WALL
OFFICE SYSTEM

Drawn By: JG
Date: 11/25/2014
Scale: 1'-0" = 1'-0"
File Name:

CRL CLEAR VIEW GLASS WALL OFFICE SYSTEM.dwg

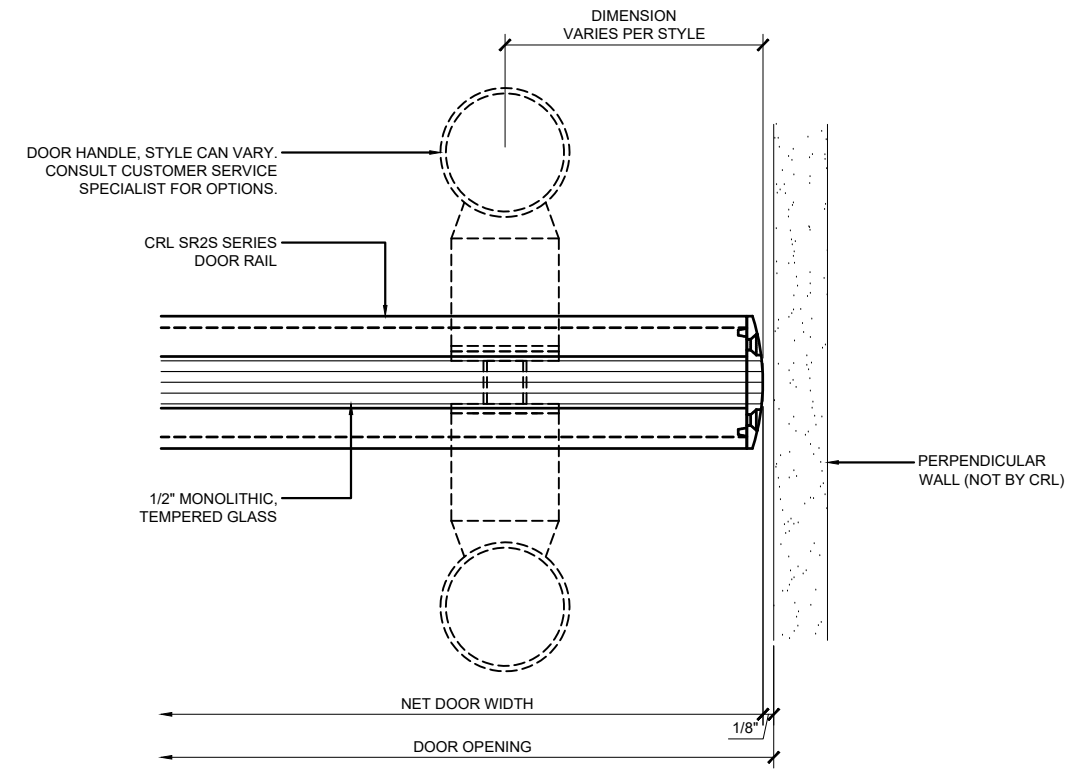
Sheet

5



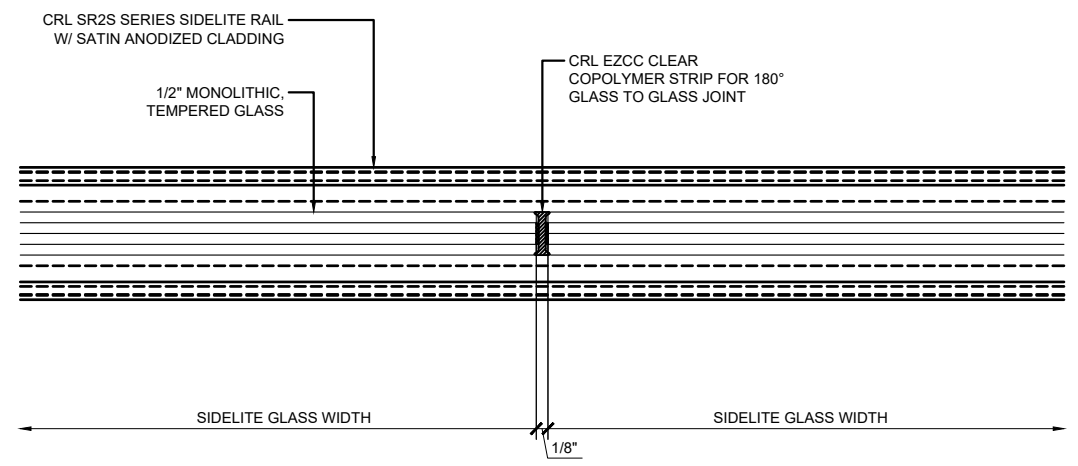
DOOR JAMB AT SIDELITE

2.5



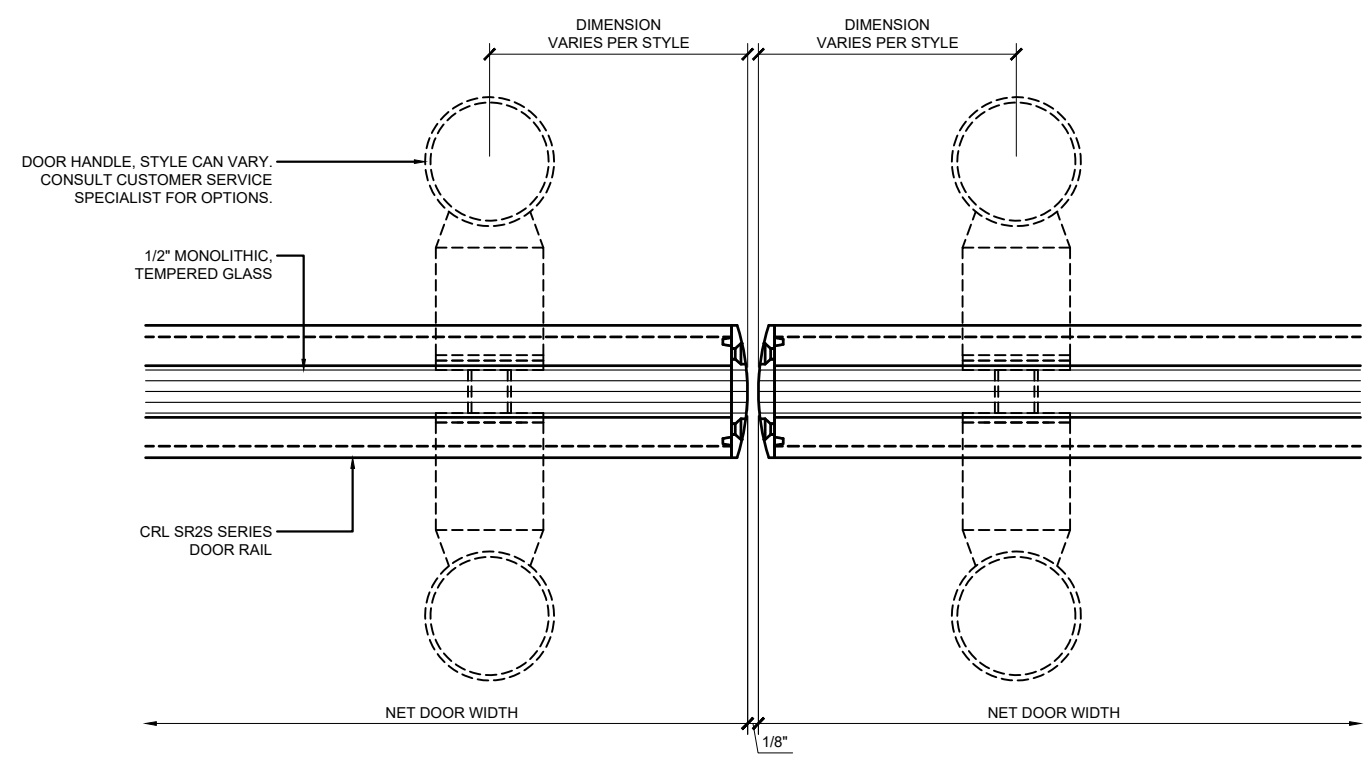
DOOR JAMB AT WALL

2.7



TYPICAL SIDELITE GLASS JOINT

2.6



DOOR JAMB AT DOOR JAMB

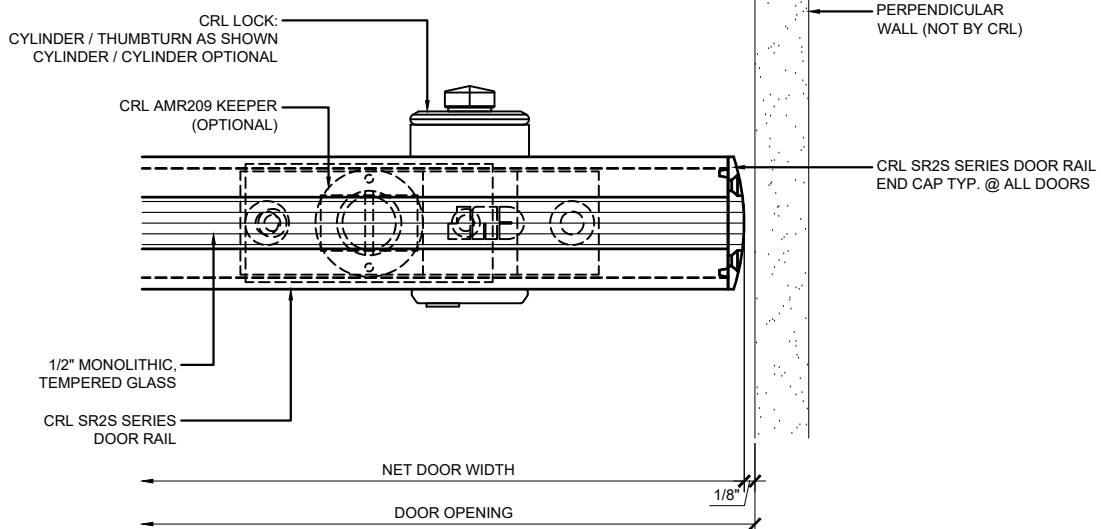
2.8

Revisions By:

2909 E. Vernon Avenue, Los Angeles, CA 90058-1897
PH: (800)-421-6144 FX: (800)-597-7501 www.crlaerose.com

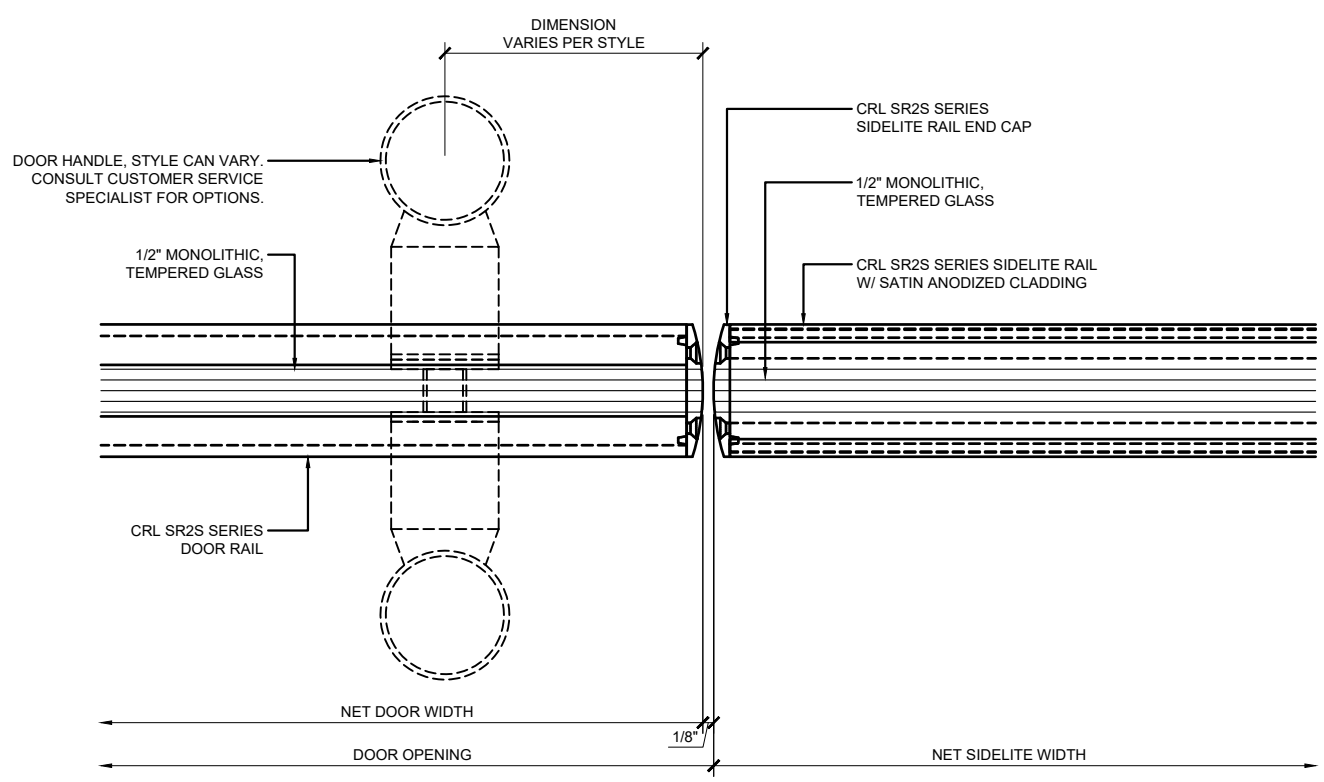
Description:
CRL CLEAR VIEW
GLASS WALL
OFFICE SYSTEM

Drawn By: JG
Date: 11/25/2014
Scale: 1'-0" = 1'-0"
File Name:
CRL CLEAR VIEW GLASS WALL OFFICE SYSTEM.dwg



DOOR JAMB AT WALL

2.9



DOOR JAMB AT SIDELITE

2.10

Revisions By:



Description:
CRL CLEAR VIEW
GLASS WALL
OFFICE SYSTEM

Drawn By: JG
Date: 11/25/2014
Scale: 1'-0" = 1'-0"
File Name:
CRL CLEAR VIEW GLASS WALL OFFICE SYSTEM.dwg

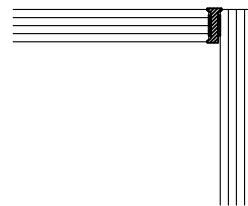
Revisions By:

CRL
A CRH COMPANY

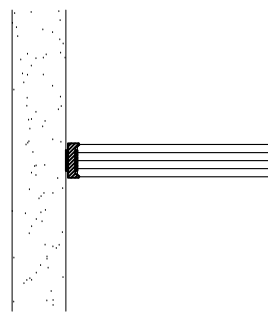
2909 E. Vernon Avenue, Los Angeles, CA 90058-1897
PH: (800)-421-6144 FX: (800)-597-7501 www.crlaurence.com



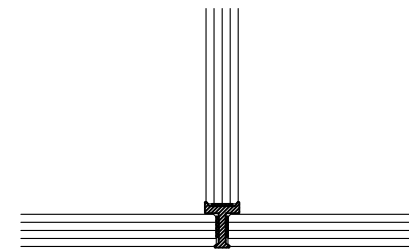
EZCC10 - CRL CLEAR
COPOLYMER STRIP FOR 180°
GLASS-TO-GLASS JOINT



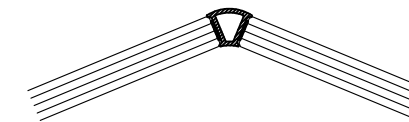
EZCL10 - CRL CLEAR
COPOLYMER STRIP FOR 90°
GLASS-TO-GLASS JOINT



EZCE10 - CRL CLEAR
COPOLYMER STRIP FOR 90°
ABUTMENT TO WALL



EZCT10 - CRL CLEAR
COPOLYMER STRIP FOR T-JOINT
JUNCTIONS WHERE 3 GLASS
PANELS MEET

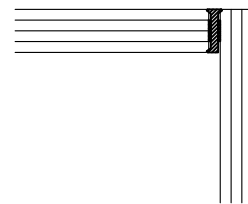


EZCA10 - CRL CLEAR
COPOLYMER STRIP FOR 135°
GLASS-TO-GLASS JOINT

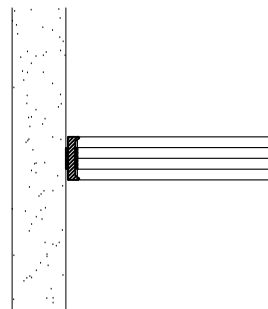
CLEAR COPOLYMER STRIP FOR GLASS-TO-GLASS JOINT FOR 3/8" (10mm) MONOLITHIC, TEMPERED GLASS



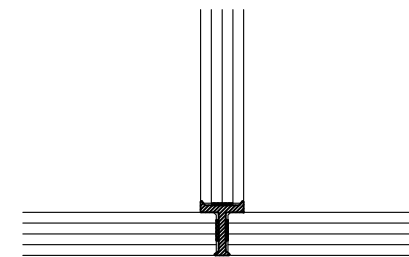
EZCC12 - CRL CLEAR
COPOLYMER STRIP FOR 180°
GLASS-TO-GLASS JOINT



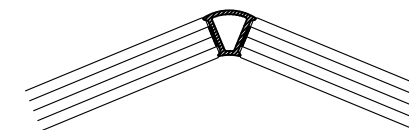
EZCL12 - CRL CLEAR
COPOLYMER STRIP FOR 90°
GLASS-TO-GLASS JOINT



EZCE12 - CRL CLEAR
COPOLYMER STRIP FOR 90°
ABUTMENT TO WALL



EZCT12 - CRL CLEAR
COPOLYMER STRIP FOR T-JOINT
JUNCTIONS WHERE 3 GLASS
PANELS MEET



EZCA12 - CRL CLEAR
COPOLYMER STRIP FOR 135°
GLASS-TO-GLASS JOINT

CLEAR COPOLYMER STRIP FOR GLASS-TO-GLASS JOINT FOR 1/2" (12mm) MONOLITHIC, TEMPERED GLASS

Description:
CRL CLEAR VIEW
GLASS WALL
OFFICE SYSTEM

Drawn By: JG

Date: 11/25/2014

Scale: 1'-0" = 1'-0"

File Name:

CRL CLEAR VIEW GLASS WALL OFFICE SYSTEM.dwg

Sheet

8