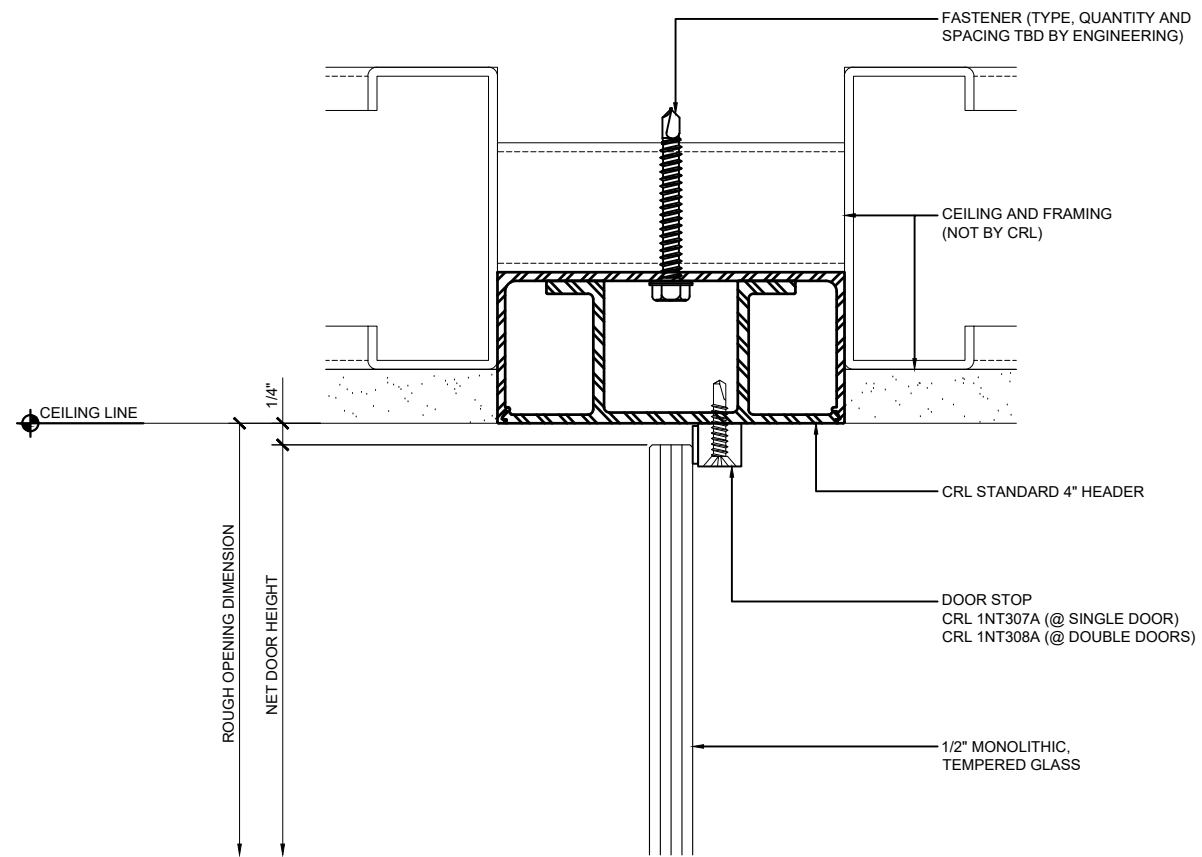


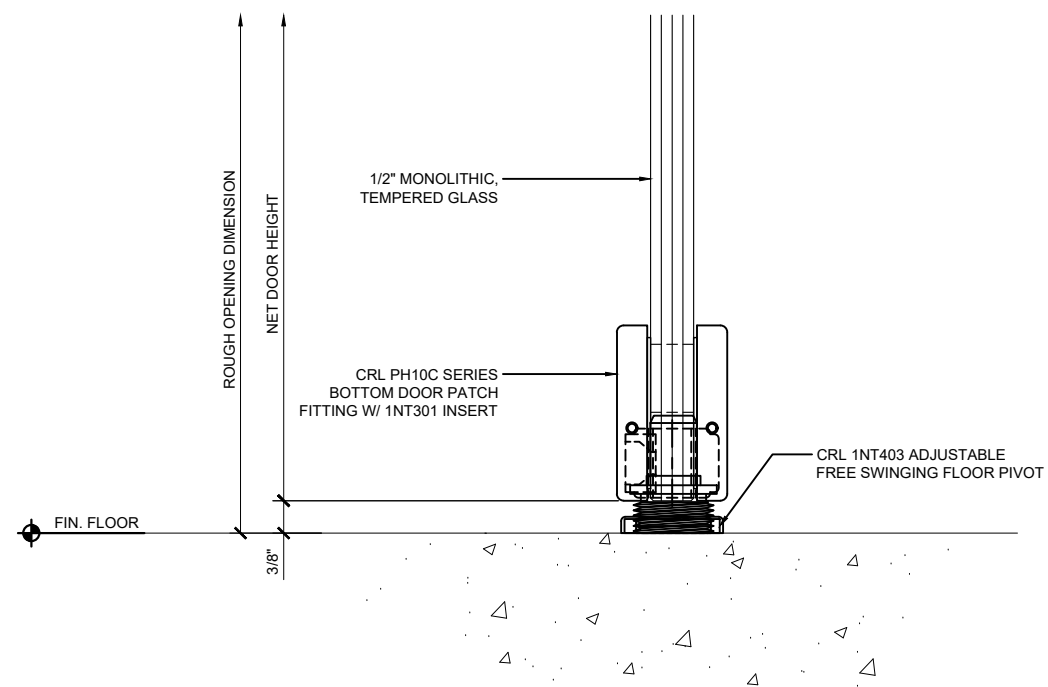
**DOOR HEAD AT RECESSED CLOSER**

1.1



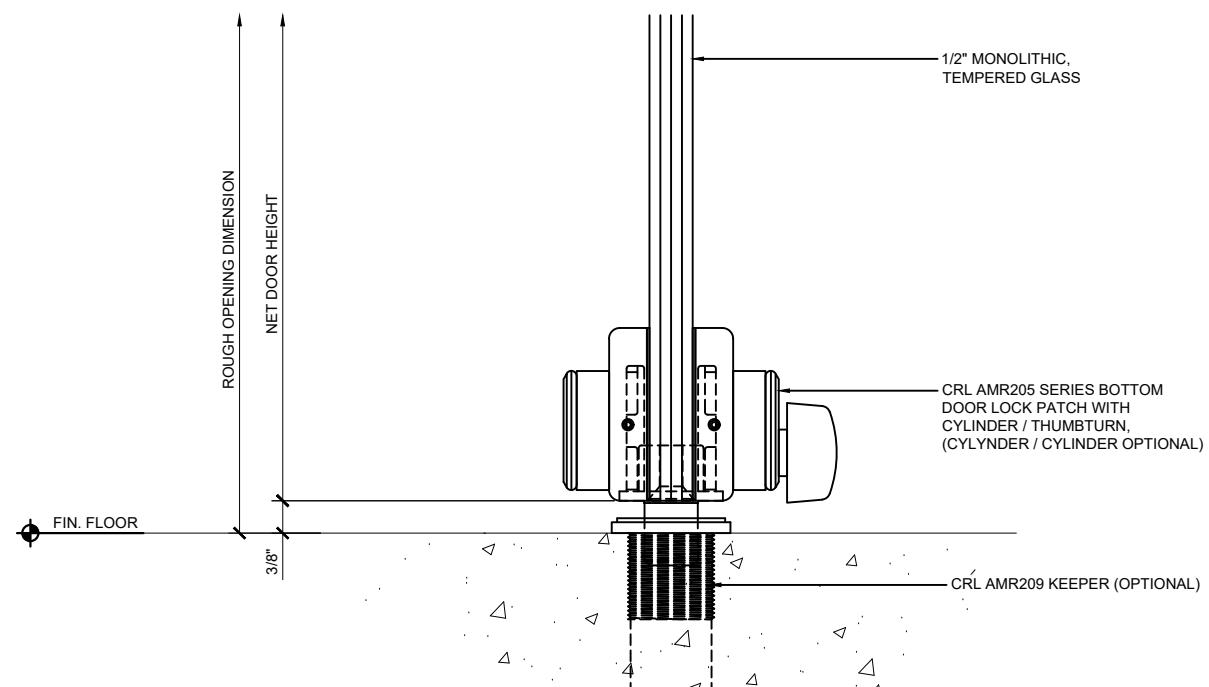
**DOOR HEAD AT DOOR STOP**

1.3



**DOOR SILL AT PIVOT**

1.2



**DOOR SILL AT LOCK**

1.4

Revisions By:

**CRL**

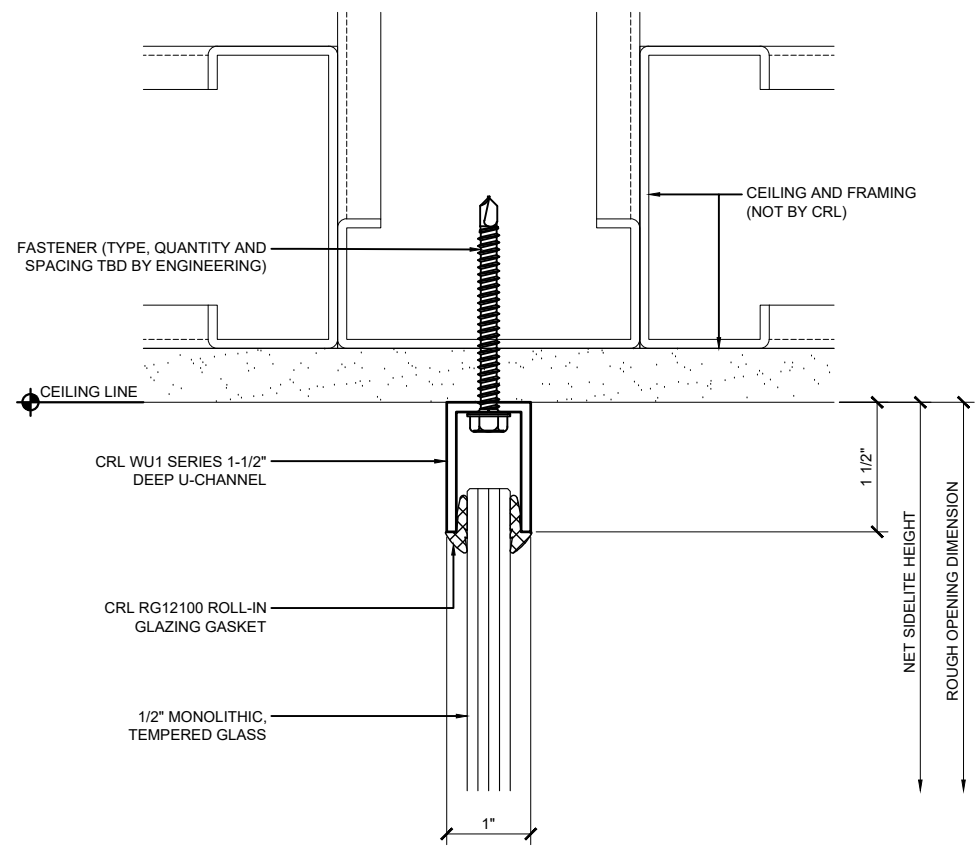
2503 E. Vernon Avenue, Los Angeles, CA 90058-1897  
PH (800)-421-6144 FX (800)-567-7501 www.crlaurence.com

Description: CRL  
CASCADE  
GLASS WALL  
OFFICE  
SYSTEM

Drawn By: JG  
Date: 11/24/2014  
Scale: 1'-0" = 1'-0"  
File Name: CRL CASCADE GLASS WALL OFFICE SYSTEM.dwg

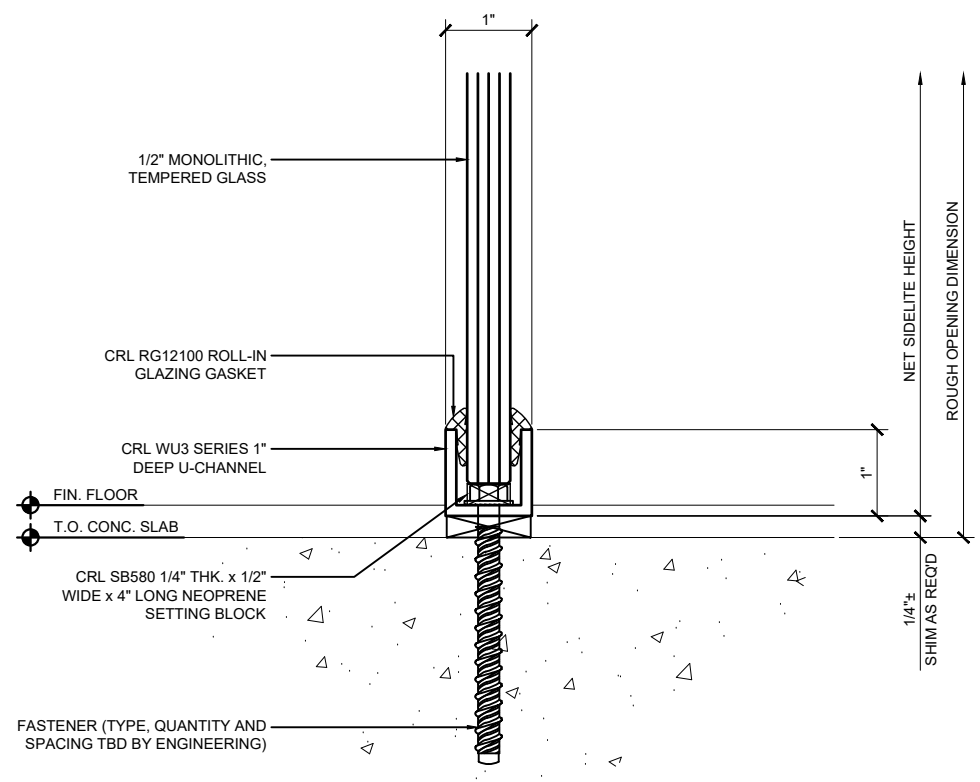
Sheet

2



**SIDELITE HEAD DETAIL**

1.5



**SIDELITE SILL DETAIL**

1.6

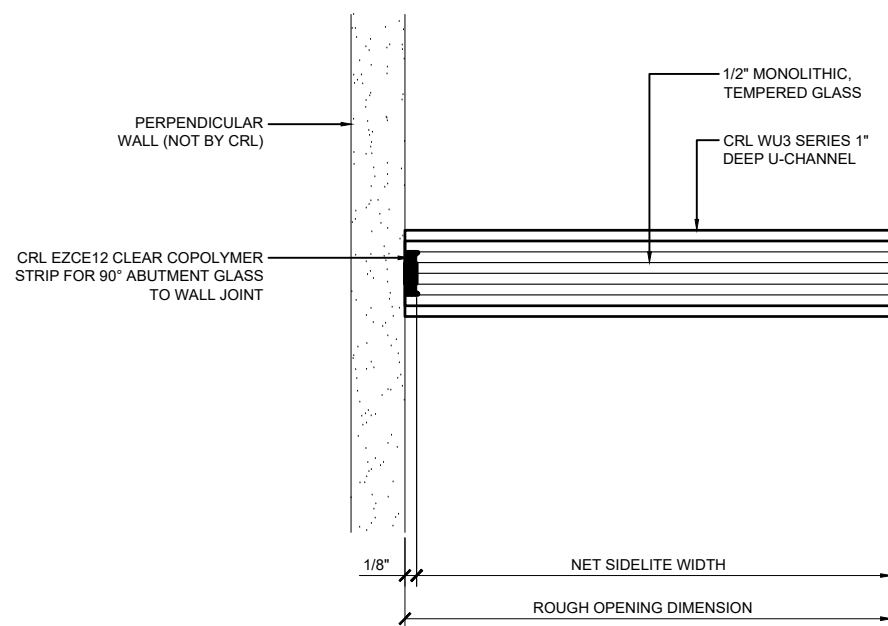
Revisions By:



2503 E. Vernon Avenue, Los Angeles, CA 90058-1897  
 PH (800)-421-6144 FX: 800-587-7501 www.crlaurence.com

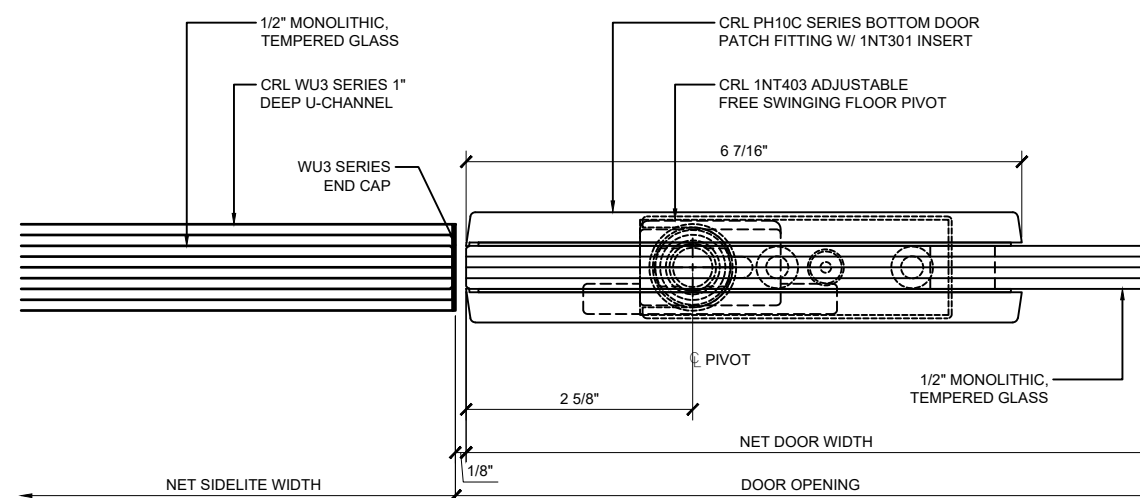
Description: CRL  
 CASCADE  
 GLASS WALL  
 OFFICE  
 SYSTEM

Drawn By: JG  
 Date: 11/24/2014  
 Scale: 1'-0" = 1'-0"  
 File Name:  
 CRL CASCADE GLASS WALL OFFICE SYSTEM.dwg



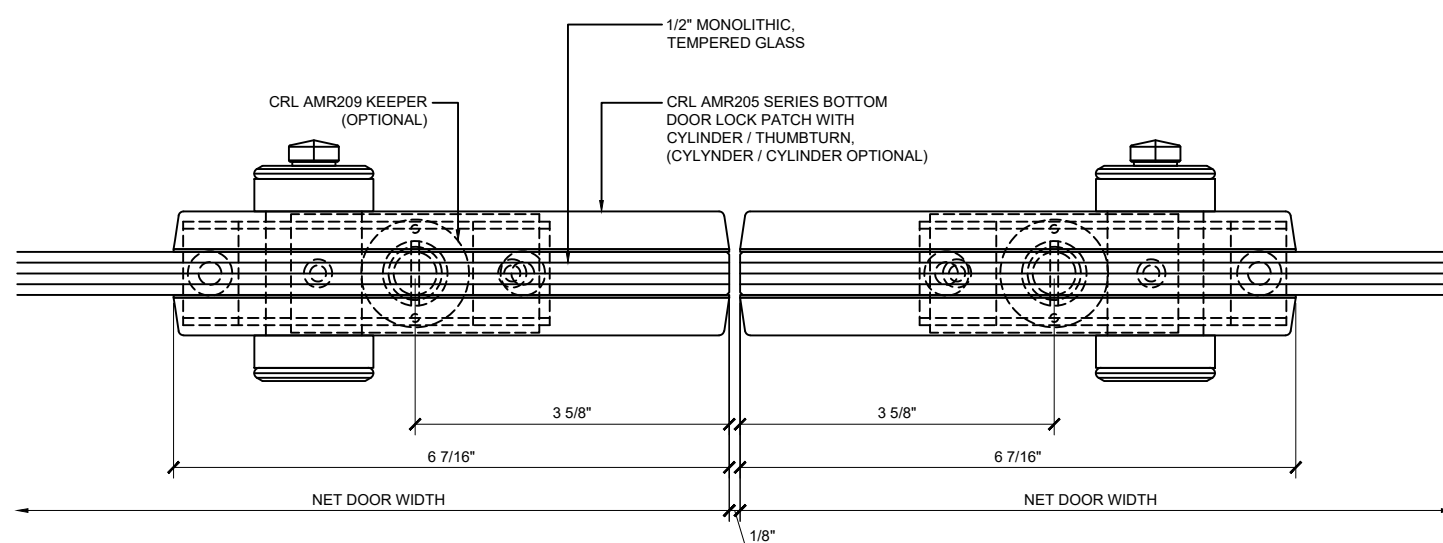
**SIDELITE AT WALL**

2.1



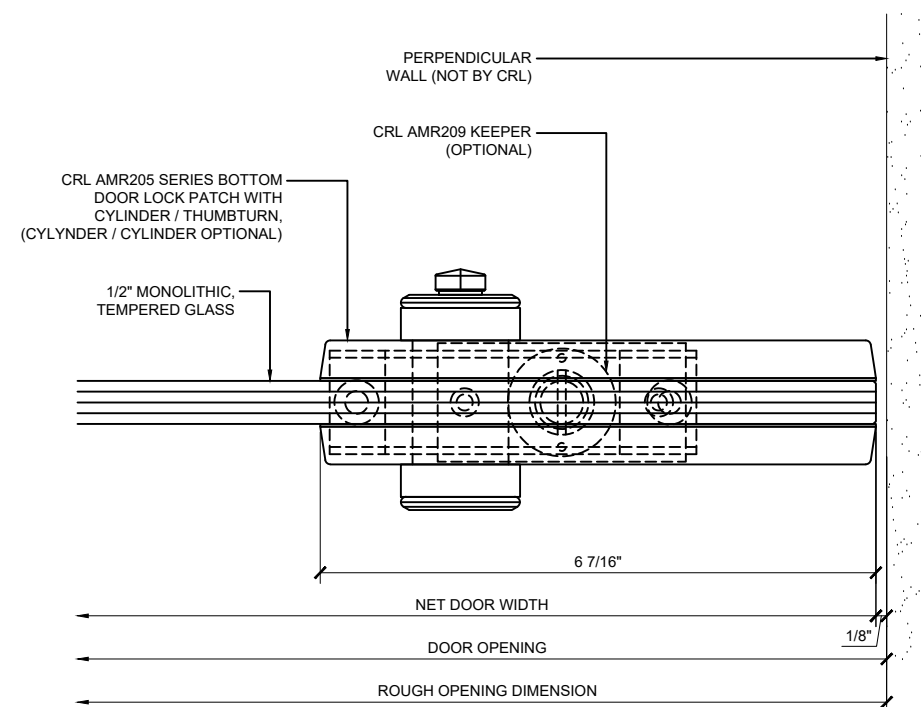
**DOOR JAMB AT SIDELITE**

2.3



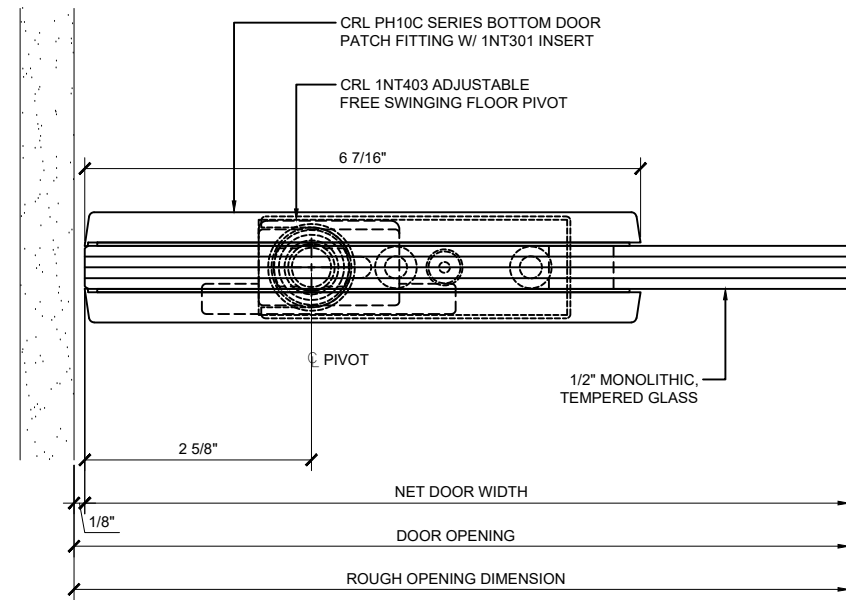
**DOOR JAMB AT DOOR JAMB**

2.2



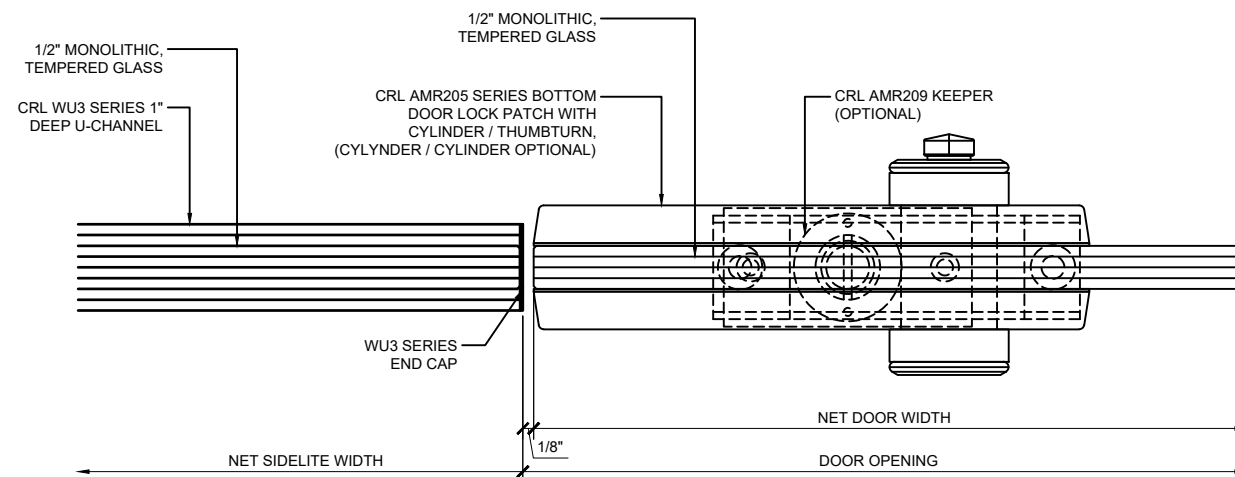
**DOOR JAMB AT WALL**

2.4



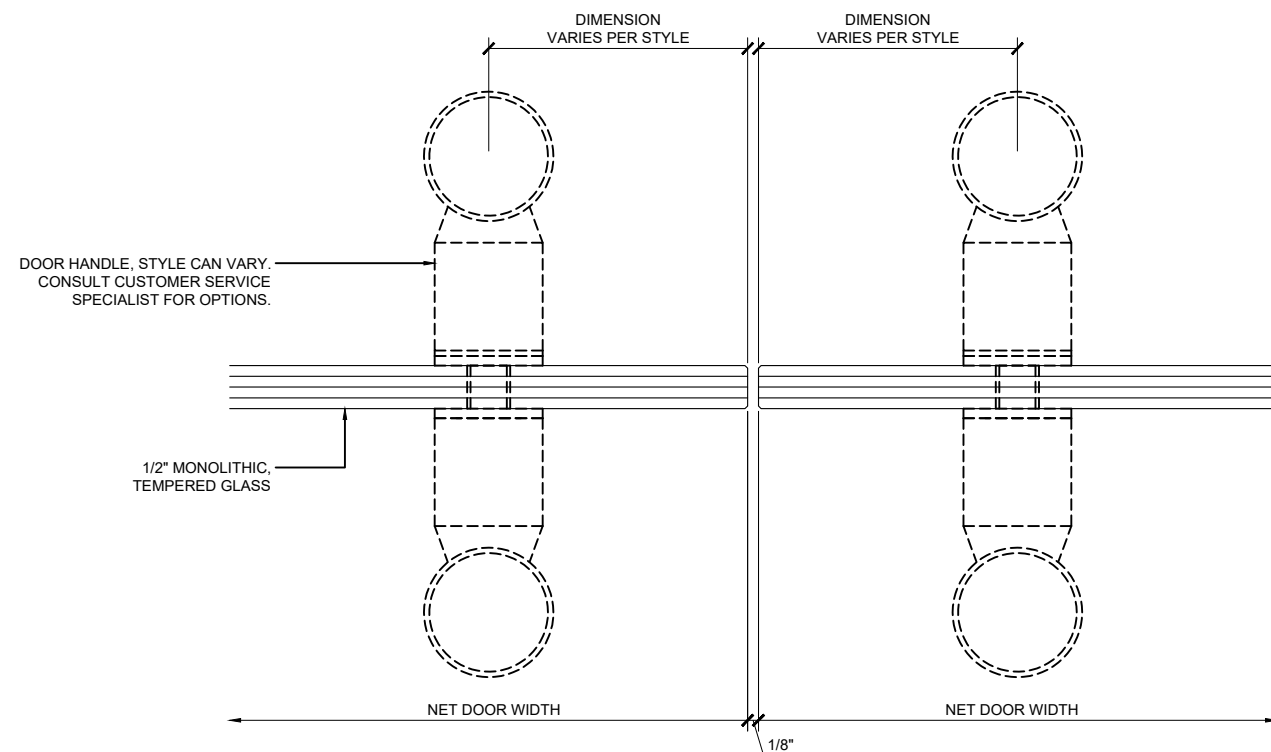
DOOR JAMB AT WALL

2.5



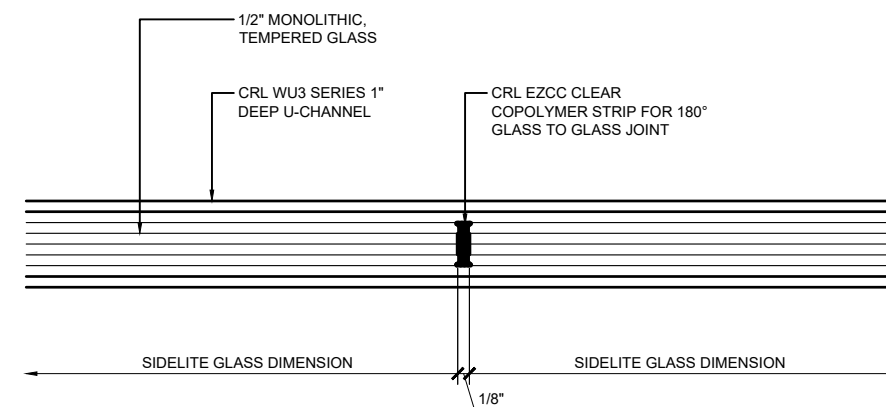
DOOR JAMB AT SIDELITE

2.7



DOOR JAMB AT DOOR JAMB

2.6



SIDELITE GLASS JOINT

2.8

Revisions By:

**CRL**

2503 E. Vernon Avenue, Los Angeles, CA 90058-1897  
PH (800)-421-6144 FX: 800-587-7501 www.crlaurence.com

Description: CRL  
CASCADE  
GLASS WALL  
OFFICE  
SYSTEM

Drawn By: JG

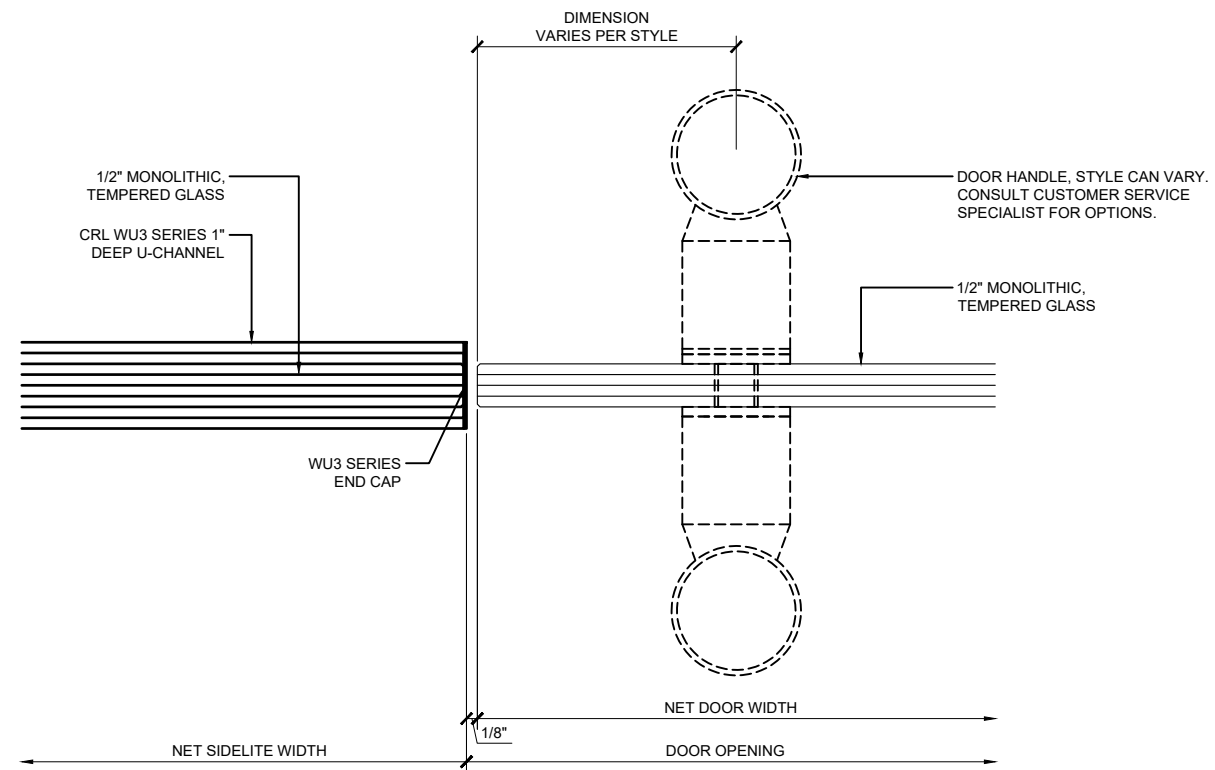
Date: 11/24/2014

Scale: 1'-0"=1'-0"

File Name:  
CRL CASCADE GLASS WALL OFFICE SYSTEM.dwg

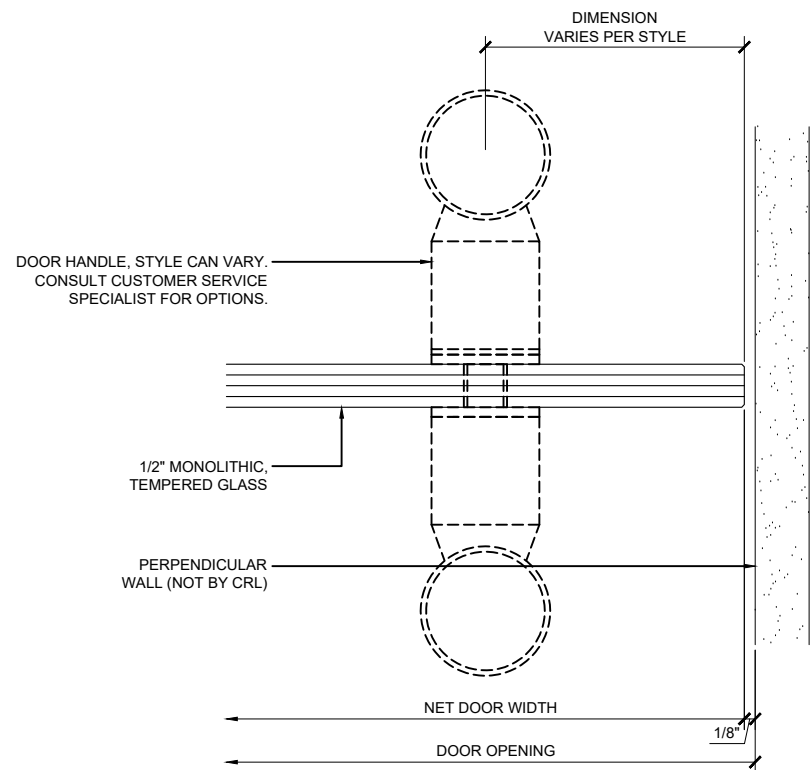
Sheet

5



**DOOR JAMB AT SIDELITE**

2.9



**DOOR JAMB AT WALL**

2.10

Revisions By:

**CRL**

2503 E. Vernon Avenue, Los Angeles, CA 90058-1897  
 PH (800)-421-6144 FX: 800-587-7501 www.crlaurence.com

Description: CRL  
 CASCADE  
 GLASS WALL  
 OFFICE  
 SYSTEM

Drawn By: JG

Date: 11/24/2014

Scale: 1'-0" = 1'-0"

File Name:  
 CRL CASCADE GLASS WALL OFFICE SYSTEM.dwg

Sheet

6

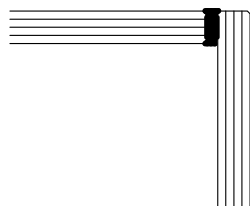
Revisions By:

**CRL**

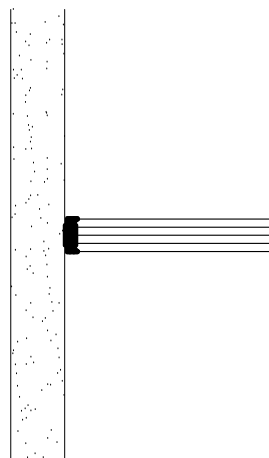
2503 E. Vemon Avenue, Los Angeles, CA 90058-1897  
PH (800)-421-6144 FX: 800-587-7501 www.crlaurence.com



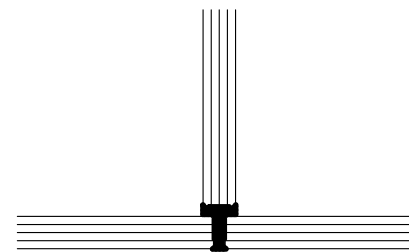
EZCC10 - CRL CLEAR COPOLYMER STRIP FOR 180° GLASS-TO-GLASS JOINT



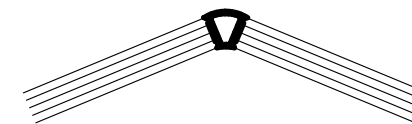
EZCL10 - CRL CLEAR COPOLYMER STRIP FOR 90° GLASS-TO-GLASS JOINT



EZCE10 - CRL CLEAR COPOLYMER STRIP FOR 90° ABUTMENT TO WALL



EZCT10 - CRL CLEAR COPOLYMER STRIP FOR T-JOINT JUNCTIONS WHERE 3 GLASS PANELS MEET

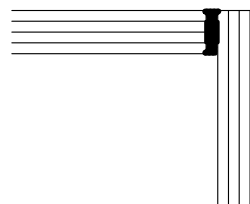


EZCA10 - CRL CLEAR COPOLYMER STRIP FOR 135° GLASS-TO-GLASS JOINT

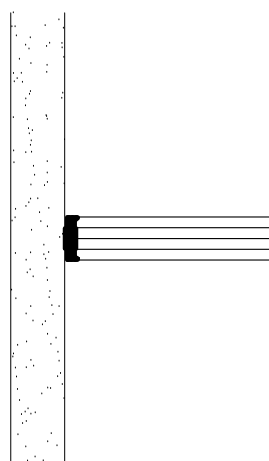
**CLEAR COPOLYMER STRIP FOR GLASS-TO-GLASS JOINT FOR 3/8" (10mm) MONOLITHIC, TEMPERED GLASS**



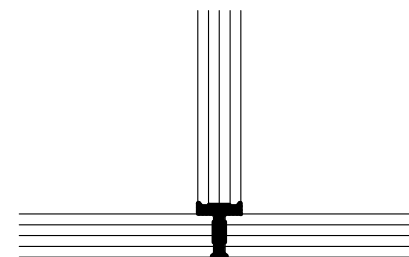
EZCC12 - CRL CLEAR COPOLYMER STRIP FOR 180° GLASS-TO-GLASS JOINT



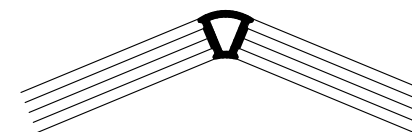
EZCL12 - CRL CLEAR COPOLYMER STRIP FOR 90° GLASS-TO-GLASS JOINT



EZCE12 - CRL CLEAR COPOLYMER STRIP FOR 90° ABUTMENT TO WALL



EZCT12 - CRL CLEAR COPOLYMER STRIP FOR T-JOINT JUNCTIONS WHERE 3 GLASS PANELS MEET



EZCA12 - CRL CLEAR COPOLYMER STRIP FOR 135° GLASS-TO-GLASS JOINT

**CLEAR COPOLYMER STRIP FOR GLASS-TO-GLASS JOINT FOR 1/2" (12mm) MONOLITHIC, TEMPERED GLASS**

Description: CRL  
CASCADE  
GLASS WALL  
OFFICE  
SYSTEM

Drawn By: JG

Date: 11/24/2014

Scale: 1'-0" = 1'-0"

File Name:  
CRL CASCADE GLASS WALL OFFICE SYSTEM.dwg

Sheet

7