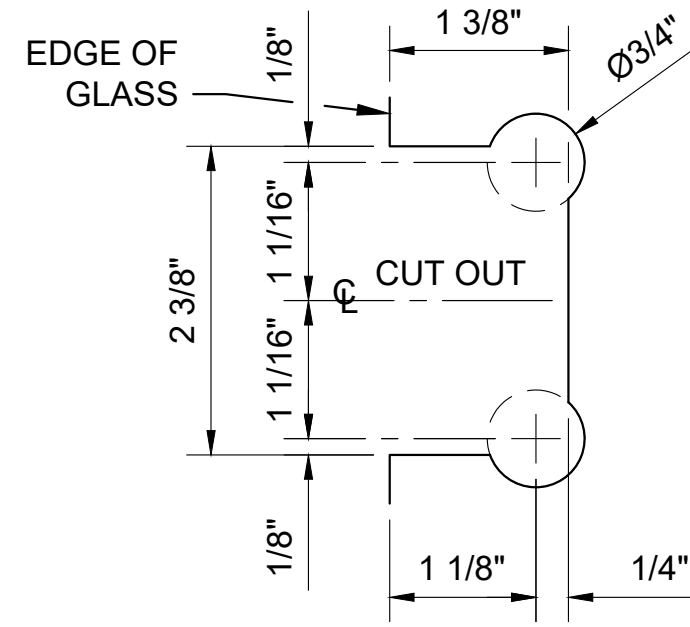
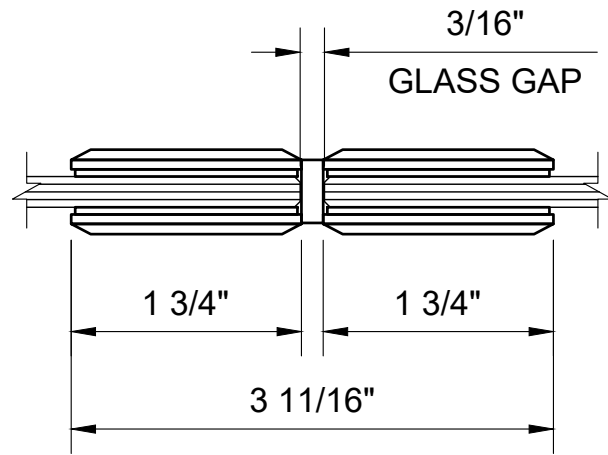
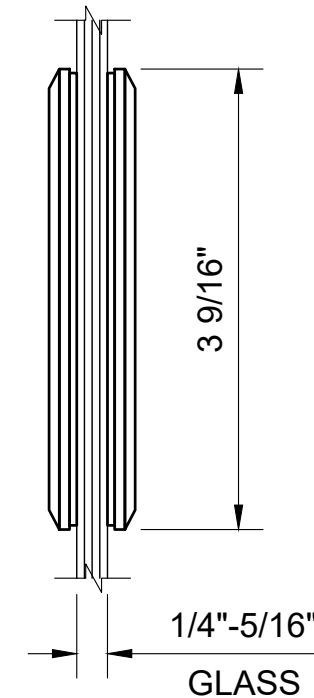
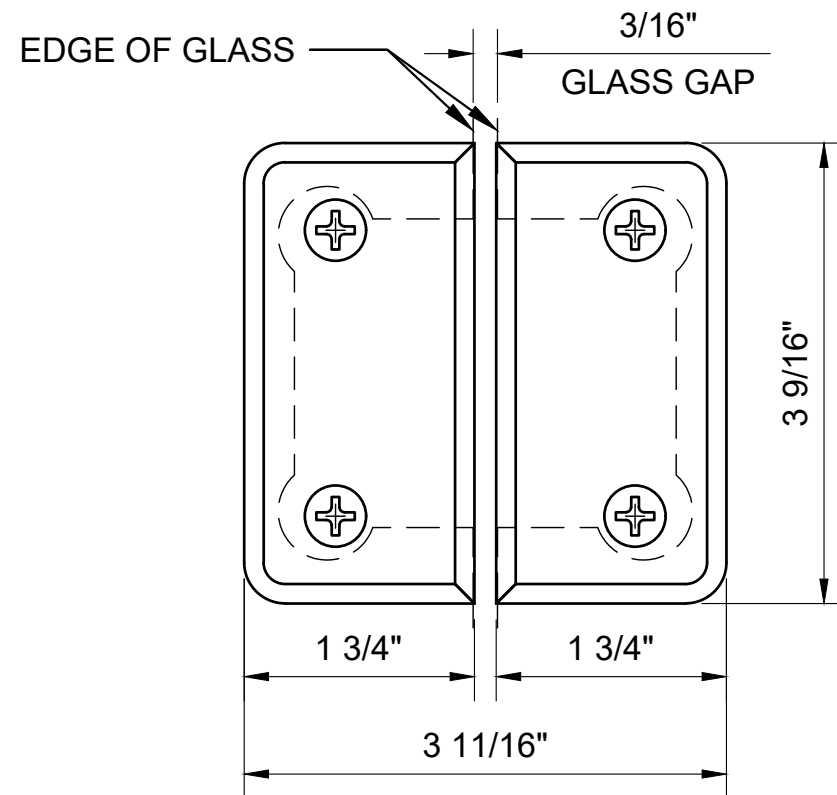


USE OF GASKETS
 FOR 1/4" (6mm) GLASS: USE ONE THICK GASKET ON EACH SIDE
 FOR 5/16" (8mm) GLASS: USE ONE THIN GASKET ON EACH SIDE



GLASS FABRICATION TEMPLATE



CATALOG NUMBER	FINISH
PET180CH	POLISHED CHROME
PET180BR	POLISHED BRASS
PET180RB	OIL RUBBED BRONZE
PET180BN	BRUSHED NICKEL
PET180GP	GOLD PLATE
PET180SC	SATIN CHROME

PET180XX - CRL PETITE SERIES 180 DEGREE GLASS TO GLASS HINGE

DATE: 3/7/19
 SCALE: 6"=1'-0"
 DRAWN BY: VM

DESCRIPTION: CRL PETITE SERIES HINGE
 CTS
 PET180__ 180° GLASS TO GLASS HINGE

C.R. LAURENCE CO. ARCHITECTURAL PRODUCTS
 2503 E. Vernon Avenue, Los Angeles, C.A 90058-1897
 PH (800)-421-6144 FX: 800-587-7501 www.crlaurence.com

