



**CRL**  
C.R. LAURENCE CO.  
ARCHITECTURAL PRODUCTS

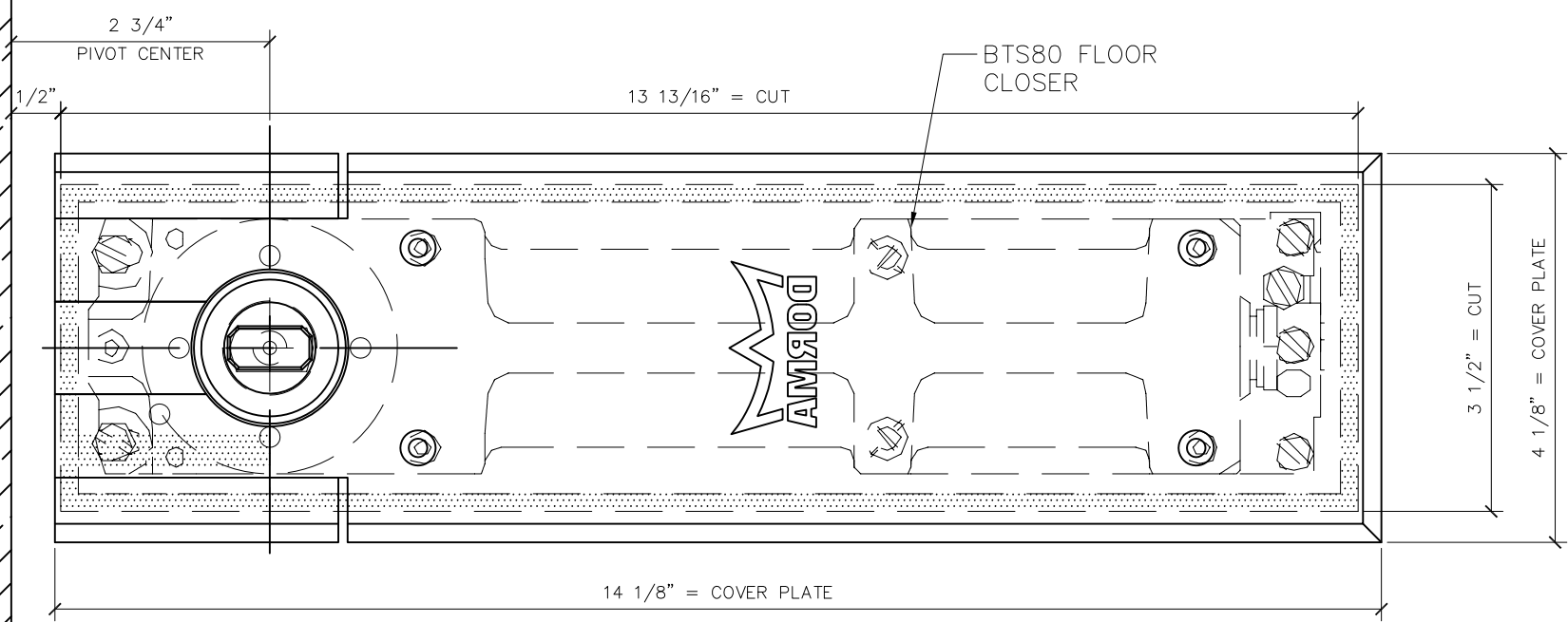
2503 E. Vernon Avenue, Los Angeles, CA 90058  
Phone: 800-421-6144 Fax: 800-262-3299  
www.crlaurence.com

Job Name:

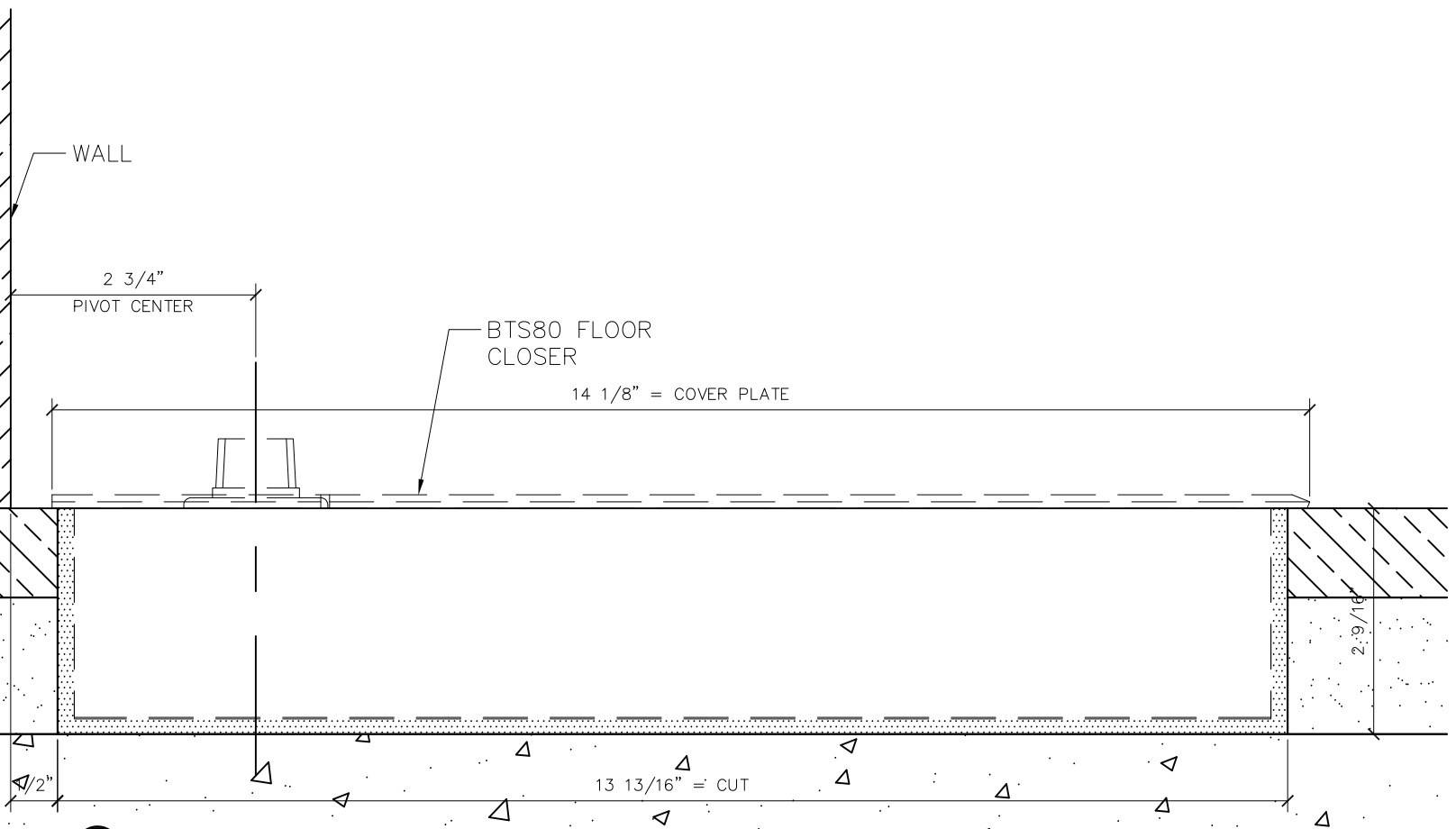
BTS80 FLOOR CLOSER

Glazing Contractor:

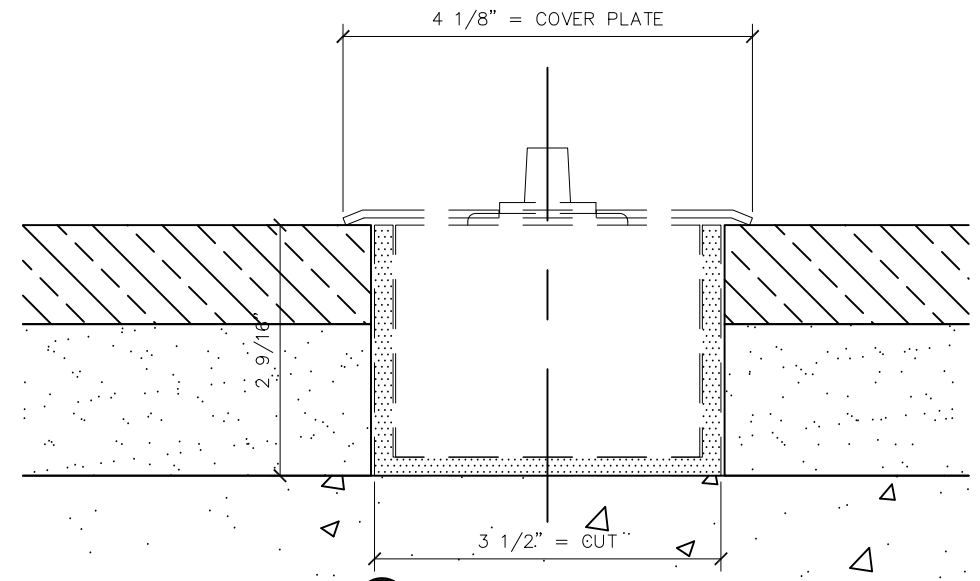
DATE: 09-19-17  
DRAWN BY: RGA  
CHECKED BY: ---  
SCALE: AS SHOWN  
JOB #:



① FLOOR PLAN DETAIL  
6" = 1'-0"



② SIDE SECTION DETAIL  
6" = 1'-0"



③ SECTION DETAIL  
6" = 1'-0"