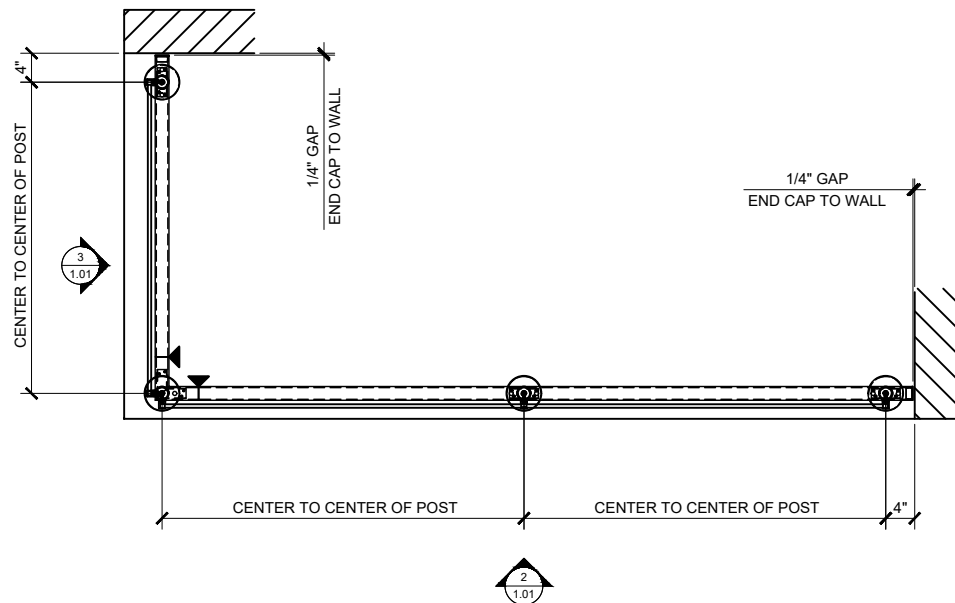
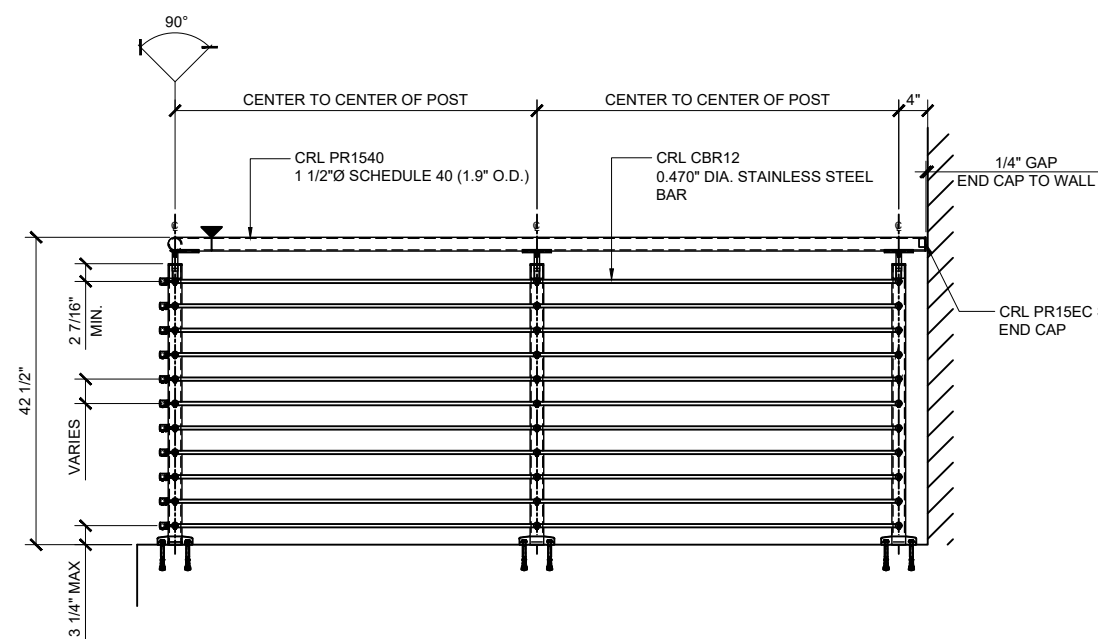


CRL MODULAR CROSSBAR INFILL SYSTEM - 1.9" DIA. ROUND POST

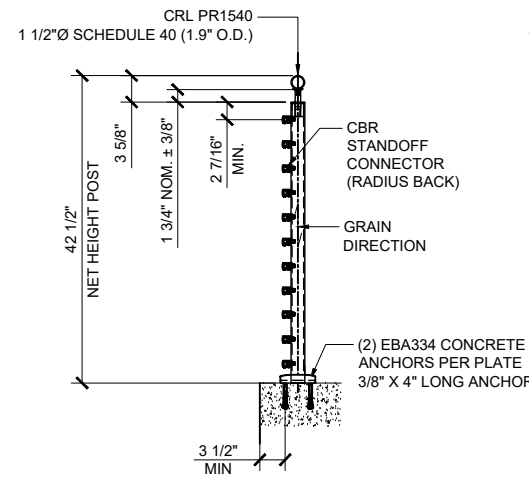
- * DESIGNED TO ACCEPT 0.470" DIA. 316 STAINLESS STEEL ROUND BAR
- * TOP SADDLE SUPPORTS 1 1/4"Ø (1.66" O.D.) & 1 1/2"Ø (1.90" O.D.) SCHEDULE 40 PIPE RAILING AND 1 1/2"Ø O.D. TUBE RAILING
- * 36" AND 42" STANDARD POST HEIGHTS WITH CUSTOM HEIGHTS AVAILABLE
- * BRUSHED STAINLESS STEEL & POLISHED STAINLESS STEEL
- * VERTICALLY ADJUSTABLE TOP SADDLE



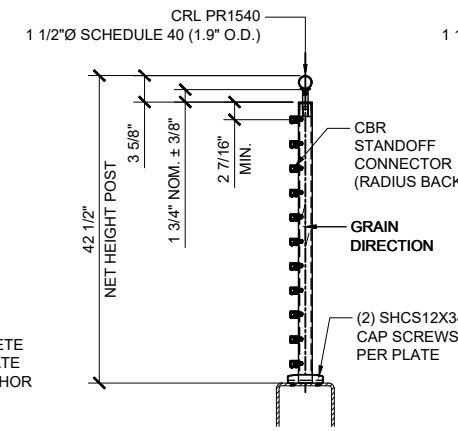
1 TYPICAL PLAN VIEW
1" = 1'-0" ARCH. REF.: N/A



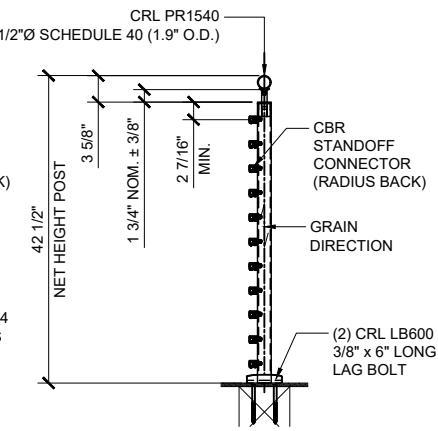
2 ELEVATION
1" = 1'-0" ARCH. REF.: N/A



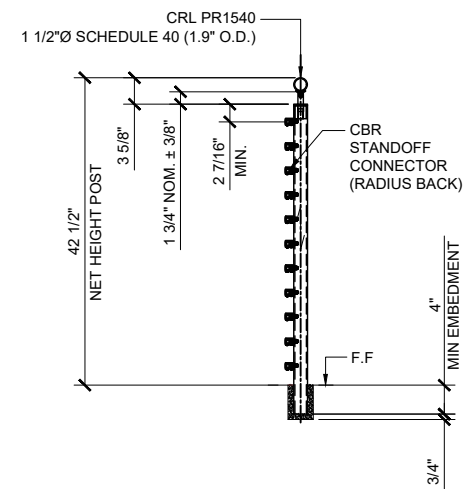
CONCRETE MOUNT
1" = 1'-0"



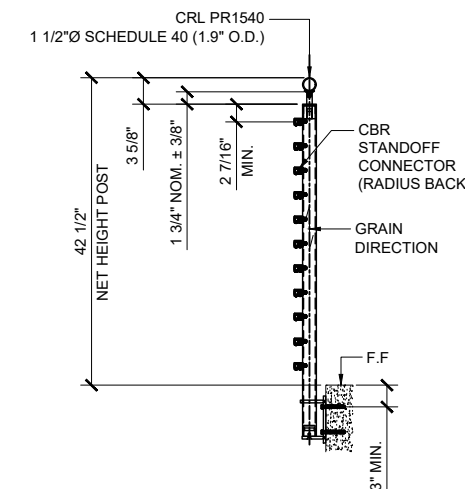
STEEL MOUNT
1" = 1'-0"



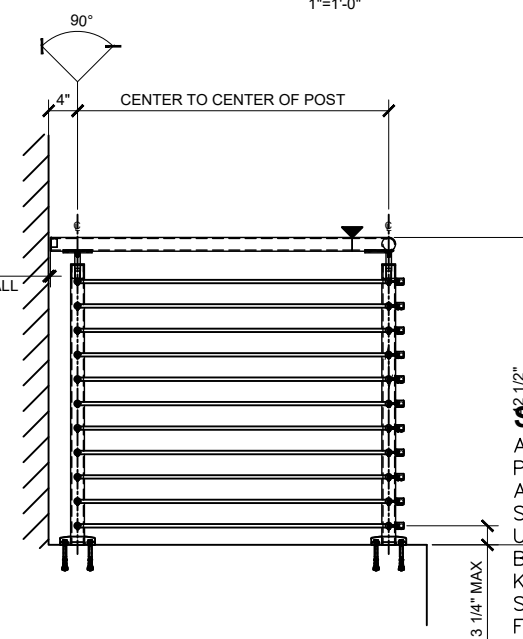
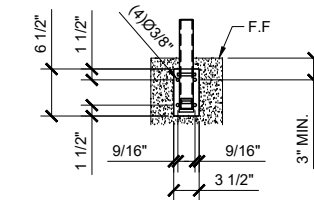
WOOD MOUNT
1" = 1'-0"



CORE MOUNT
1" = 1'-0"



FASCIA MOUNT
1" = 1'-0"



3 ELEVATION
1" = 1'-0" ARCH. REF.: N/A

STRUCTURAL DISCLAIMER:

ALL CUSTOMERS WHO IN ANY WAY UTILIZE THIS PRODUCT ARE SOLELY RESPONSIBLE TO CONSULT A STRUCTURAL ENGINEER TO DETERMINE THE SUITABILITY OF THE PRODUCT FOR THE INTENDED USE AND SITE CONDITIONS. ALL INSTALLERS MUST BE QUALIFIED AND HAVE PROFESSIONAL KNOWLEDGE ABOUT COMPLIANCE WITH LOCAL, STATE AND FEDERAL REGULATIONS, SAFETY FACTORS, AND THE APPROPRIATE CHOICE OF FIXING MATERIAL AND PROCEDURE.

Revisions By:

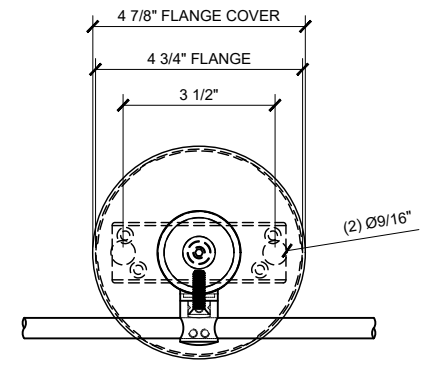
CRL

2503 E. Vernon Avenue, Los Angeles, CA 90058-1897
PH: (800)-421-6144 FAX: 800-587-7501 www.crlaurence.com

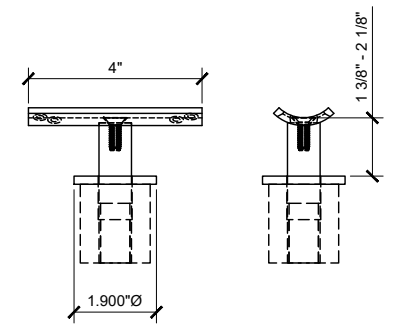
Description:
MODULAR CROSSBAR
RAILING INFILL SYSTEM

Drawn By: JRM
Date: 03/15/2019
Scale: AS NOTED
File Name: SYS0105B Modular Crossbar Infill System

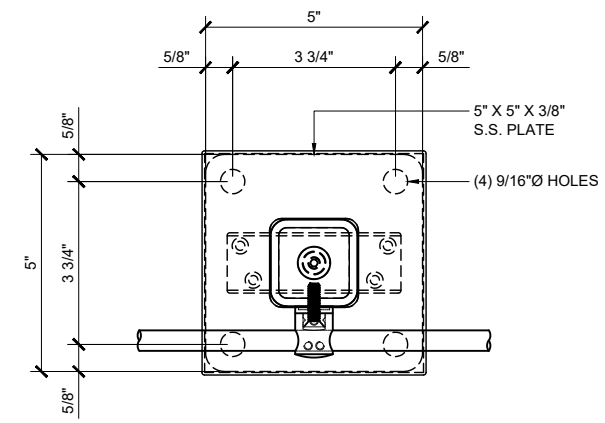
Sheet
1.01



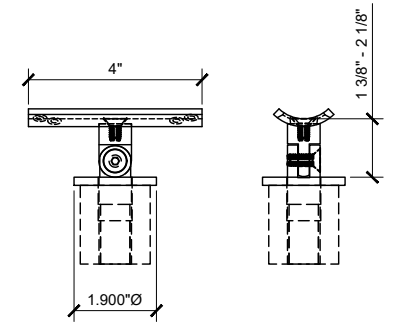
**CBR STANDOFF CONNECTOR
(RADIUS BACK / FLANGE)**
SCALE: 6"=1'-0"



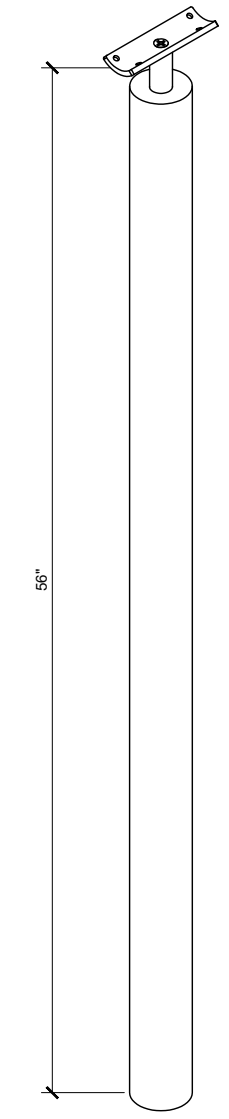
P7VF W/ PRS1 SADDLE
STANDARD VERTICAL ADJ
STANDOFF SADDLE
SCALE: 6"=1'-0"



**CBR STANDOFF CONNECTOR
(FLAT BACK / FLANGE)**
SCALE: 6"=1'-0"

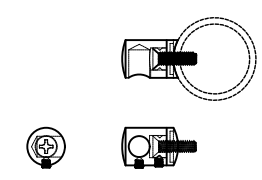


P7VS W/ PRS1 SADDLE
STANDARD VERTICAL ADJ
STANDOFF SADDLE
SCALE: 6"=1'-0"

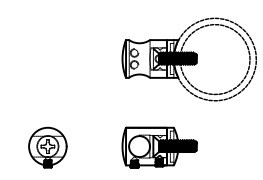


P7BPF FIXED SADDLE BLANK POST KIT
SCALE: 6"=1'-0"

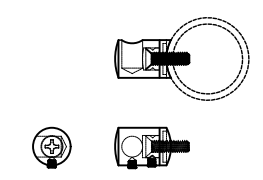
P7BPS SWIVEL SADDLE BLANK POST KIT
SCALE: 6"=1'-0"



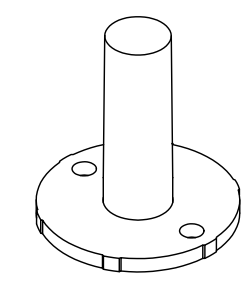
CBR3
LEFT END CONNECTOR 6"=1'-0"



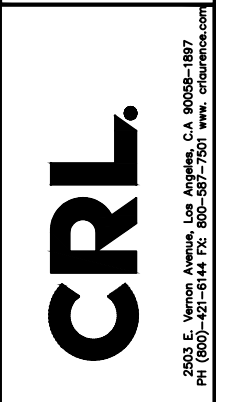
CBR5
CENTER CONNECTOR 6"=1'-0"



CBR4
RIGHT END CONNECTOR 6"=1'-0"



P7BFS SURFACE MOUNT STANCHION
SCALE: 1'-0"=1'-0"

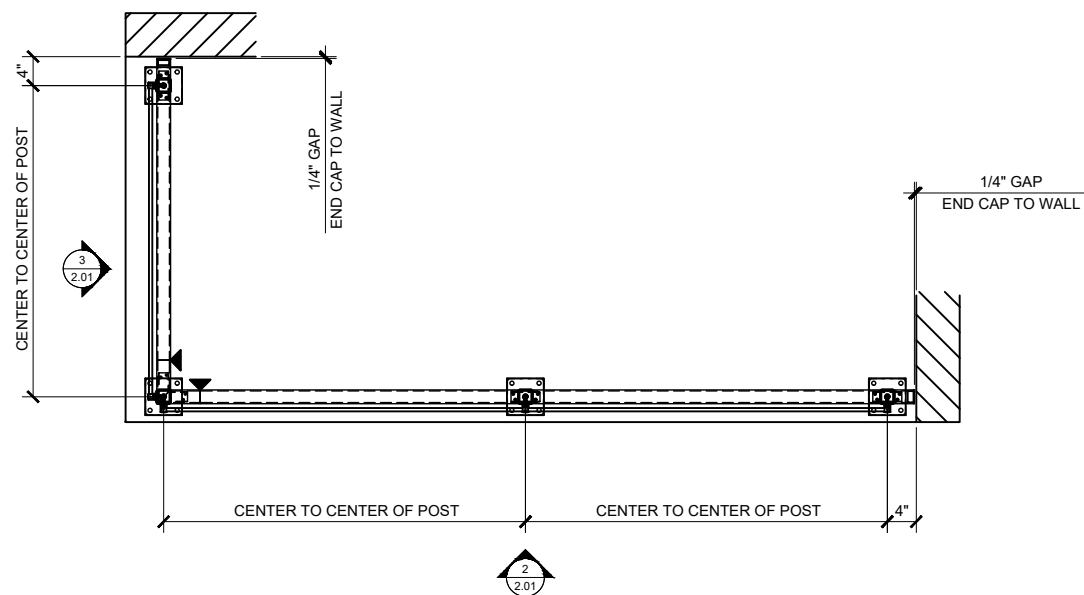


Description:
MODULAR CROSSBAR
RAILING INFILL SYSTEM

Drawn By: JRM
Date: 03/15/2019
Scale: AS NOTED
File Name:
SYS0105B Modular Crossbar Infill System

CRL MODULAR CROSSBAR INFILL SYSTEM - 2" SQUARE POST

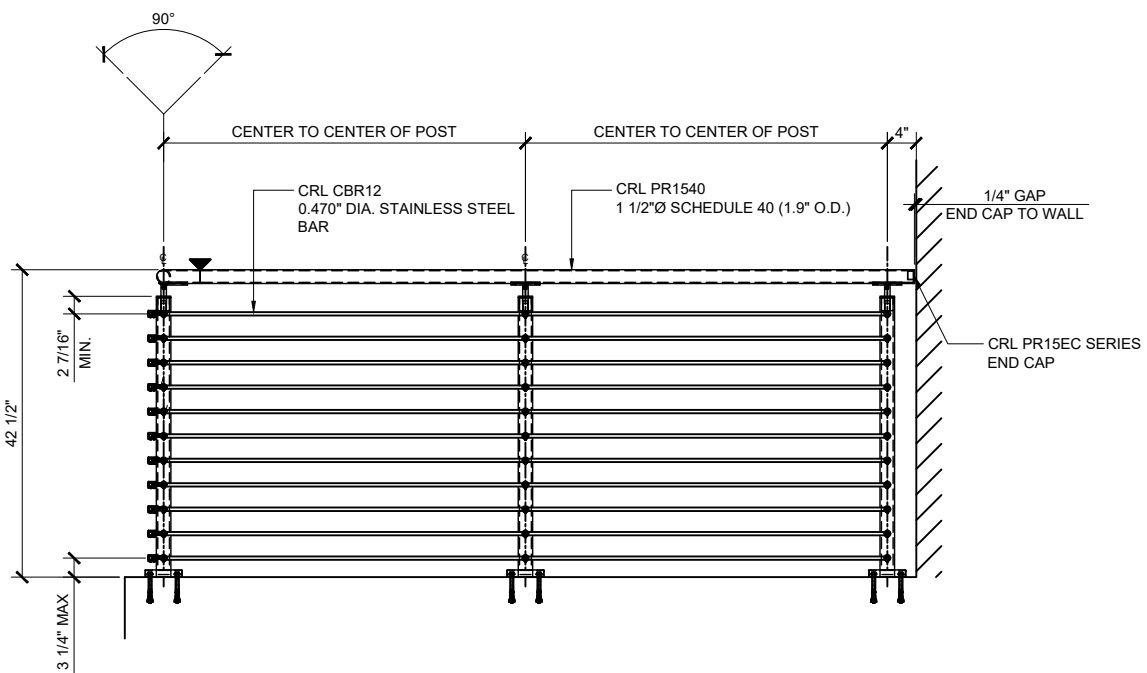
- * DESIGNED TO ACCEPT 0.47" DIA. 316 STAINLESS STEEL BAR
- * TOP SADDLE SUPPORTS 1 1/4"Ø (1.66" O.D.) & 1 1/2"Ø (1.90" O.D.) SCHEDULE 40 PIPE RAILING AND 1 1/2"Ø O.D. TUBE RAILING
- * 36" AND 42" STANDARD POST HEIGHTS WITH CUSTOM HEIGHTS AVAILABLE
- * BRUSHED STAINLESS STEEL OR POLISHED STAINLESS STEEL
- * VERTICALLY ADJUSTABLE TOP SADDLE



1 TYPICAL PLAN VIEW

1" = 1'-0"

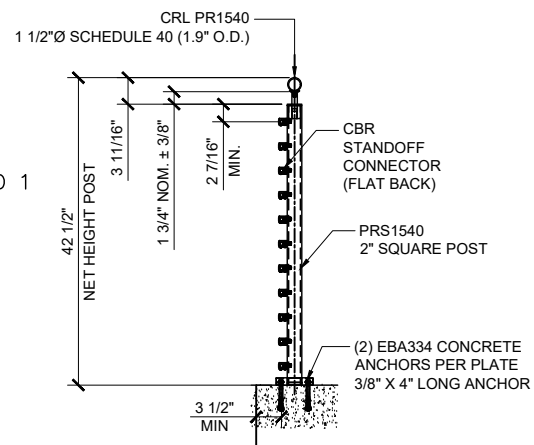
ARCH. REF.: N/A



2 ELEVATION

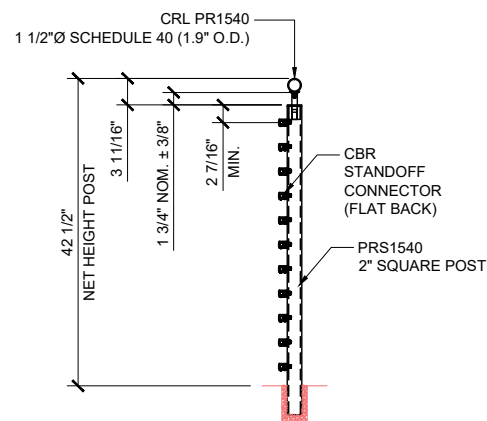
1" = 1'-0"

ARCH. REF.: N/A



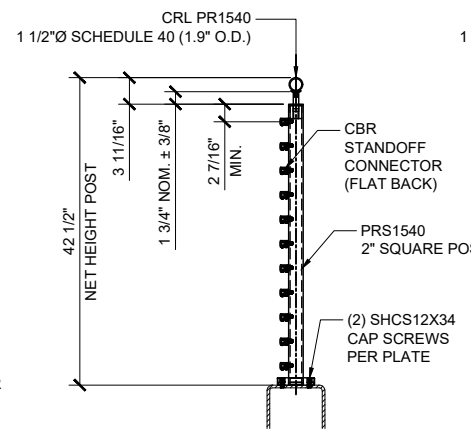
CONCRETE MOUNT

1" = 1'-0"



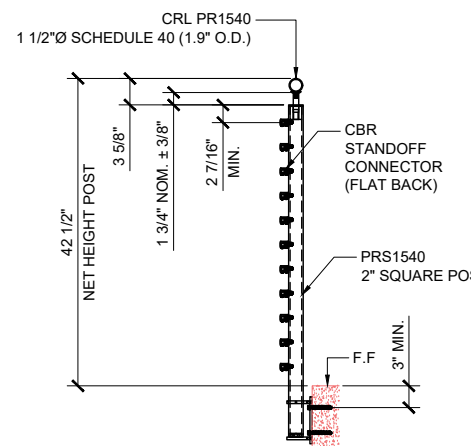
CORE MOUNT

1" = 1'-0"



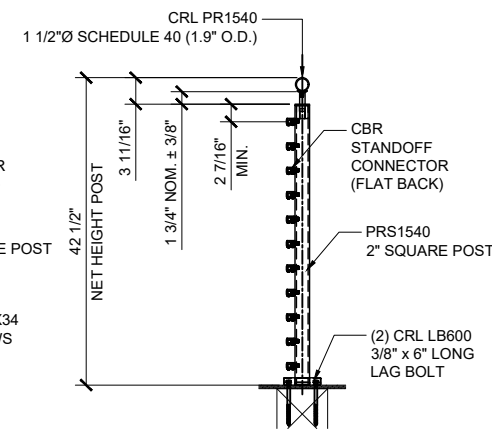
STEEL MOUNT

1" = 1'-0"



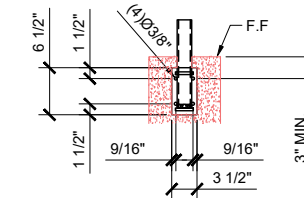
FASCIA MOUNT

1" = 1'-0"



WOOD MOUNT

1" = 1'-0"



Description:

MODULAR CROSSBAR
RAILING INFILL SYSTEM

Drawn By: JRM

Date: 03/15/2019

Scale: AS NOTED

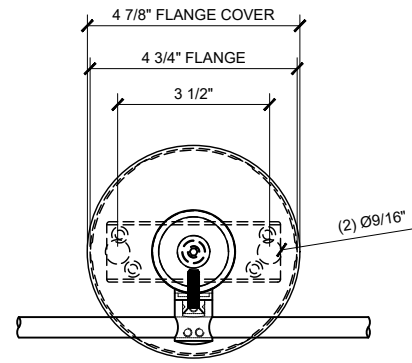
File Name:
SYS0105B Modular Crossbar Infill System

Sheet

2.01

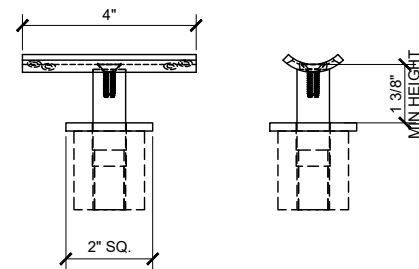
CRL

2503 E. Vernon Avenue, Los Angeles, CA 90058-1897
PH: (800)-421-8144 FX: 800-587-7501 www.crlaurence.com



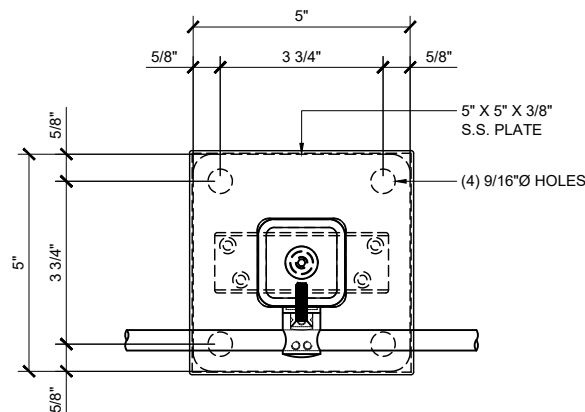
**CBR STANDOFF CONNECTOR
(RADIUS BACK / FLANGE)**

SCALE: 6"=1'-0"



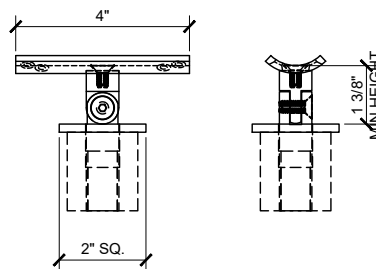
P1VF W/ PRS1 SADDLE

STANDARD VERTICAL ADJ
STANDOFF SADDLE 6"=1'-0"



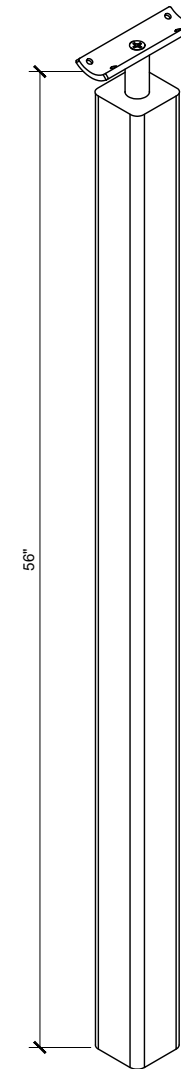
**CBR STANDOFF CONNECTOR
(FLAT BACK / FLANGE)**

SCALE: 6"=1'-0"



P1VS W/ PRS1 SADDLE

STANDARD VERTICAL ADJ
STANDOFF SADDLE 6"=1'-0"

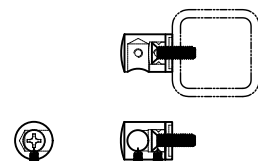


P1BPF FIXED SADDLE BLANK POST KIT

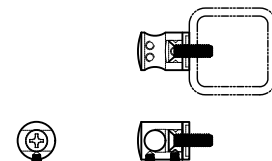
SCALE: 6"=1'-0"

P1BPS SWIVEL SADDLE BLANK POST KIT

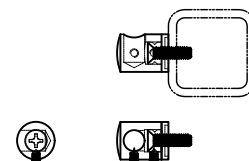
SCALE: 6"=1'-0"



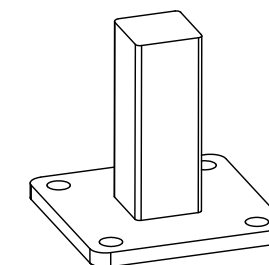
CBR6
LEFT END CONNECTOR 6"=1'-0"



CBR8
CENTER CONNECTOR 6"=1'-0"



CBR7
RIGHT END CONNECTOR 6"=1'-0"



P1BFS SURFACE MOUNT STANCHION

SCALE: 1'-0"=1'-0"

Revisions By:

CRL

2503 E. Vernon Avenue, Los Angeles, CA 90058-1887
PH: (800)-421-8144 FX: 800-587-7501 www.crlaurence.com

Description:
MODULAR CROSSBAR
RAILING INFILL SYSTEM

Drawn By: JRM

Date: 03/15/2019

Scale: AS NOTED

File Name:
SYS0105B Modular Crossbar Infill System

Sheet

2.02