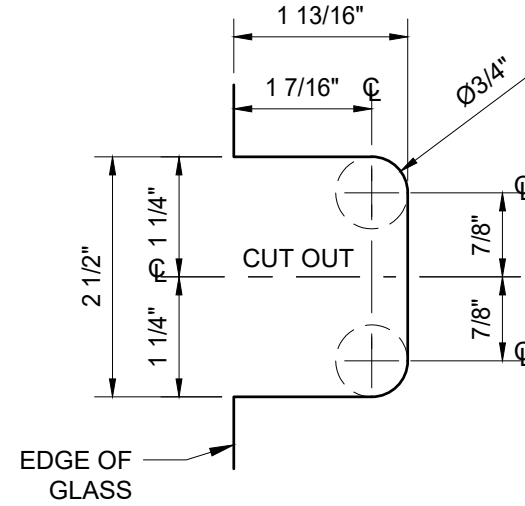
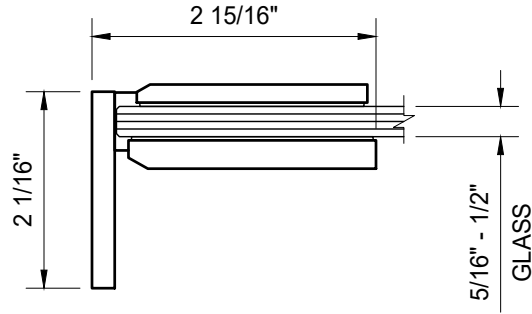


USE OF GASKETS

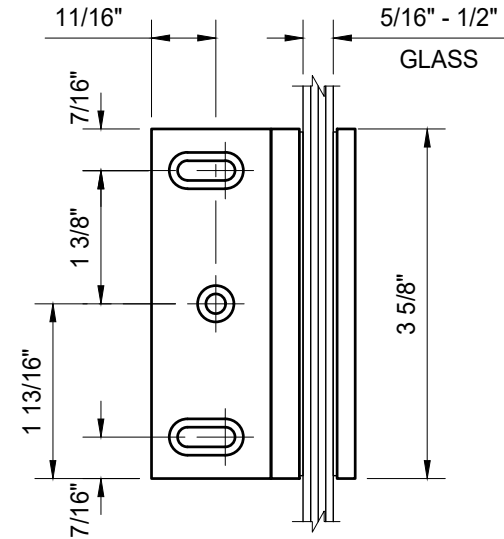
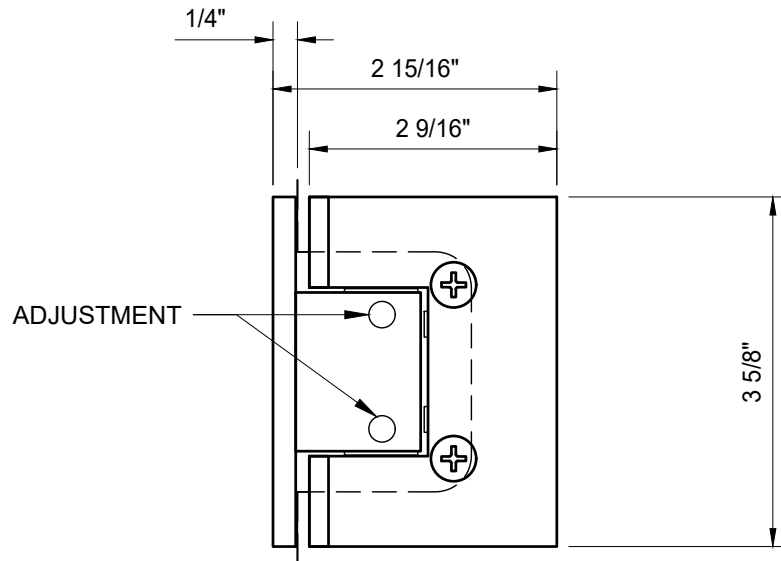
FOR 5/16" (8mm) GLASS: USE TWO THICK GASKETS STAMPED WITH 8mm

FOR 3/8" (10mm) GLASS: USE TWO GASKETS STAMPED WITH 12-10mm

FOR 1/2" (12mm) GLASS: USE TWO GASKETS STAMPED WITH 12-10mm



GLASS FABRICATION TEMPLATE



CATALOG NUMBER	FINISH
MEL324BN	BRUSHED NICKEL
MEL324CH	POLISHED CHROME
MEL324MBL	MATTE BLACK

MEL324XX - CRL MELBOURNE SERIES ADJUSTABLE WALL MOUNT HINGE

DATE: 3/14/19  
SCALE: 6"=1'-0"  
DRAWN BY: VM

DESCRIPTION: CRL MEL324 —  
CRL MELBOURNE SERIES HINGES  
ADJUSTABLE WALL MOUNT OFFSET BACK PLATE

C.R. LAURENCE CO. ARCHITECTURAL PRODUCTS  
2503 E. Vernon Avenue, Los Angeles, CA 90058-1897  
PH (800)-421-6144 FX: 800-587-7501 www.crlaurence.com

