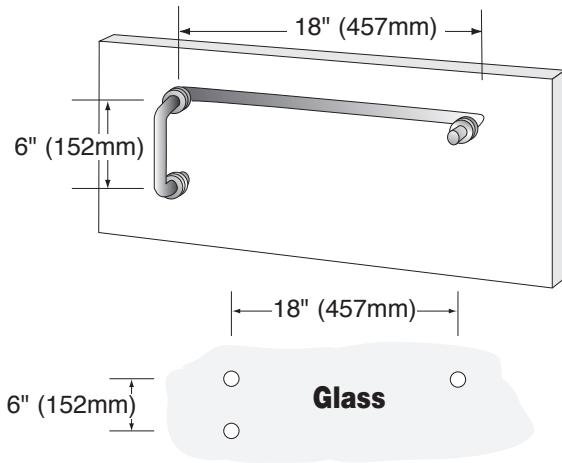
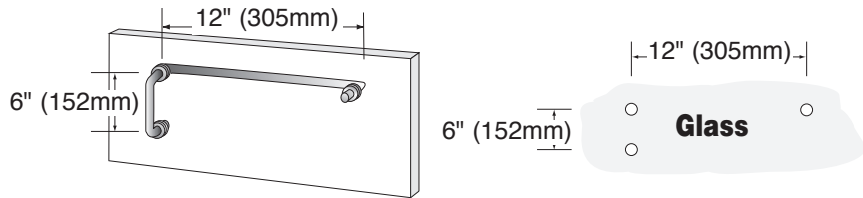




**CAT. NO. BM6X12**

**CAT. NO. BMNW6X12**

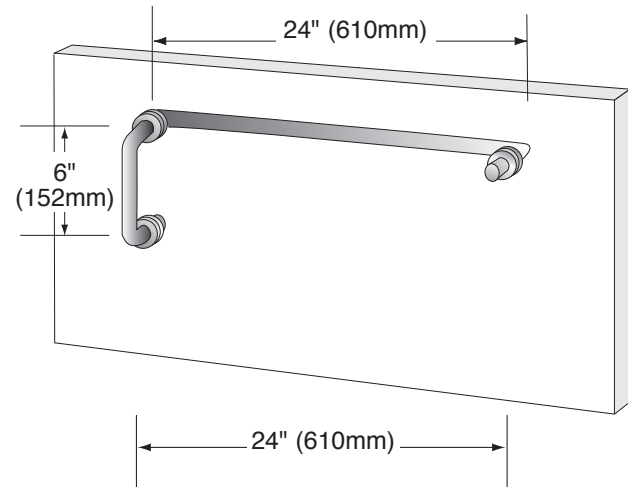


**CAT. NO. BM6X18**  
**CAT. NO. V1C6X18**  
**CAT. NO. BMNW6X18**  
**CAT. NO. MT6X18**  
**CAT. NO. SDP6TB18**  
**CAT. NO. SQ6X18**  
**CAT. NO. CAC6X18**  
**CAT. NO. COL6X18**

**Specifications:**

All Holes Are 1/2" (12mm) Diameter  
All Measurements Are Center-To-Center  
Appropriate Clear Gaskets Included  
Fits 1/4" (6mm) to 1/2" (12mm) Glass

**CAT. NO. BM6X24**  
**CAT. NO. BMNW6X24**  
**CAT. NO. SDP6TB24**  
**CAT. NO. V1C6X24**  
**CAT. NO. MT6X24**  
**CAT. NO. SQ6X24**  
**CAT. NO. COL6X24**



**PULL AND TOWEL BAR COMBINATION SETS**

(Brass or Acrylic Construction)

**\*NOTE:** Do not exceed either maximum weight or width when choosing proper quantity of hinges.