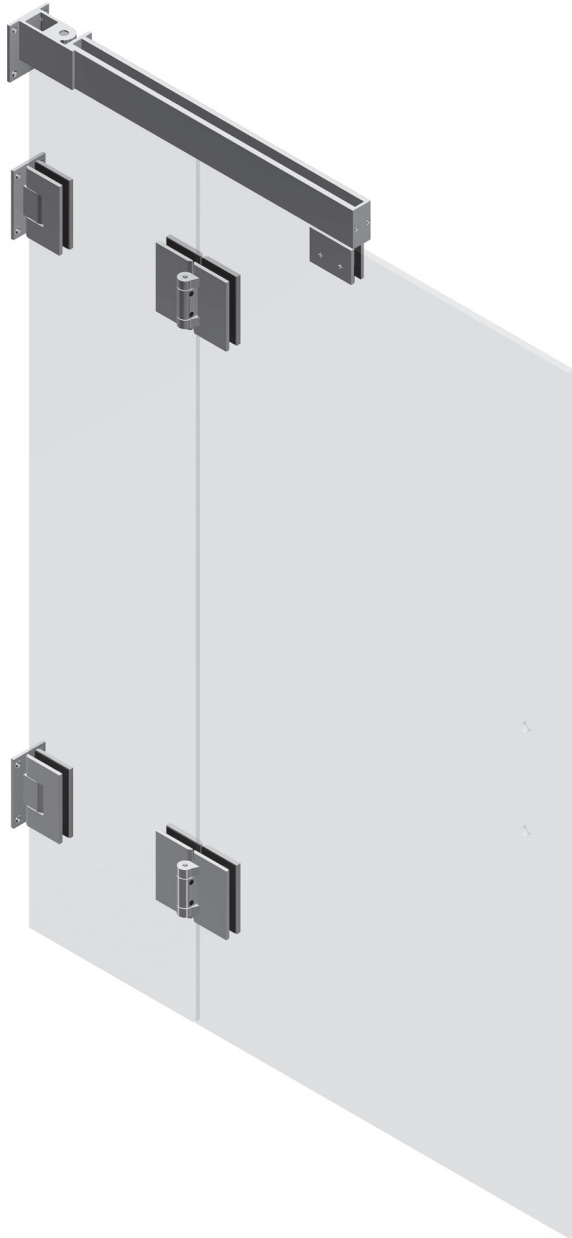


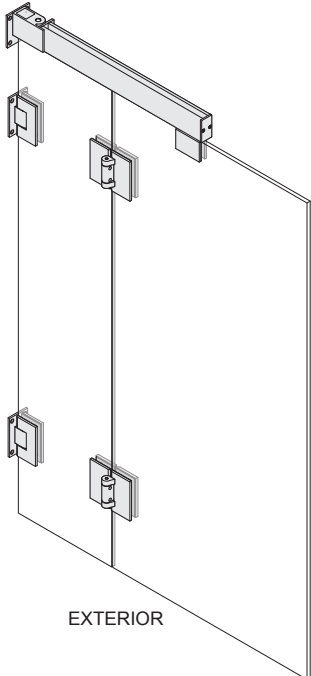
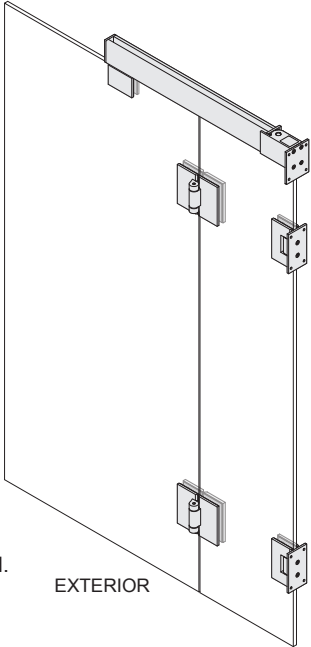
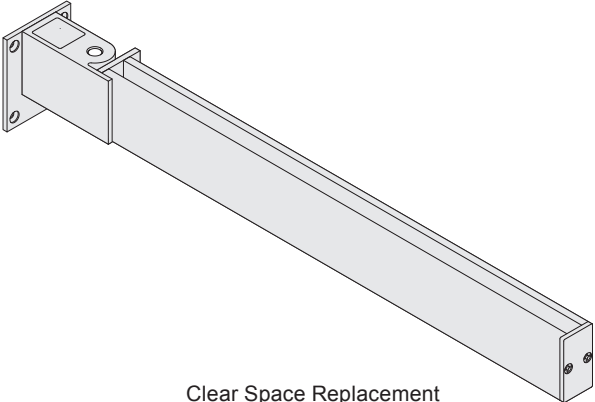
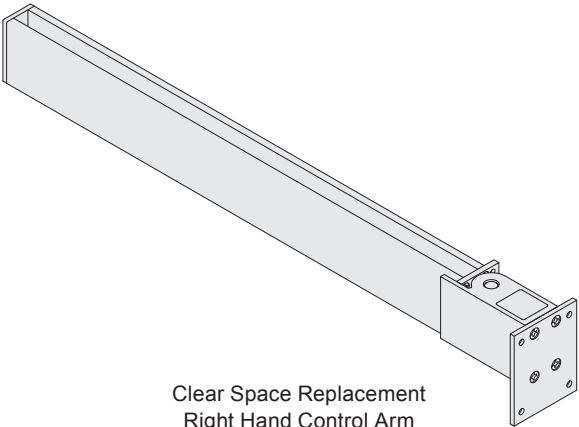
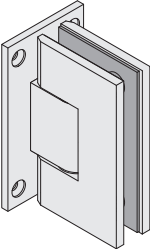
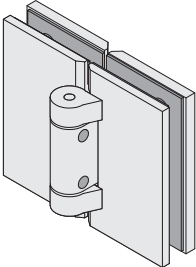
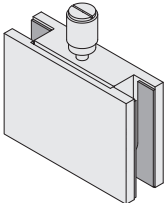
CLEAR SPACE ELLIPTICAL SHOWER DOOR SYSTEM



Go to <https://www.youtube.com/embed/dtsofKmBhYM>
to Play Operation Video

NOTE: Glass not included.

PARTS LIST

<p>CLSK1L_</p> <p>Kit Contains: 1 Top Guide 2 Wall Mount Hinges 2 180° Glass-to-Glass Hinges 1 Left Handed Control Arm</p>  <p>NOTE: Glass Panels Not Included.</p> <p>EXTERIOR</p> <p>Clear Space Complete Left Hand Swinging Kit</p>	<p>CLSK1R_</p> <p>Kit Contains: 1 Top Guide 2 Wall Mount Hinges 2 180° Glass-to-Glass Hinges 1 Right Handed Control Arm</p>  <p>NOTE: Glass Panels Not Included.</p> <p>EXTERIOR</p> <p>Clear Space Complete Right Hand Swinging Kit</p>	
<p>CLS02L_</p>  <p>Clear Space Replacement Left Hand Control Arm</p>	<p>CLS02R_</p>  <p>Clear Space Replacement Right Hand Control Arm</p>	
<p>CLS337_</p>  <p>Clear Space Replacement Wall Mount Hinge</p>	<p>CLS181_</p>  <p>Clear Space Replacement 180° Glass-to-Glass Hinge</p>	<p>CLS01_</p>  <p>Clear Space Replacement Top Guide</p>

NOTE: CLSK1L_ installation drawings shown in this manual. Other installations similar.

ORDER OF ASSEMBLY AND INSTALLATION

PARTS LIST	2
SPECIFICATIONS	3
GLASS FABRICATION	4
DOOR ASSEMBLY	5
Install Top Guide	5
FOLDING PANEL ASSEMBLY	6
Install Wall and Glass-to-Glass Hinges	6
FOLDING PANEL INSTALLATION	7
DOOR INSTALLATION	7
CONTROL ARM INSTALLATION	8

IMPORTANT: READ THIS MANUAL THOROUGHLY BEFORE BEGINNING INSTALLATION.

SPECIFICATIONS

MAXIMUM DOOR SIZE:

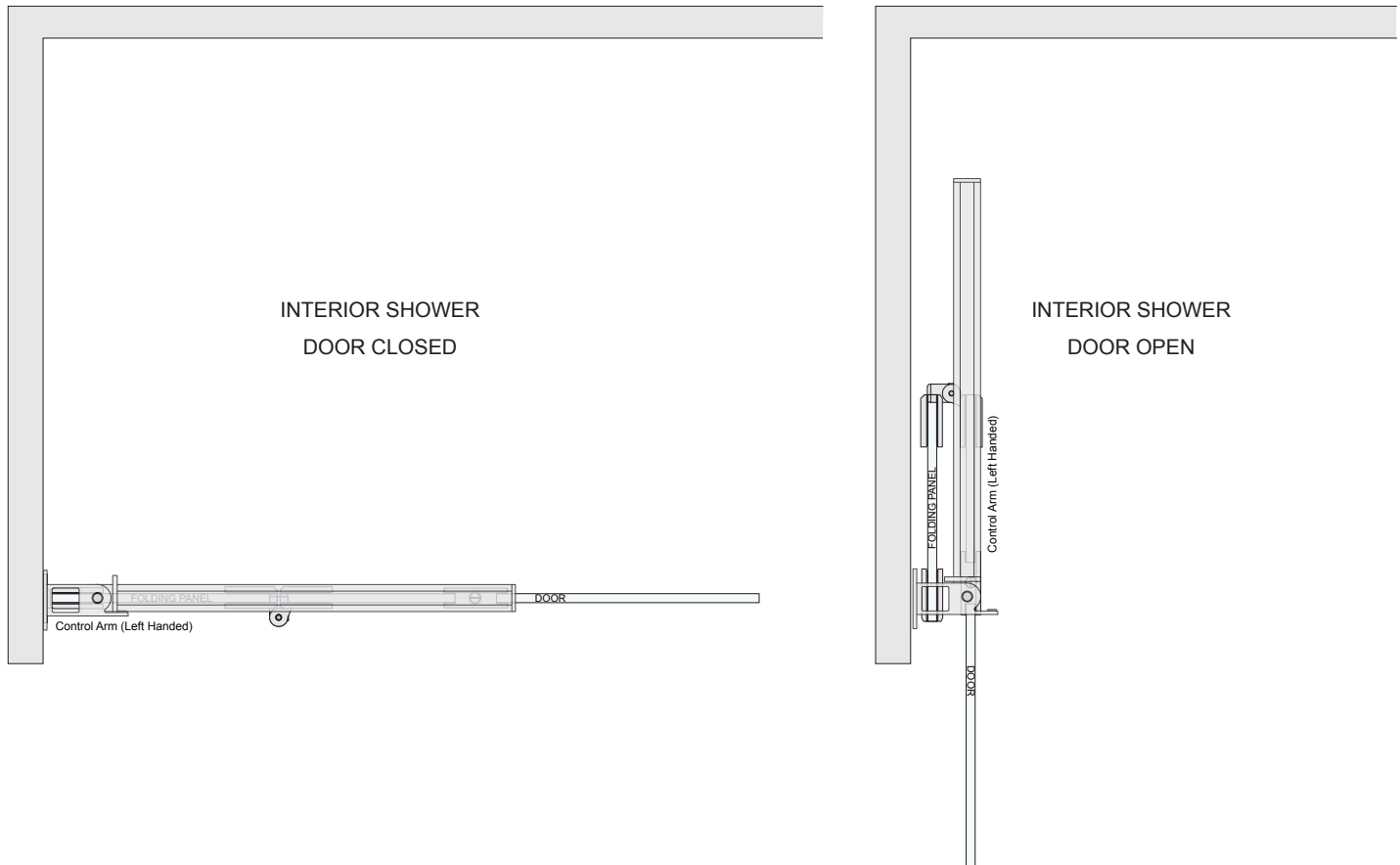
Using two hinges: 36" (914 mm) Wide and 110 lbs (50 kg)

Using three hinges: 36" (914 mm) wide and 140 lbs (63 kg)

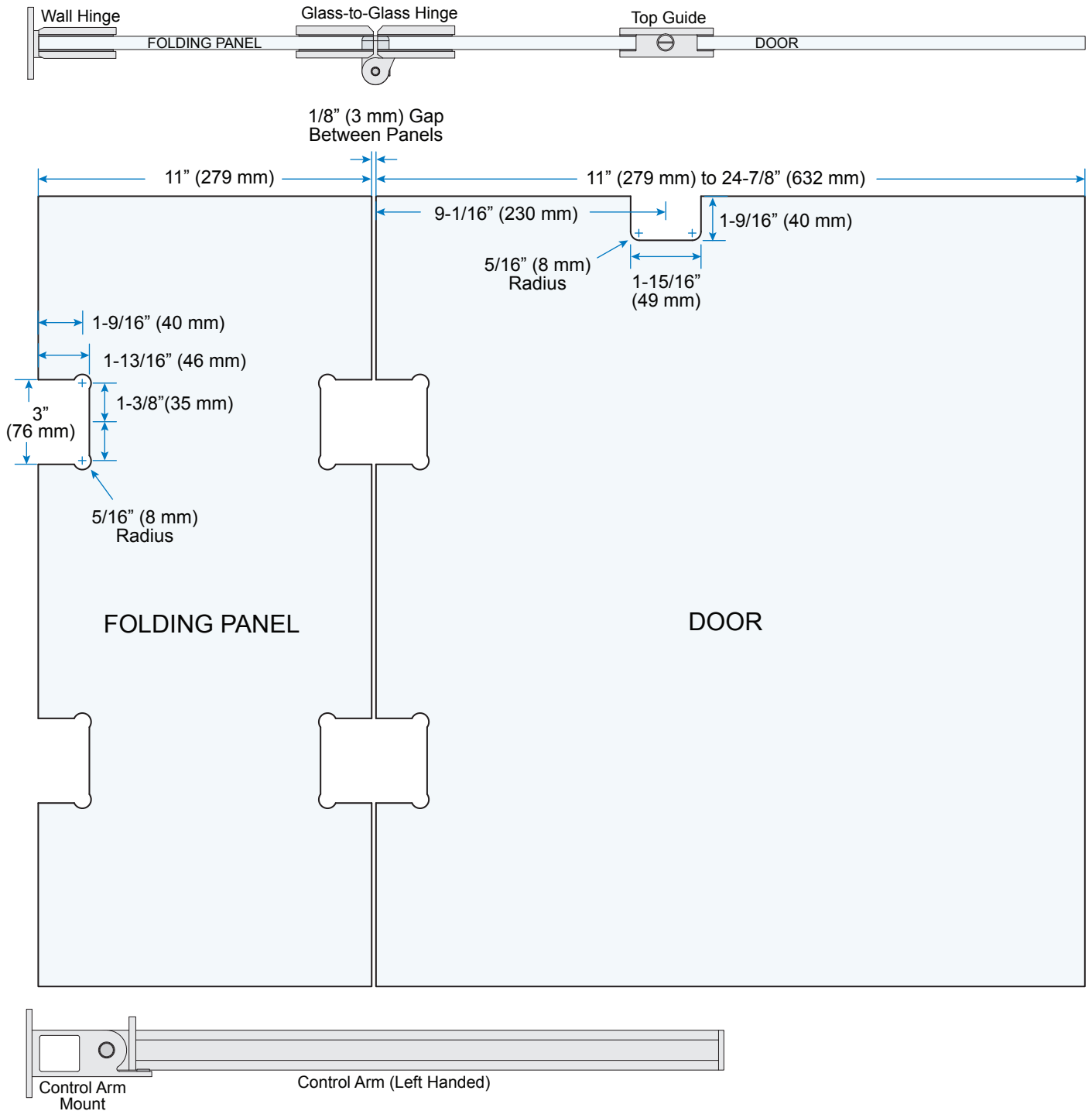
Do Not Exceed Either Width or Weight.

NOTE: For enclosures requiring three Wall Mount and three 180° Glass-to-Glass Hinges, those third hinges must be purchased separately. Two sets of hinges are included in the kit.

GLASS THICKNESS: 3/8" or 1/2" (10 or 12 mm)



GLASS FABRICATION

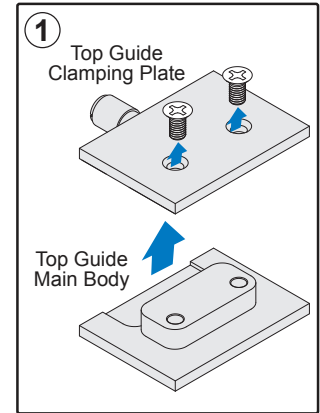
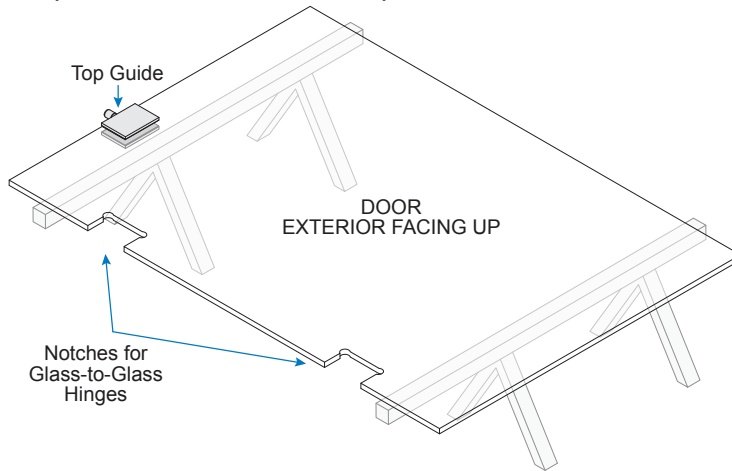
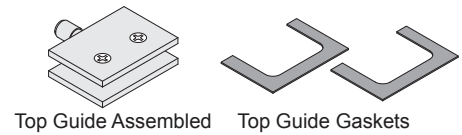


NOTE: For use with 3/8" or 1/2" (10 or 12 mm) Tempered Glass only. Do Not use Laminated Glass.

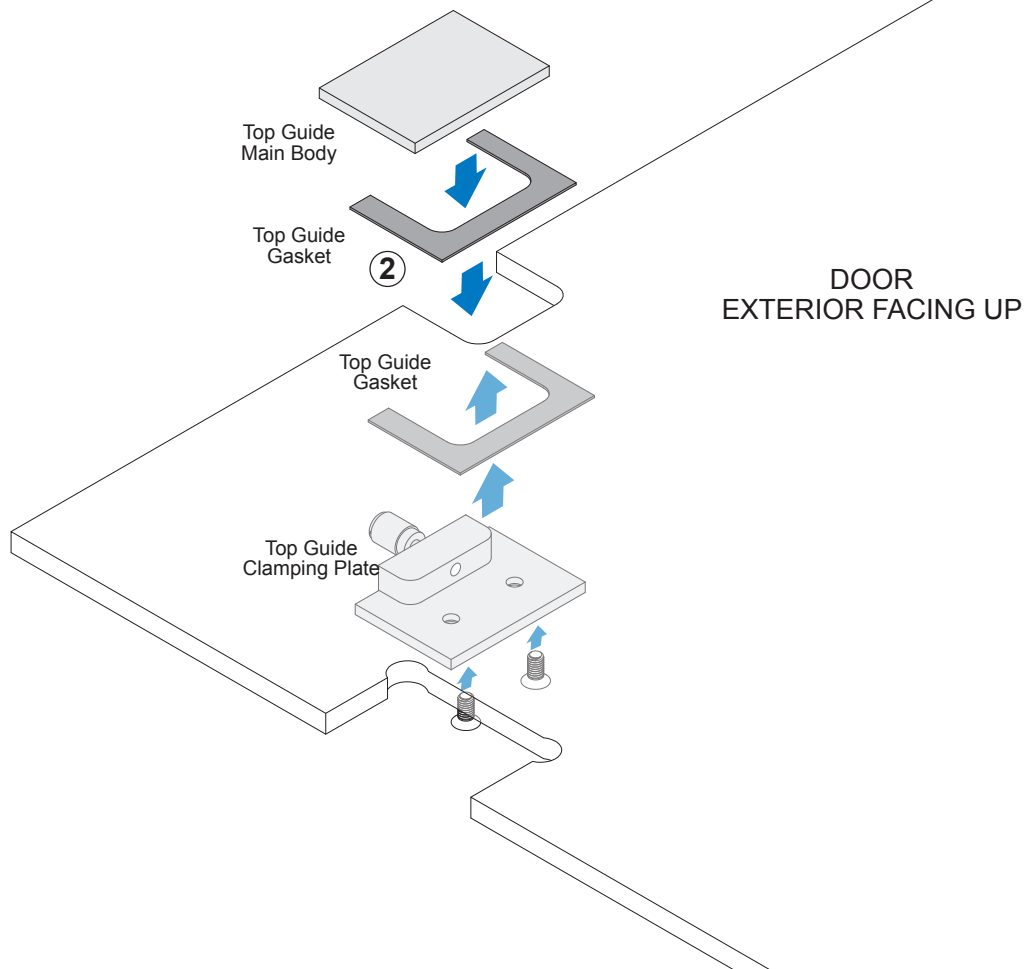
DOOR ASSEMBLY

Install Top Guide

- ① Unpack Top Guide and remove Clamping Plate.
- ② Install Top Guide with Gaskets at top Door notch.

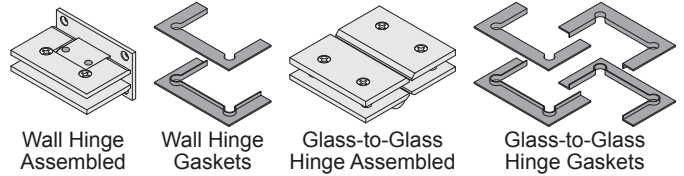


NOTE: Top Guide is installed with Clamping Plate on interior of Door. Glass-to-Glass Door Hinges are installed with Clamping Plates on interior during installation on Page 7.

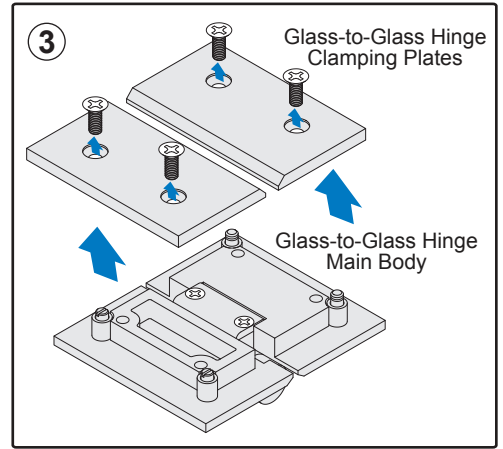
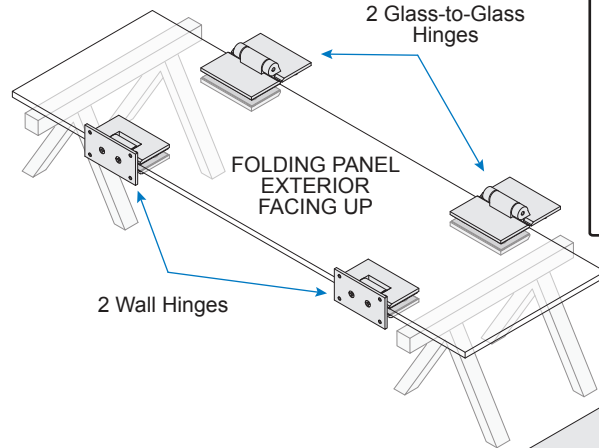
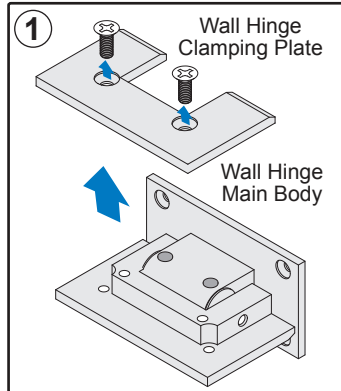


FOLDING PANEL ASSEMBLY

Install Wall and Glass-to-Glass Hinges

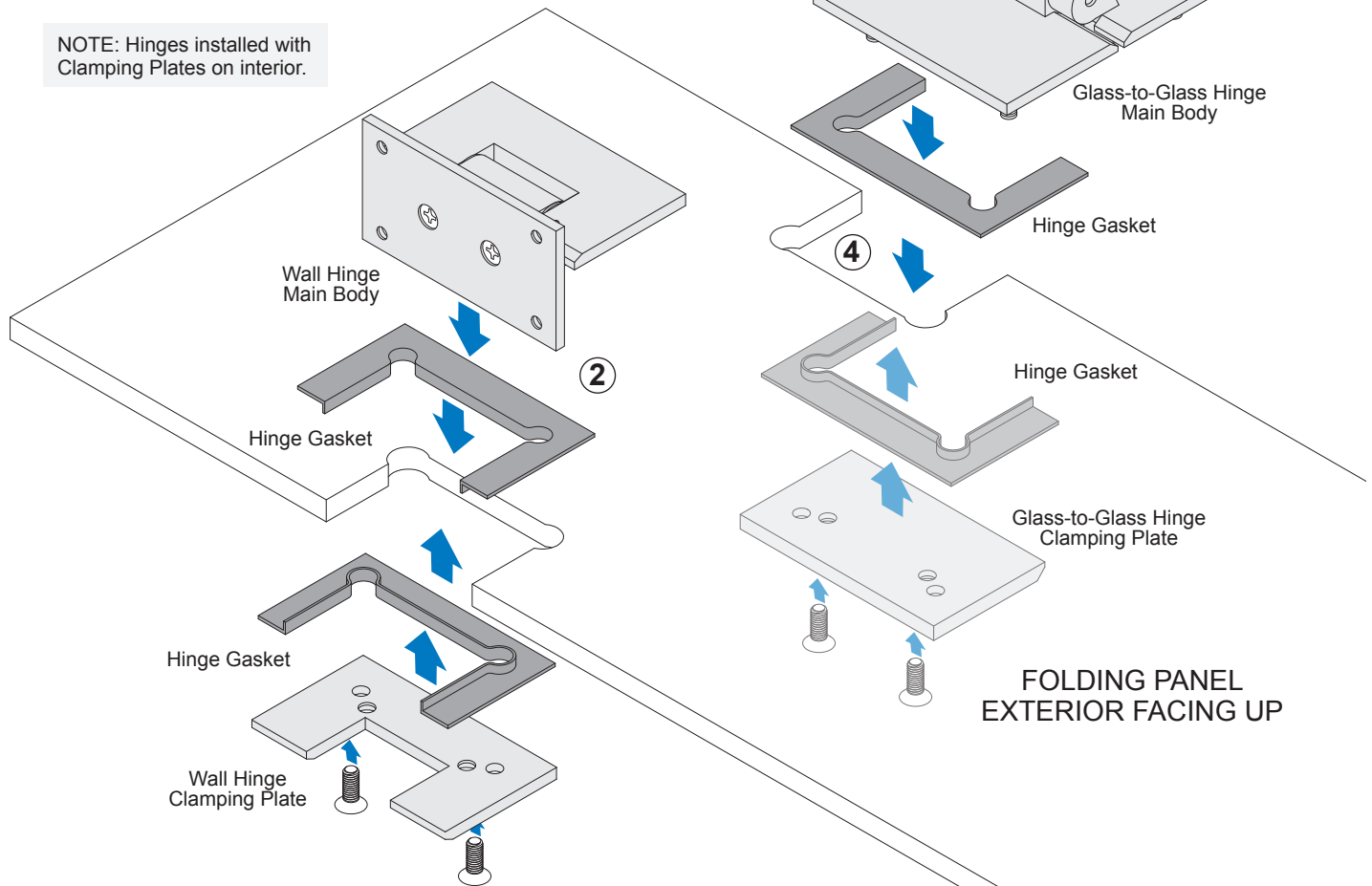


- ① Unpack Wall Hinges and remove Clamping Plates.
- ② Fit Hinges into notches on side of Folding Panel. Reassemble with included Gaskets.
- ③ Unpack Glass-to-Glass Hinges and remove Clamping Plates.
- ④ Fit Hinges into notches on other side of Folding Panel. Reassemble one side with included Gaskets.



NOTE: Glass-to-Glass Hinge Clamping Plate and Gaskets installed on Folding Panel only.

NOTE: Hinges installed with Clamping Plates on interior.

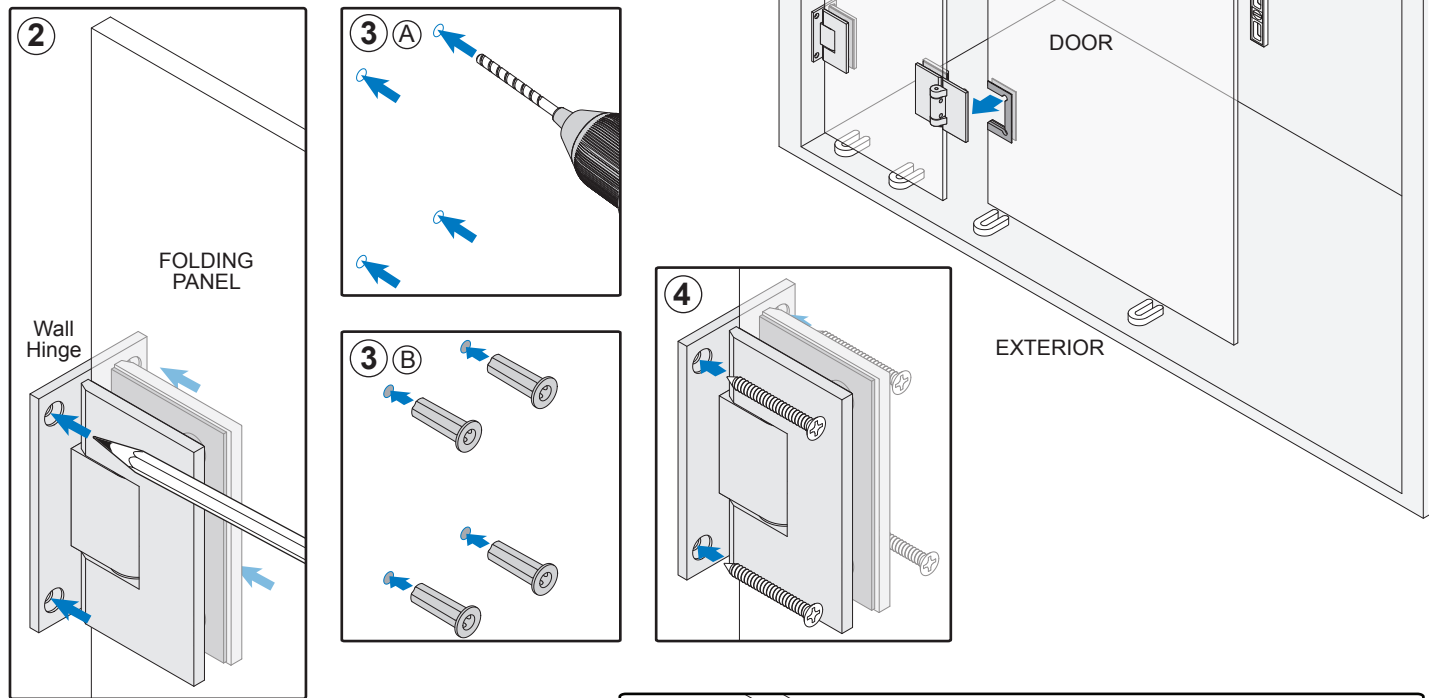


FOLDING PANEL INSTALLATION

- 1 Set Folding Panel with Wall Hinge against wall. Rest on shims and ensure it is level and plumb.

NOTE: Wall Hinges fold Panel into shower.

- 2 Mark holes in Wall Hinge.
- 3 Remove Panel to drill holes and install anchors.
- 4 Secure using #10 fasteners suitable for substrate.

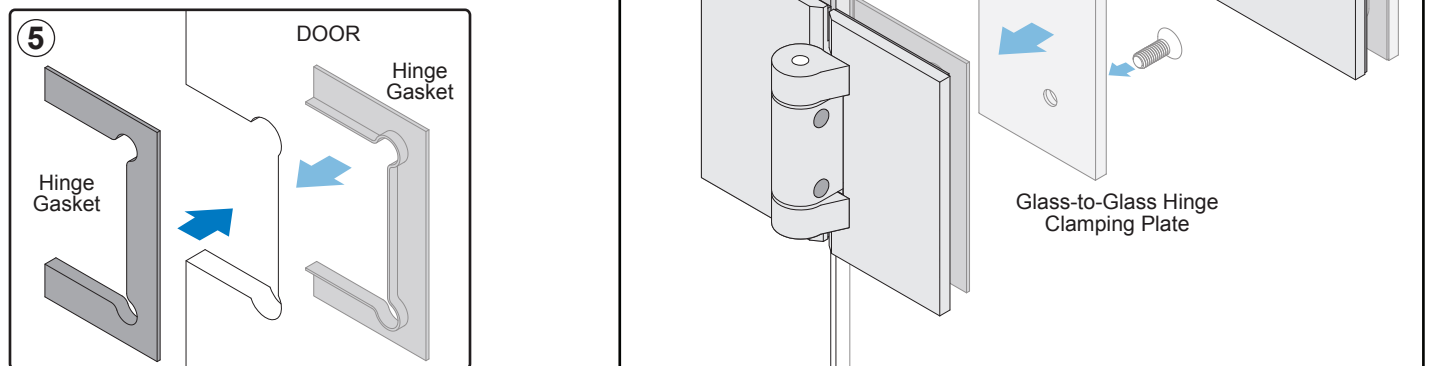


DOOR INSTALLATION

- 5 Install Glass-to-Glass Hinge Gaskets on exterior and interior Door at each notch.
- 6 Place Door next to Folding Panel. Align notches to Hinges. Rest Door on shims. Level and plumb.

NOTE: Glass-to-Glass Hinges fold Door into Folding Panel on outside of shower.

- 7 Install Clamping Plates on interior.



CONTROL ARM INSTALLATION

- 1 Position Control Arm above Panels. Top Guide on Door sits inside channel in Control Arm.

NOTE: Control Arm folds into shower.

- 2 Mark holes in Control Arm Base.
- 3 Remove Control Arm to drill holes and install anchors.
- 4 Secure using #10 fasteners suitable for substrate.

