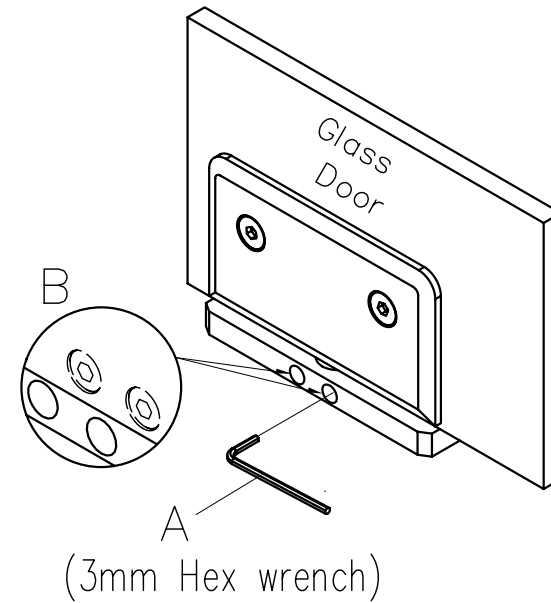
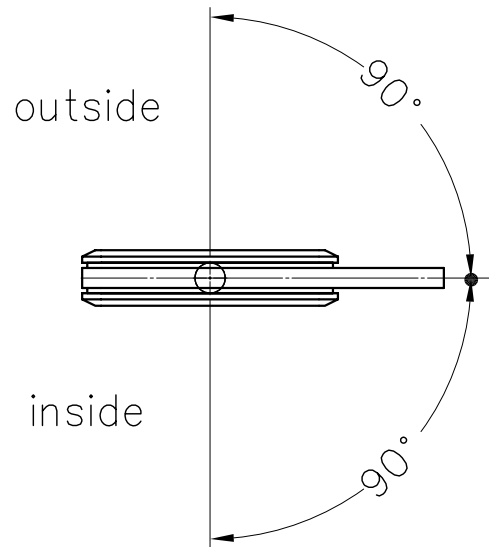


## Adjustment Angle



### ADJUSTABLE HINGE SERIES: Pivot Hinges

## ADJUSTMENT SPECIFICATION SHEET

### STEPS :

- 1- Use 3mm Hex wrench(A) to loosen 2 screws(B) by turning 1 circle counter-clockwise then proceed with the adjustment.
- 2- Once you have aligned the door, re-tighten 2 screws(B).

**SHORIZON.**