

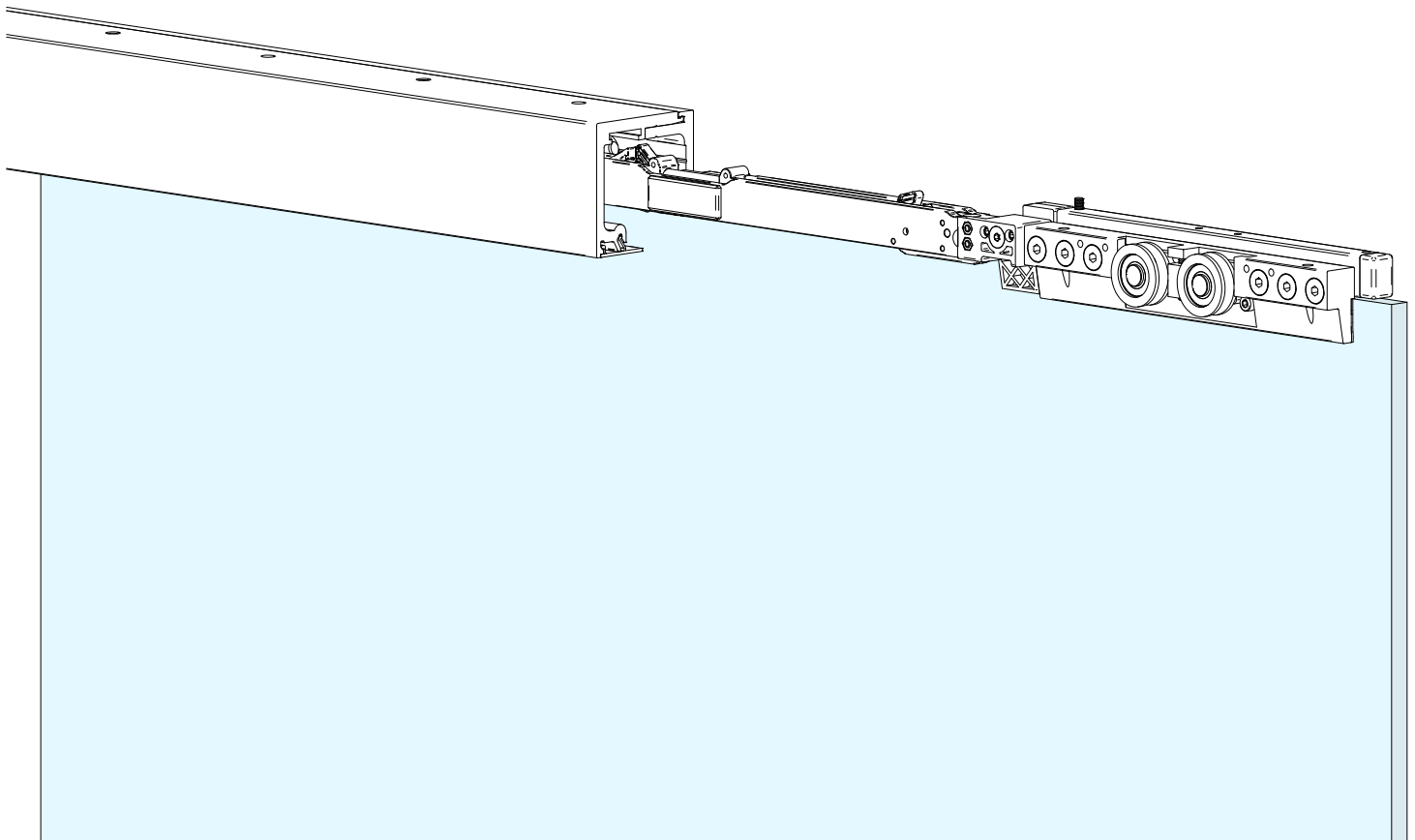


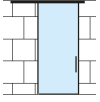
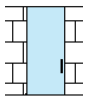
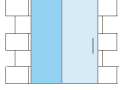
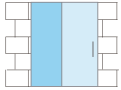
Installation Instructions

crlaurence.com

CRL695 SERIES SLIDING DOOR KITS

CRL 695 | CRL 6951 | CRL 695D | CRL 6951D

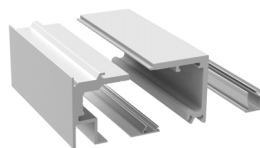


<p>CRL695/BSA/MBL Wall and Ceiling mount Kit</p>  <p>Kit Contains:</p> <p>1xCRL490EXT 1xCRL6942 1xCRL290TF SET 1xCRL2940 1xCRL4937 SET 1xCRL2945 SET 1xCRL6939 1XCRL695SBK</p>	<p>CRL695D/BSA/MBL Dropped ceiling mount Kit</p>  <p>Kit Contains:</p> <p>1xCRL4932EXT 1xCRL695SBK 1xCRL6939 1xCRL6942 1xCRL2940 1xCRL2929 SET 1xCRL2945 SET</p>
<p>CRL6951/BSA/MBL Ceiling mount Kit with fixed glass</p>  <p>Kit Contains:</p> <p>1xCRL4931EXT 1xCRL6942 1xCRL290TF SET 1xCRL2940 1xCRL4938 SET 1xCRL2945 SET 1xCRL6939 1xCRL6979A 1xCRL695SBK</p>	<p>CRL6951D/BSA/MBL Dropped ceiling mount Kit with fixed glass</p>  <p>Kit Contains:</p> <p>1xCRL4933EXT 1xCRL6942 1xCRL6939 1xCRL2945 SET 1xCRL695SBK 1xCRL6979A 1xCRL2940 1xCRL2929 SET</p>

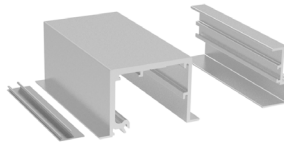
CRL490EXT/BSA/MBL



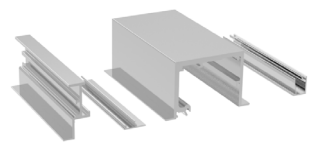
CRL4931EXT/BSA/MBL



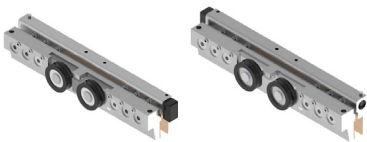
CRL4932EXT/BSA/MBL



CRL4933EXT/BSA/MBL



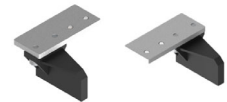
CRL6939



CRL695SBK



CRL6942



CRL2940/BSA/MBL



CRL290TF



CRL2943



CRL2944



CRL6979A/BSA/MBL



CRL4972



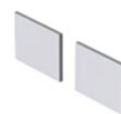
CRL2945



CRL4937/BSA/MBL



CRL4938/BSA/MBL



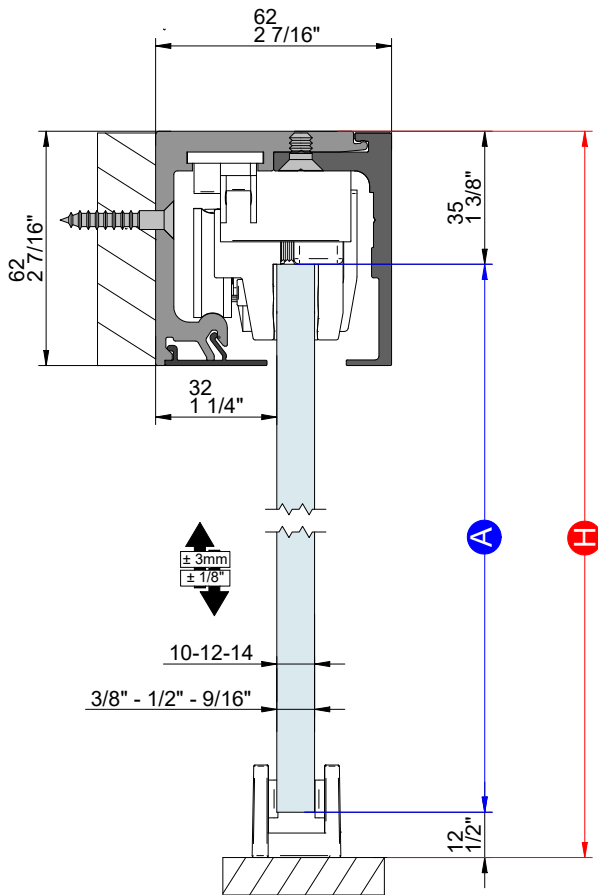
CRL2929



*ORDERED SEPARATELY

CRL695 - GLASS DEDUCTIONS AND SECTIONS

WALL MOUNTING

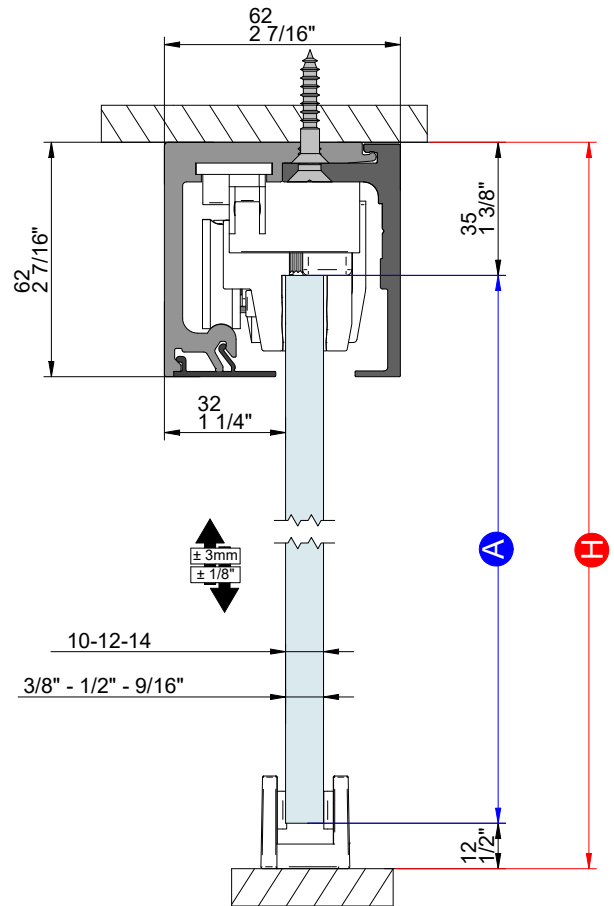


• GLASS HEIGHT "A"

$$A = H - 1 \frac{7}{8}''$$

$$A = H - 47\text{mm}$$

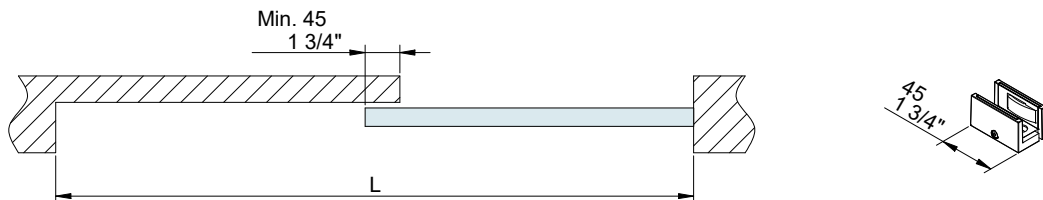
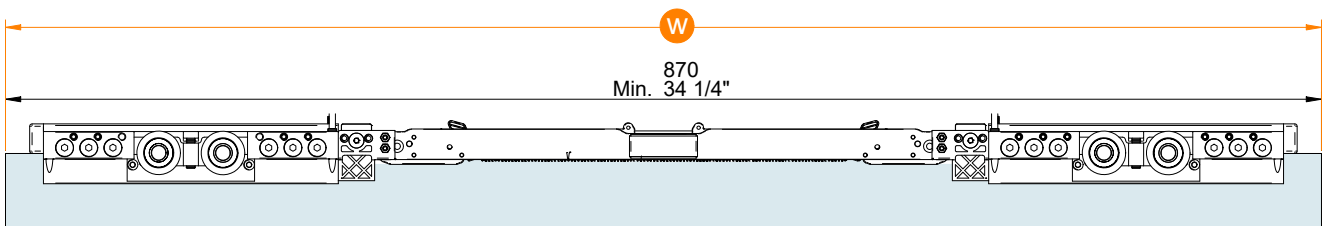
CEILING MOUNTING



• GLASS HEIGHT "A"

$$A = H - 1 \frac{7}{8}''$$

$$A = H - 47\text{mm}$$

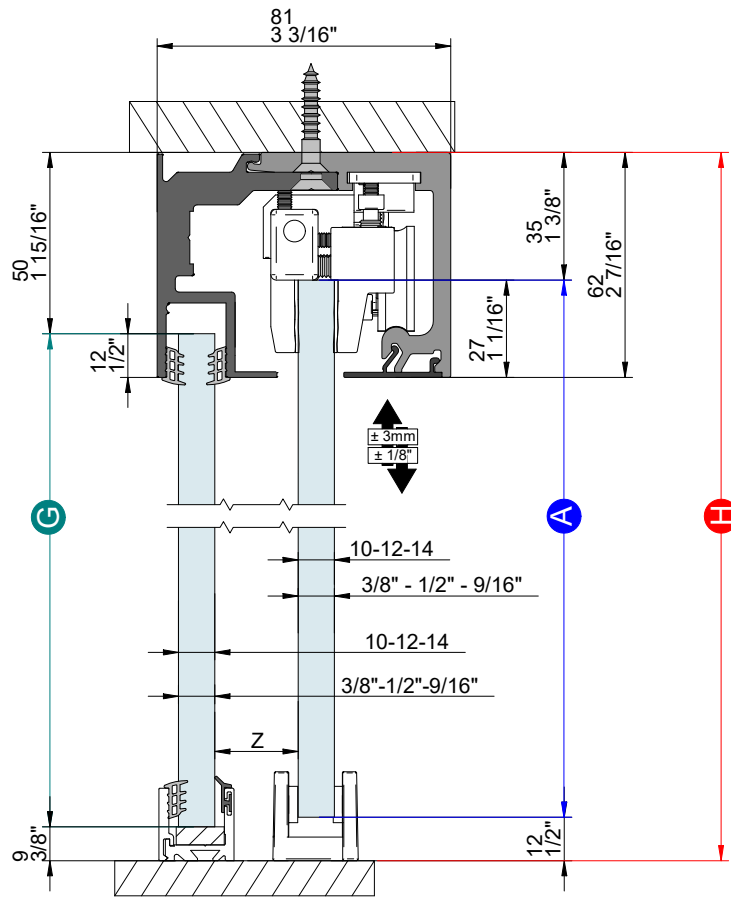


• GLASS WIDTH "W"

$$W = (L + 45) / 2$$

$$W = (L + 1 \frac{3}{4}'') / 2$$

Z	
21mm - 13/16"	10mm - 3/8"
19mm - 3/4"	12mm - 1/2"
17mm - 11/16"	14mm - 9/16"



• GLASS HEIGHT "A"

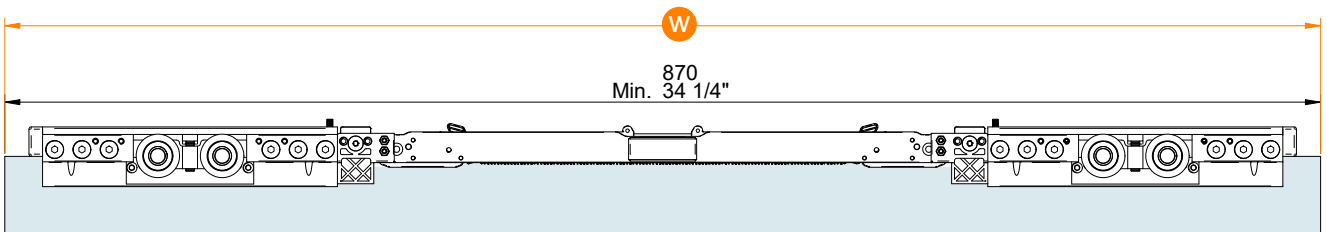
$$A = H - 1 \frac{7}{8}"$$

$$A = H - 47\text{mm}$$

• FIXED GLASS "G"

$$G = H - 2 \frac{5}{16}"$$

$$G = H - 59\text{mm}$$



• GLASS WIDTH "W"

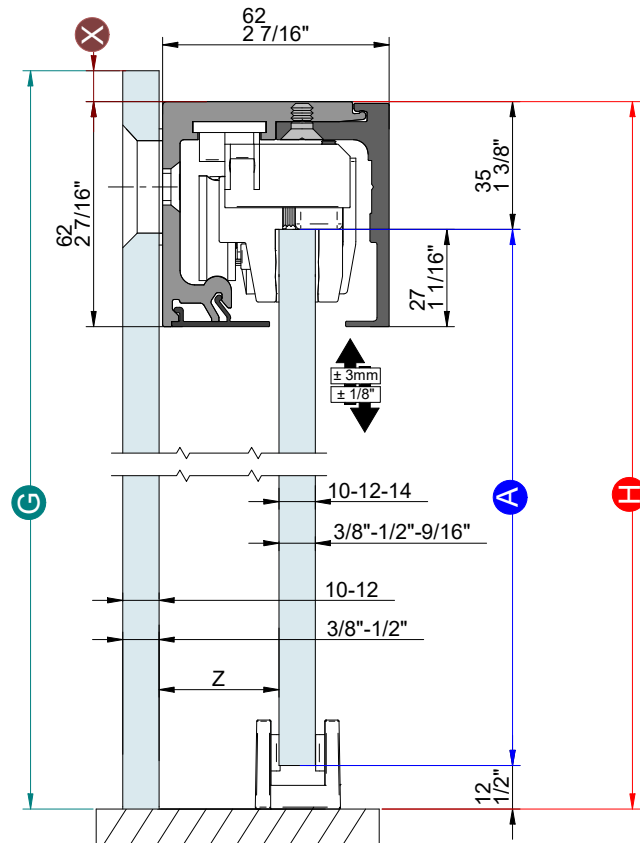
$$W = (L + 45)/2$$

$$W = (L + 1 \frac{3}{4})/2$$

CRL4972- GLASS DEDUCTION AND SECTION

GLASS WALL MOUNT

Z	
32mm - 1 1/4"	10mm - 3/8"
30mm - 1 3/16"	12mm - 1/2"
28mm - 1/18"	14mm - 9/16"



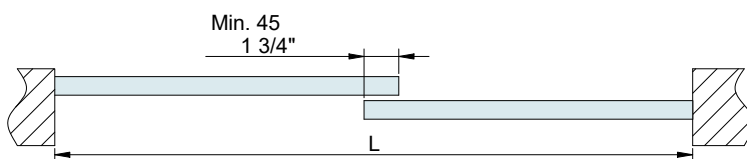
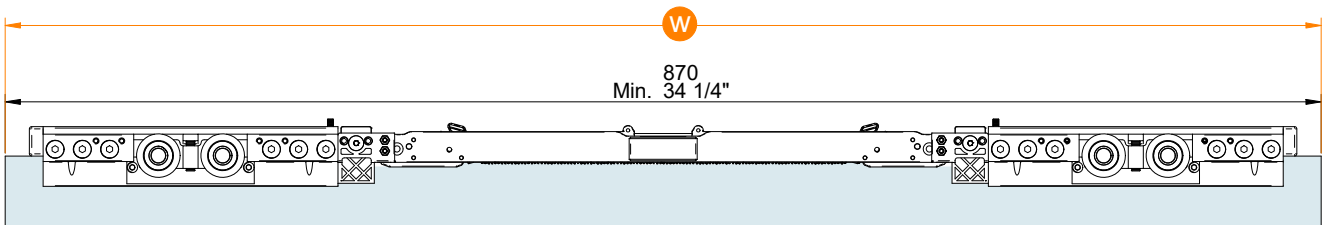
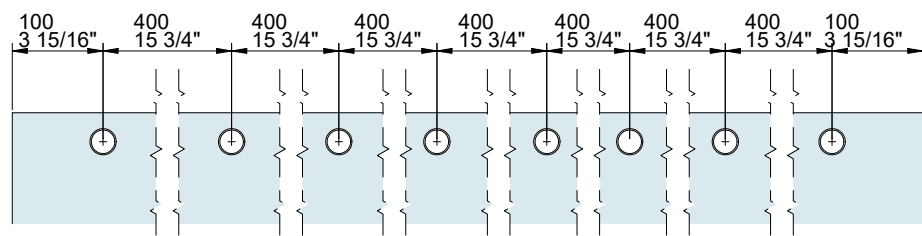
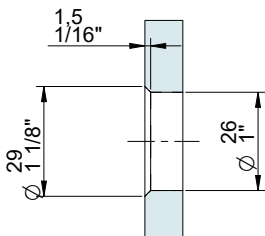
• GLASS HEIGHT "A" • GLASS WALL "G"

$$A = H - 1 \frac{7}{8}"$$

$$A = H - 47\text{mm}$$

$$G = H + X$$

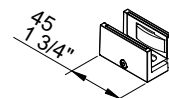
• GLASS WALL FABRICATION FOR CRL490EXT/BSA/MBL INSTALLATION WITH CRL4972 FLUSH MOUNT GLASS SUPPORT.



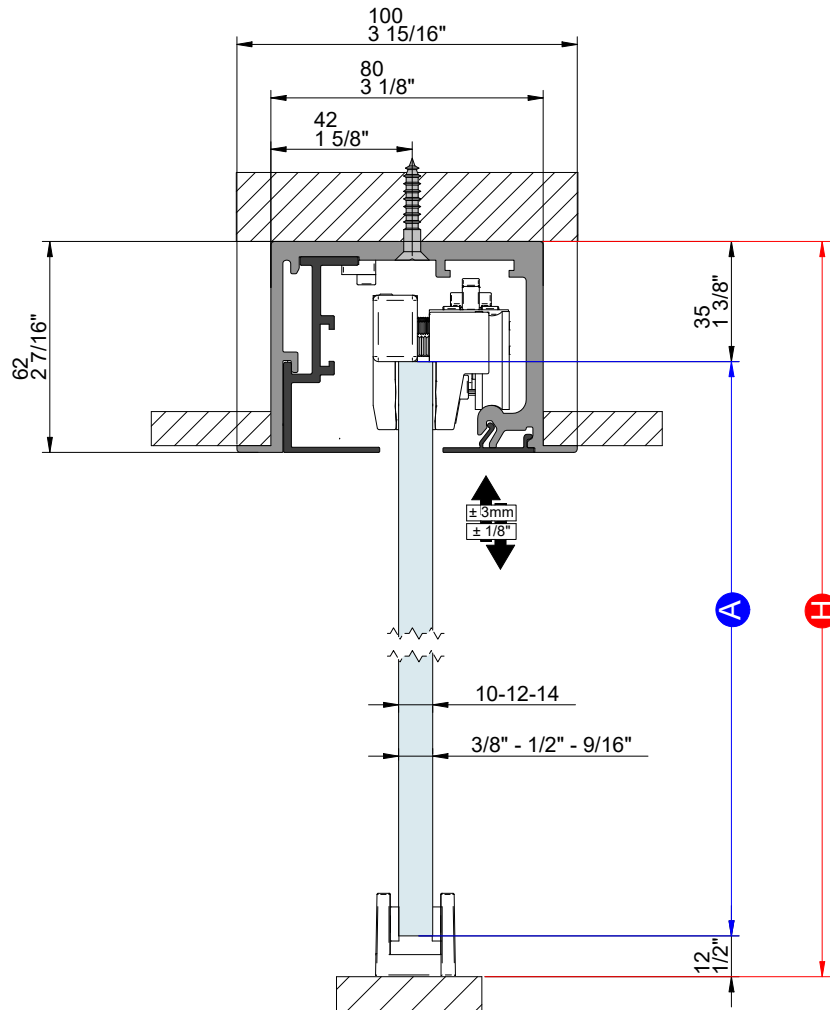
• GLASS WIDTH "W"

$$W = (L + 45)/2$$

$$W = (L + 1 \frac{3}{4})/2$$

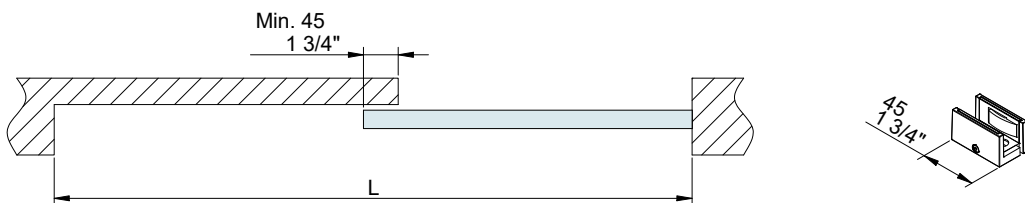
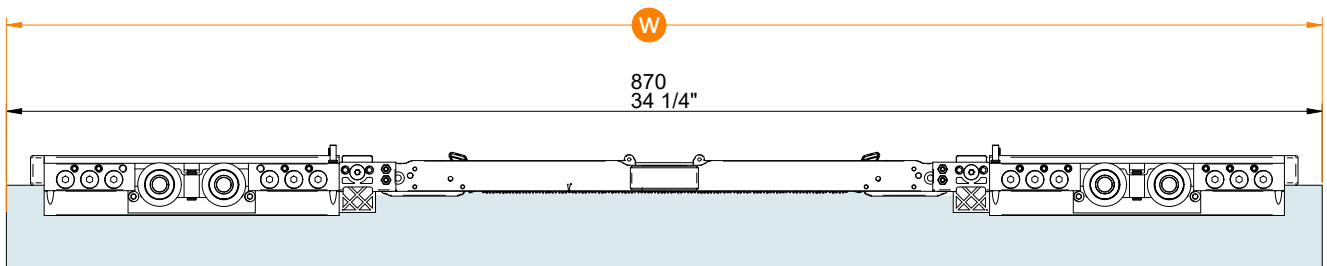


CRL695 D - GLASS DEDUCTION AND SECTION



• GLASS HEIGHT "A"

$A = H - 1 7/8"$
 $A = H - 47mm$

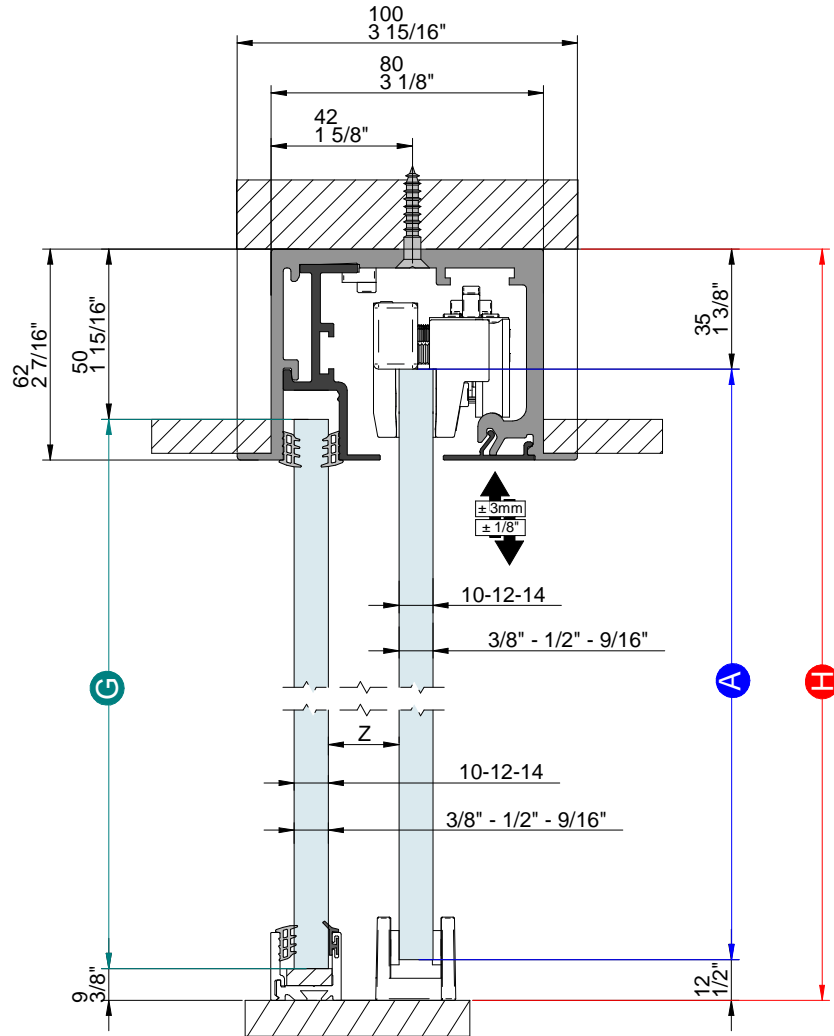


• GLASS WIDTH "W"

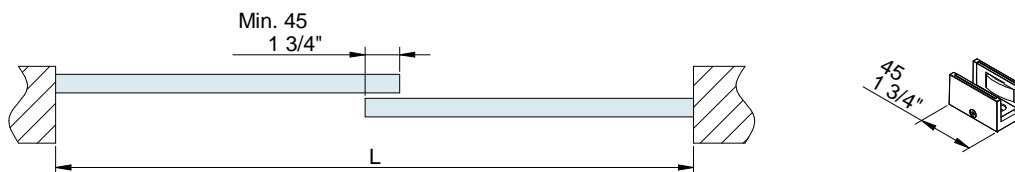
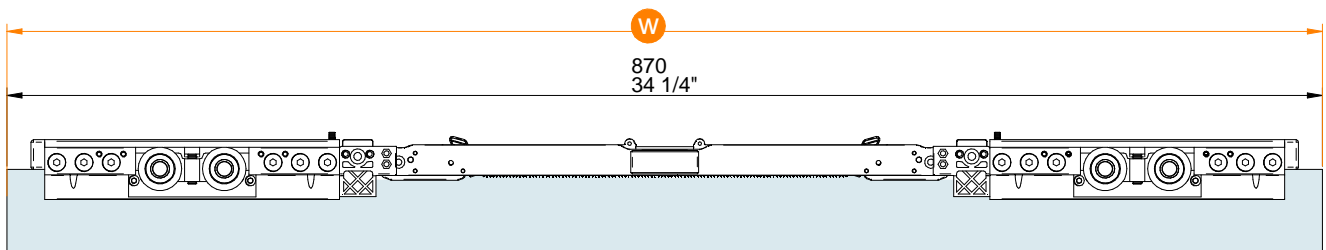
$W = (L + 45)/2$
 $W = (L + 1 3/4")/2$

CRL6951D - GLASS DEDUCTION AND SECTION

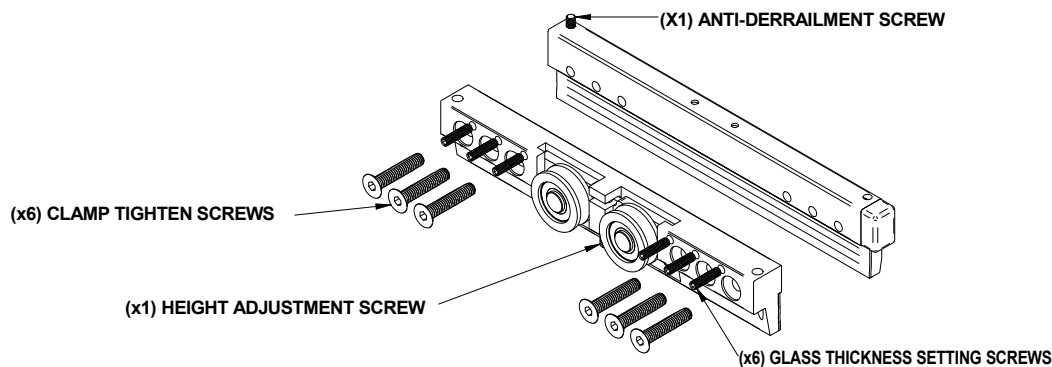
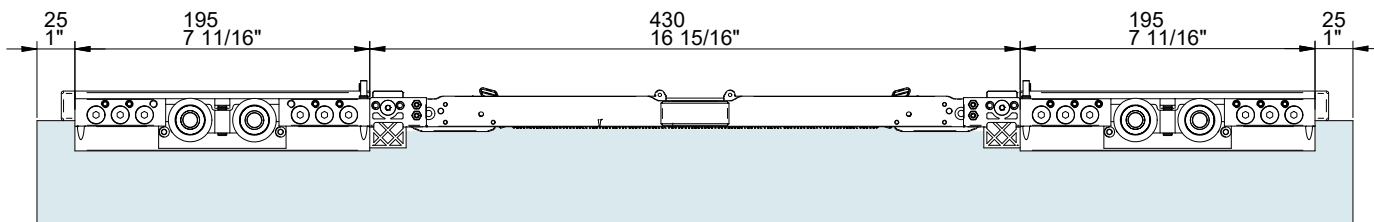
Z	
21mm - 13/16"	→ 10mm - 3/8"
19mm - 3/4"	→ 12mm - 1/2"
17mm - 11/16"	→ 14mm - 9/16"



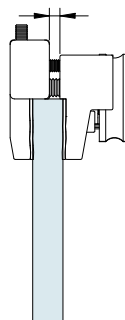
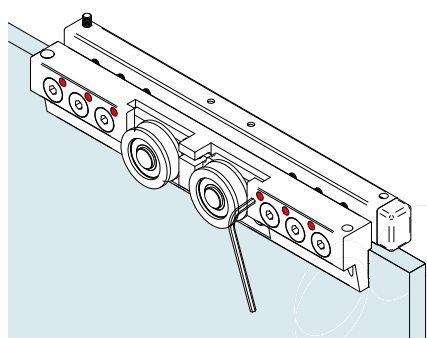
- GLASS HEIGHT "A"
 - A = H - 1 7/8"
 - A = H - 47mm
- FIXED GLASS "G"
 - G = H - 2 5/16"
 - G = H - 59mm



- GLASS WIDTH "W"
 - W = (L + 45)/2
 - W = (L + 1 3/4)/2



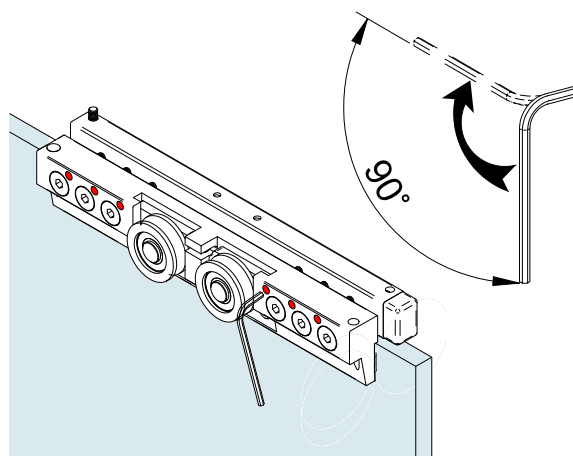
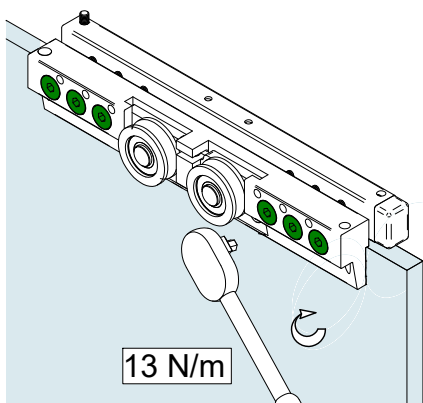
① ADJUST GLASS THICKNESS SCREWS



Clamps distance	Glass thickness
1/8" - 3mm	3/8" - 10mm
3/16" - 5mm	1/2" - 12mm
1/4" - 7mm	9/16" - 14mm

② TIGHTEN CLAMPING SCREWS

③ TIGHTEN GLASS THICKNESS SCREWS

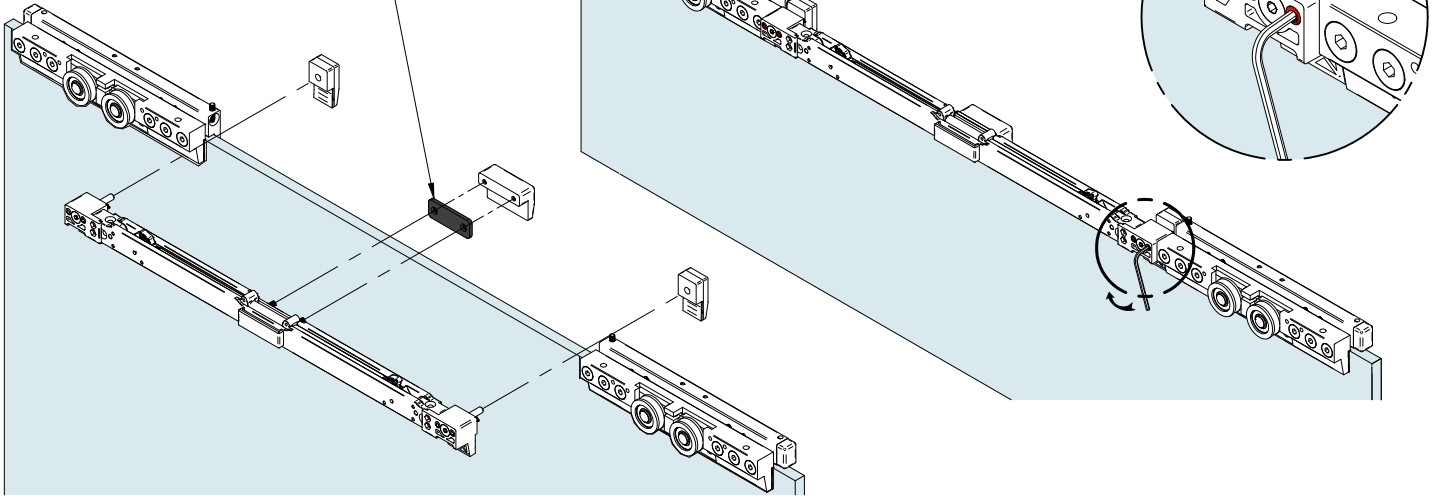


4 INSTALL SOFTCLOSE ASSEMBLY

5 ADJUST GLASS THICKNESS SCREWS

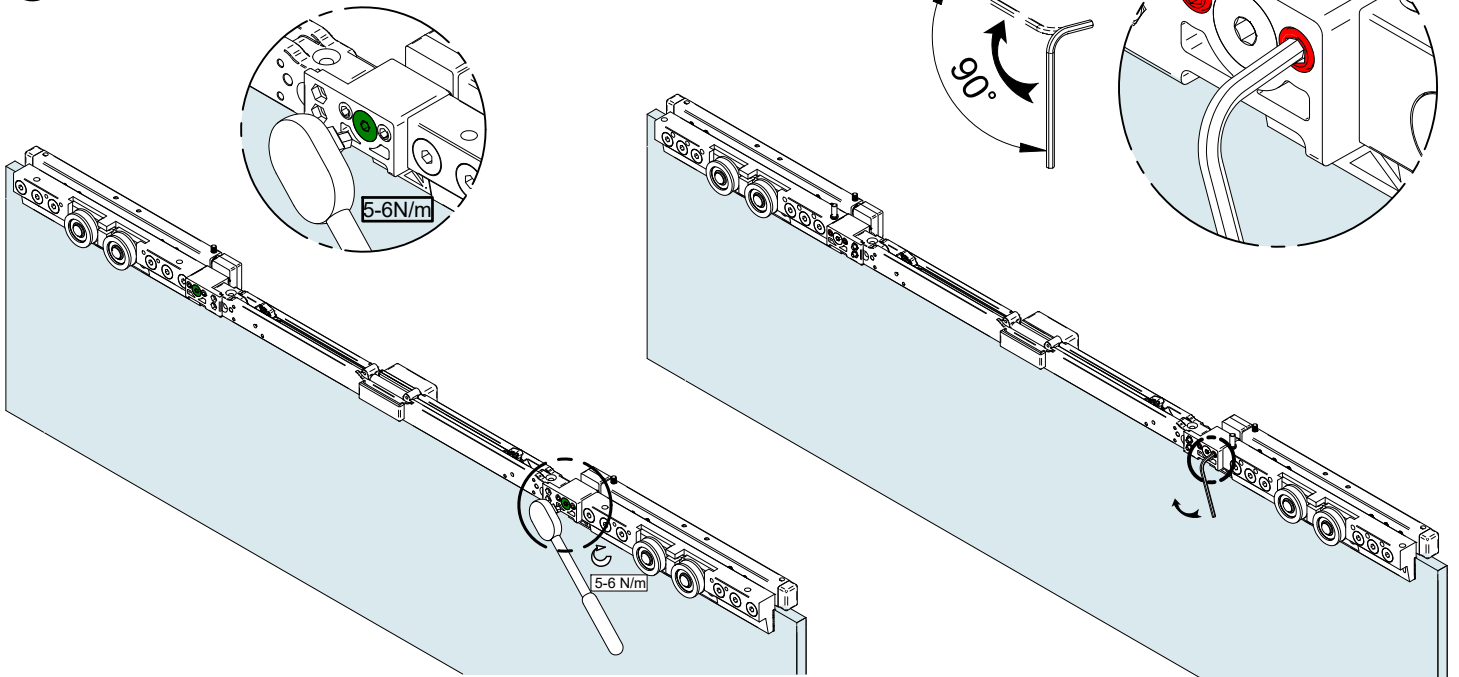


THICKNESS ONLY FOR 10mm GLASS

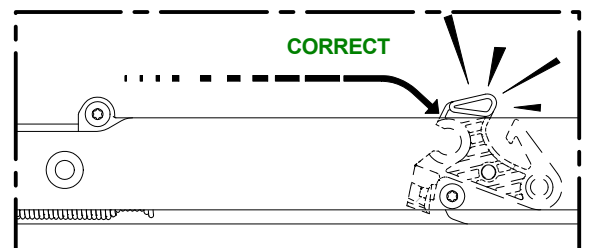
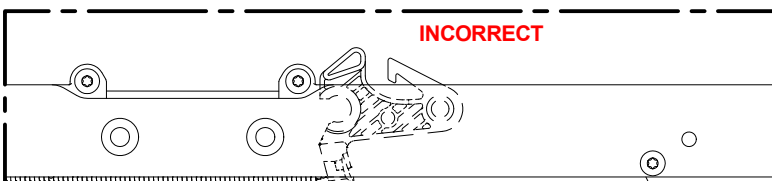


6 STRENGTH MINICLAMPS
SOFTCLOSE TIGHTEN SCREWS

7 STRENGTH THE GLASS
THICKNESS SCREWS

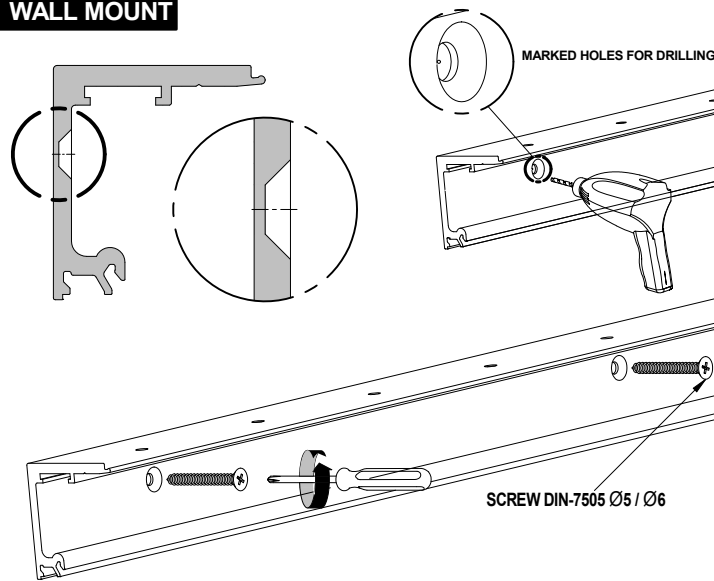


8 LOAD SOFTCLOSE

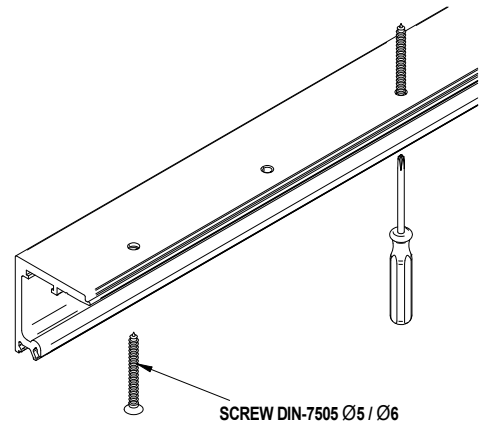


- 9 • Cut track to length. Fix the track to the wall or ceiling using the marked holes, using screws DIN-7505 Ø5 / Ø6 (NOT INCLUDED).
 • Ensure Track is level.

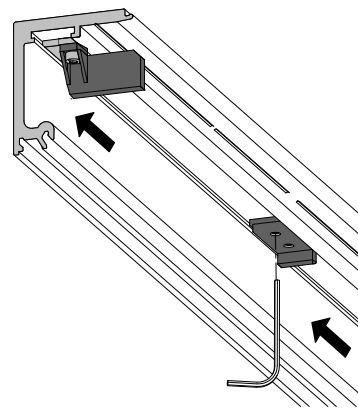
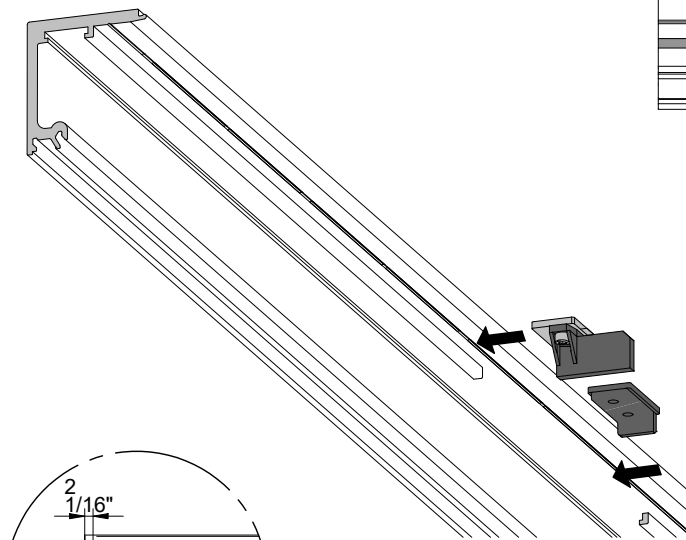
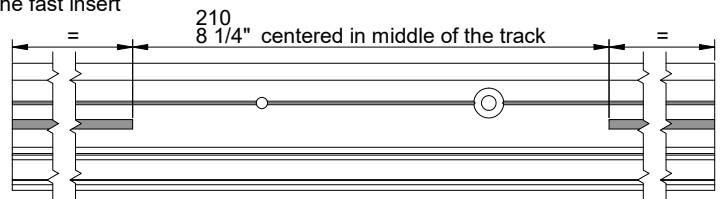
WALL MOUNT



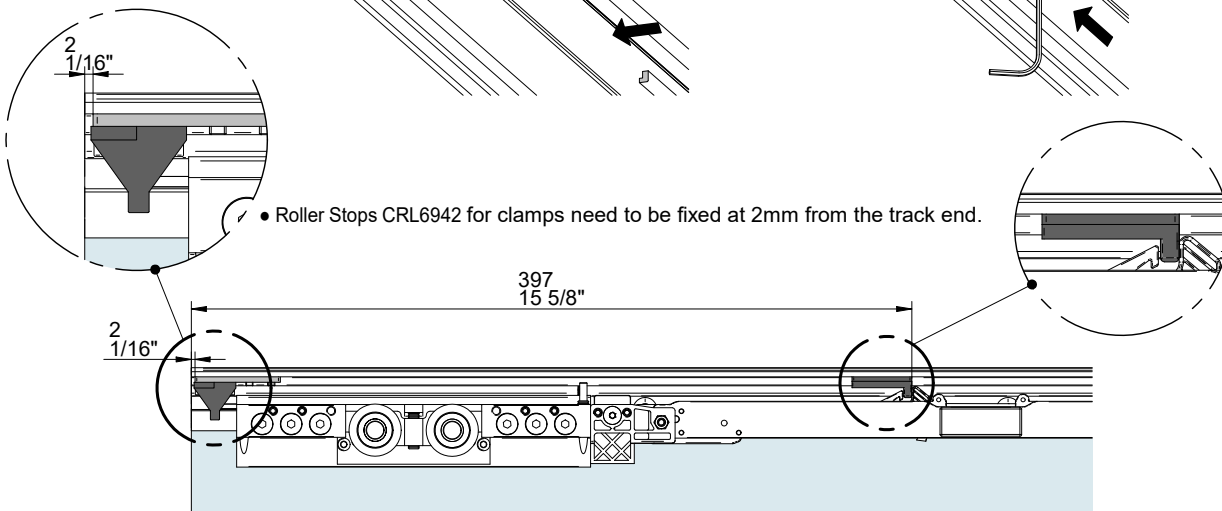
CEILING MOUNT



- 10 • Insert Roller Stops CRL6942 and Softclose pin activator using the fast insert
 • Softclose activator at 397mm - 15 5/8" from the closing side.



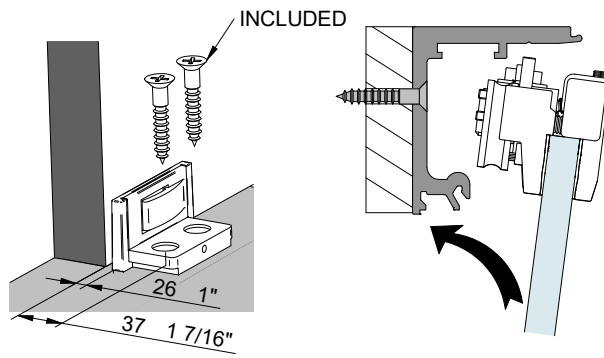
• Roller Stops CRL6942 for clamps need to be fixed at 2mm from the track end.



HARDWARE INSTALLATION

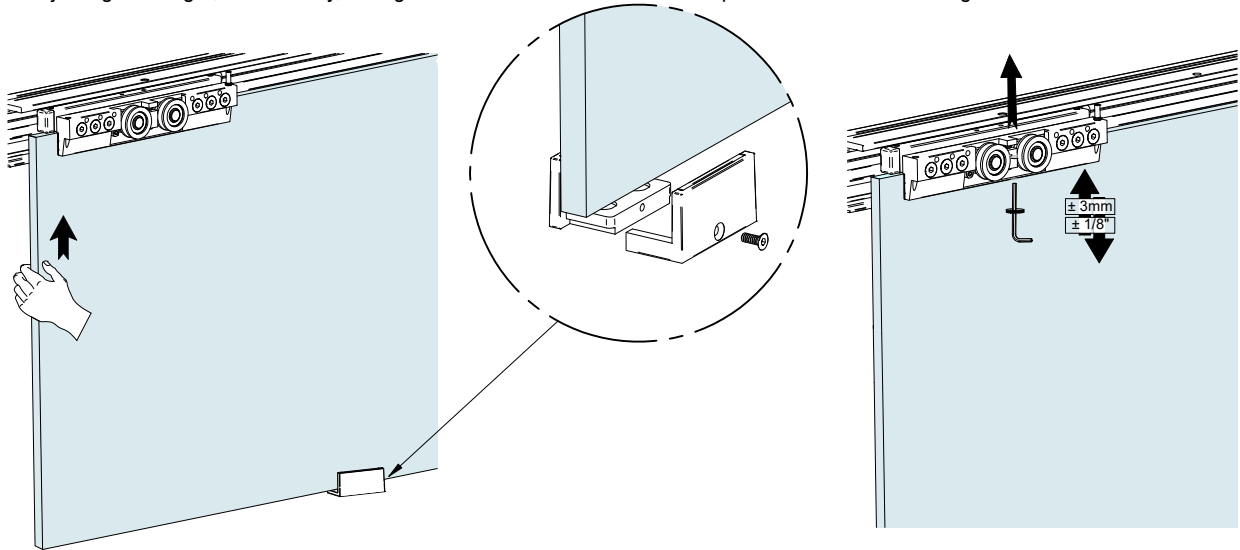
DOOR MOUNT

- ①
- Fix the 1st part of the bottom guide to the floor.
 - Hang the glass panel on the track.

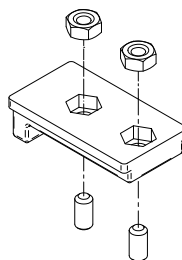
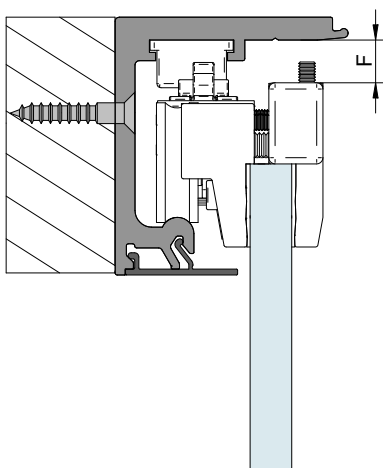


- ②
- Fix the second part of the bottom guide and regulate height if required.
 - After adjusting the height, if necessary, change the softclose activators that are provided in 3 different heights.

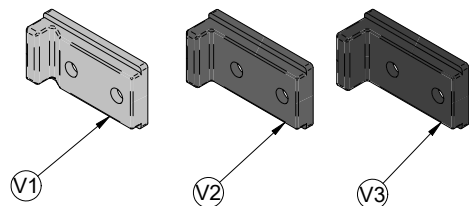
HEIGHT ADJUSTMENT



SOFTCLOSE ACTIVATOR PINS MOUNT



V ₁		F ≤ 3/8" F ≤ 9mm
V ₂		3/8" < F < 7/16" 9mm < F < 11mm
V ₃		F ≥ 7/16" F ≥ 11mm

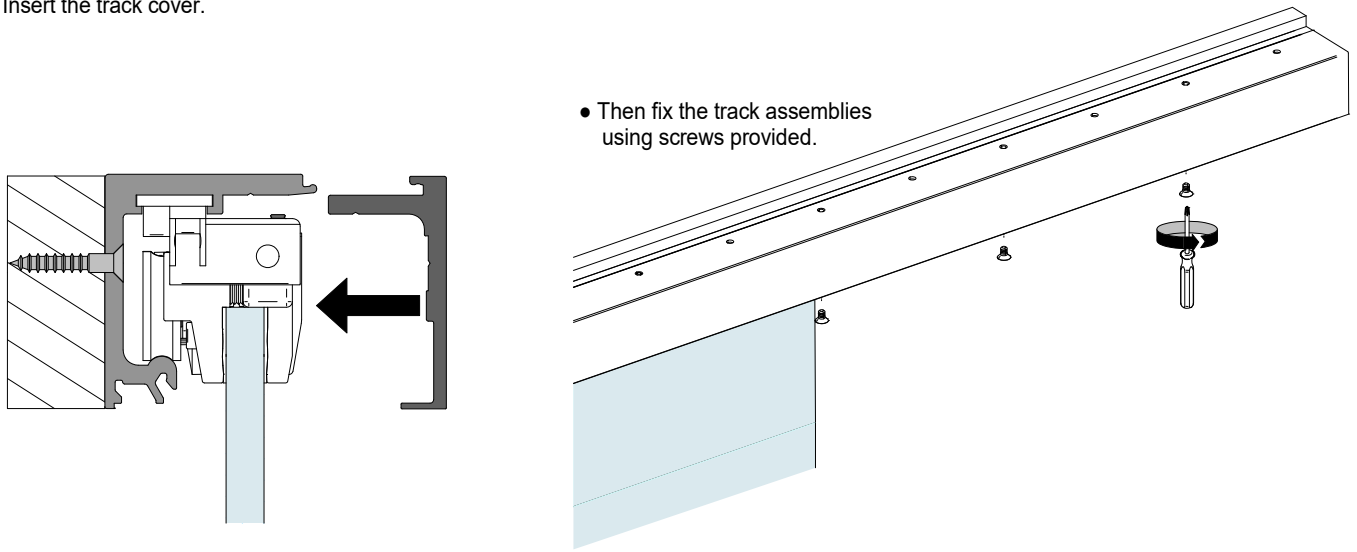


HARDWARE INSTALLATION

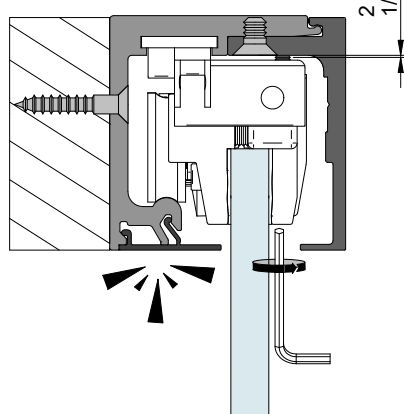
ANTI-DERRAILMENT SCREW

13 TRACK COVER

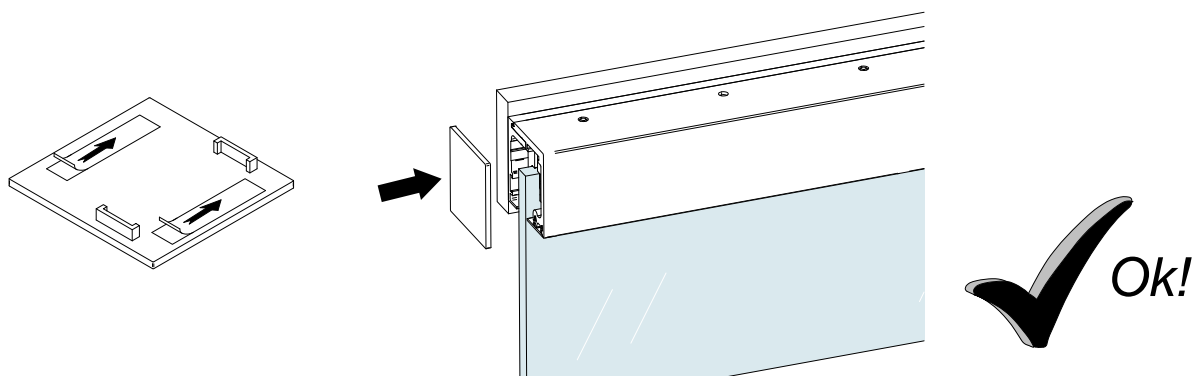
- Insert the track cover.



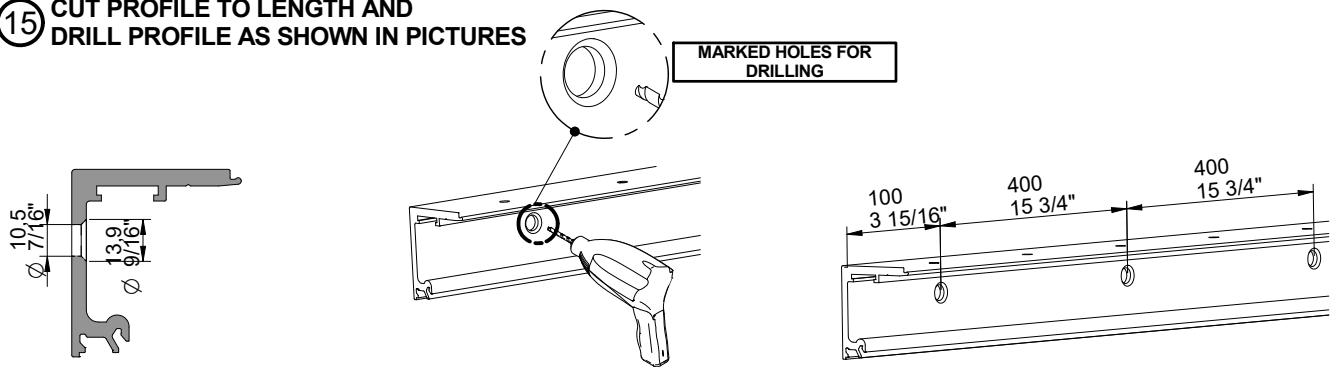
- Regulate the anti-derrailment screw in height.
- Clip trim cover profile



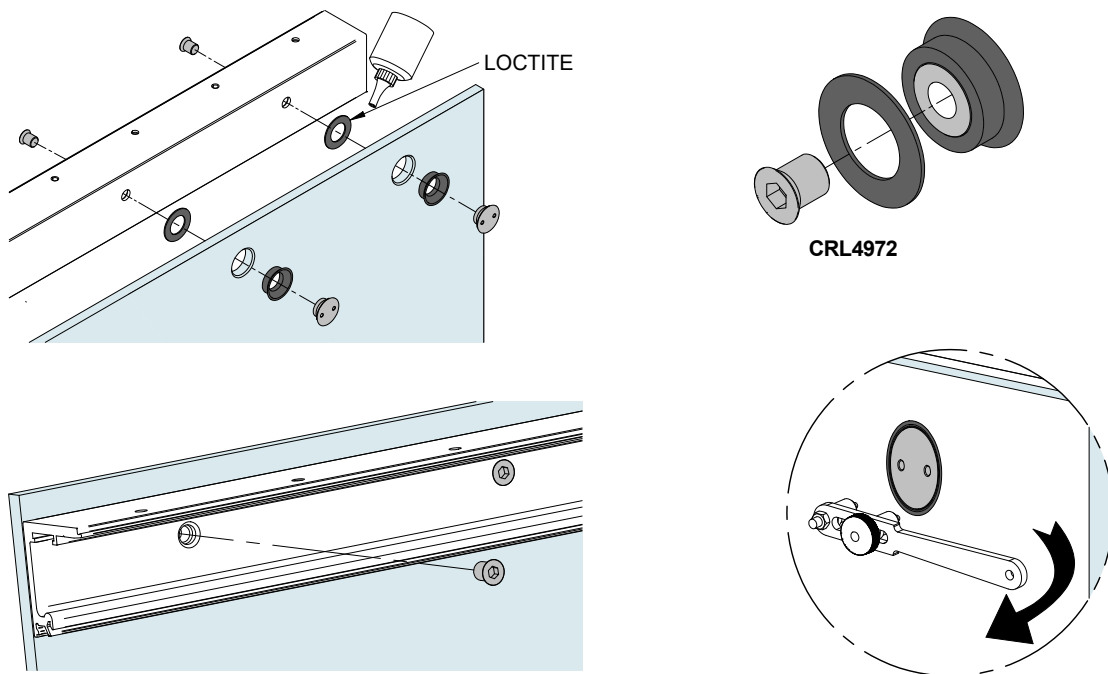
14 END TRACK COVERS



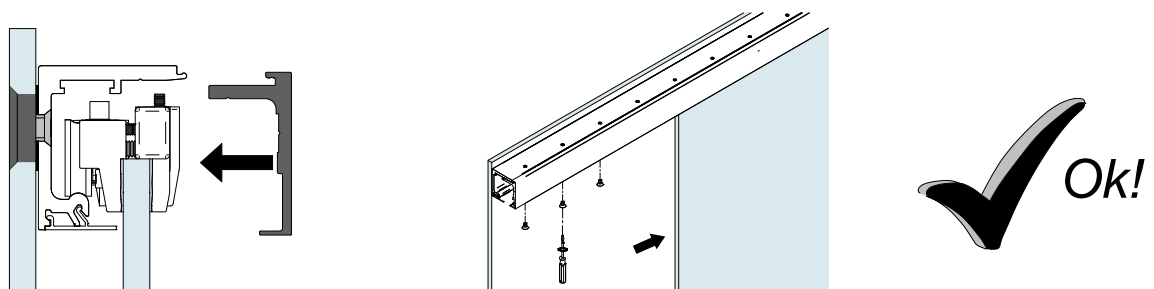
15 CUT PROFILE TO LENGTH AND DRILL PROFILE AS SHOWN IN PICTURES



16 GLASS WALL BRACKET



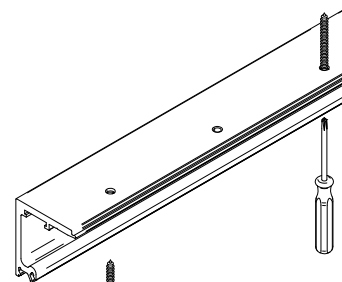
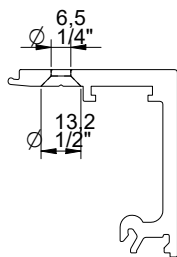
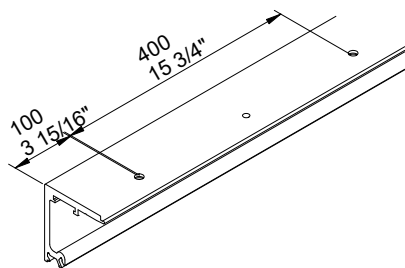
17  FOLLOW INSTALLATION STEPS AS PER CRL695 KIT PAGE 11.



HARDWARE INSTALLATION

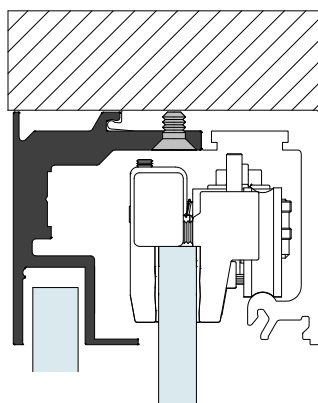
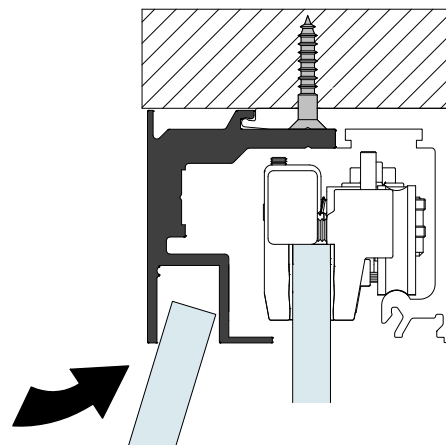
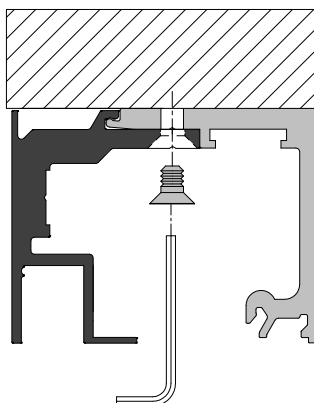
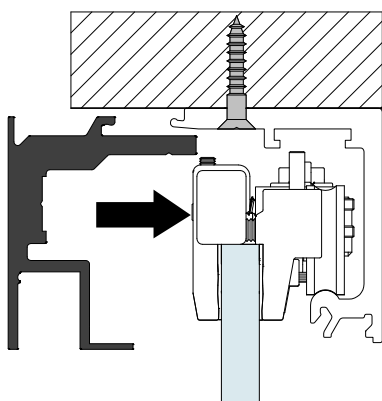
CEILING MOUNT WITH FIXED GLASS

18 CEILING MOUNT

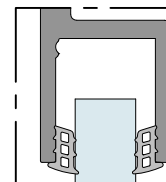
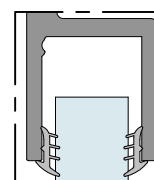


SCREW DIN-7505 Ø5 / Ø6 (NOT INCLUDED)

19 MOUNT PROFILE FOR FIXED GLASS

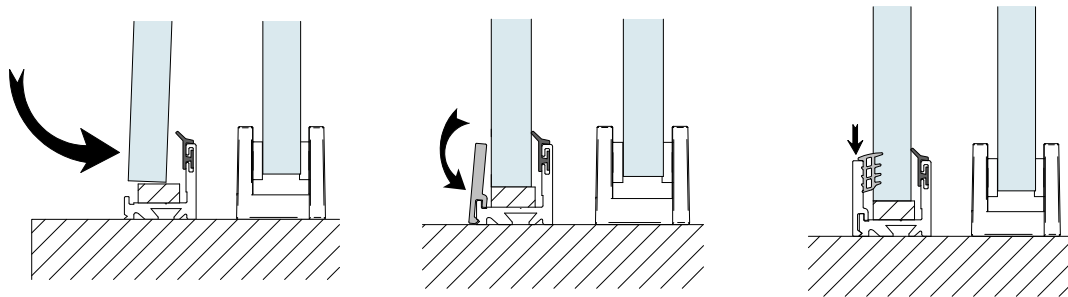
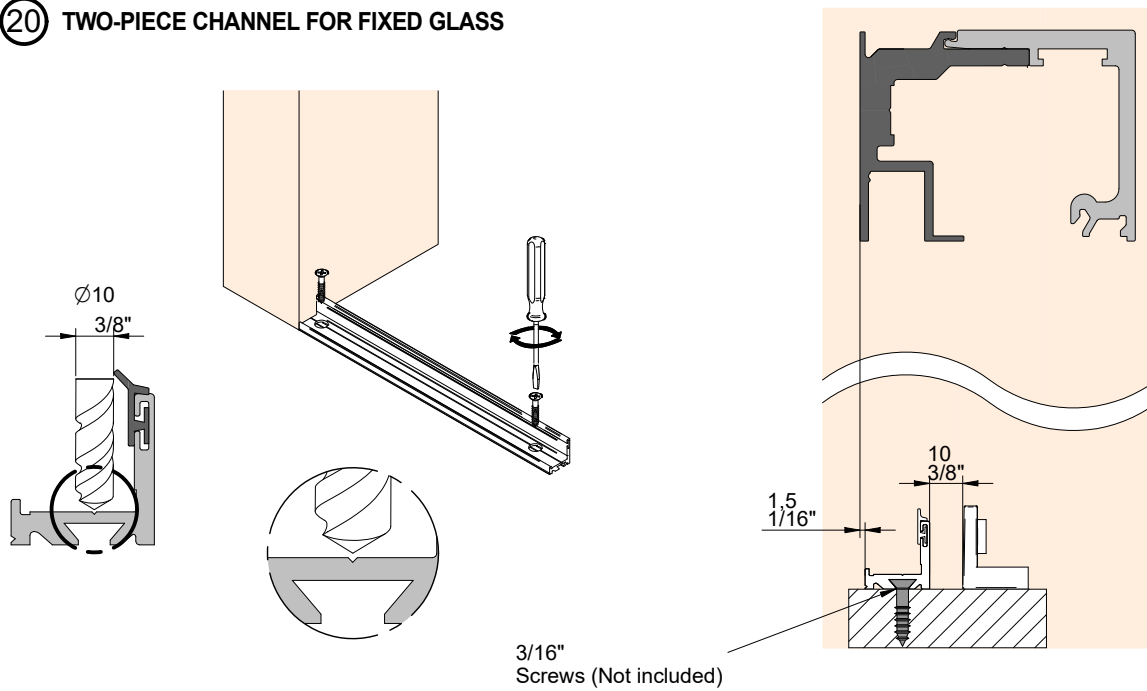


OPTIONAL		
CODE		PVC GASKET
CRL2944	12mm - 1/2"	
CRL2943	10mm - 3/8"	

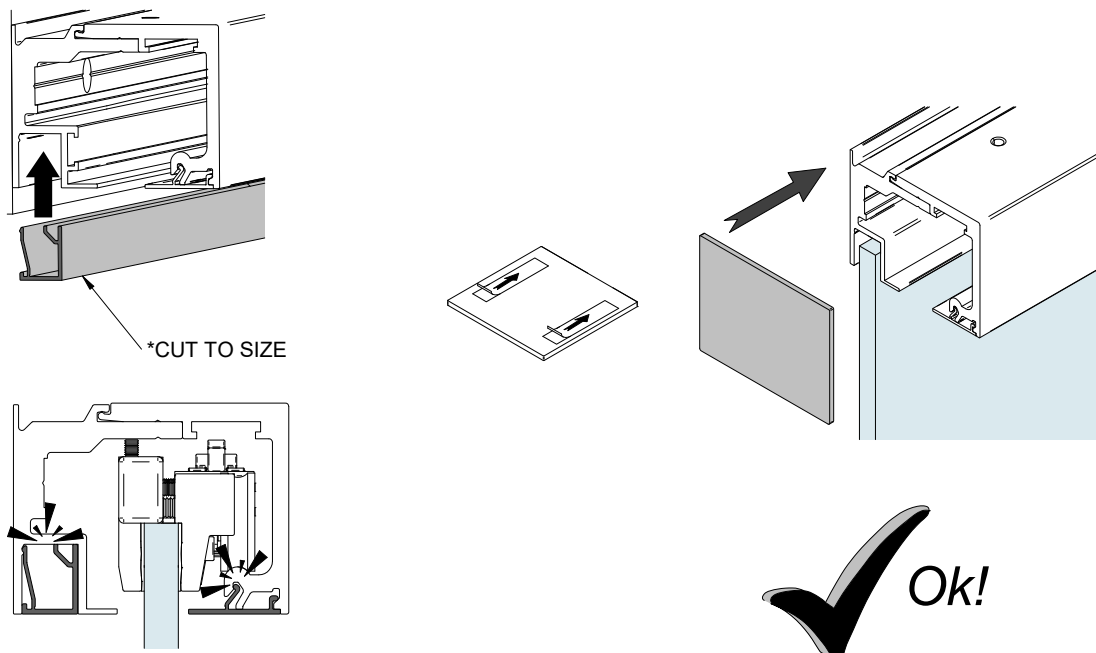


HARDWARE INSTALLATION

20 TWO-PIECE CHANNEL FOR FIXED GLASS



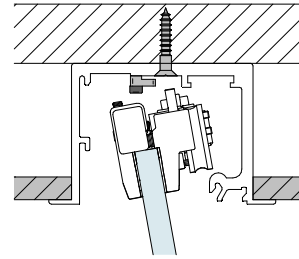
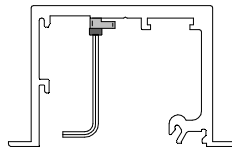
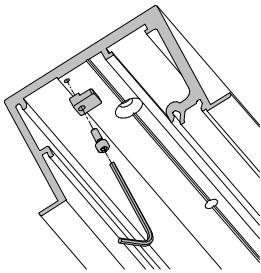
21 TRIM PROFILES AND END COVERS MOUNT



HARDWARE INSTALLATION

FALSE CEILING MOUNT WITH FIXED GLASS

22 INSTALL TRACK FALSE CEILING



23 DIFFERENT PROFILES MOUNT

