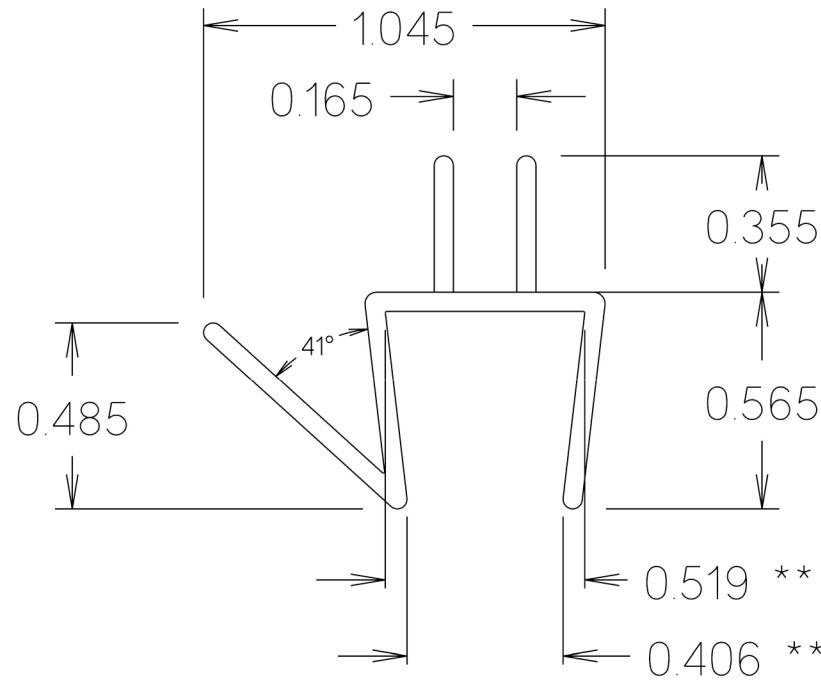


ACTUAL SIZE



- ALL PROFILE TOLERANCES +/- 0.015" UNLESS OTHERWISE SPECIFIED
- ALL WALL THICKNESSES +/- 0.005" UNLESS OTHERWISE SPECIFIED
- 0.050 WALL THICKNESS
- MATERIAL: PETG/FPVC
- CUT-OFF: SEE WORK ORDER
- "xx" INDICATES CRITICAL DIMENSION

1/2" BOTTOM WIPE W/DRIP RAIL/US HORIZONS

SCALE: 2:1 DATE: FEB 22/22