

**C.R. LAURENCE CO. INC.**

**User's Manual**  
**TLEX1 Extractor Pry Bar**



**Cat. No. TLEX1**  
**Extractor Pry Bar**

**IMPORTANT: PLEASE READ BEFORE USING**

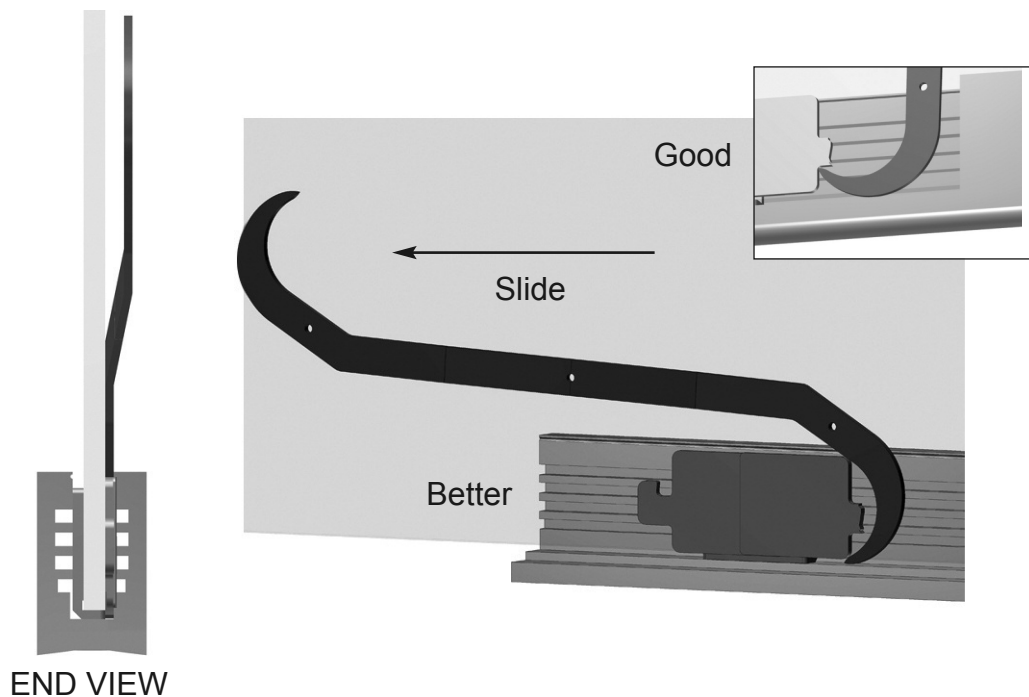
The TAPER-LOC® Extractor Tool is made from a hardened alloy tool steel and may exert extreme surface pressure while removing the Tapers. Always wear safety goggles and gloves when using to prevent injury.



The TLEX1 Extractor Pry Bar is a versatile tool designed primarily for the removal of broken TAPER-LOC® Tapers. Because it is made of hardened alloy tool steel, the TLEX1 is suitable for any demolition tasks in confined areas. It is easy to achieve considerable point pressure due to its high leverage design. Prying, pulling, lifting and breaking, the indestructible Extractor is a must for every job site tool box.

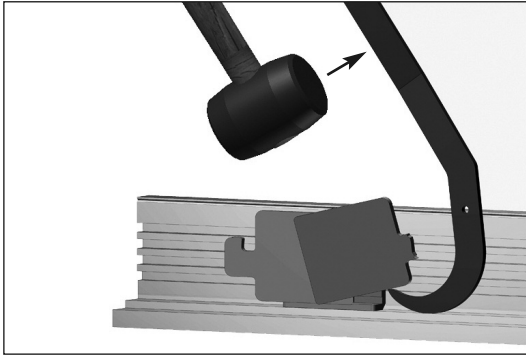
## TAPER-LOC® Taper Removal Procedures

**STEP 1:** Insert the Extractor into the base shoe and under the right glass taper. The offset handle should be away from the glass surface to allow room for your hands.



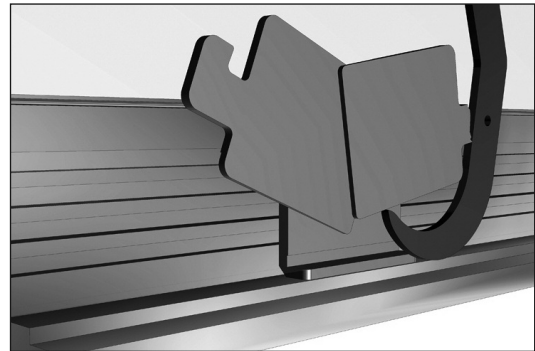
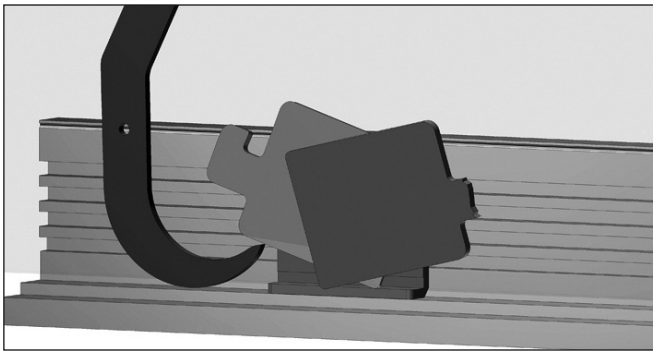
Position the tool as illustrated above and slide to the left while holding with both hands. Try to wedge the tip of the Extractor under the main part of the taper body rather than the ear. Depending upon the type of tapers used and the size of the base shoe, the bottom gap will vary. If you cannot get the tool under the bottom edge of the taper then the ear protrusion will be adequate.

# TAPER-LOC<sup>™</sup>X EXTRACTOR



**STEP 2:** Using a rubber or plastic mallet, apply firm blows to the upper handle of the Extractor to break any seal that may have formed between the glass taper and the base shoe due to weathering. If you feel movement, stop and relocate the Extractor further under the taper and repeat the process. The goal is to raise the taper corner about one inch (see illustration below).

**STEP 3:** Reverse the offset of the tool and repeat the procedure on the other side. Slightly lift the corner of the opposing taper thereby eliminating the pressure against the shoe. **NOTE:** The best results are achieved by making small movements of the tapers by working the left and right sides until they lift out with minimum effort.



## PRECAUTIONS:

- 1: The Extractor Tool can apply extreme pressure to the work surface. Make sure that you are in contact with the taper, NOT the glass edge.**
- 2: Operator should wear safety gear including gloves and goggles when using the Extractor.**
- 3: The tool is made from hardened steel and should not be struck with another hardened / tempered steel device.**
- 4: Tempered glass can shatter at any time and cause injury to the operator and pedestrians below. A protective containment barrier is highly recommended on the outside of the glass partition in order to protect persons below.**

# TAPER-LOC<sup>™</sup>X EXTRACTOR