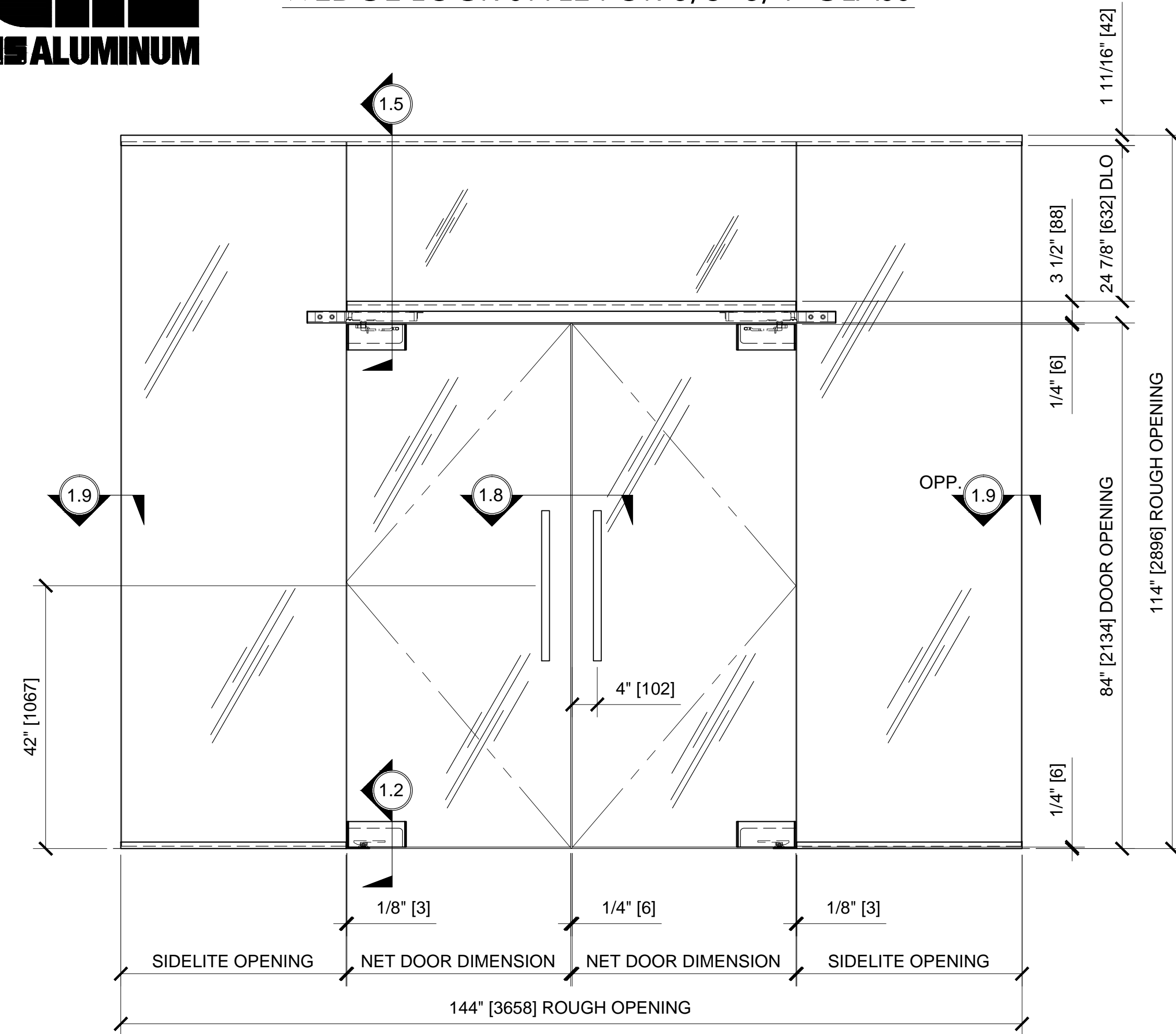




**CRL COMMERCIAL PATCH HARDWARE WEDGE LOCK STYLE FOR 5/8"-3/4" GLASS**



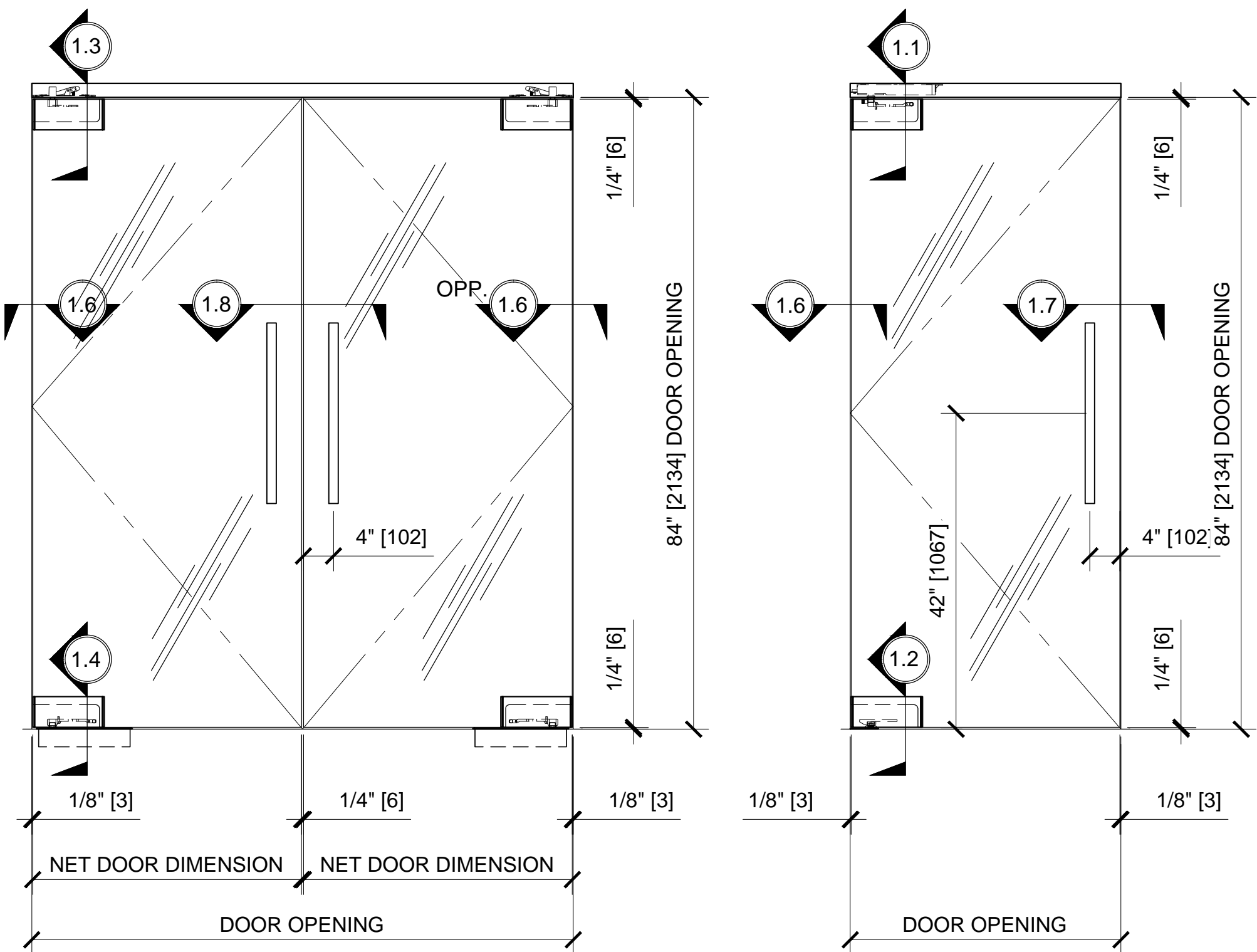
**STANDARD WEDGE LOCK DOOR (HEIGHT) GUIDELINES**  
 5/8" (15mm) TEMPERED GLASS = 84" RECOMENDED MAX HEIGHT (OHCC)  
 5/8" (15mm) TEMPERED GLASS = 96" RECOMENDED MAX HEIGHT (FLR CLSR)  
 3/4" (19mm) TEMPERED GLASS = 84" RECOMENDED MAX HEIGHT (OHCC)  
 3/4" (19mm) TEMPERED GLASS = 96" RECOMENDED MAX HEIGHT (FLR CLSR)

**STANDARD WEDGE LOCK DOOR (WIDTH) GUIDELINES**  
 5/8" (15mm) TEMPERED GLASS = 36" RECOMENDED MAX WIDTH  
 3/4" (19mm) TEMPERED GLASS = 36" RECOMENDED MAX WIDTH

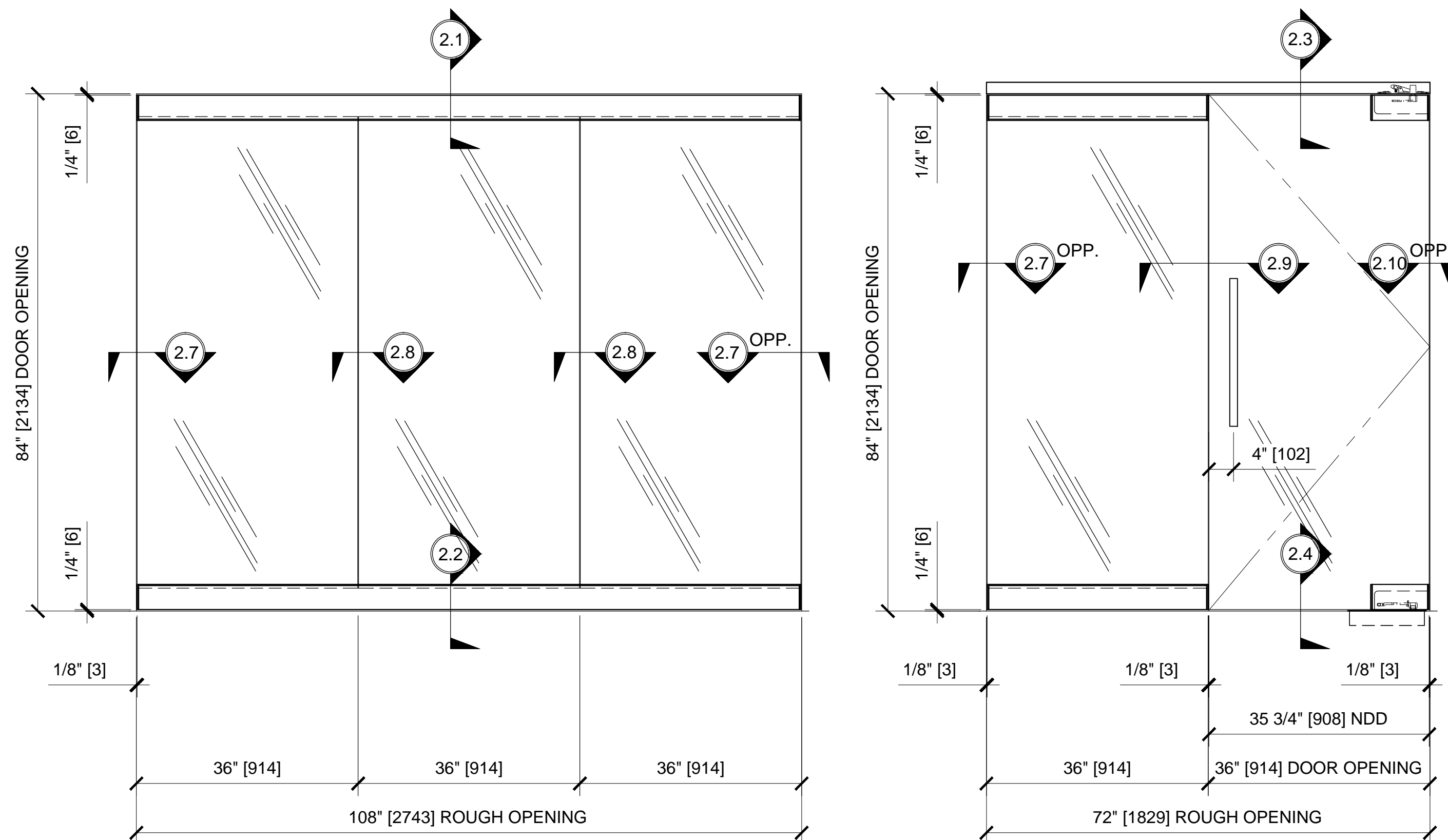
- \* EXCLUSIVE CRL WEDGE-LOCK GLASS SECURING SYSTEM FOR RAPID INSTALLATION AND STEADFAST HOLDING POWER
- \* DOOR ASSEMBLY CAN BE READY FOR INSTALLATION IN LESS THAN 10 MINUTES
- \* UNIVERSAL TOP AND BOTTOM RAILS CUT INVENTORY AND MAKE ORDERING EASIER
- \* DRY GLAZING ALLOWS FOR FIELD REPLACEMENT

- \* ALLOWS JAMB ALIGNMENT WITHOUT REMOVING THE DOOR
- \* INTERNAL COMPONENTS DO NOT REQUIRE REMOVAL BEFORE INSTALLATION
- \* RIGID SINGLE COMPONENT HOUSING WILL NOT SHIFT OR FALL OUT OF ADJUSTMENT
- \* GLASS SECURING PADS ARE DESIGNED FOR LONGEVITY IN EXTREME ENVIRONMENTS

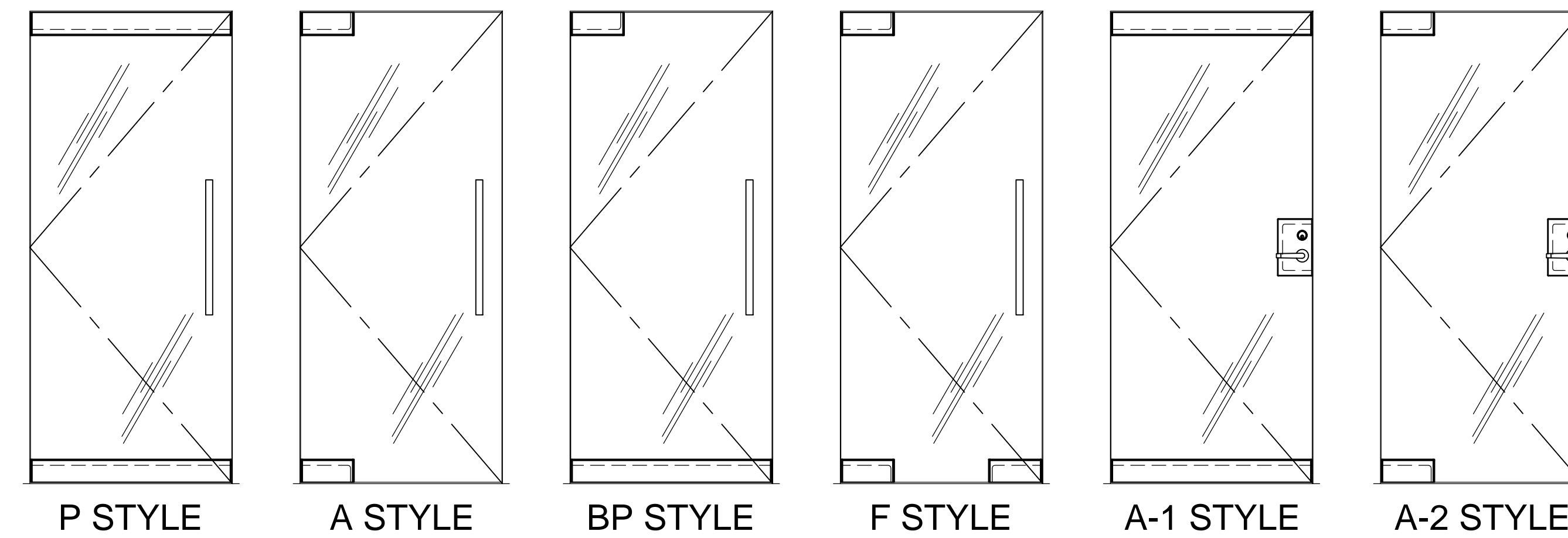
\*SIDELIGHT RAILS ARE AVAILABLE IN FIVE STYLES IN UP TO ELEVEN ARCHITECTURAL FINISHES



**TYPICAL HURCULITE WEDGE-LOCK GLASS DOOR ELEVATIONS**

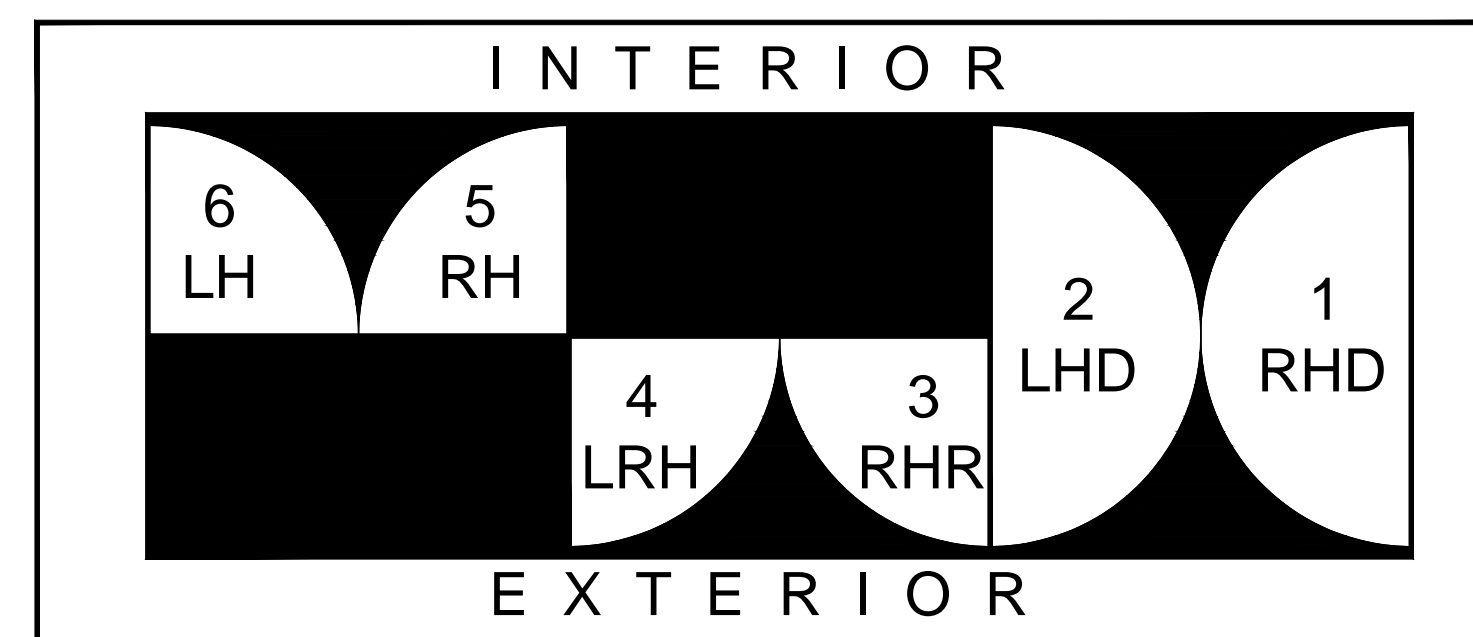


**TYPICAL SIDELITE ELEVATIONS**



**TYPICAL HURCULITE WEDGE-LOCK DOOR STYLES**

**DOOR SWING CHART**



**"INDUSTRY STANDARD" DOOR STYLES AND SWINGING DOOR PATTERNS**

THERE ARE SIX BASIC "ALL-GLASS" DOOR STYLES TYPICALLY REFERRED TO THROUGHOUT THE INDUSTRY. BY IDENTIFYING YOUR BASIC DOOR STYLE AND SWING, IT WILL HELP MAKE CLEAR WHAT YOUR INTENTIONS ARE FOR THE PARTICULAR PROJECT. FOR MORE INFORMATION, PLEASE CONTACT OUR TECHNICAL SALES DEPARTMENT AT (800) 421-6144 IN THE U.S., (877) 421-6144 IN CANADA, OR (323) 588-1281 INTERNATIONAL. ASK FOR EXT. 7700. YOU CAN SEND E-MAIL THROUGH THE [crlaurence.com](http://crlaurence.com) HOME PAGE. CLICK ON CONTACT US, AND THEN CLICK ON TECHNICAL SALES FOR COMMERCIAL PRODUCTS.

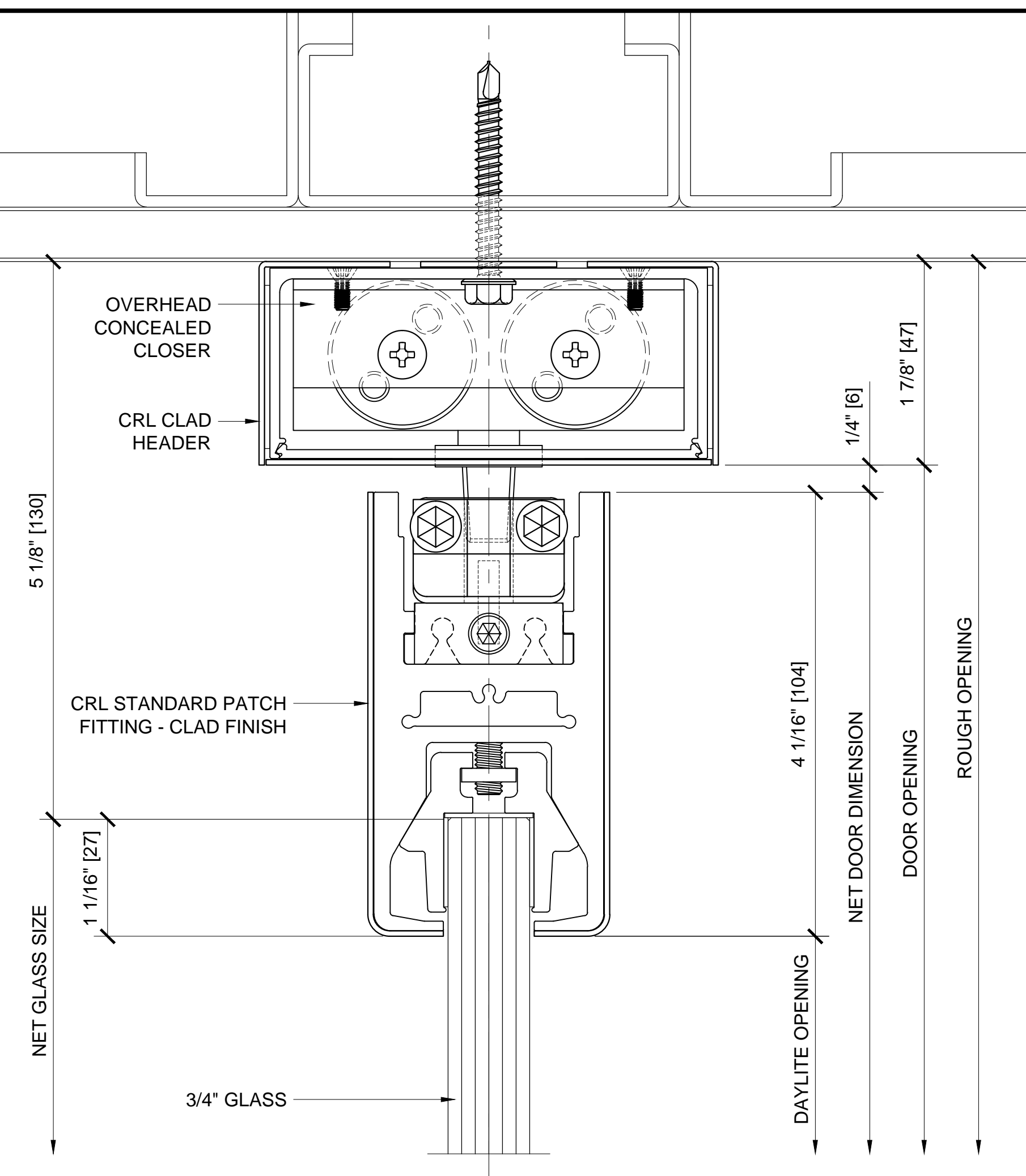
Revisions By:



**Discription:**  
 CRL COMMERCIAL PATCH HARDWARE AND SIDELITES WEDGE LOCK STYLE FOR 5/8"-3/4" GLASS

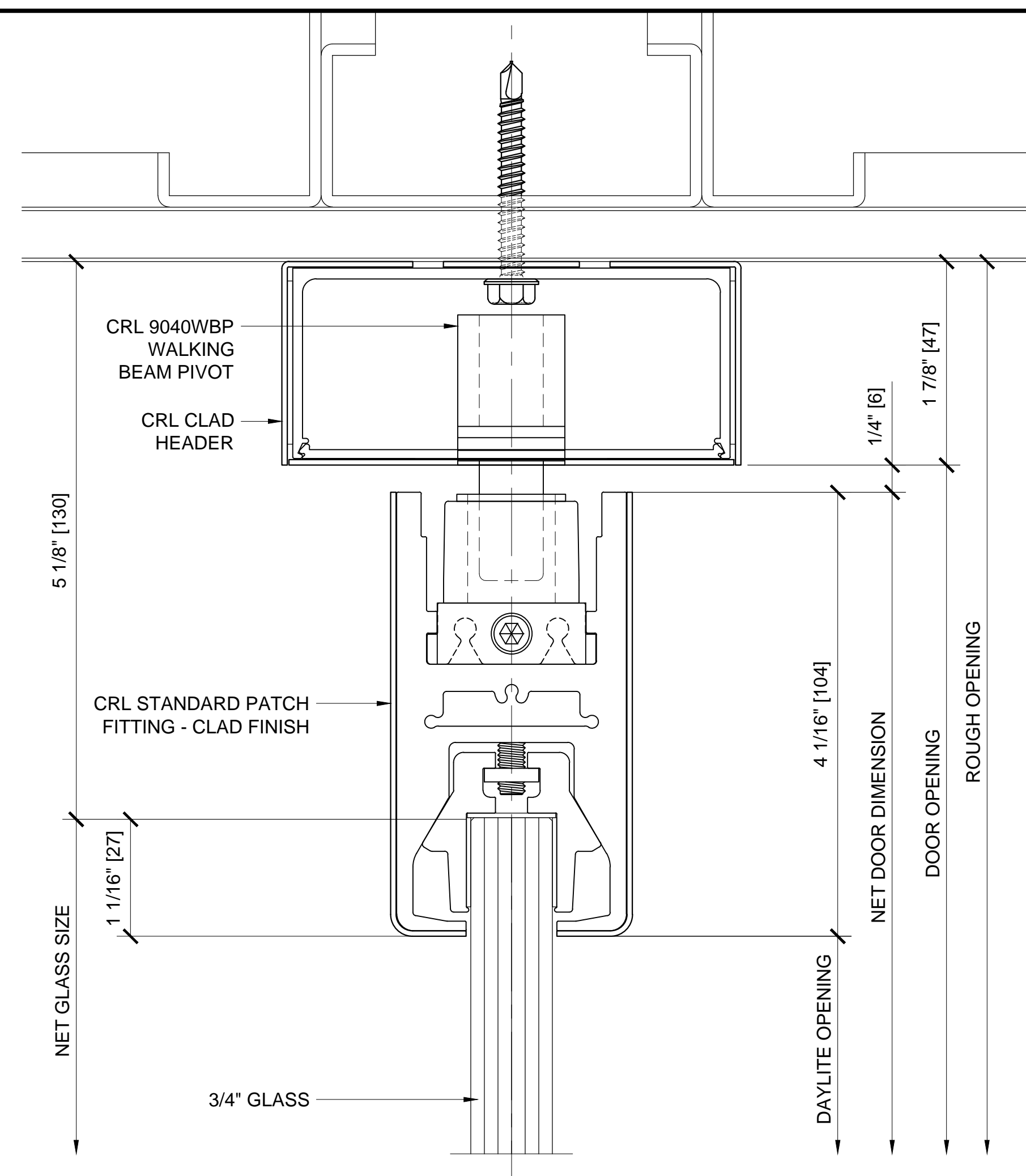
Drawn By: AAD  
 Date: 1/3/14  
 Scale: 3/4" = 1'-0"  
 File Name: PATCH FITTINGS-WL5834.dwg

Sheet



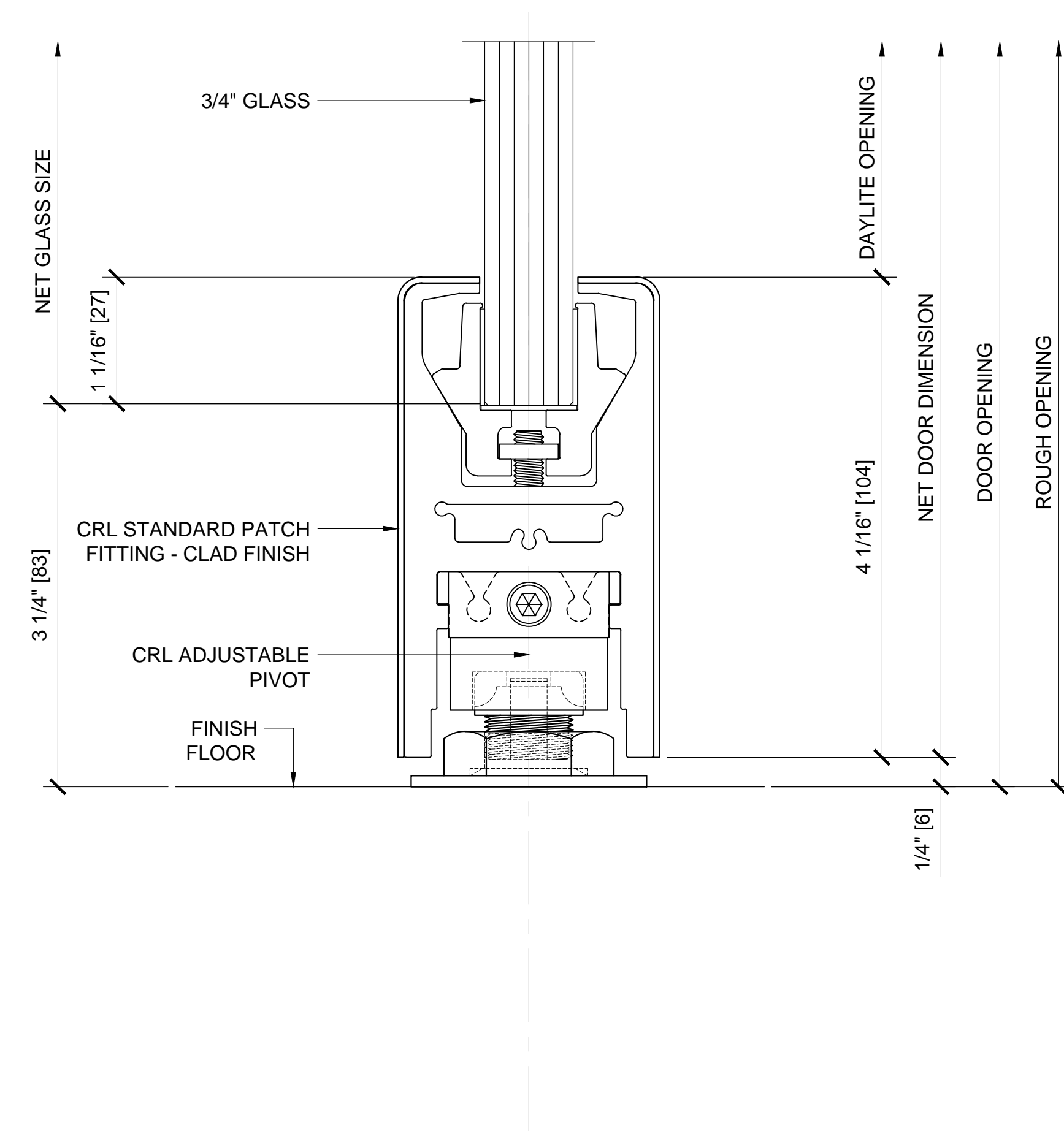
SECTION DETAIL @ HEAD

1.1



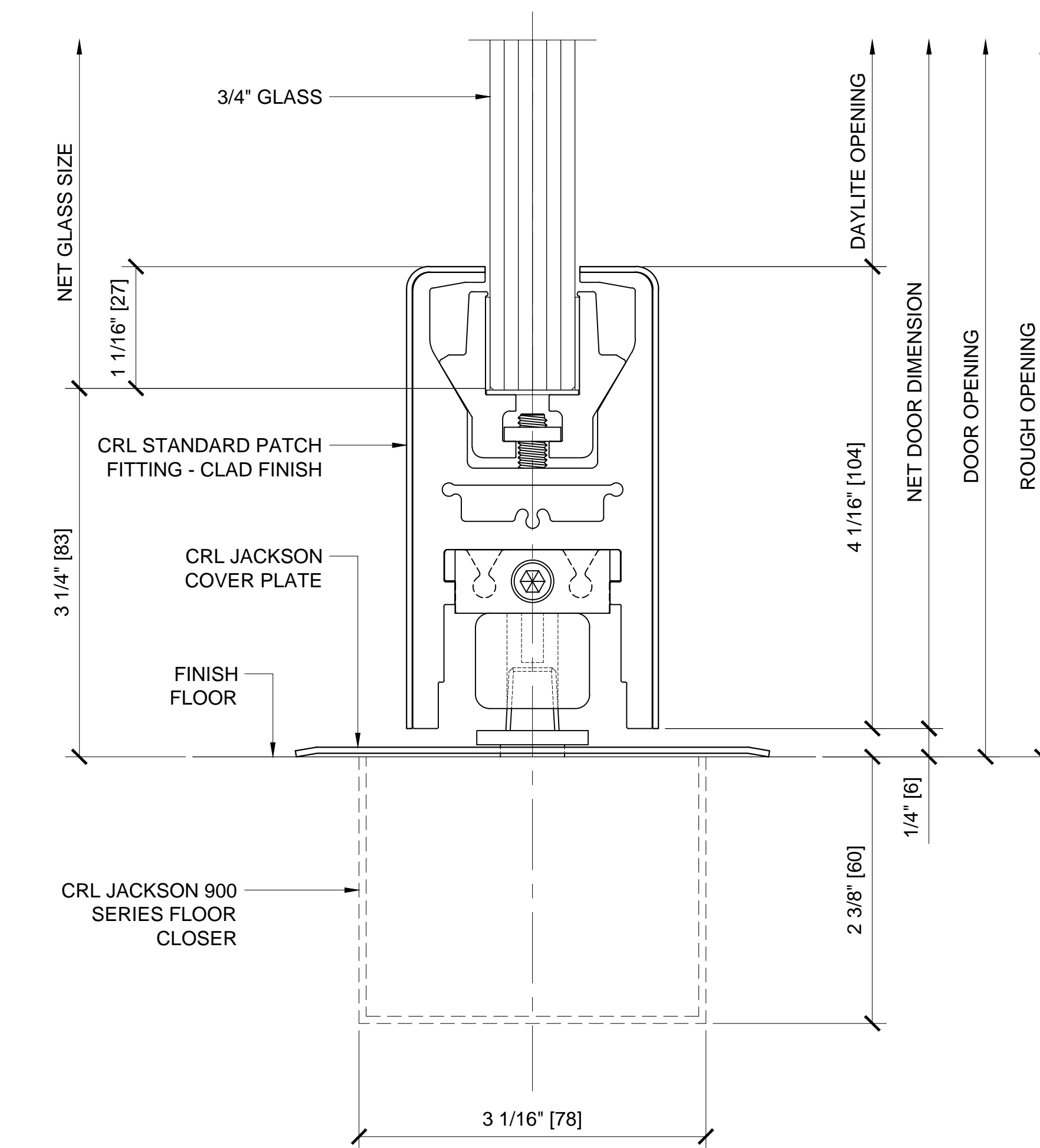
SECTION DETAIL @ HEAD

1.3



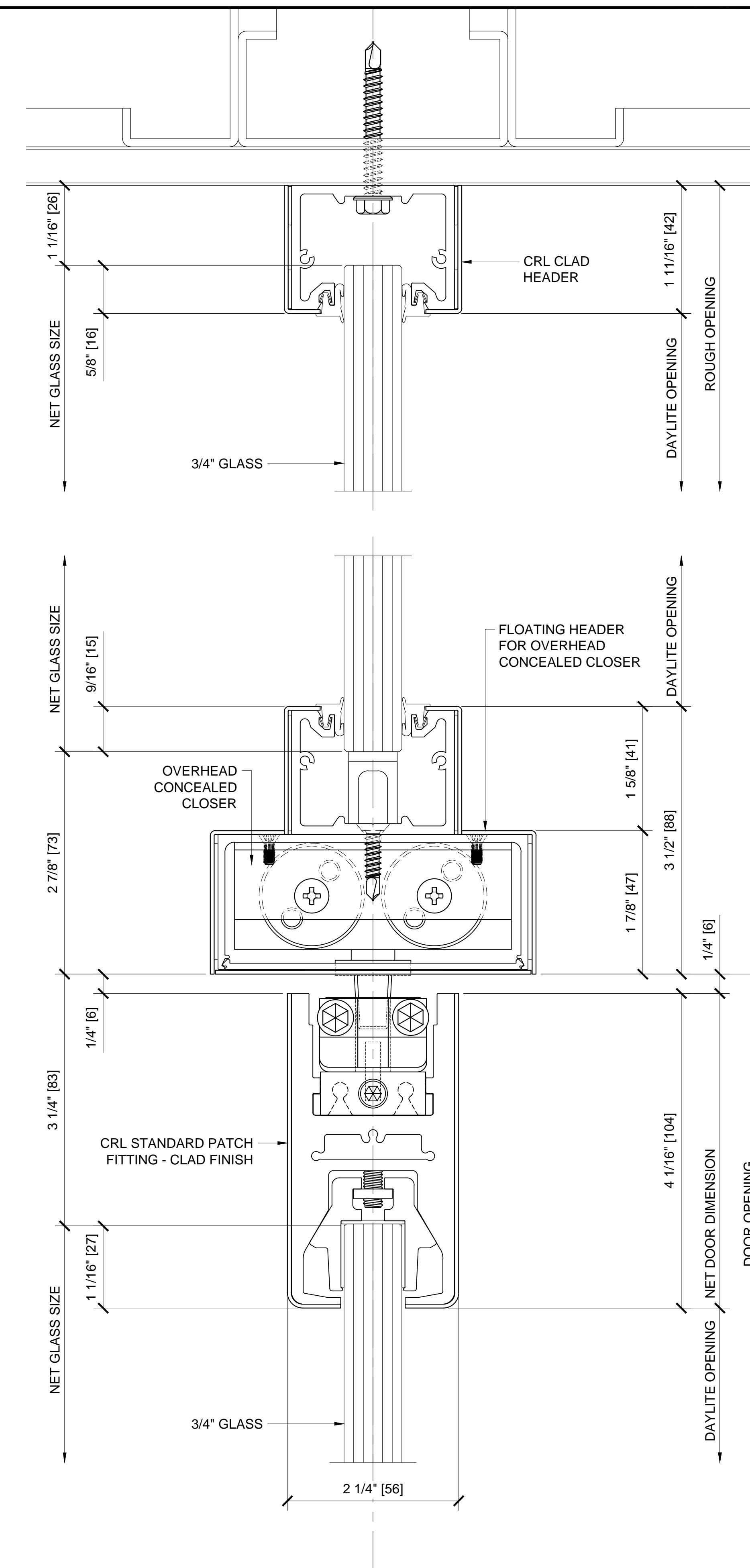
SECTION DETAIL @ SILL

1.2



SECTION DETAIL @ SILL

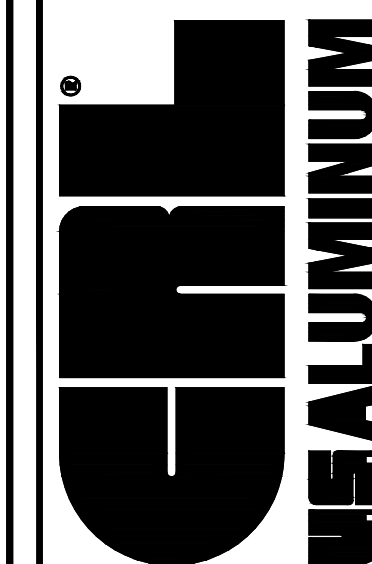
1.4



SECTION DETAIL @ TRANSOM

1.5

Revisions By:



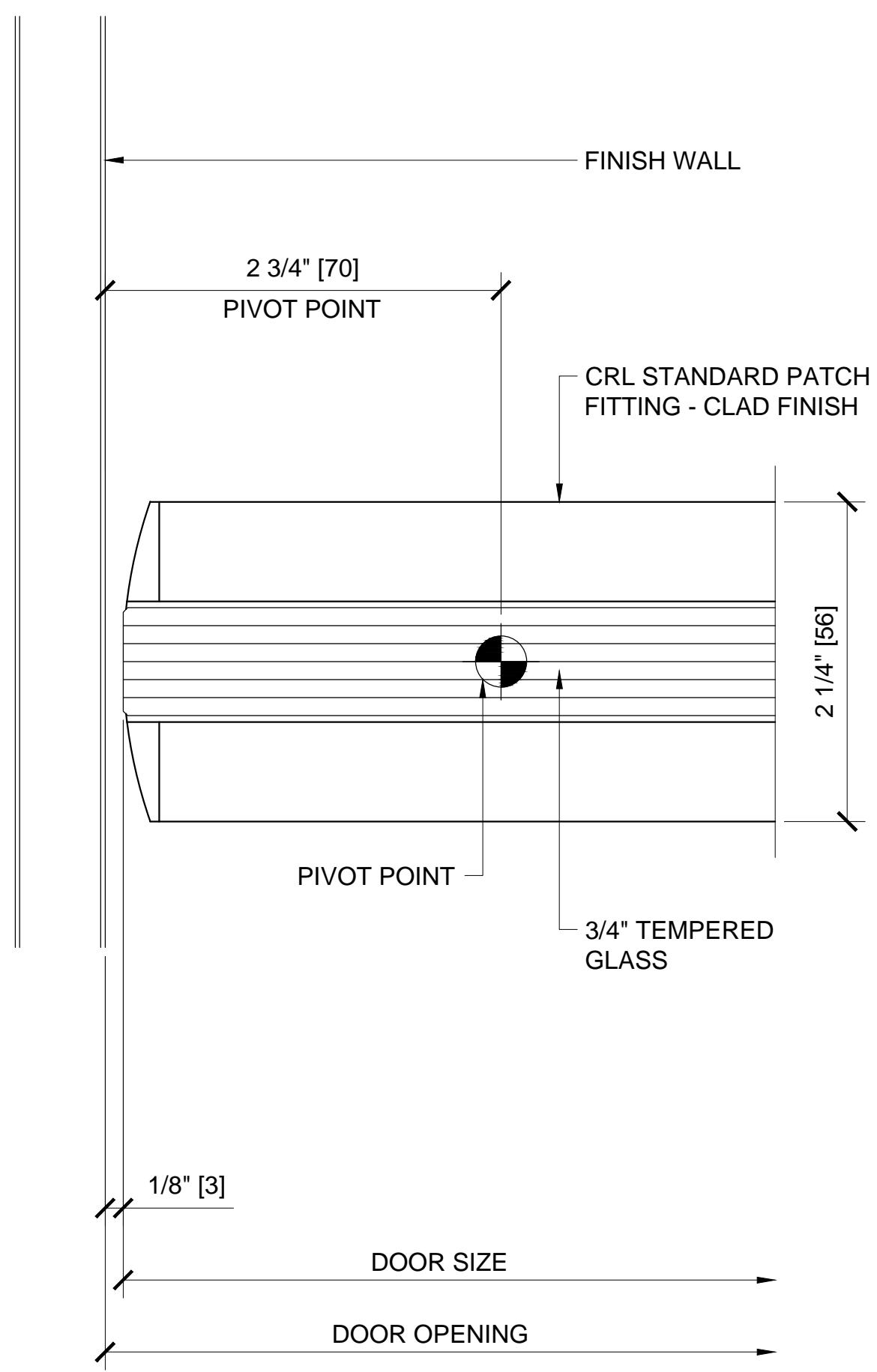
C.R. LAURENCE CO. ARCHITECTURAL PRODUCTS  
2503 E. Vernon Avenue, Los Angeles, CA 90058-1897  
PH (800)-421-6144 FX (800)-987-7501 www.crlus.com

Description:  
CRL COMMERCIAL PATCH  
HARDWARE AND SIDELITES  
WEDGE LOCK STYLE  
FOR 5/8"-3/4" GLASS

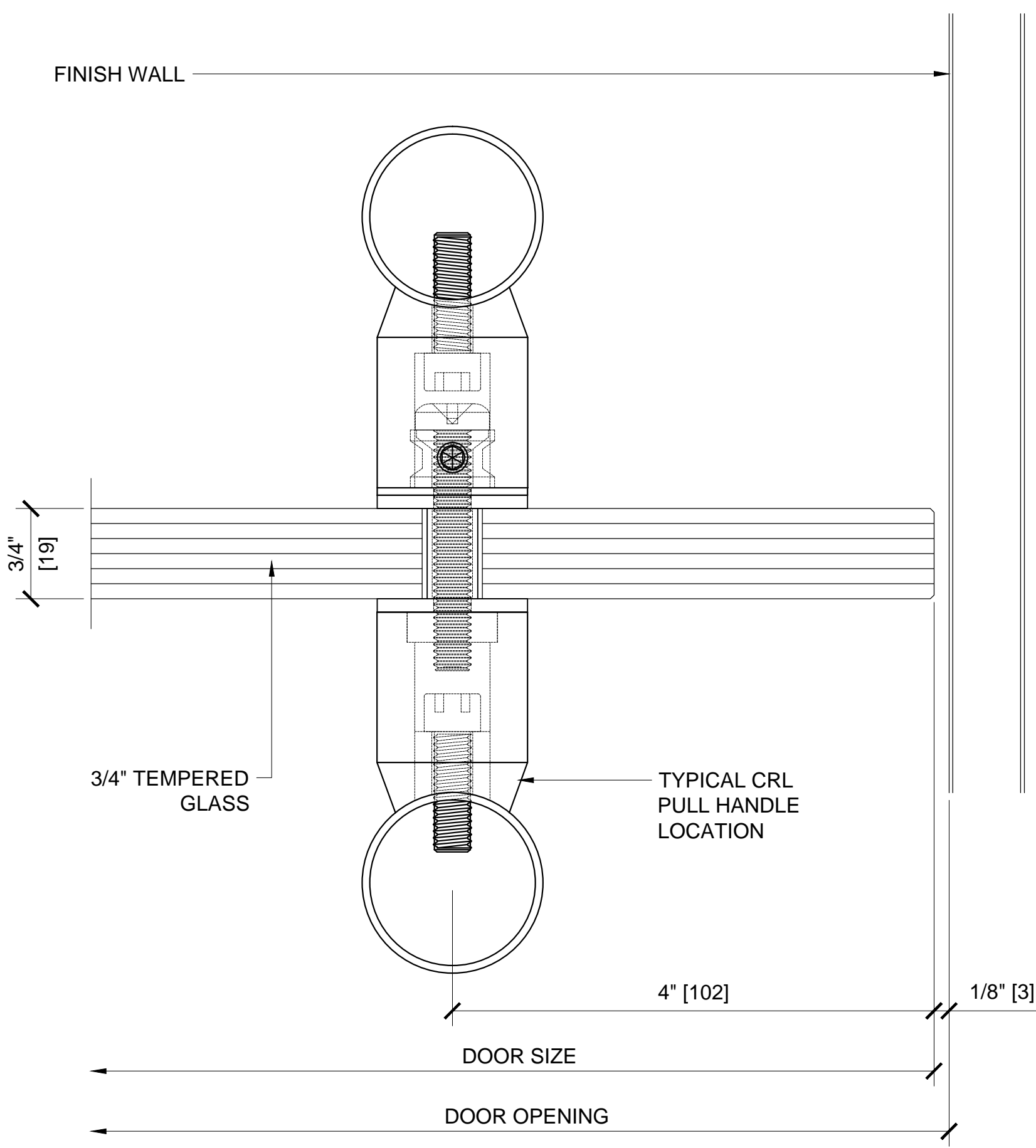
Drawn By: AAD  
Date: 1/3/14  
Scale: 1'-0" = 1'-0"  
File Name: PATCH FITTINGS-WL5834.dwg

Sheet

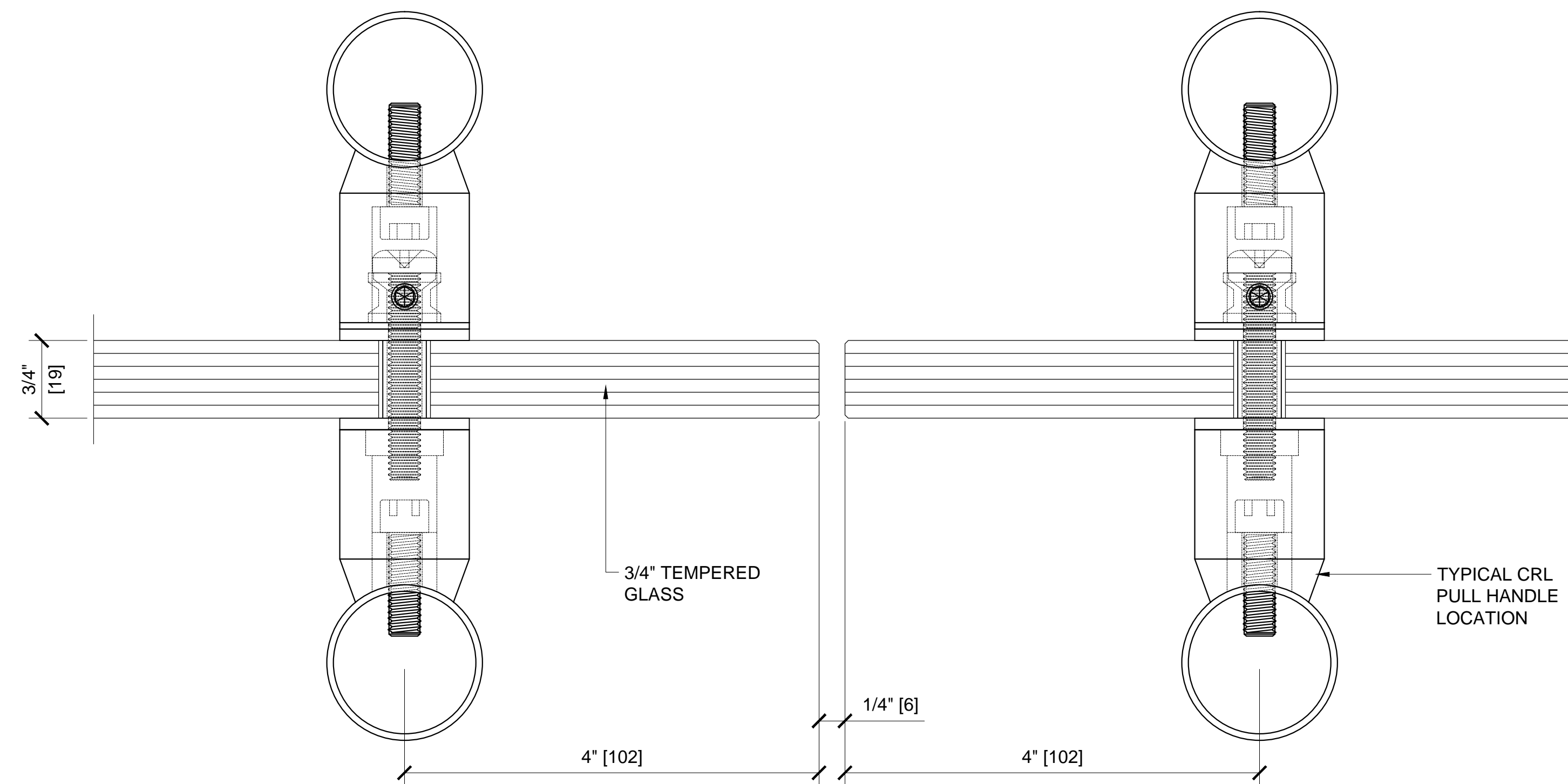
2



1.6



1.7

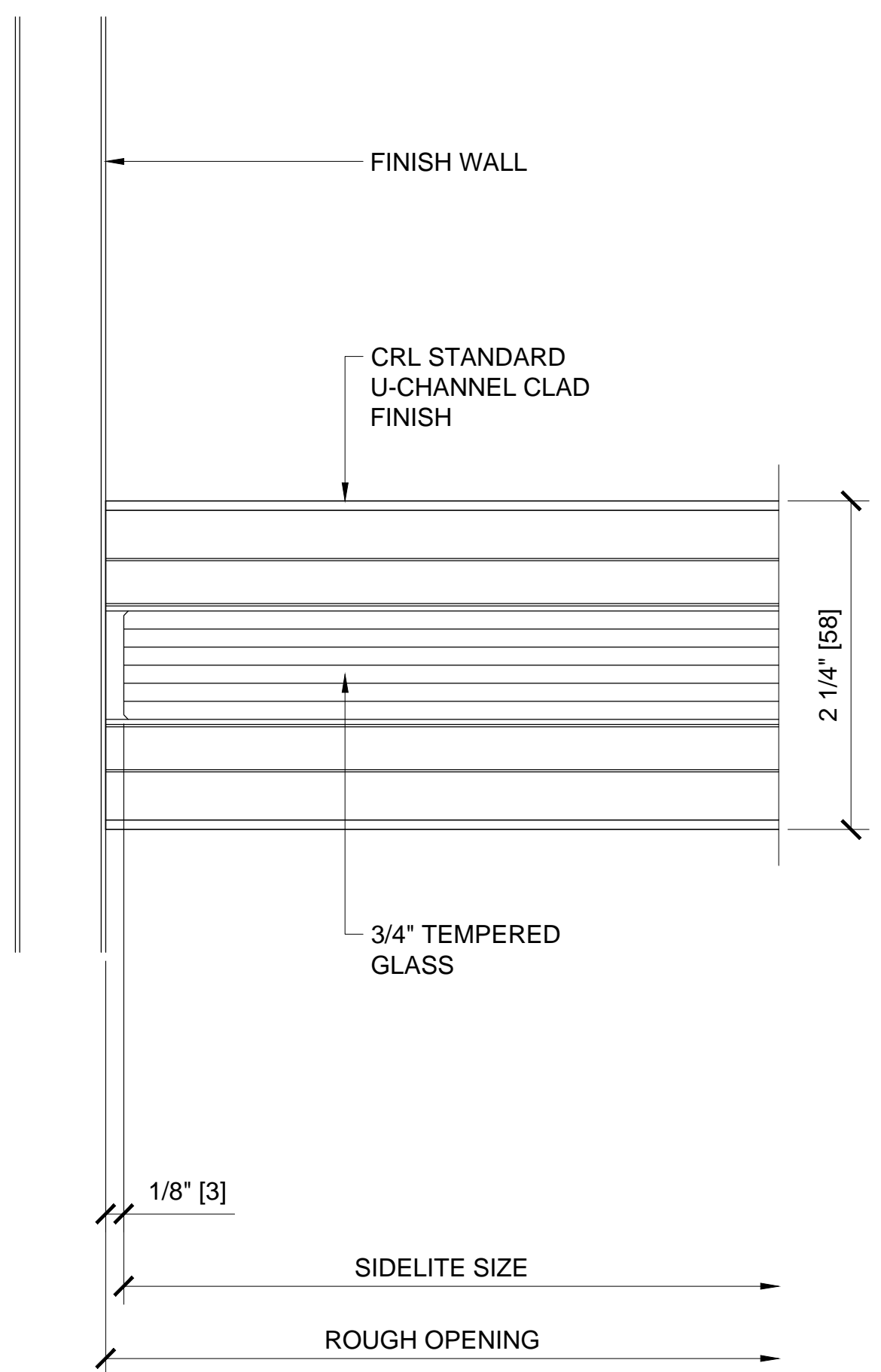


1.8

PLAN VIEW @ JAMB

PLAN VIEW @ JAMB

PLAN VIEW @ MEETING SECTION



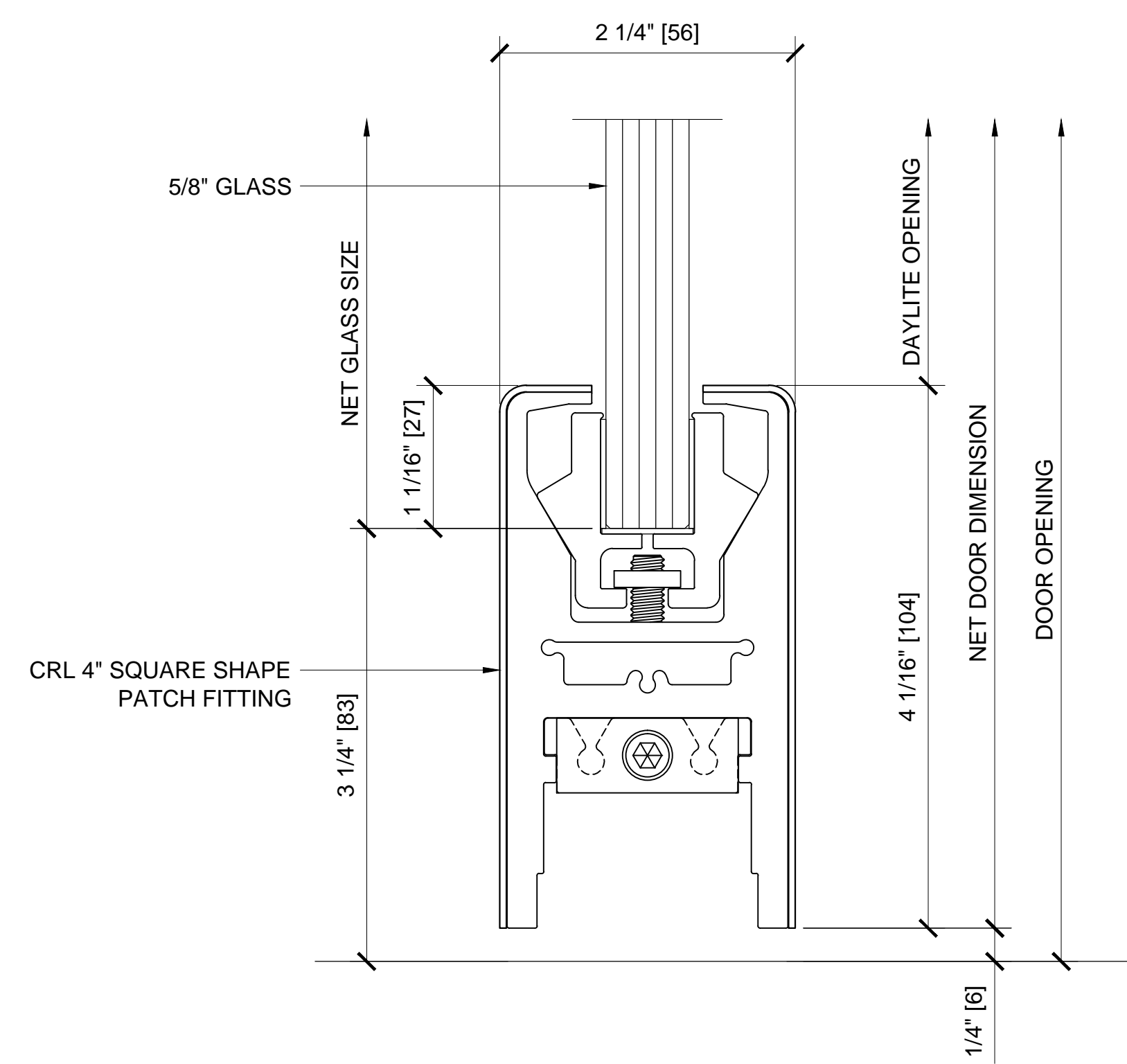
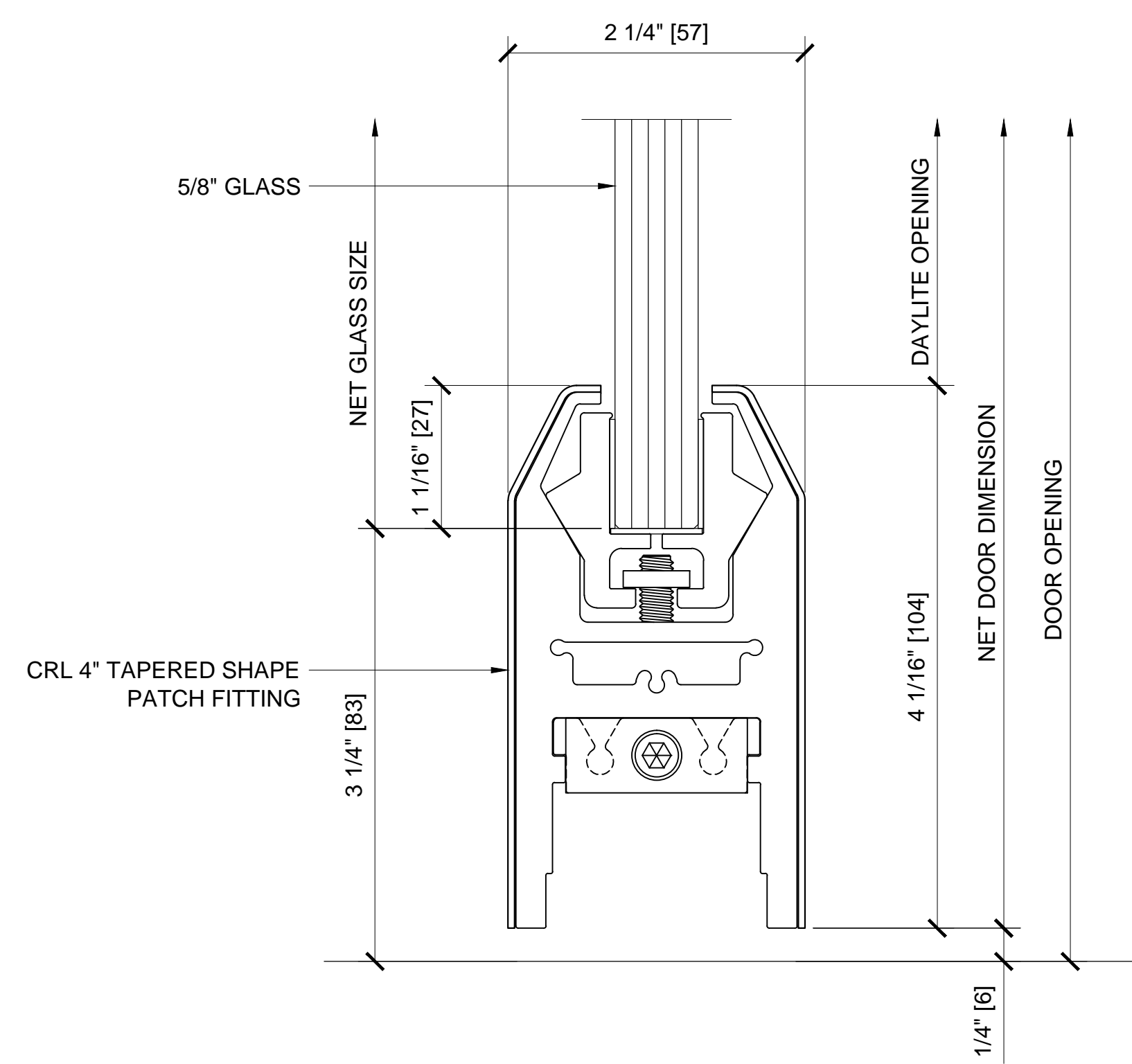
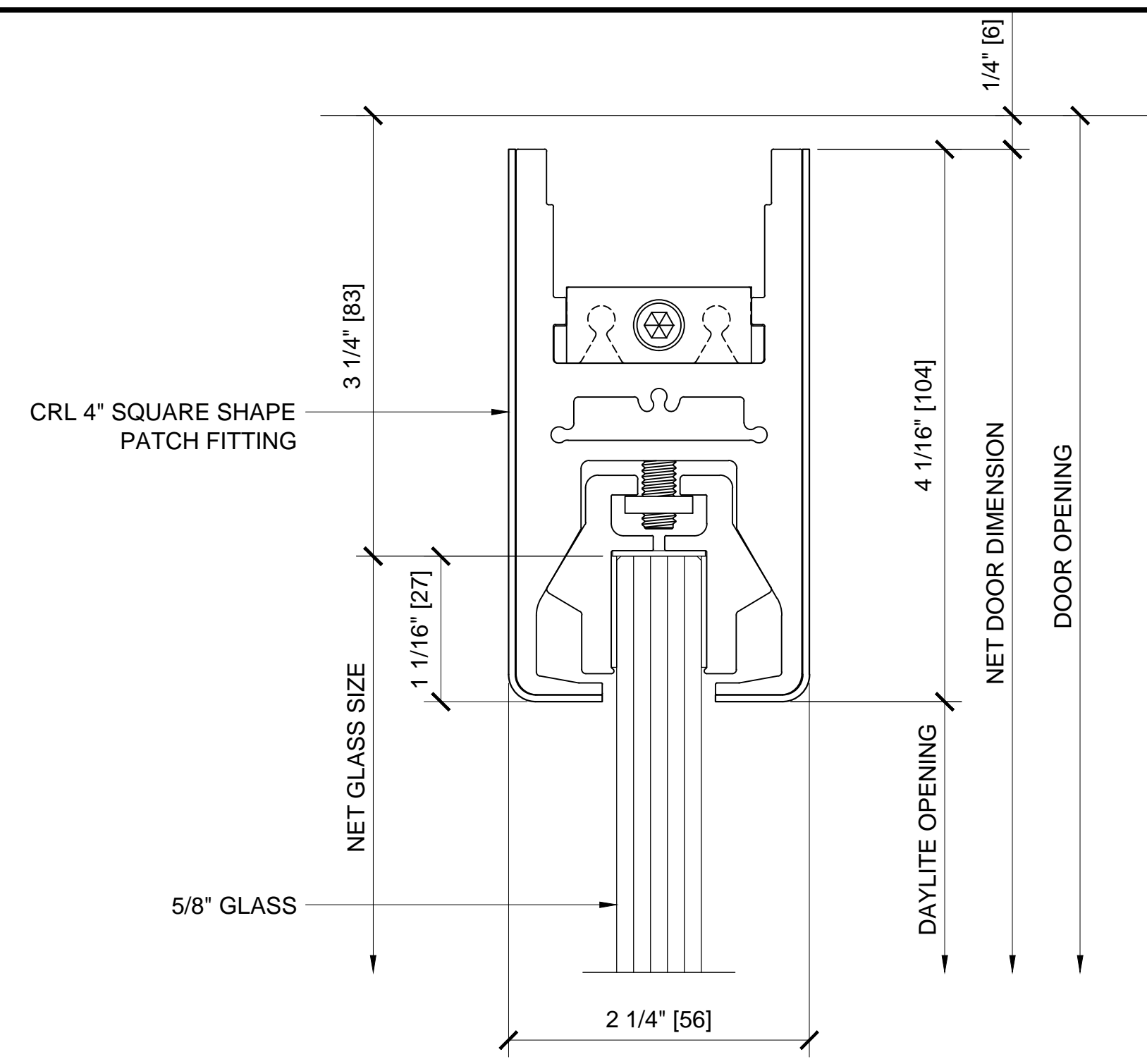
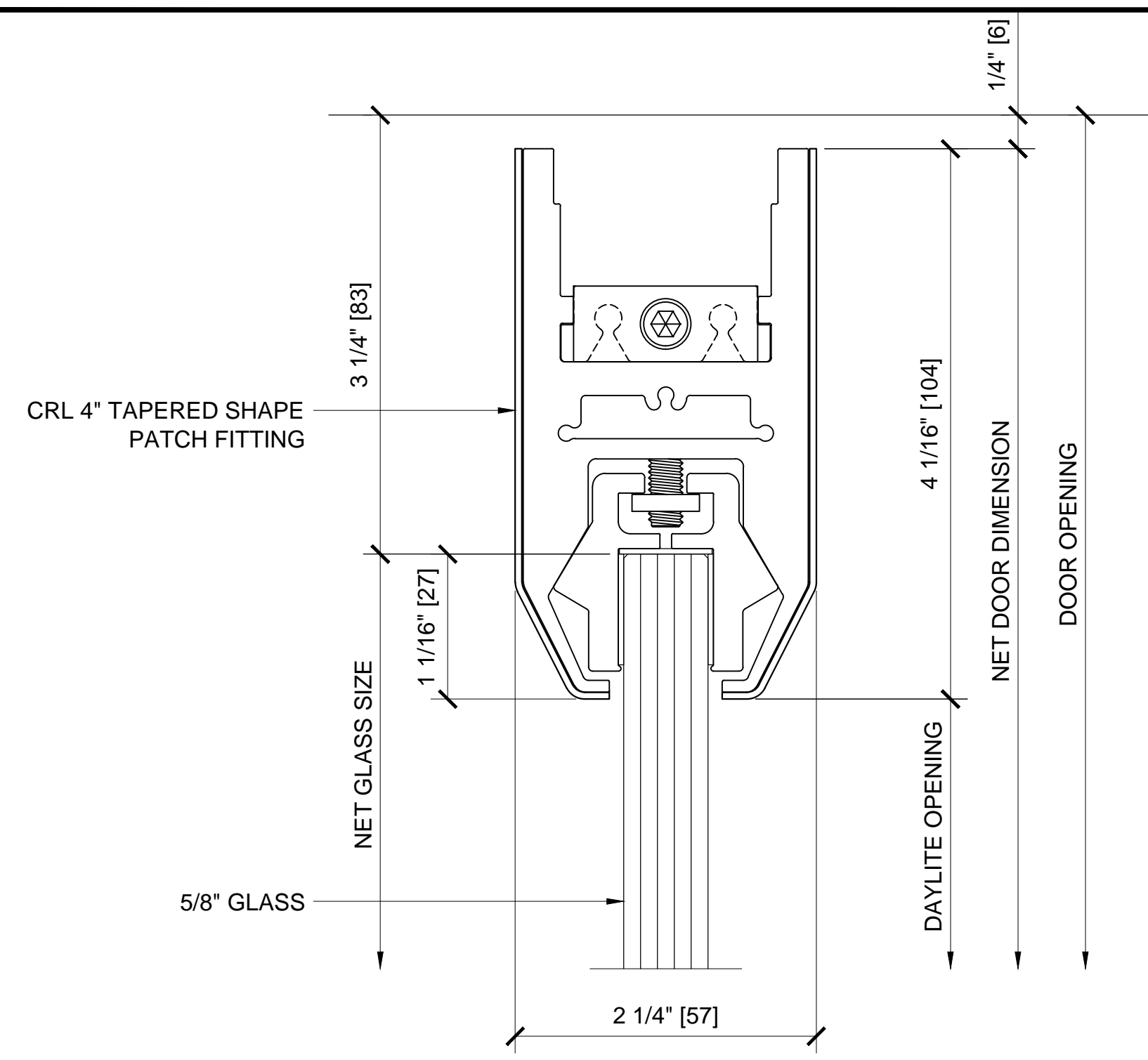
1.9

PLAN VIEW @ JAMB

Description:  
 CRL COMMERCIAL PATCH  
 HARDWARE AND SIDELITES  
 WEDGE LOCK STYLE  
 FOR 5/8"-3/4" GLASS

Drawn By: AAD  
 Date: 1/3/14  
 Scale: 1'-0" = 1'-0"  
 File Name:  
 PATCH FITTINGS-WL5834.dwg

Sheet



CRL DR4T38 4" TALL TAPERED DOOR RAIL

CRL DR4S38 4" TALL SQUARE DOOR RAIL

**STANDARD WEDGE-LOCK DOOR RAILS FOR 5/8" GLASS**

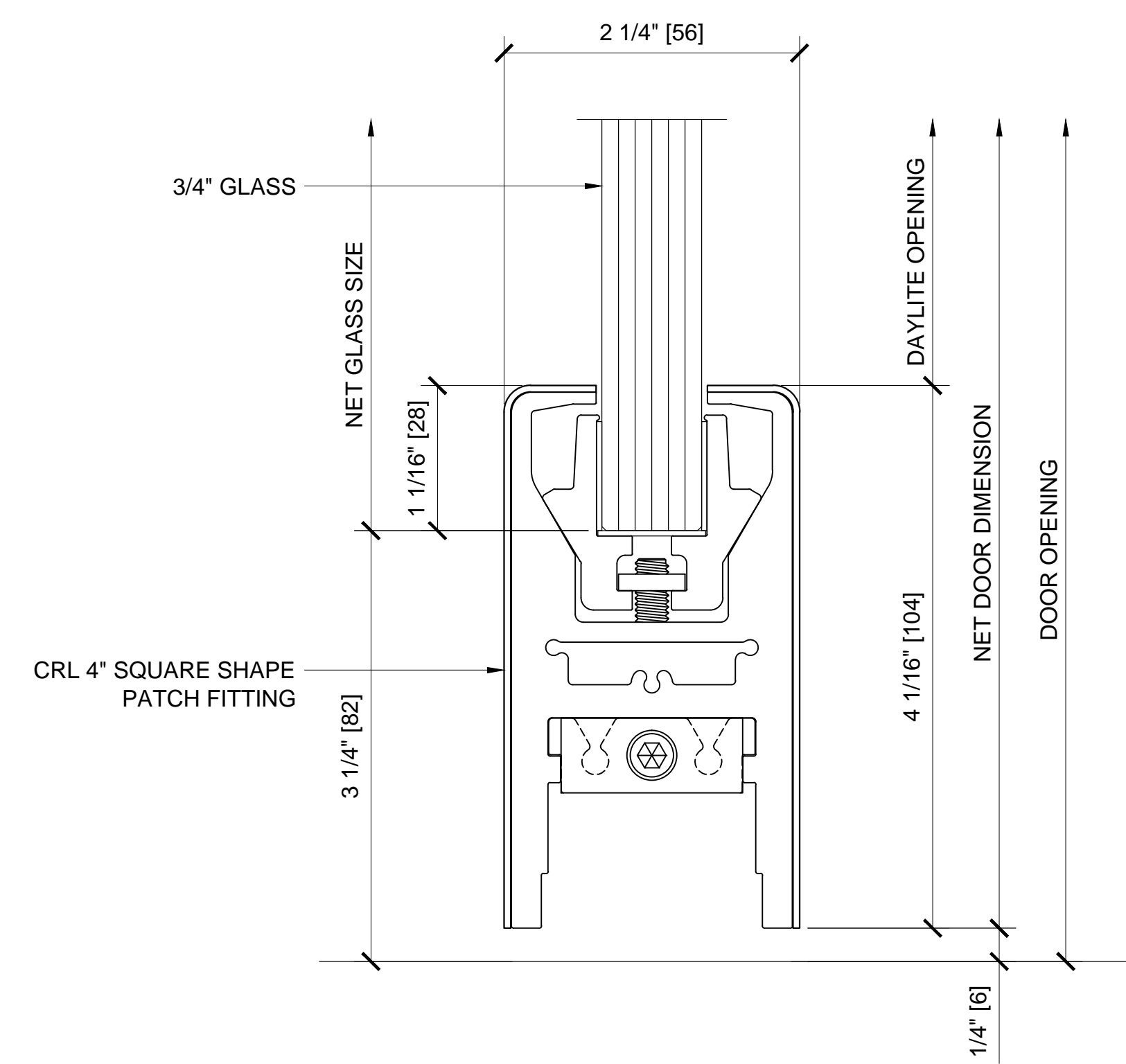
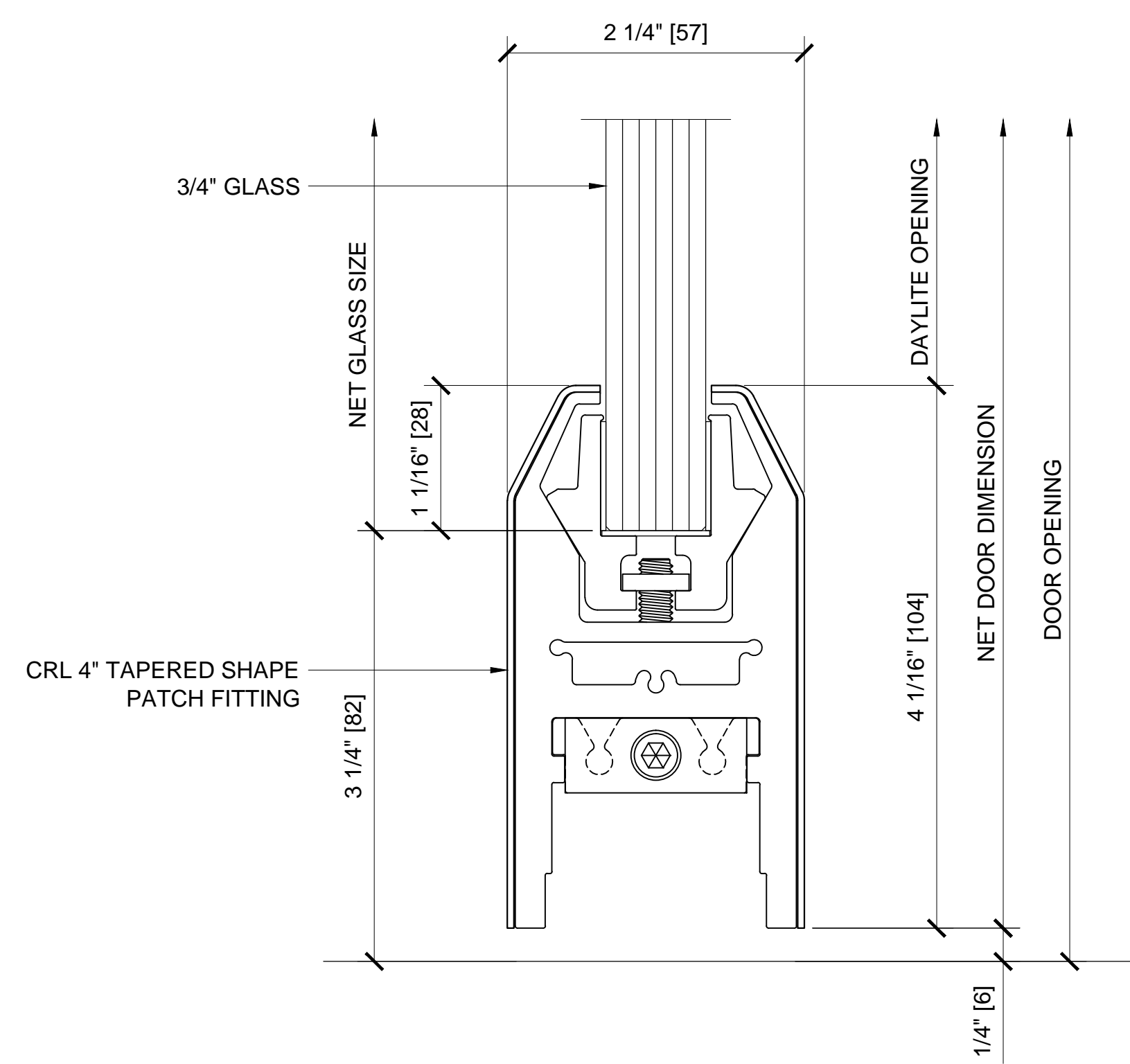
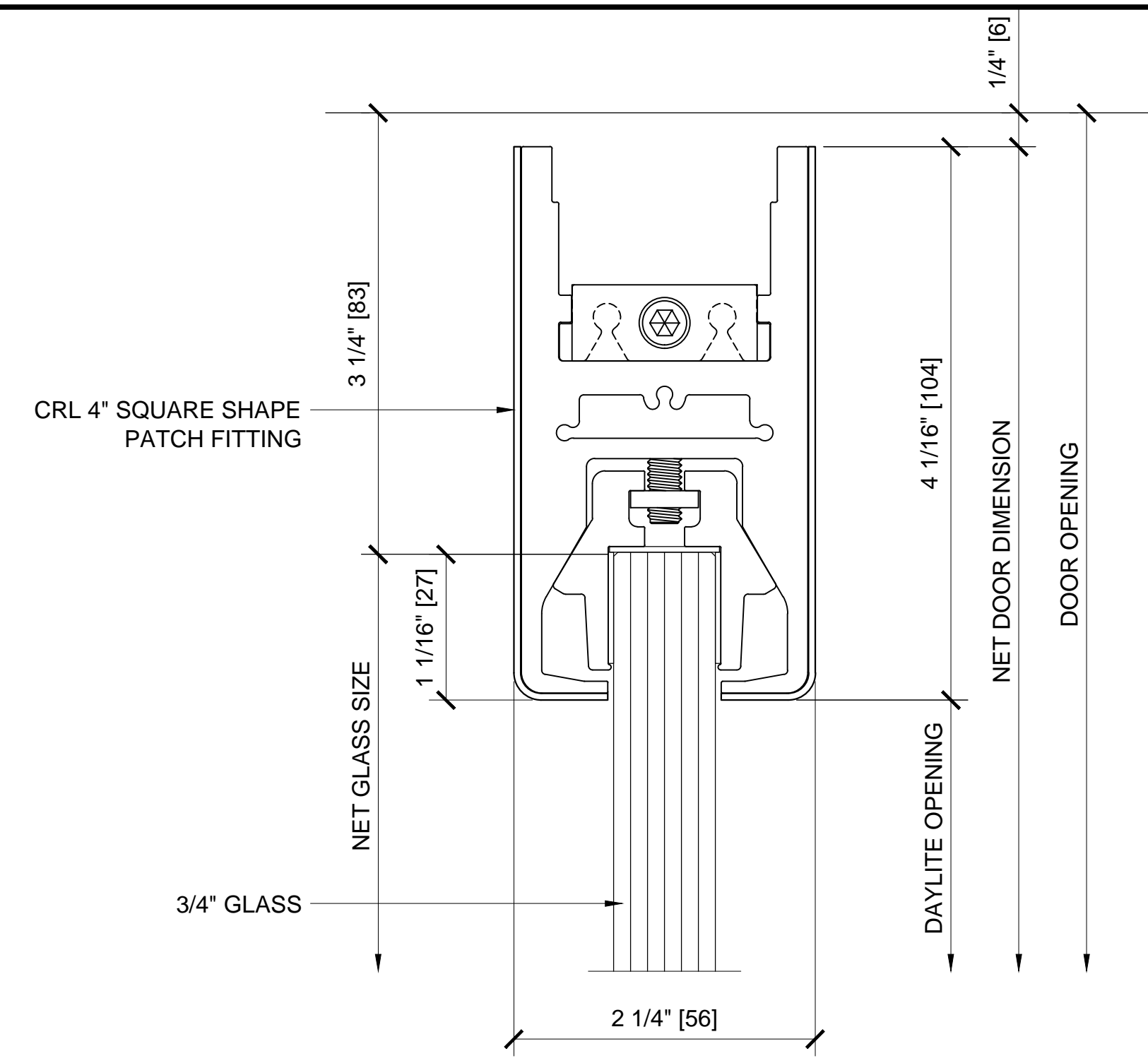
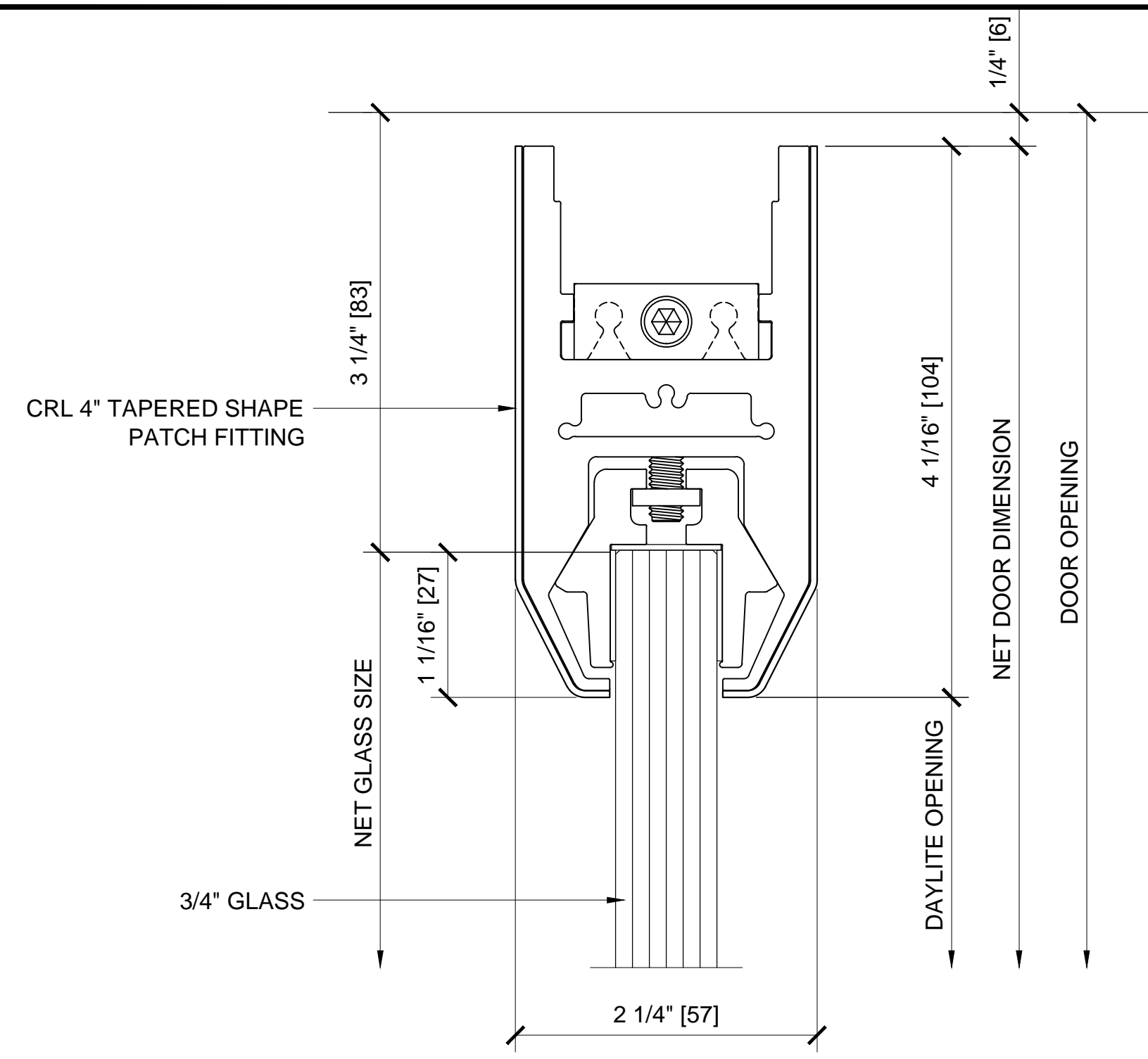
Revisions By:



Description:  
**CRL COMMERCIAL PATCH  
 HARDWARE AND SIDELITES  
 WEDGE LOCK STYLE  
 FOR 5/8"-3/4" GLASS**

Drawn By: AAD  
 Date: 1/3/14  
 Scale: 1'-0" = 1'-0"  
 File Name:  
 PATCH FITTINGS-WL5834.dwg

Sheet



CRL DR4T12 4" TALL TAPERED DOOR RAIL

CRL DR4S12 4" TALL SQUARE DOOR RAIL

STANDARD WEDGE-LOCK DOOR RAILS FOR 3/4" GLASS

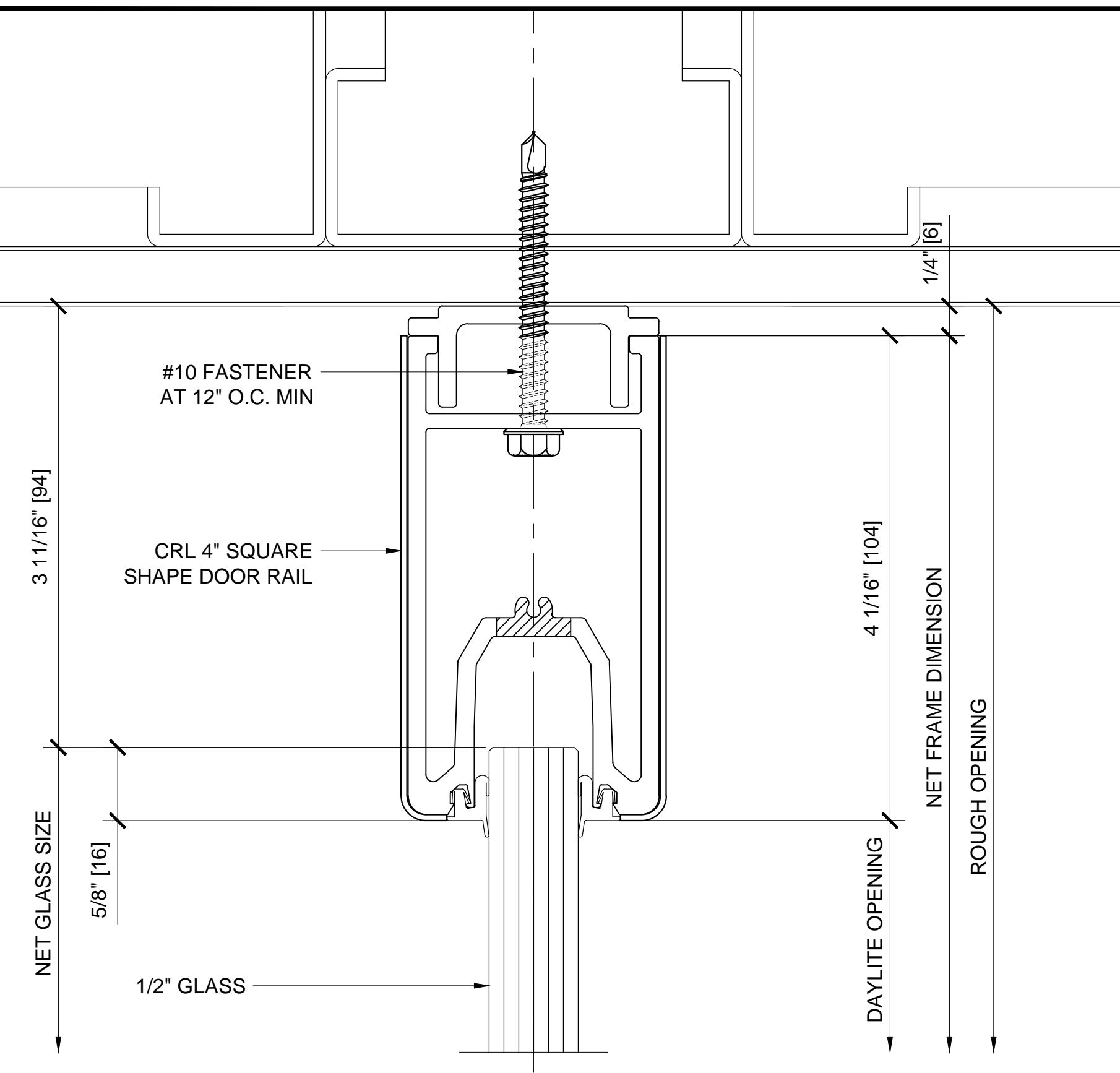
Revisions By:



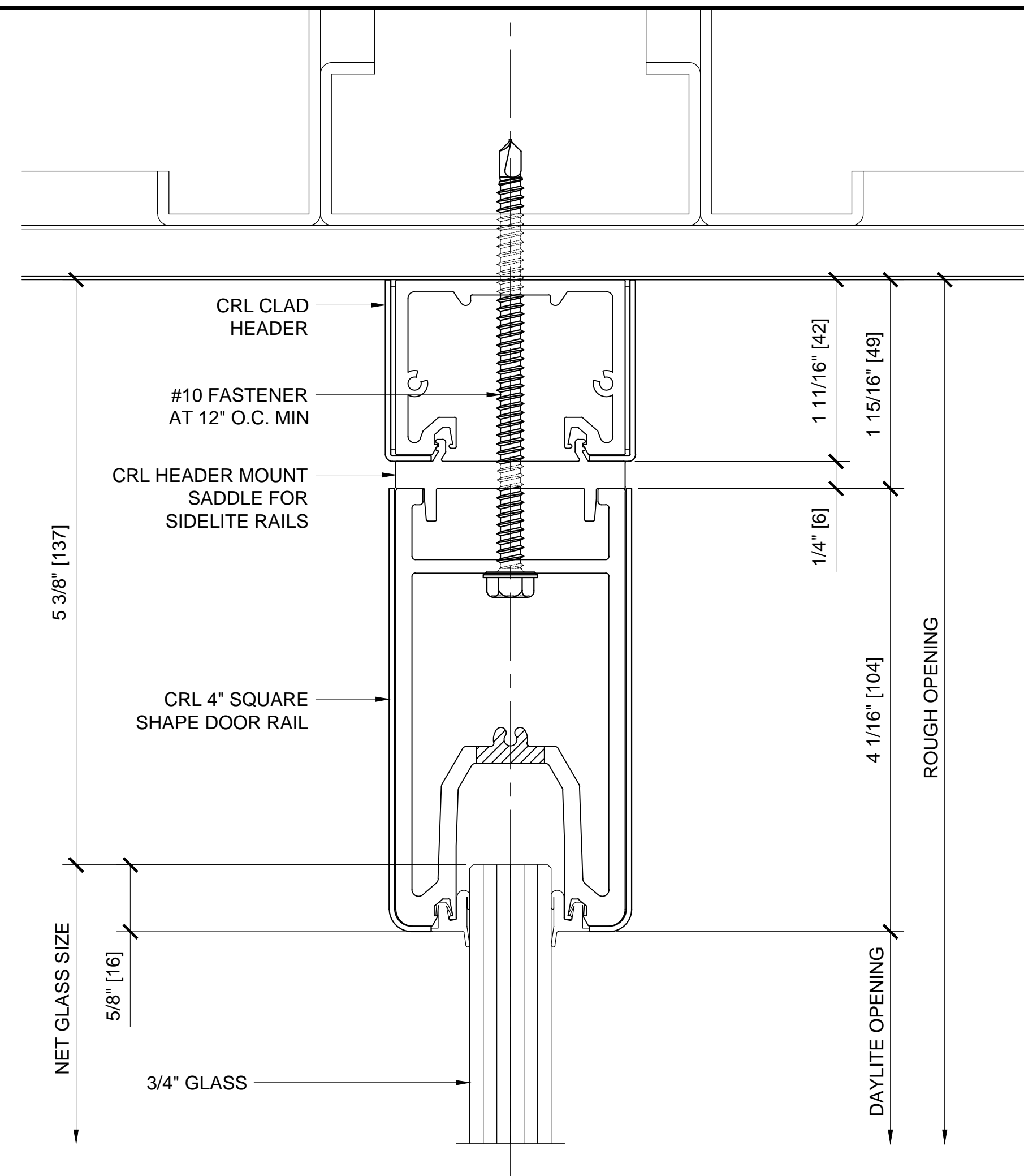
Description:  
CRL COMMERCIAL PATCH  
HARDWARE AND SIDELITES  
WEDGE LOCK STYLE  
FOR 5/8"-3/4" GLASS

Drawn By: AAD  
Date: 1/3/14  
Scale: 1'-0"=1'-0"  
File Name:  
PATCH FITTINGS-WL5834.dwg

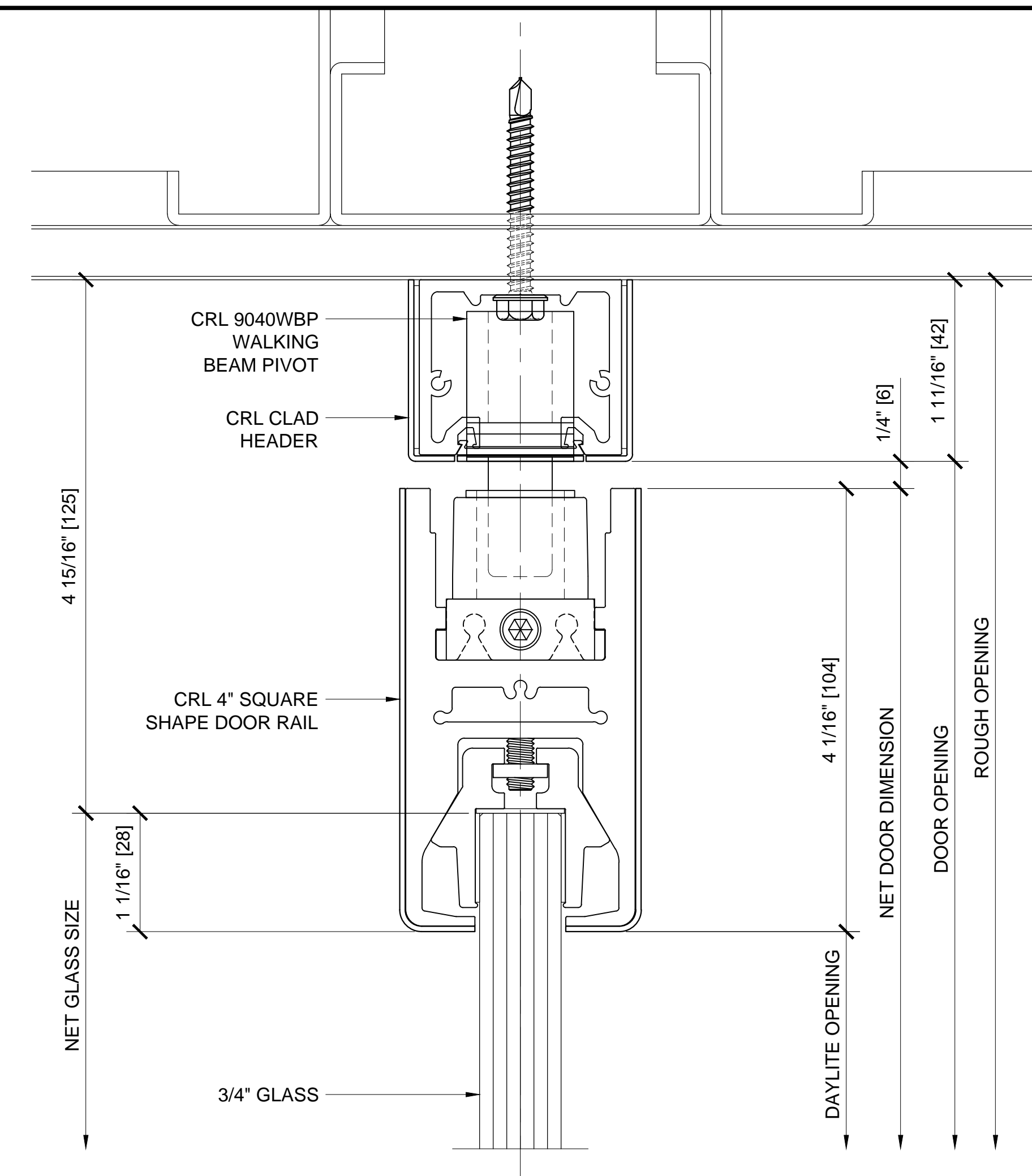
Sheet



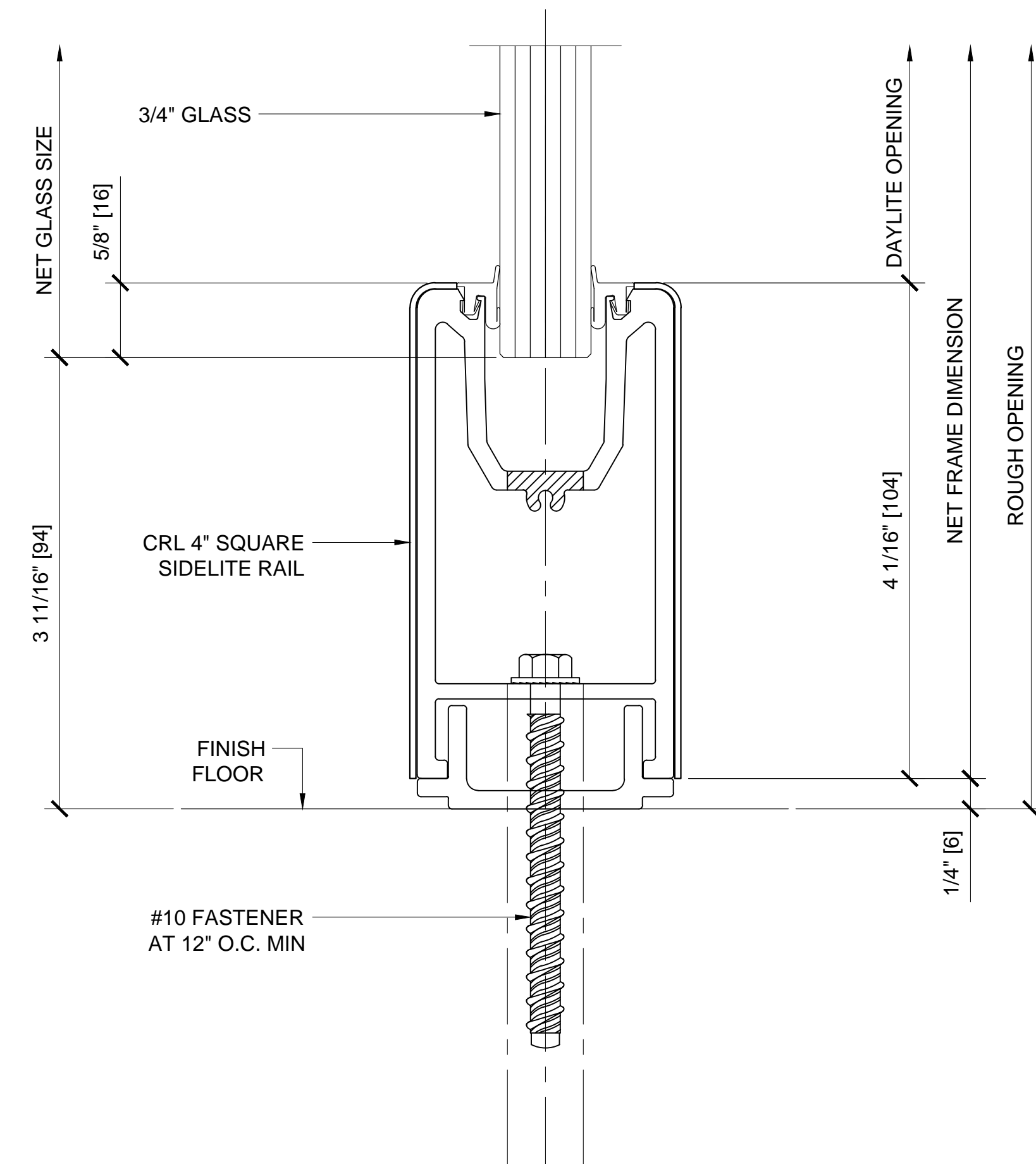
TYPICAL SECTION DETAIL @ HEAD (2.1)



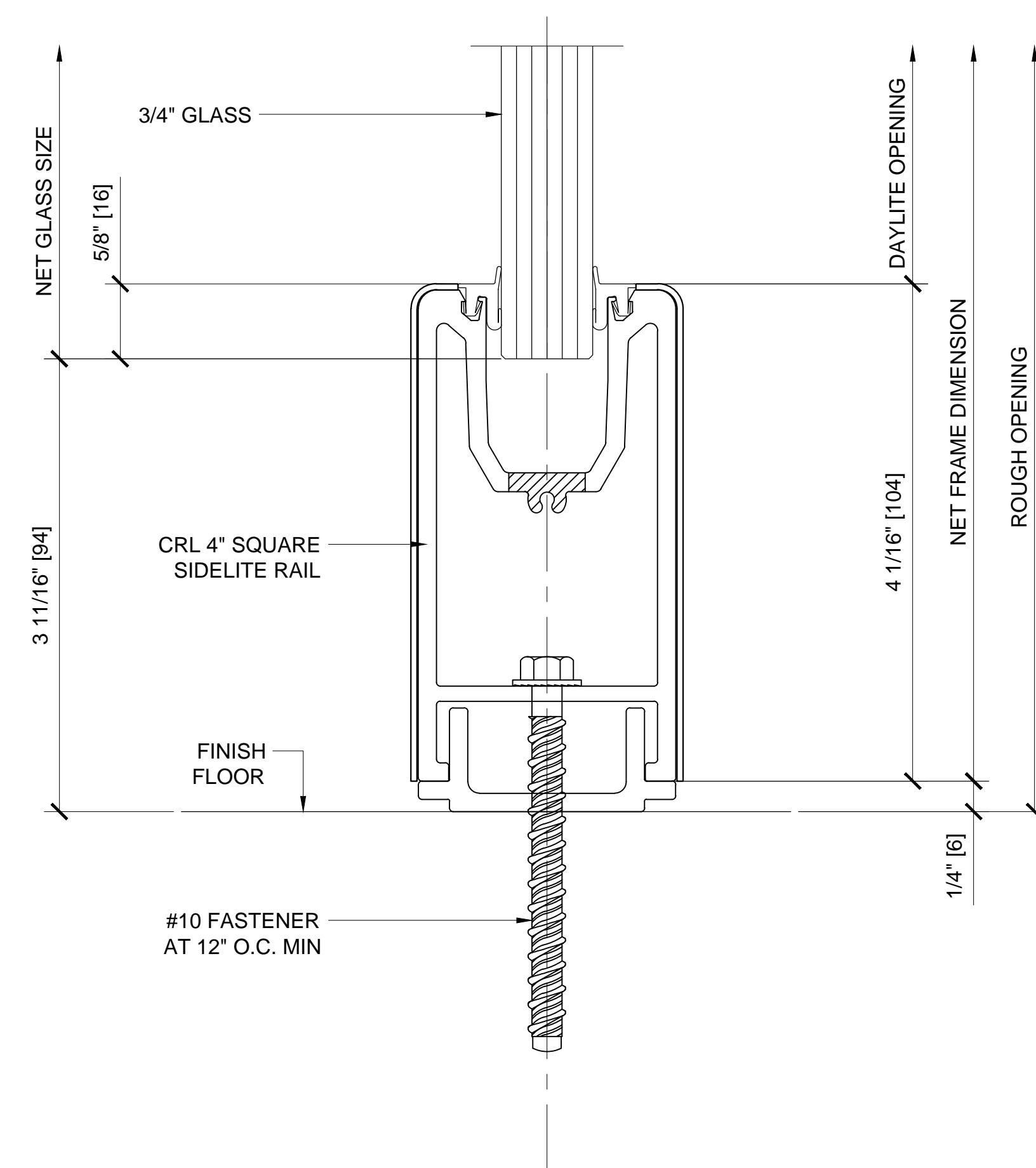
SECTION DETAIL @ HEAD (MATCHES DOOR) (2.3)



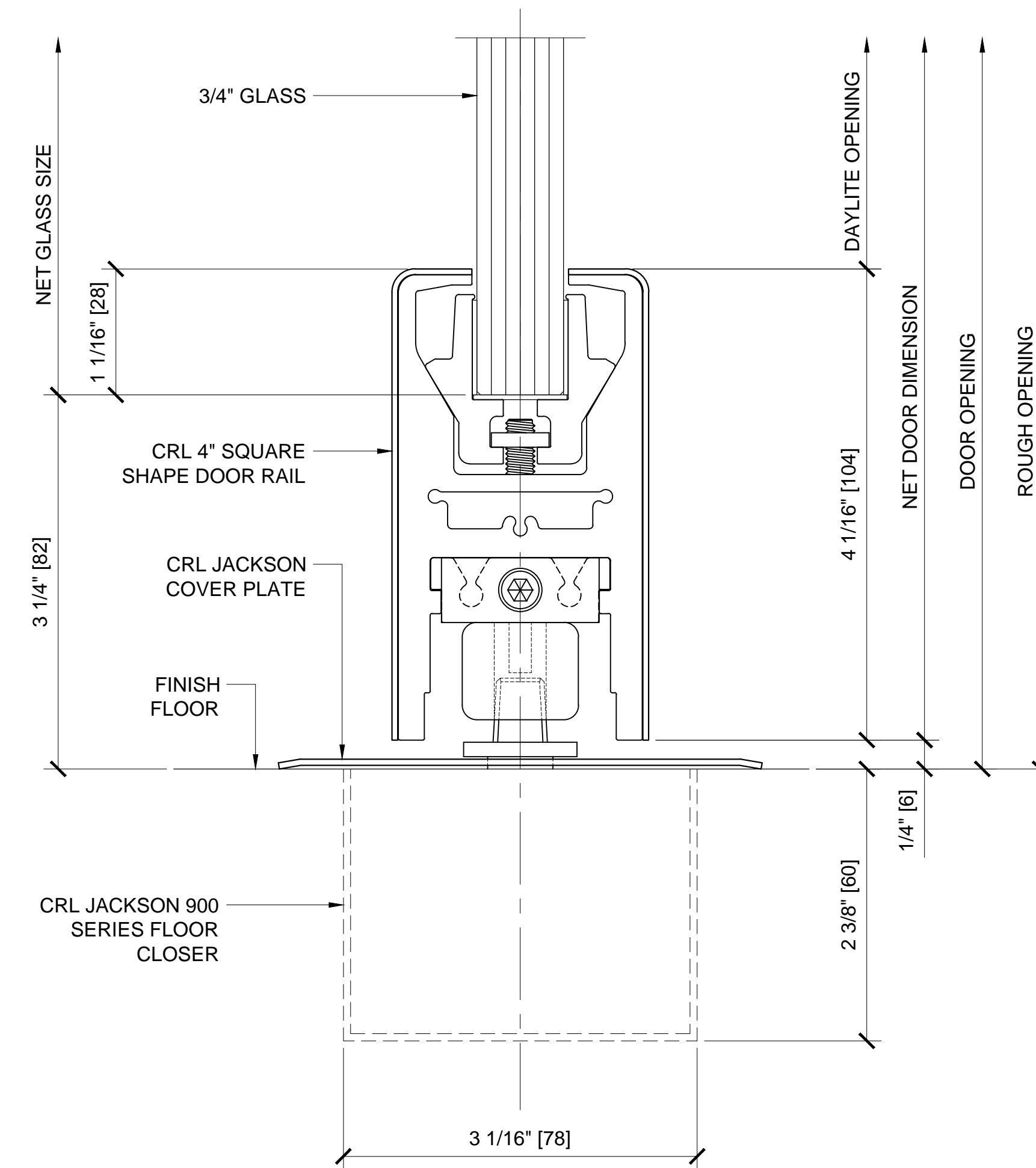
SECTION DETAIL @ DOOR HEAD (2.5)



TYPICAL SECTION DETAIL @ SILL (2.2)



SECTION DETAIL @ SILL (MATCHES DOOR) (2.4)



SECTION DETAIL @ DOOR SILL (2.6)

Revisions By:



C.R. LAURENCE CO. ARCHITECTURAL PRODUCTS  
2503 E. Vernon Avenue, Los Angeles, CA 90058-1897  
PH (800)-421-6144 FX (800)-987-7501 www.crlusa.com

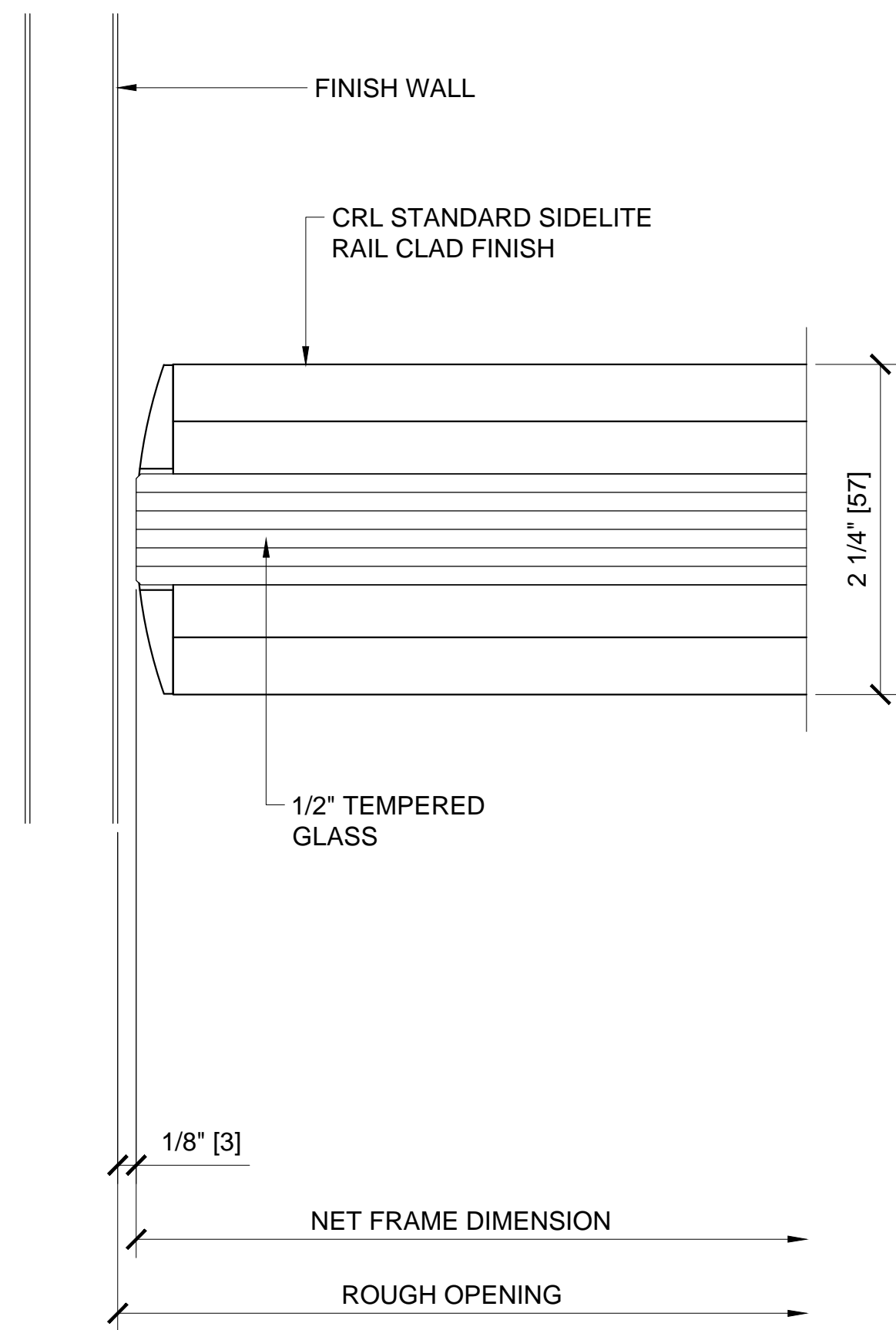
Description:  
CRL COMMERCIAL PATCH  
HARDWARE AND SIDELITES  
WEDGE LOCK STYLE  
FOR 5/8"-3/4" GLASS

Drawn By: AAD  
Date: 1/3/14  
Scale: 1'-0" = 1'-0"  
File Name: PATCH FITTINGS-WL5834.dwg

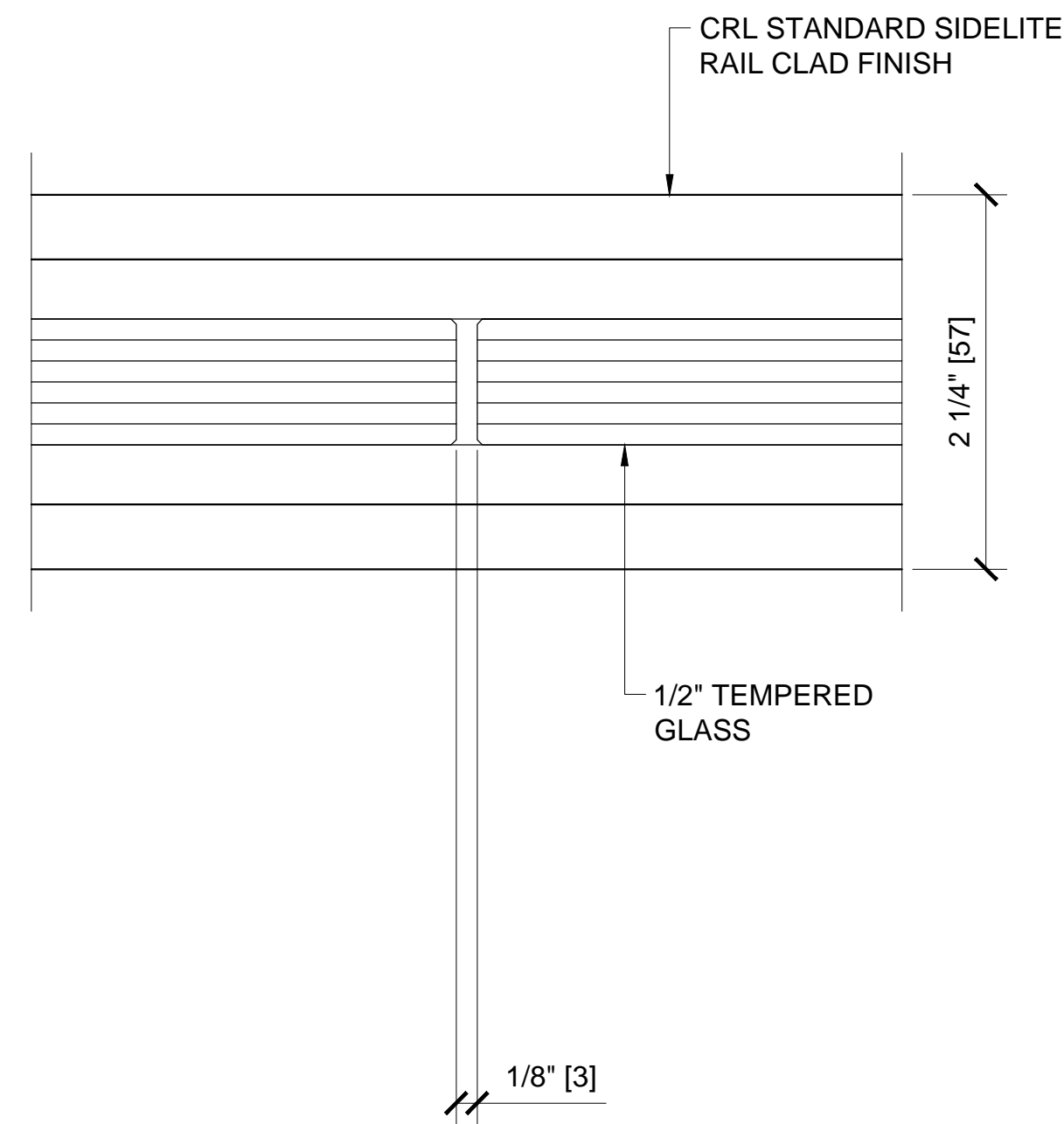
Sheet

6

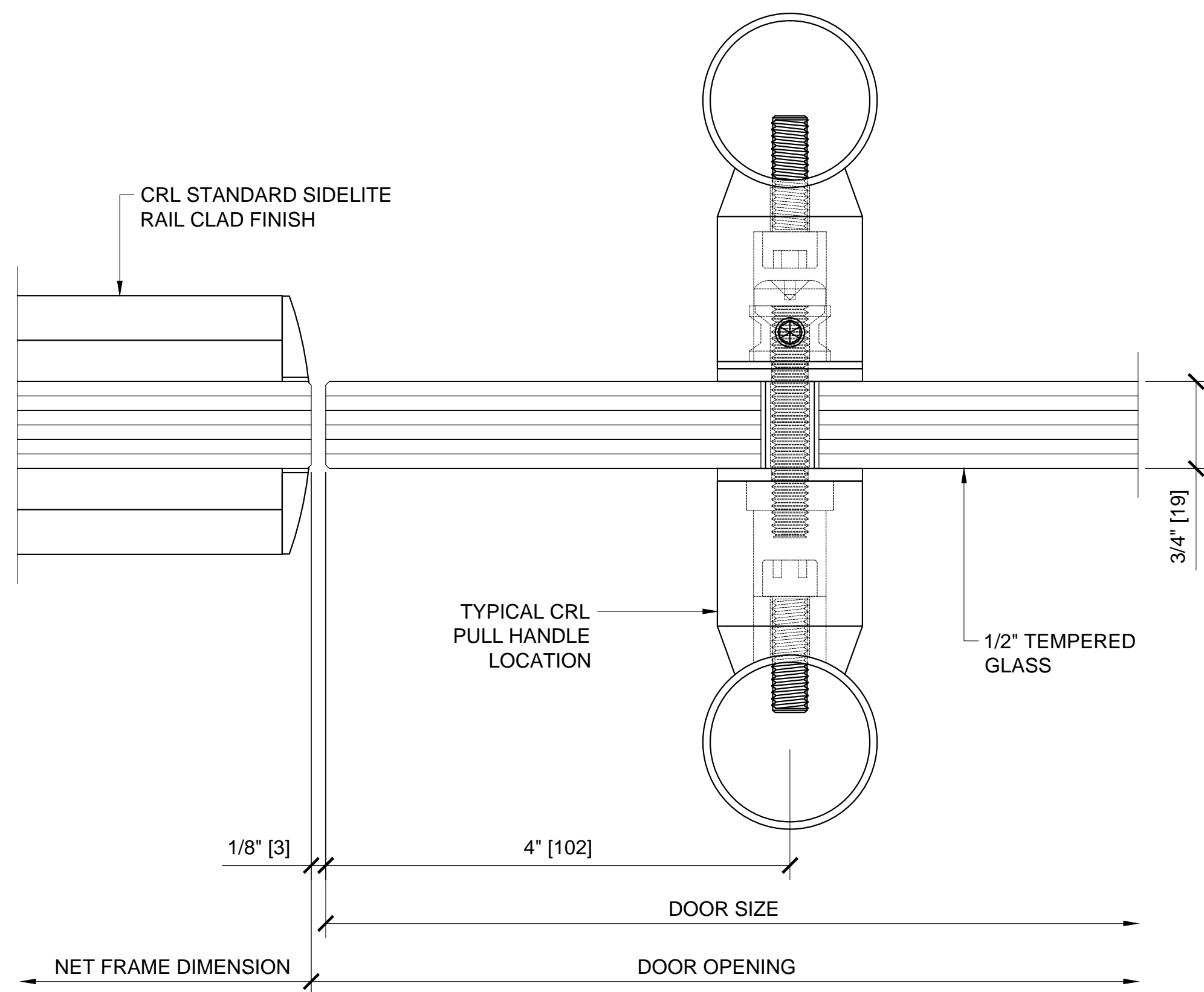
Revisions By:



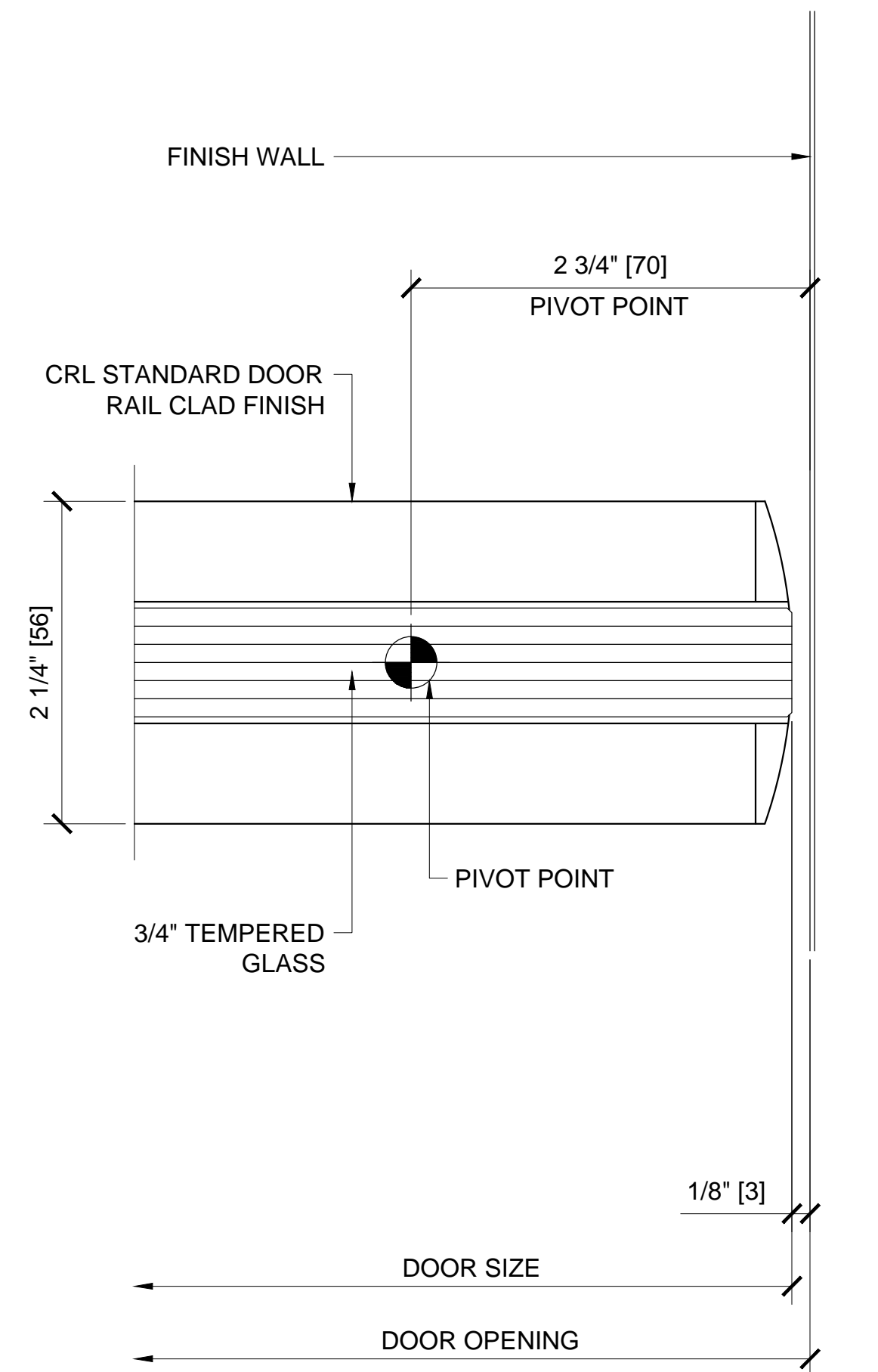
PLAN VIEW @ SIDELITE JAMB (2.7)



PLAN VIEW @ SIDELITE JOINT (2.8)



PLAN VIEW @ SIDELITE /DOOR JAMB (2.9)

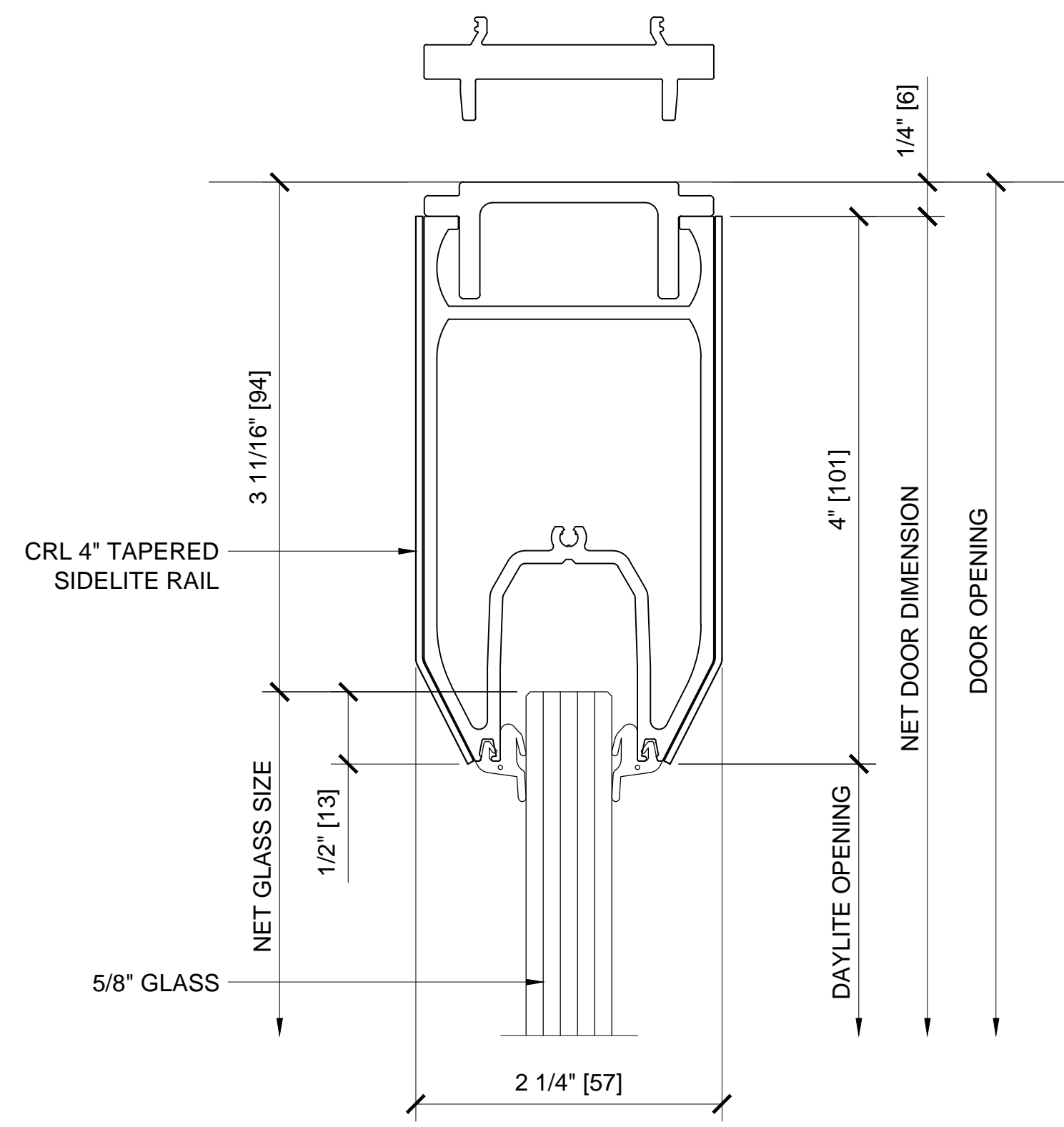


PLAN VIEW @ DOOR JAMB (2.10)

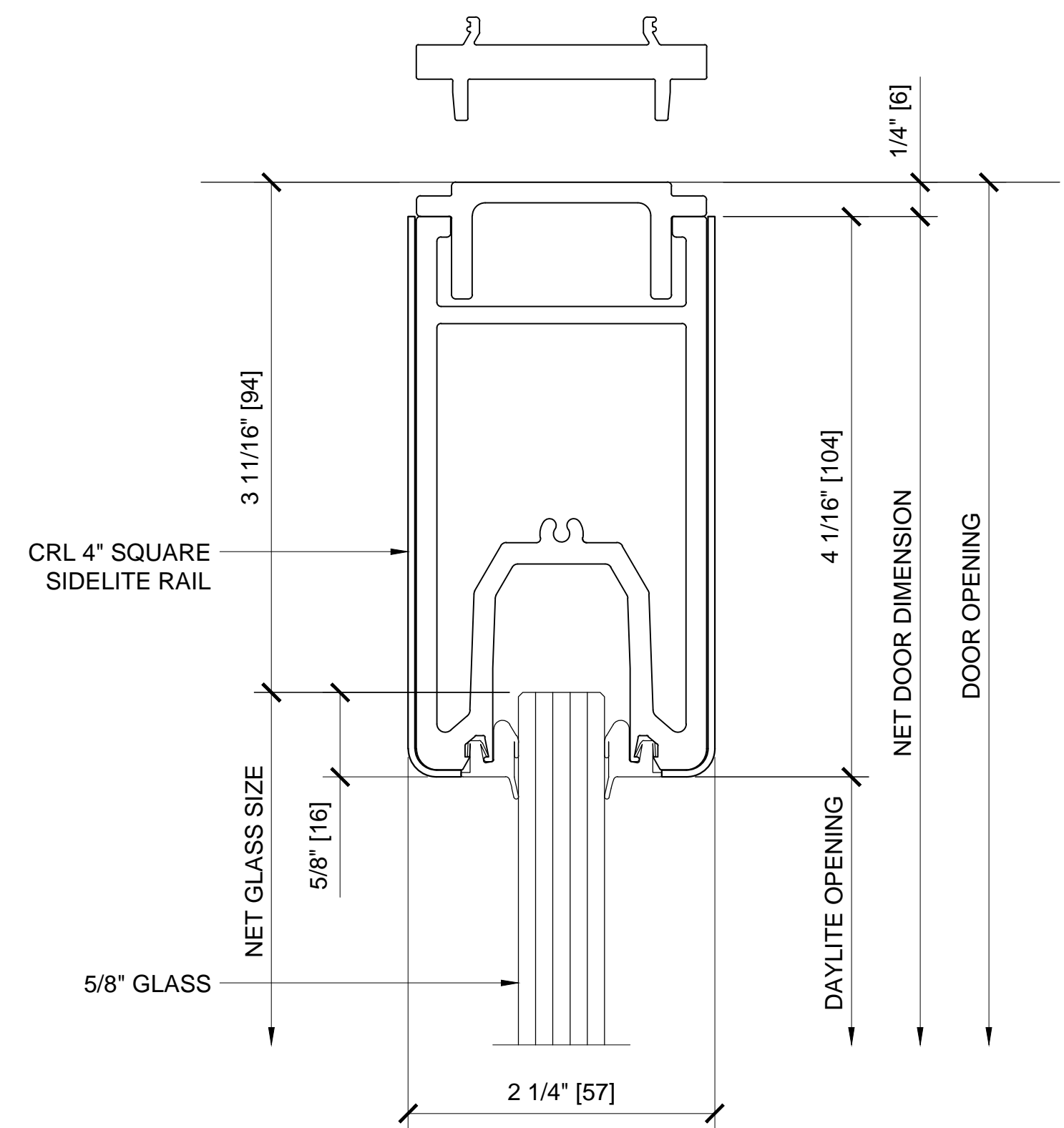
Description:  
 CRL COMMERCIAL PATCH  
 HARDWARE AND SIDELITES  
 WEDGE LOCK STYLE  
 FOR 5/8"-3/4" GLASS

Drawn By: AAD  
 Date: 1/3/14  
 Scale: 1'-0" = 1'-0"  
 File Name:  
 PATCH FITTINGS-WL5834.dwg

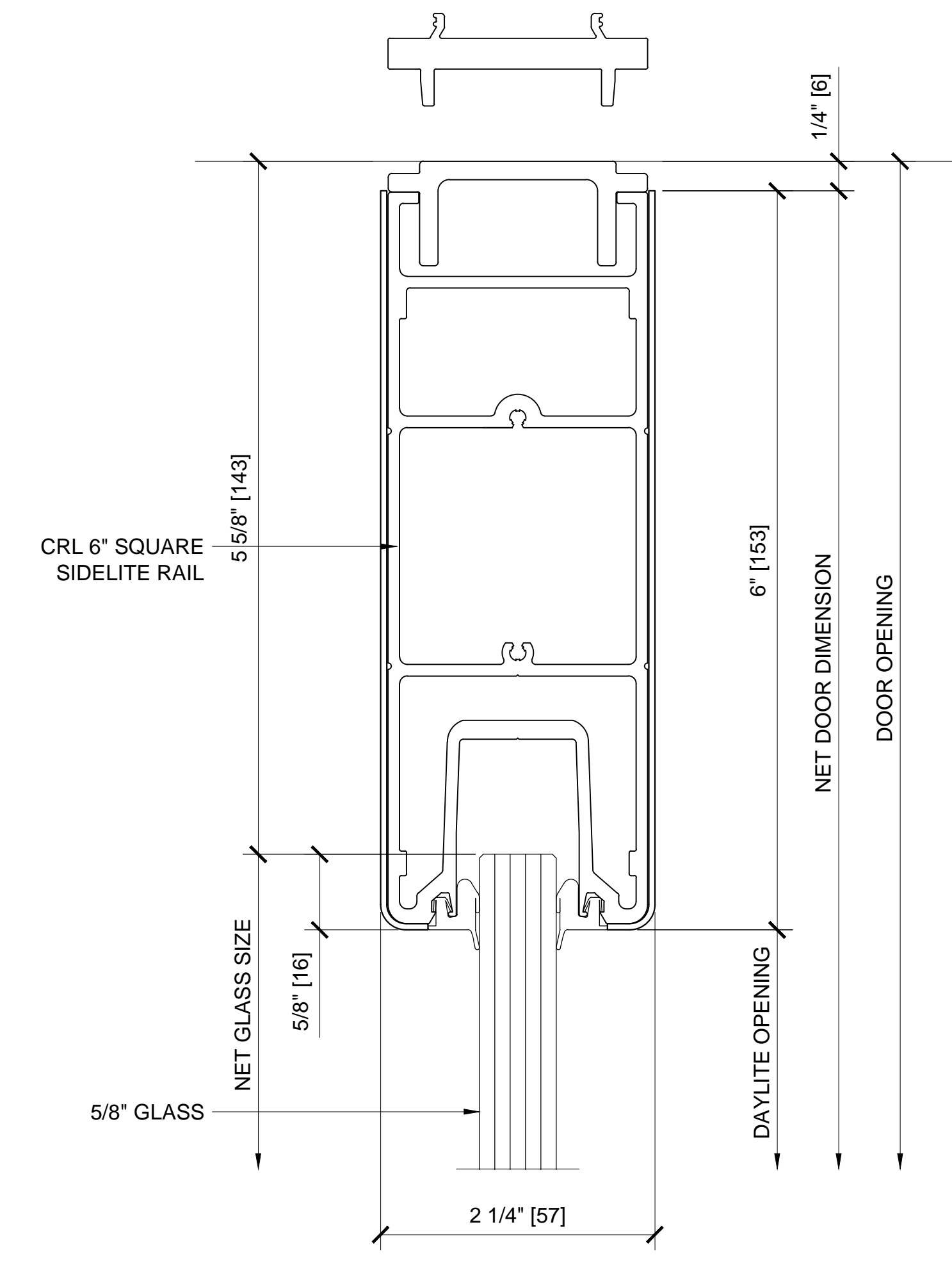
Sheet



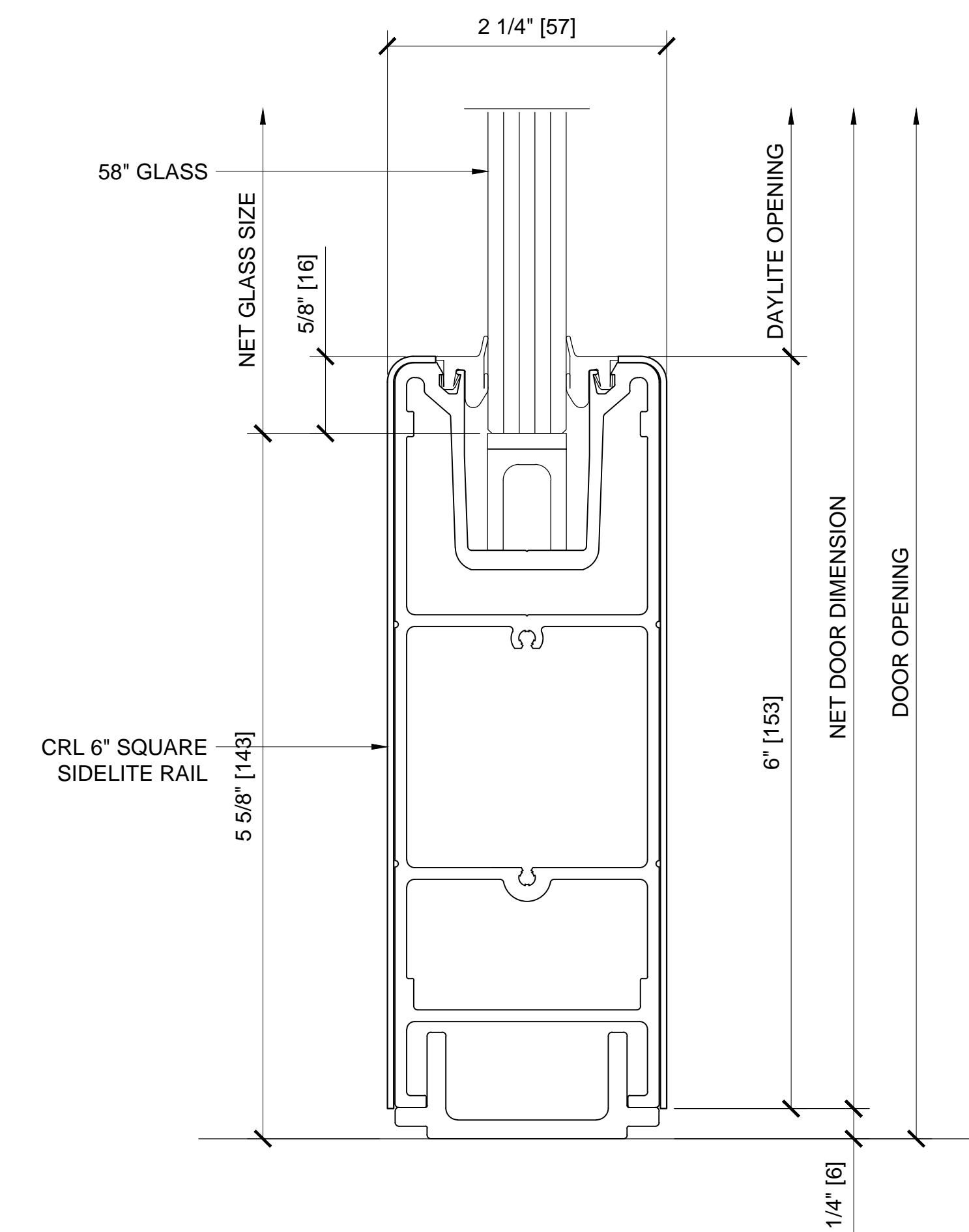
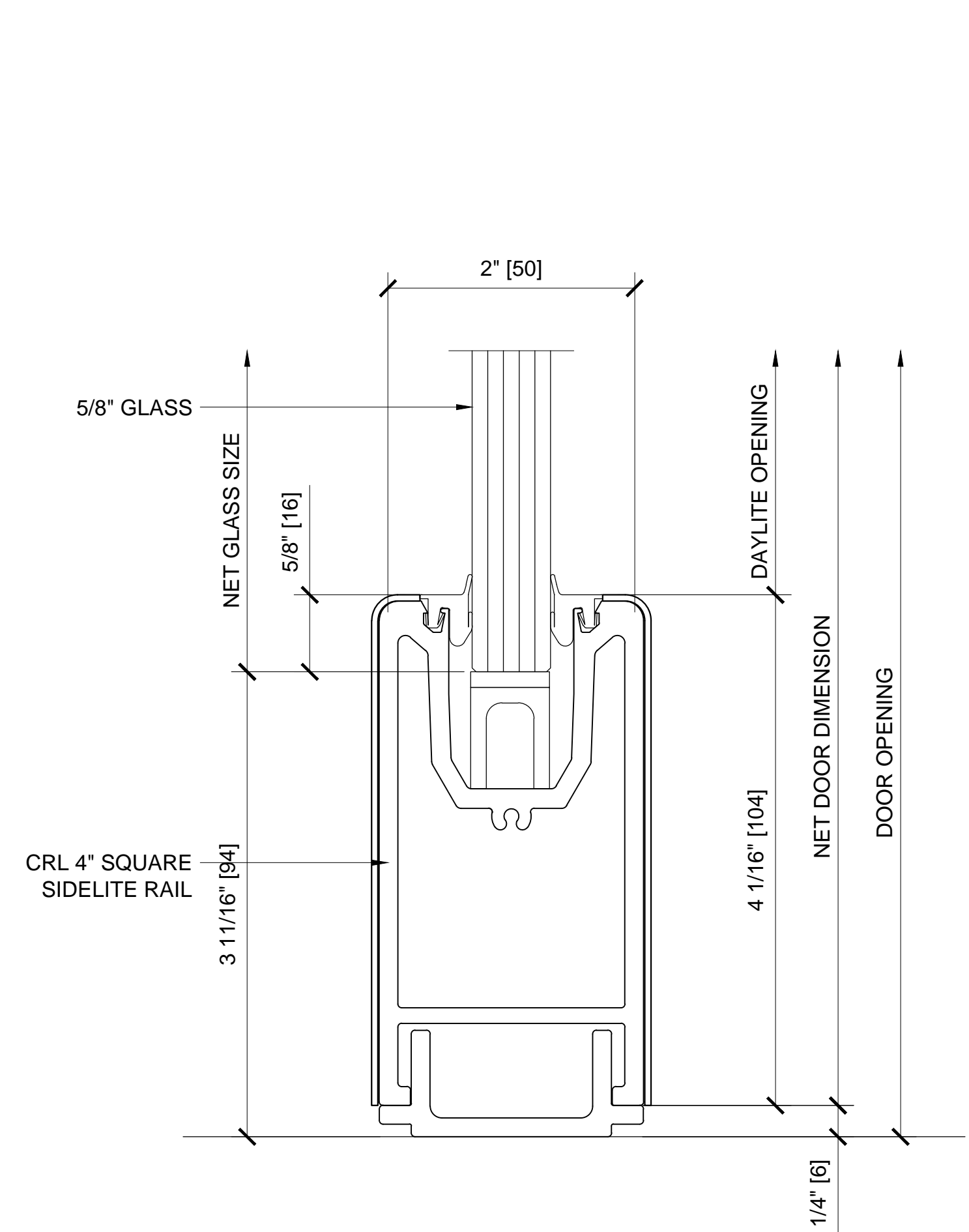
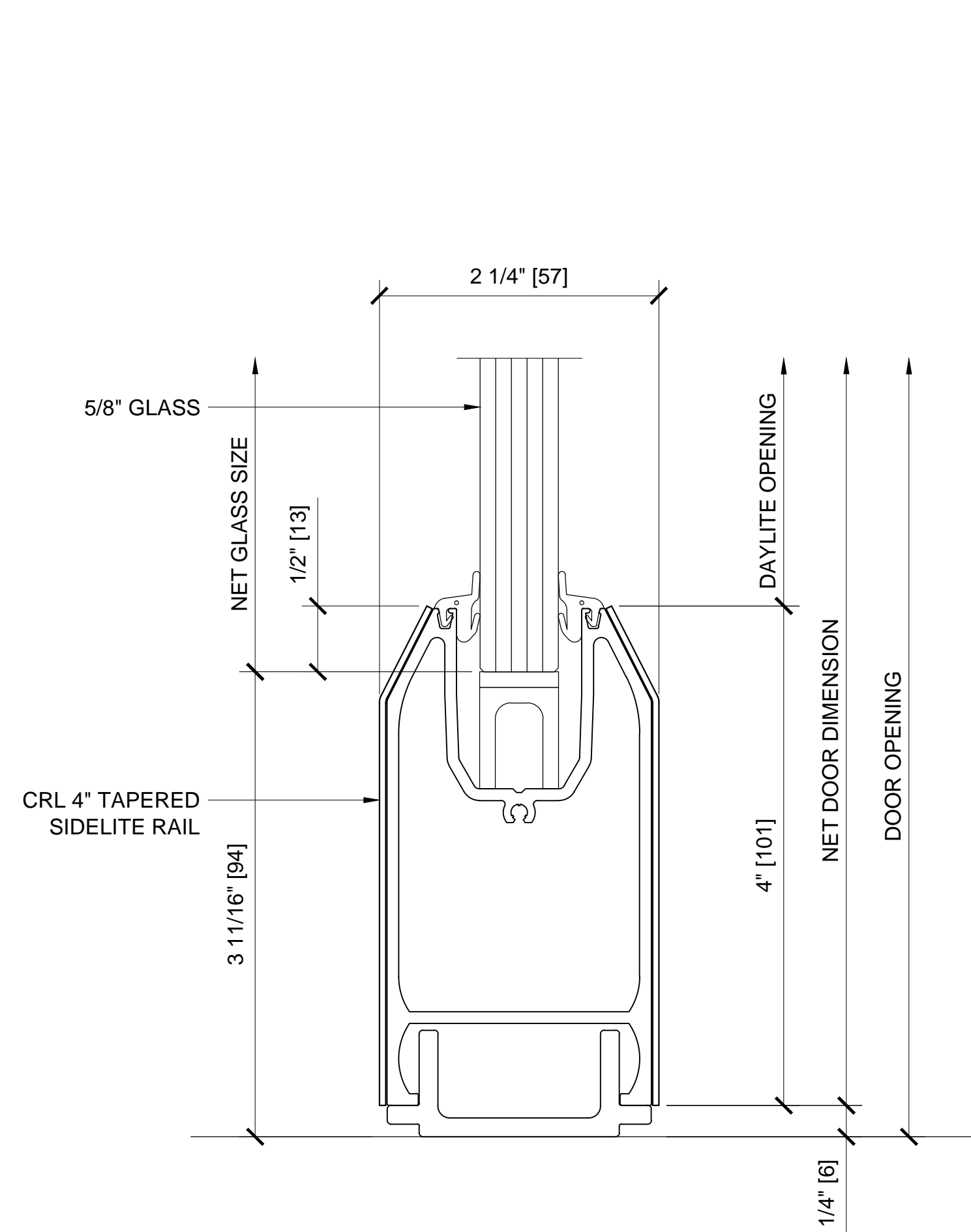
CRL 4" TALL TAPERED SIDELITE RAIL



CRL 4" TALL SQUARE SIDELITE RAIL

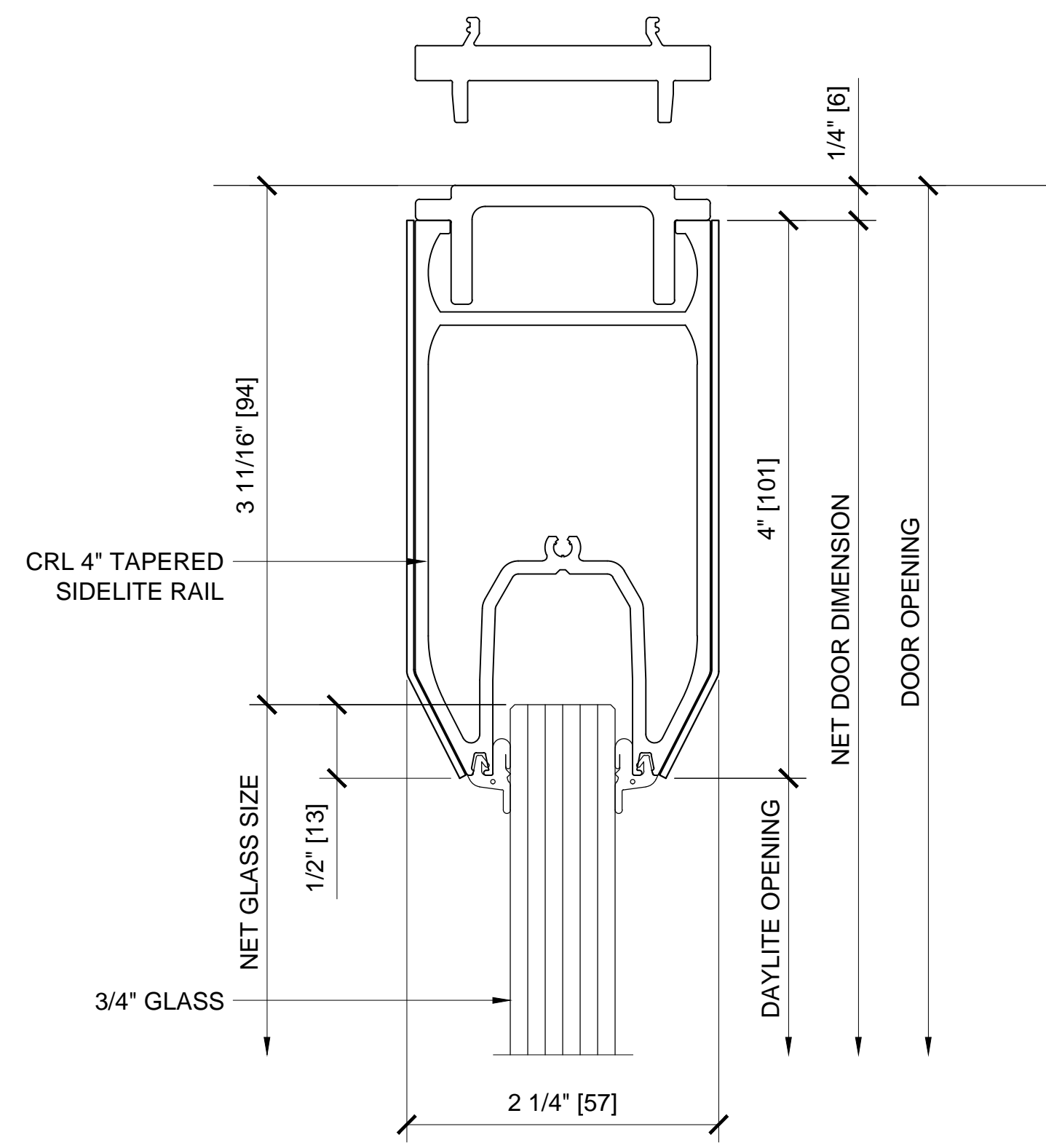


CRL 6" TALL SQUARE SIDELITE RAIL

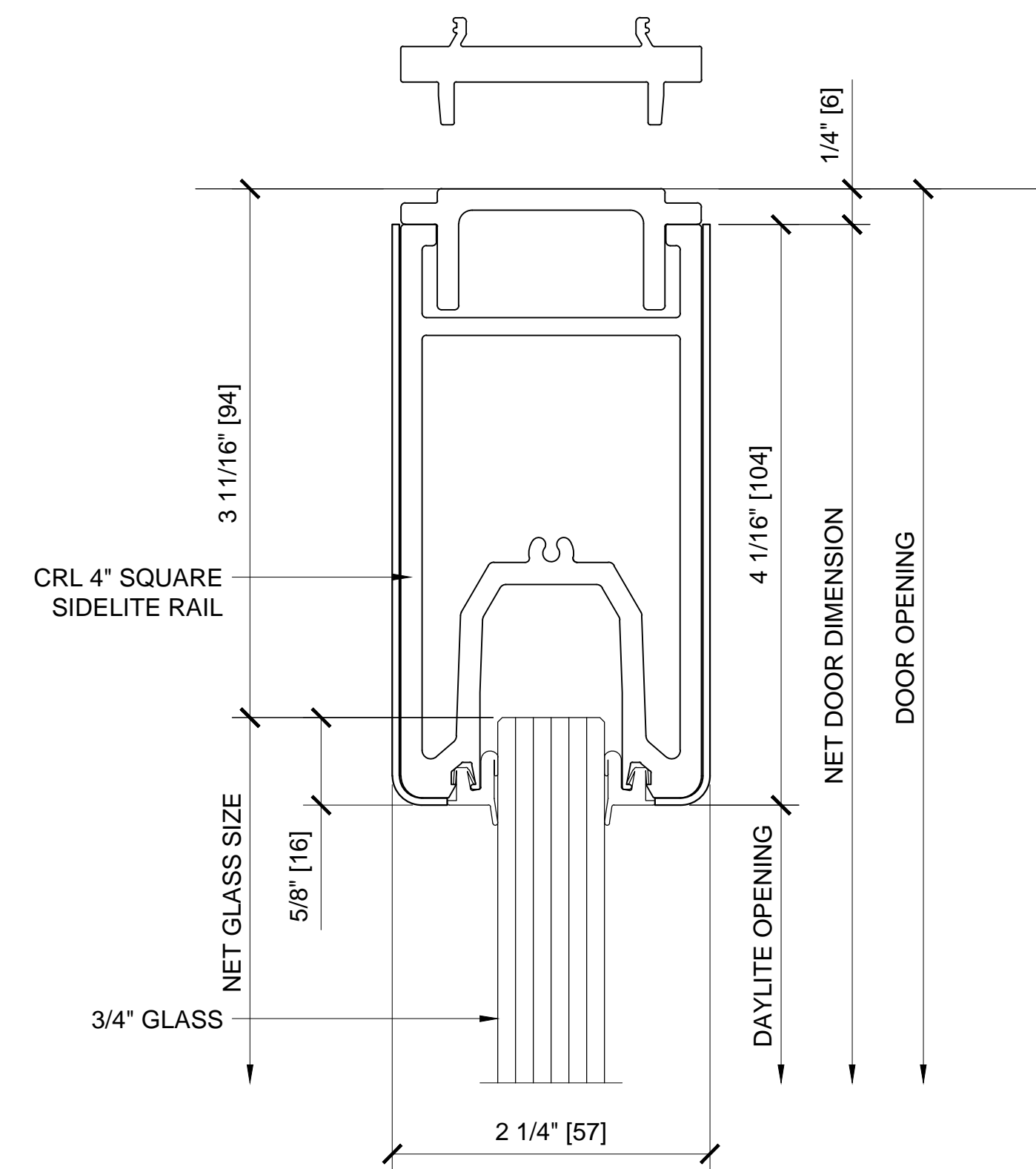


**STANDARD SIDELITE RAILS FOR 3/8" GLASS**

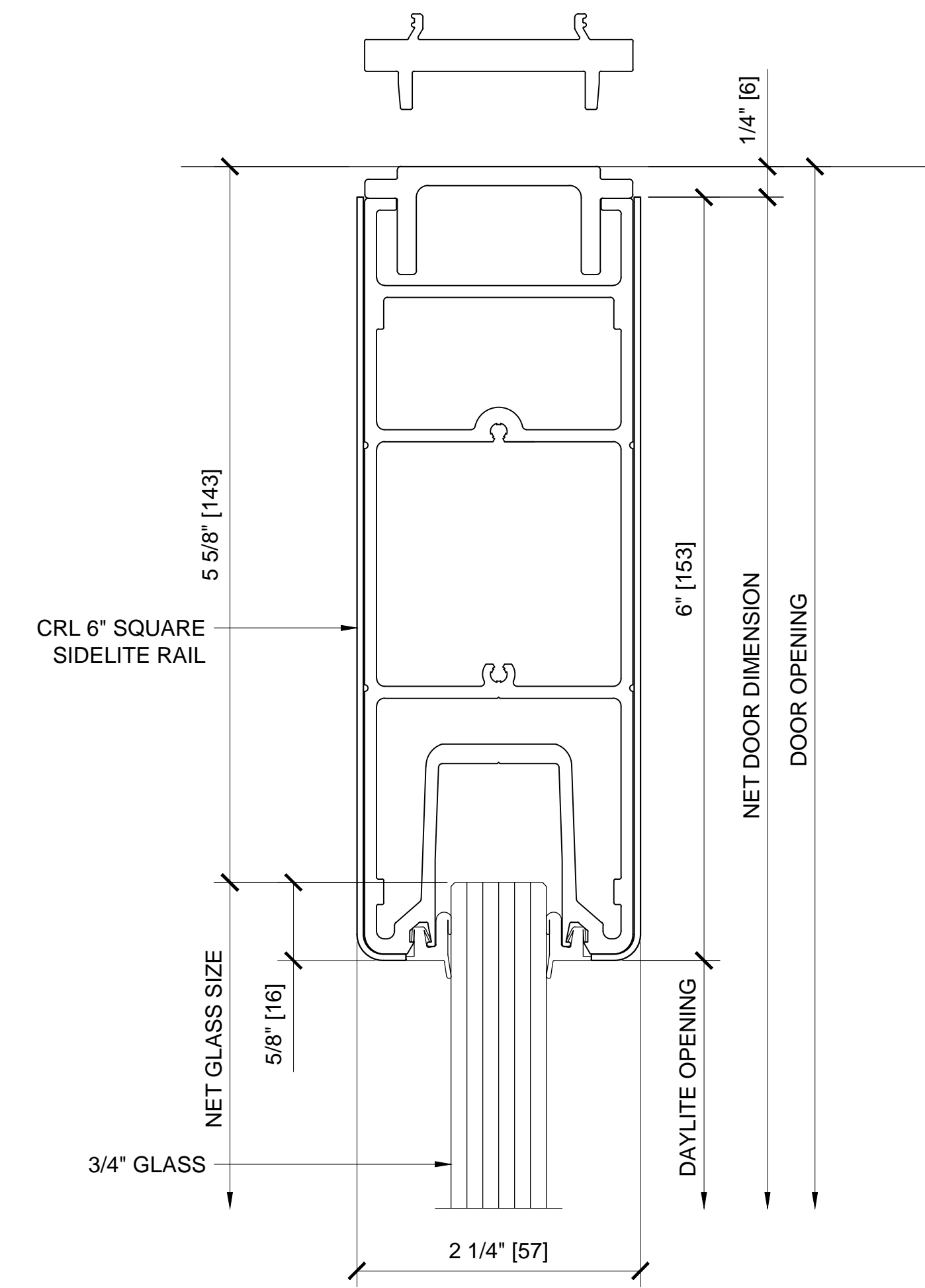




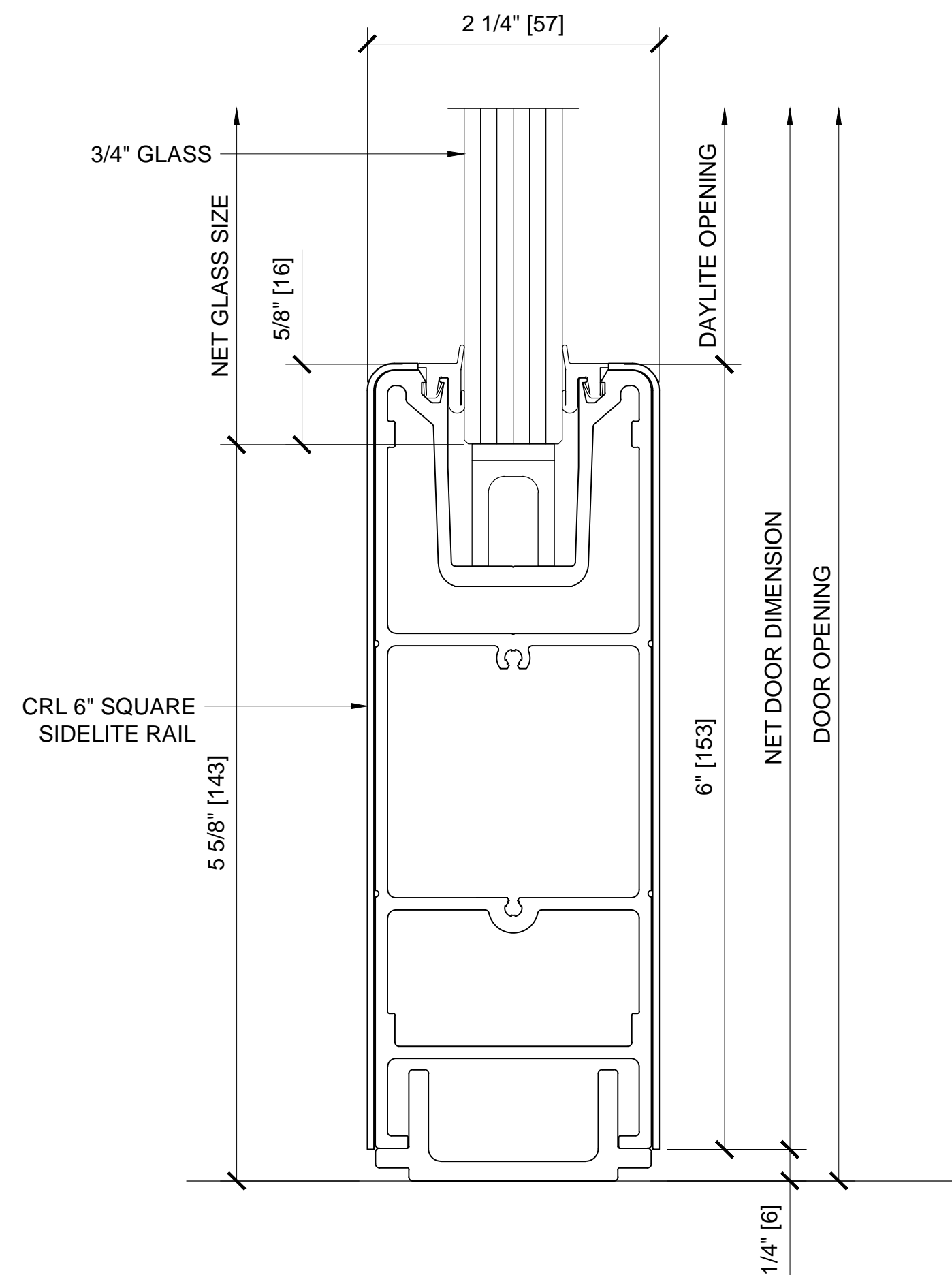
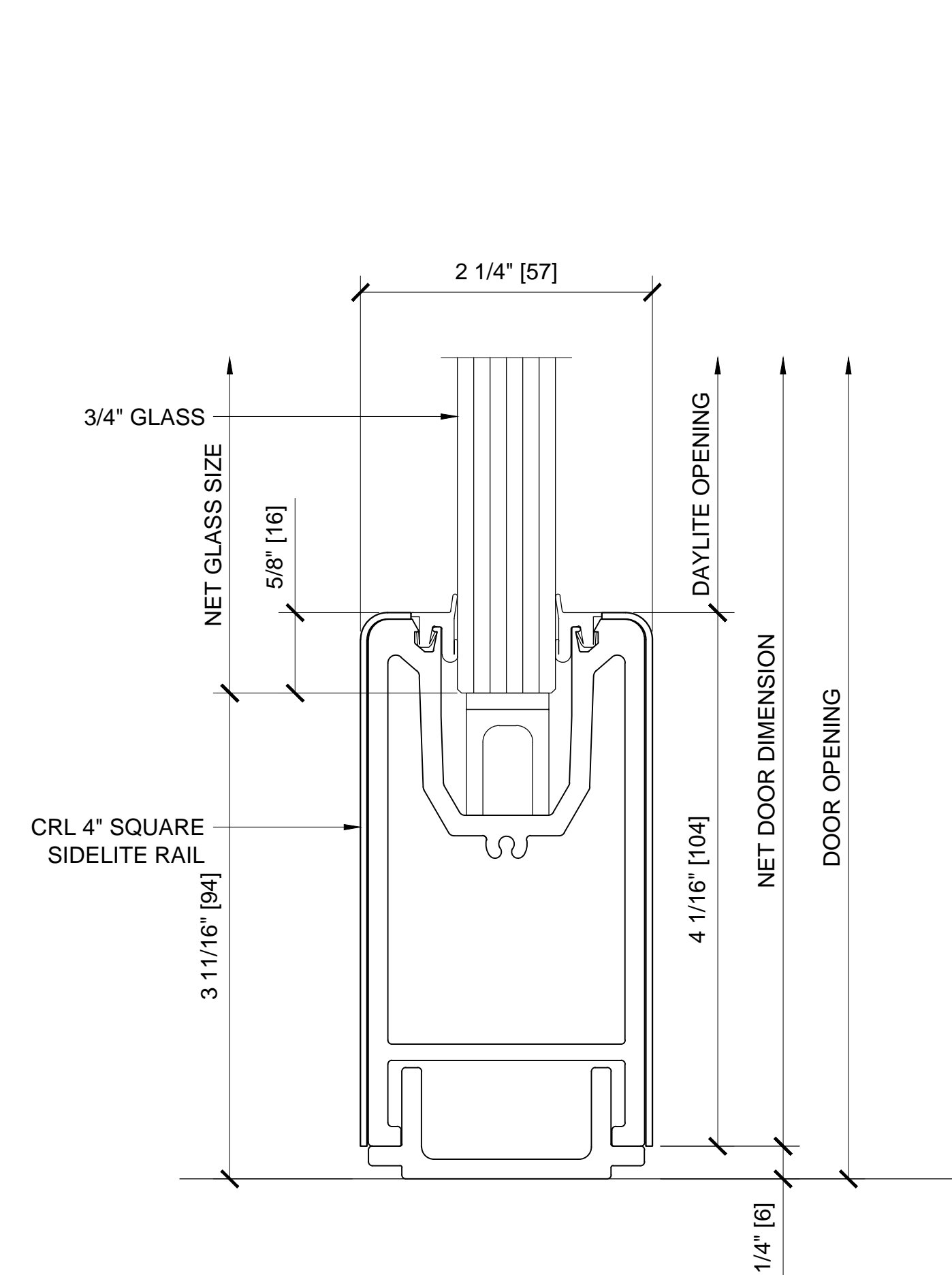
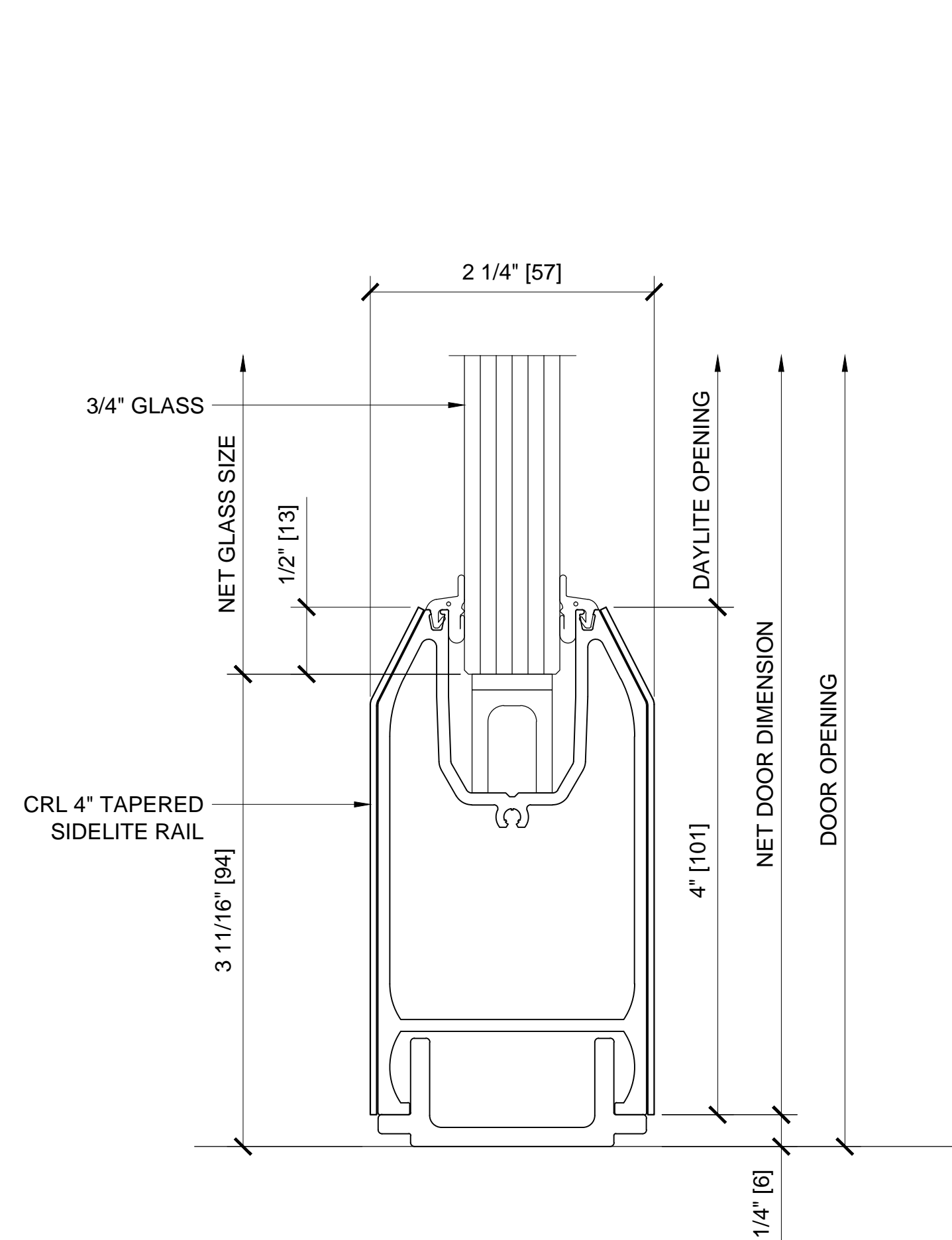
CRL 4" TALL TAPERED SIDELITE RAIL



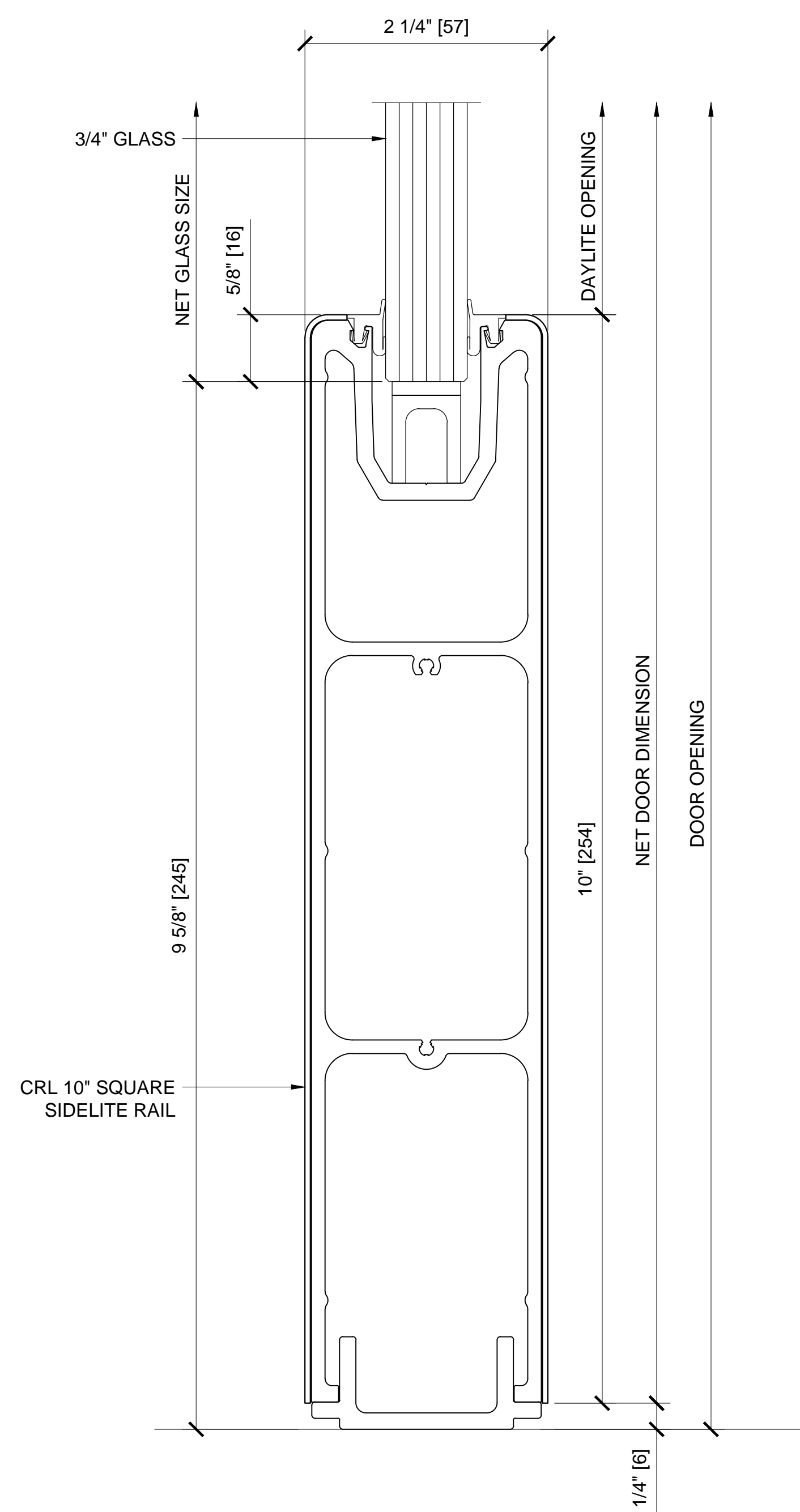
CRL 4" TALL SQUARE SIDELITE RAIL



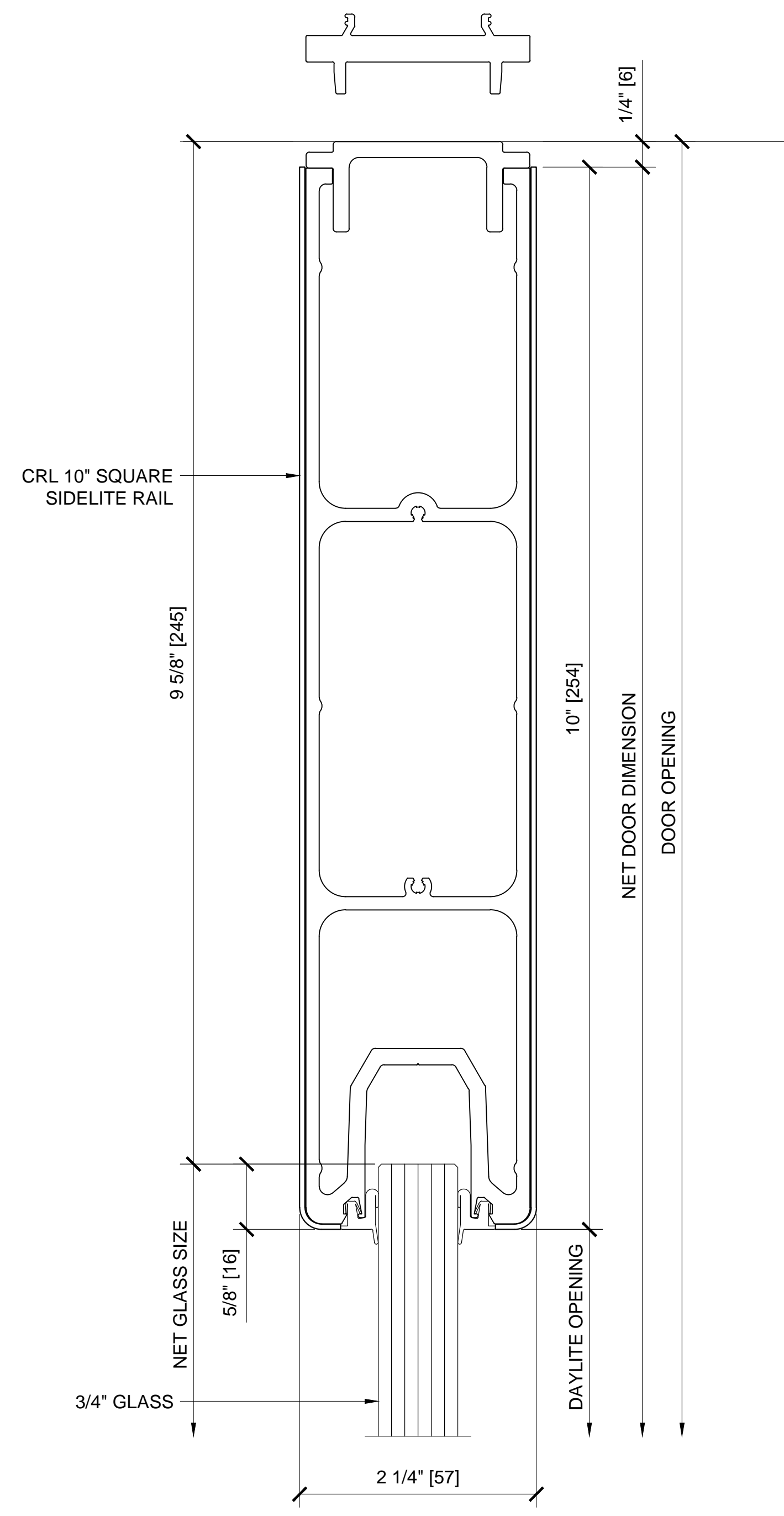
CRL 6" TALL SQUARE SIDELITE RAIL



**STANDARD SIDELITE RAILS FOR 1/2" GLASS**



CRL 10" TALL SQUARE SIDELITE RAIL



**STANDARD SIDELITE RAILS FOR 1/2" GLASS**

Revisions By:



C.R. LAURENCE CO. ARCHITECTURAL PRODUCTS  
 2503 E. Vernon Avenue, Los Angeles, CA 90058-1897  
 PH (800)-421-6144 FX (800)-987-7501 www.crlaurence.com

Description:  
 CRL COMMERCIAL PATCH  
 HARDWARE AND SIDELITES  
 WEDGE LOCK STYLE  
 FOR 5/8"-3/4" GLASS

Drawn By: AAD  
 Date: 1/3/14  
 Scale: 1'-0"=1'-0"  
 File Name:  
 PATCH FITTINGS-WL5834.dwg

Sheet