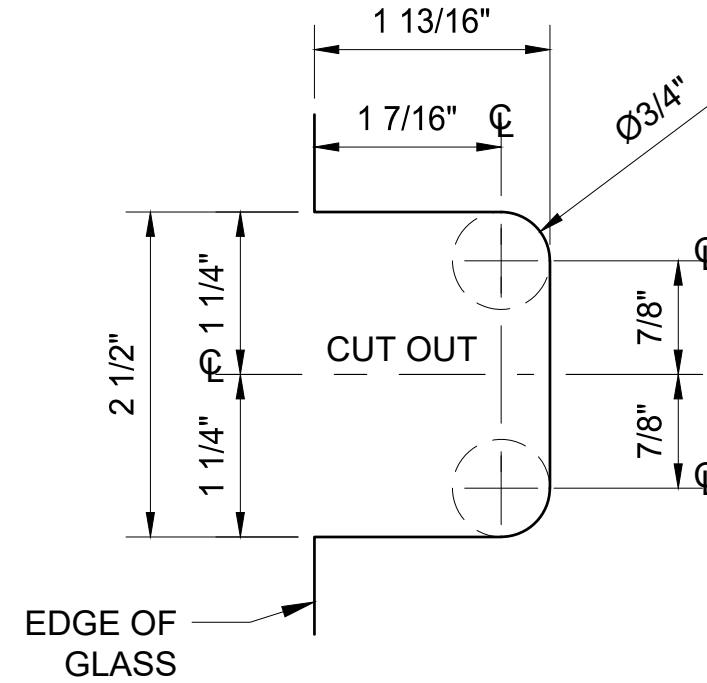
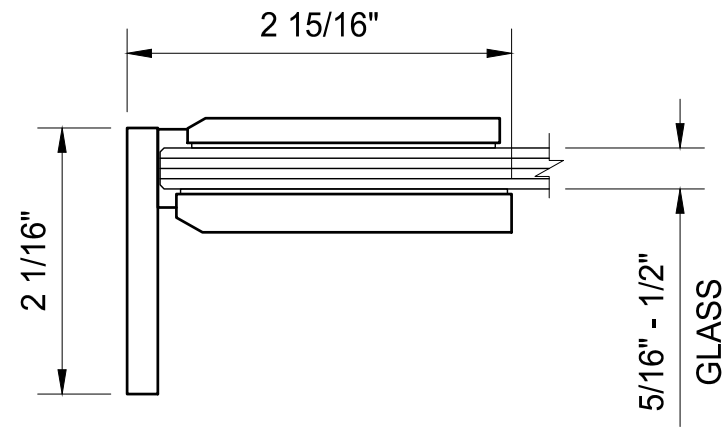
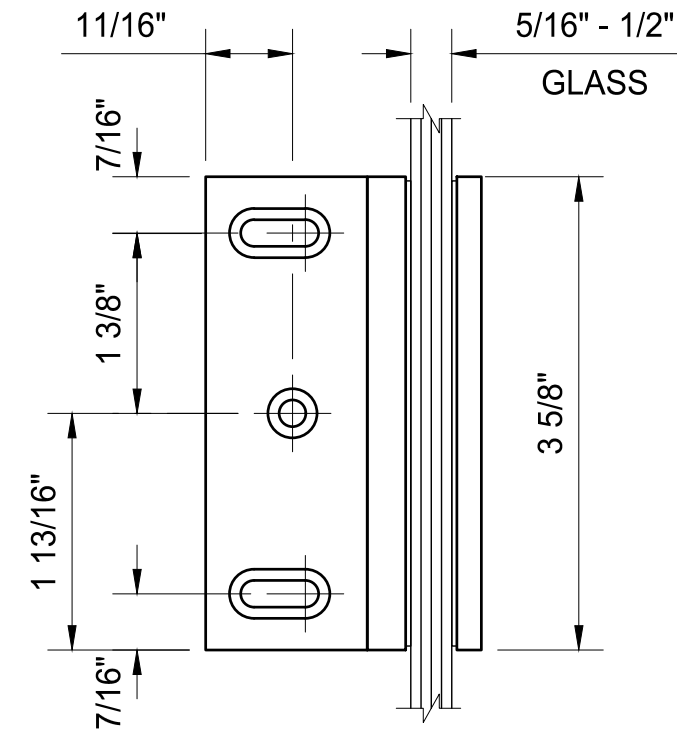
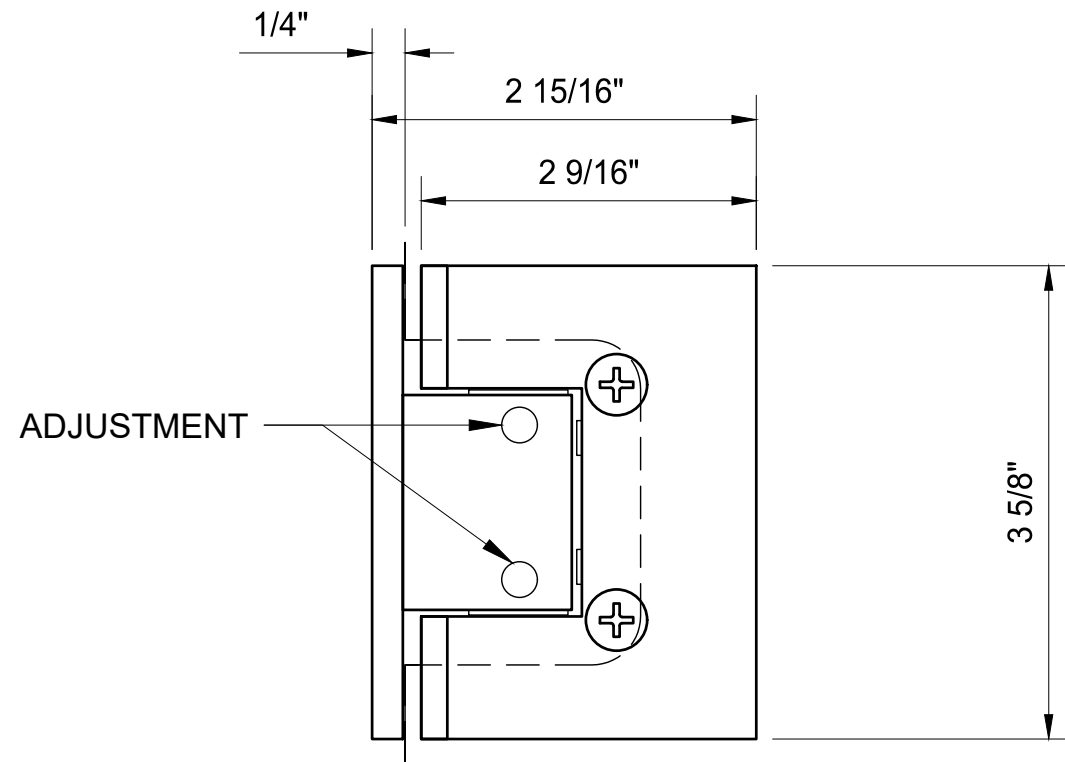


USE OF GASKETS	
FOR 5/16" (8mm) GLASS: USE TWO THICK GASKETS STAMPED WITH 8mm	
FOR 3/8" (10mm) GLASS: USE TWO GASKETS STAMPED WITH 12-10mm	
FOR 1/2" (12mm) GLASS: USE TWO GASKETS STAMPED WITH 12-10mm	



GLASS FABRICATION TEMPLATE



CATALOG NUMBER	FINISH
MEL324BN	BRUSHED NICKEL
MEL324CH	POLISHED CHROME
MEL324MBL	MATTE BLACK

MEL324XX - CRL MELBOURNE SERIES ADJUSTABLE WALL MOUNT HINGE

DATE:	3/14/19
SCALE:	6"=1'-0"
DRAWN BY:	VM

DESCRIPTION: CRL MEL324\_\_  
 CTS  
 CRL MELBOURNE SERIES HINGES  
 www.crlaurence.com  
 ADJUSTABLE WALL MOUNT OFFSET BACK PLATE

C.R. LAURENCE CO. ARCHITECTURAL PRODUCTS  
 2503 E. Vernon Avenue, Los Angeles, C.A. 90058-1897  
 PH (800)-421-6144 FX: 800-587-7501 www.crlaurence.com

