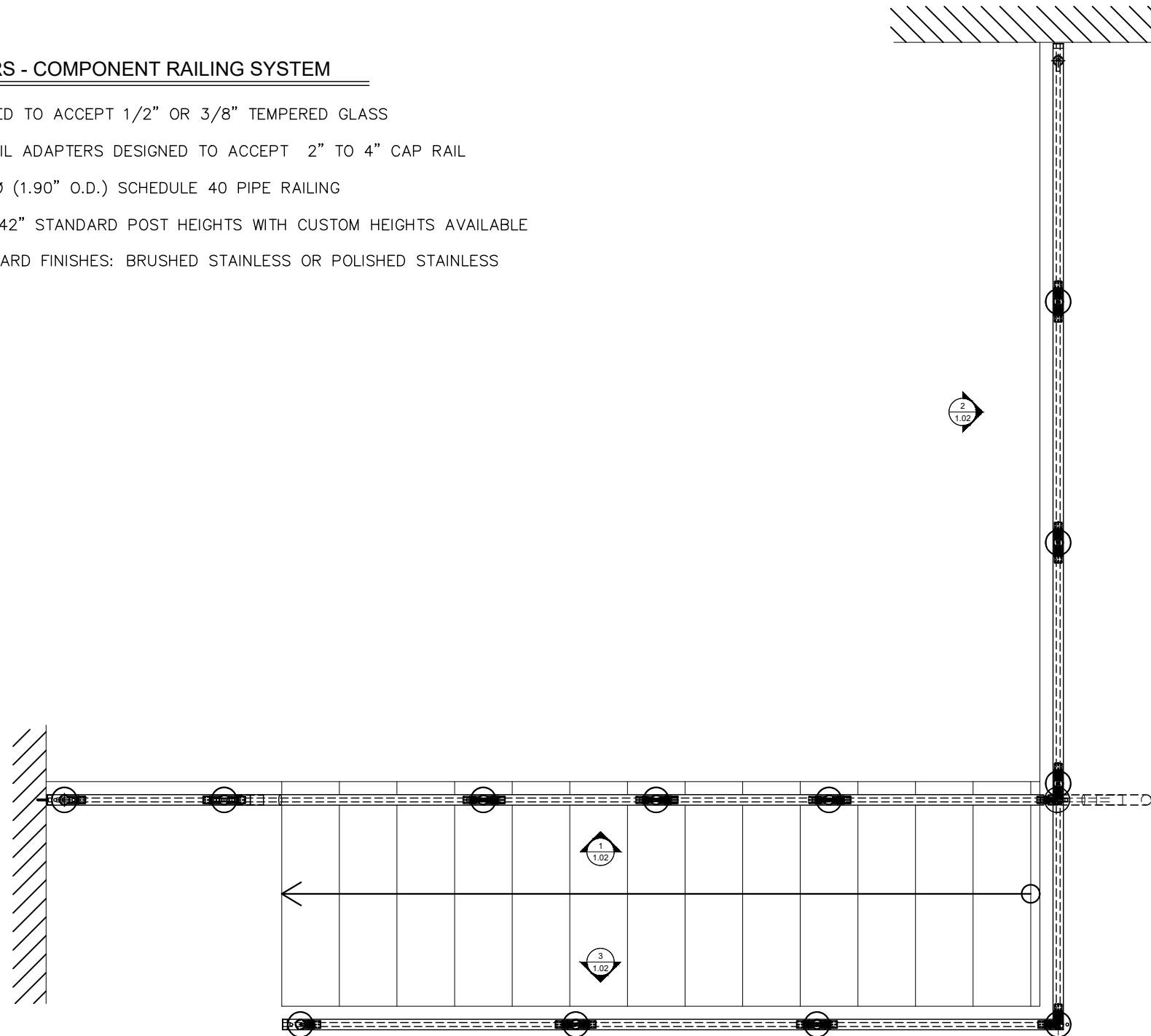


CRL CRS - COMPONENT RAILING SYSTEM

- * DESIGNED TO ACCEPT 1/2" OR 3/8" TEMPERED GLASS
- * TOP RAIL ADAPTERS DESIGNED TO ACCEPT 2" TO 4" CAP RAIL
- * 1 1/2"Ø (1.90" O.D.) SCHEDULE 40 PIPE RAILING
- * 36" & 42" STANDARD POST HEIGHTS WITH CUSTOM HEIGHTS AVAILABLE
- * STANDARD FINISHES: BRUSHED STAINLESS OR POLISHED STAINLESS



STRUCTURAL DISCLAIMER:

ALL CUSTOMERS WHO IN ANY WAY UTILIZE THIS PRODUCT ARE SOLELY RESPONSIBLE TO CONSULT A STRUCTURAL ENGINEER TO DETERMINE THE SUITABILITY OF THE PRODUCT FOR THE INTENDED USE AND SITE CONDITIONS. ALL INSTALLERS MUST BE QUALIFIED AND HAVE PROFESSIONAL KNOWLEDGE ABOUT COMPLIANCE WITH LOCAL, STATE AND FEDERAL REGULATIONS, SAFETY FACTORS, AND THE APPROPRIATE CHOICE OF FIXING MATERIAL AND PROCEDURES.

1 TYPICAL PLAN VIEW

1" = 1'-0"

ARCH. REF.: N/A

Revisions By:



Description:
CRS
COMPONENT
RAILING SYSTEM

Drawn By: JRM

Date: 02/21/2019

Scale: AS NOTED

File Name:
SYS0105A CRS Component Railing System

Sheet

1.01

Revisions By:



A CRH COMPANY
2503 E. Vernon Avenue, Los Angeles, CA 90058-1887
PH (800)-421-6144 FAX: 800-857-7501 www.crlusa.com

Description:

CRS COMPONENT RAILING SYSTEM

Drawn By: JRM

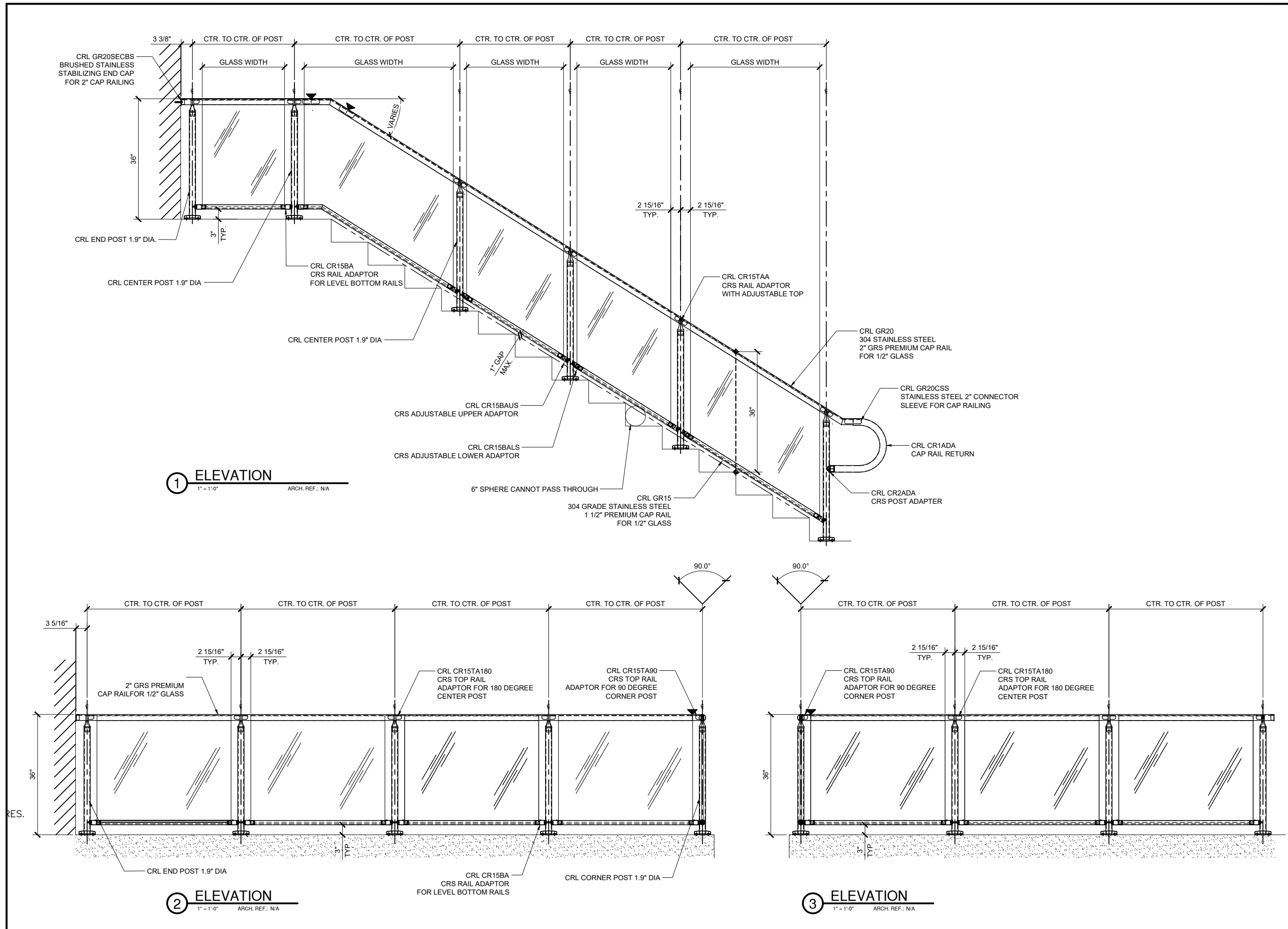
Date: 02/21/2019

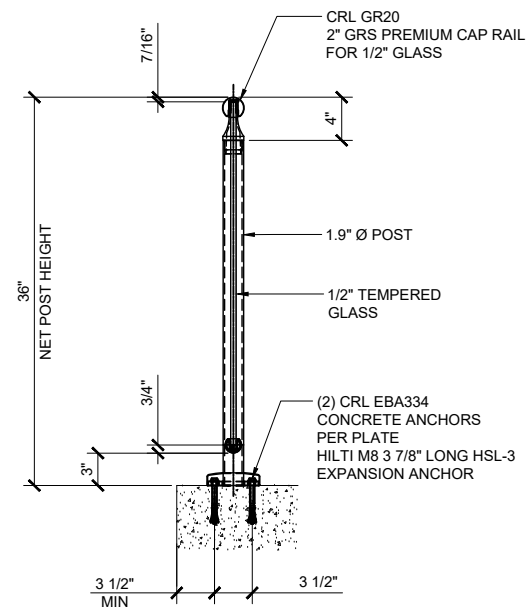
Scale: AS NOTED

File Name: SYS0105A CRS Component Railing System

Sheet

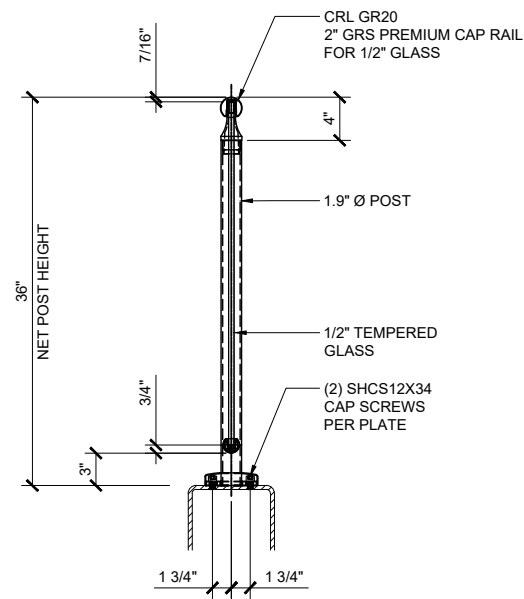
1.02





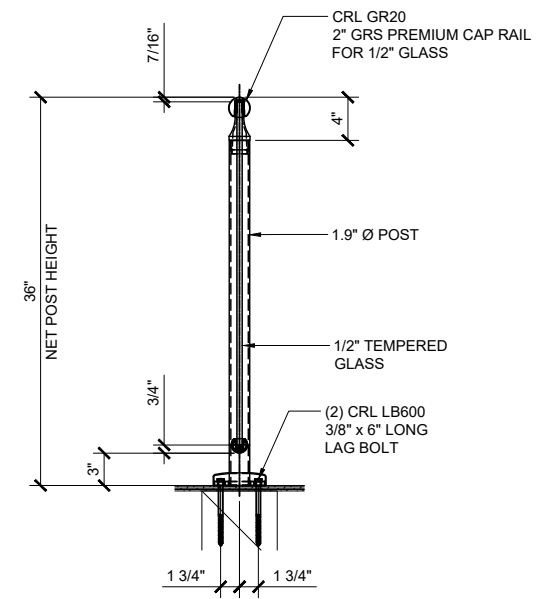
CONCRETE MOUNT

1 1/2"=1'-0"



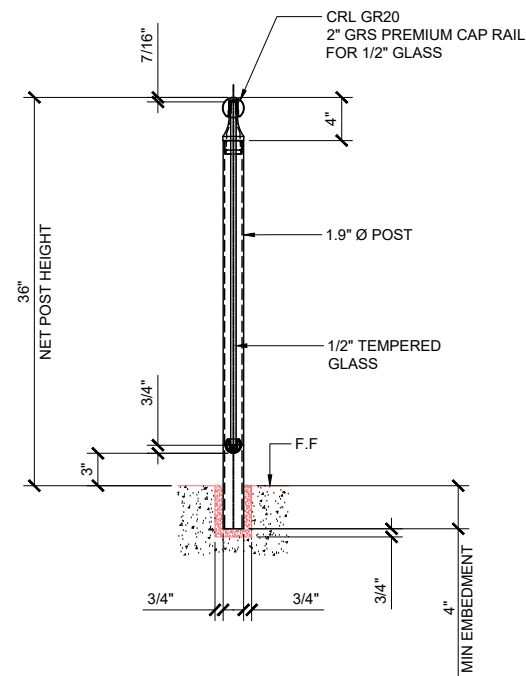
STEEL MOUNT

1 1/2"=1'-0"



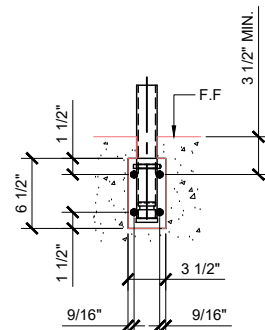
WOOD MOUNT

1 1/2"=1'-0"



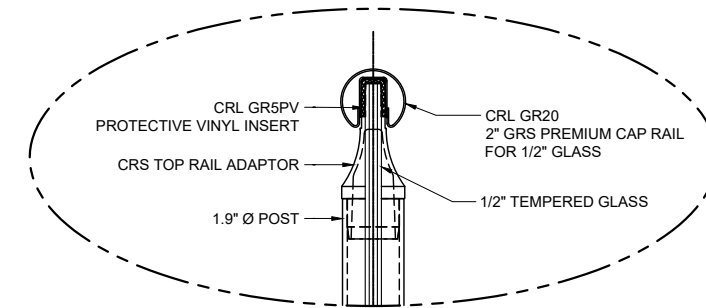
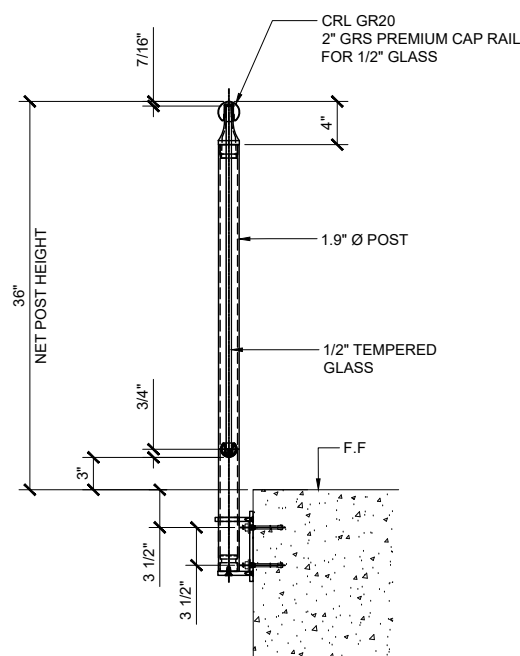
CORE MOUNT

1 1/2"=1'-0"



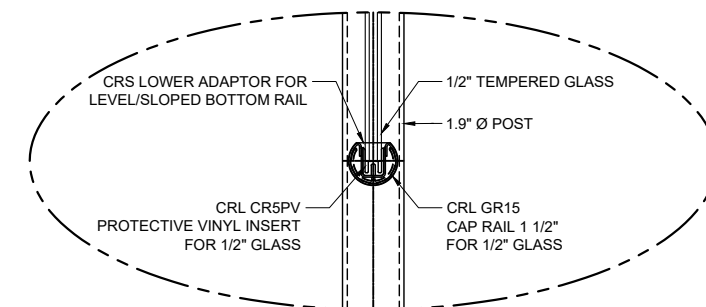
FASCIA MOUNT

1 1/2"=1'-0"



TYPICAL DETAIL @ TOP RAIL ADAPTOR

3:1



TYPICAL DETAIL @ BOTTOM RAIL ADAPTOR

3:1

Revisions By:



2503 E. Vernon Avenue, Los Angeles, CA 90058-1887
PH (800)-421-8144 FAX: 800-857-7501 www.crlusa.com

Description:

CRS
COMPONENT
RAILING SYSTEM

Drawn By: JRM

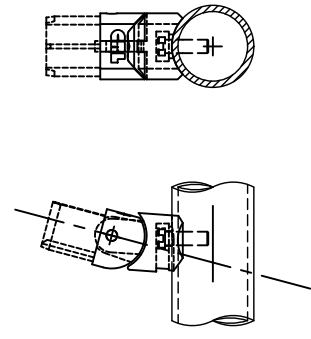
Date: 02/21/2019

Scale: AS NOTED

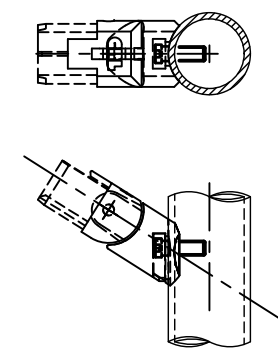
File Name:
SYS0105A CRS Component Railing System

Sheet

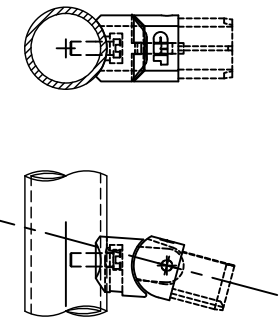
1.03



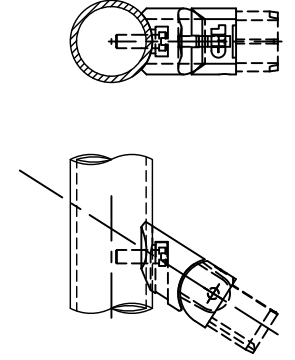
CR15BALR - CRS ADJ. LOWER ADAPTOR FOR RAMPS
SCALE: 6"=1'-0"



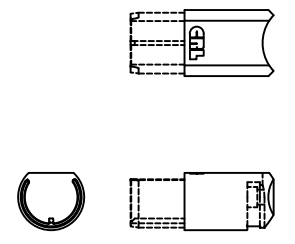
CR15BALS - CRS ADJ. LOWER ADAPTOR FOR STAIRS
SCALE: 6"=1'-0"



CR15BAUR - CRS ADJ. UPPER ADAPTOR FOR RAMPS
SCALE: 6"=1'-0"



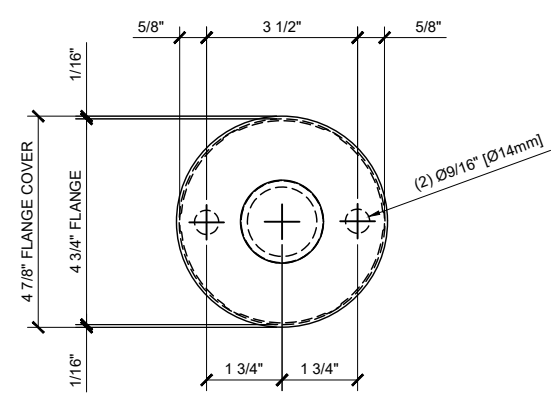
CR15BAUS - CRS ADJ. UPPER ADAPTOR FOR STAIRS
SCALE: 6"=1'-0"



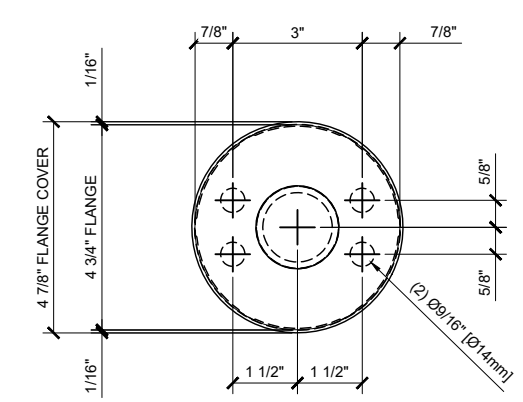
CR15BA - CRS RAIL ADAPTOR FOR LEVEL BOTTOM RAILS
SCALE: 6"=1'-0"



CR2ADA - CRS POST ADAPTOR
SCALE: 6"=1'-0"



FLANGE & COVER @ CONCRETE
SCALE: 6"=1'-0"



FLANGE & COVER @ WOOD
SCALE: 6"=1'-0"

Revisions By:



Description:
CRS
COMPONENT
RAILING SYSTEM

Drawn By: JRM
Date: 02/21/2019
Scale: AS NOTED
File Name: SYS0105A CRS Component Railing System

Sheet

1.04