

Revisions By:

CRL.

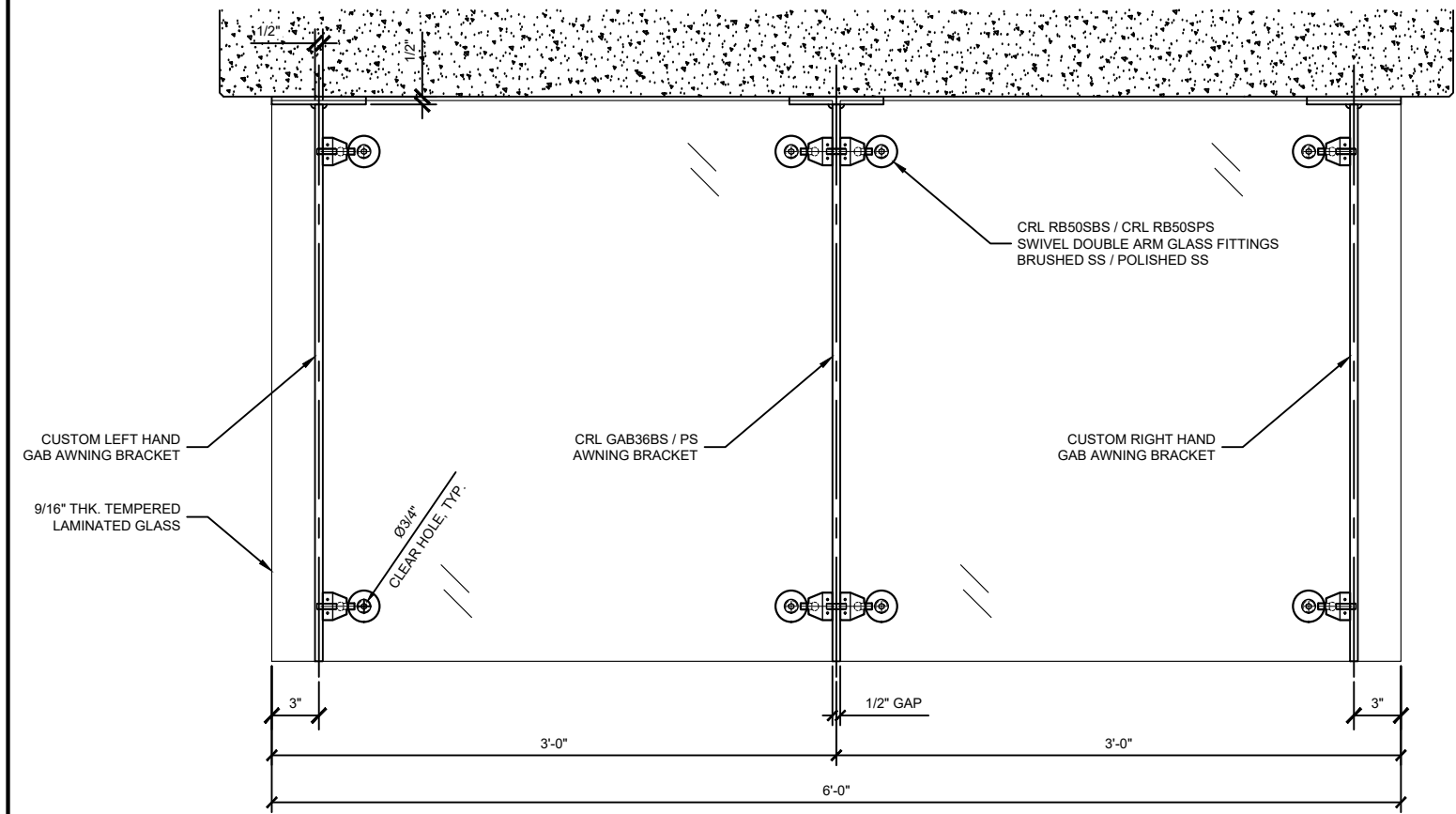
2503 E. Vernon Avenue, Los Angeles, CA 90058-1897
PH: (800)-421-8144 FX: 800-587-7501 www.crlaurence.com

Description:
CRL GAB
GLASS AWNING SUPPORT SYSTEM

Drawn By:JO
Date: 02/08/2019
Scale: AS NOTED
File Name:
SYS0101A_GAB_WALL_MNT

Sheet

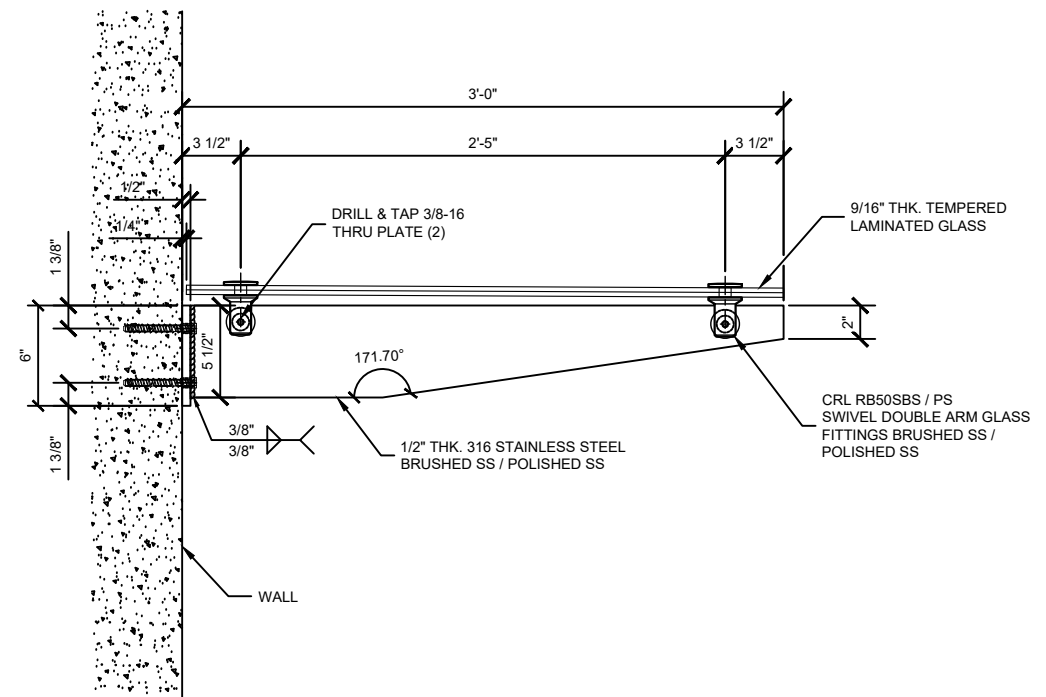
1



1 PLAN - TYPICAL GAB GLASS AWNING SYSTEM

Scale: 1 : 5

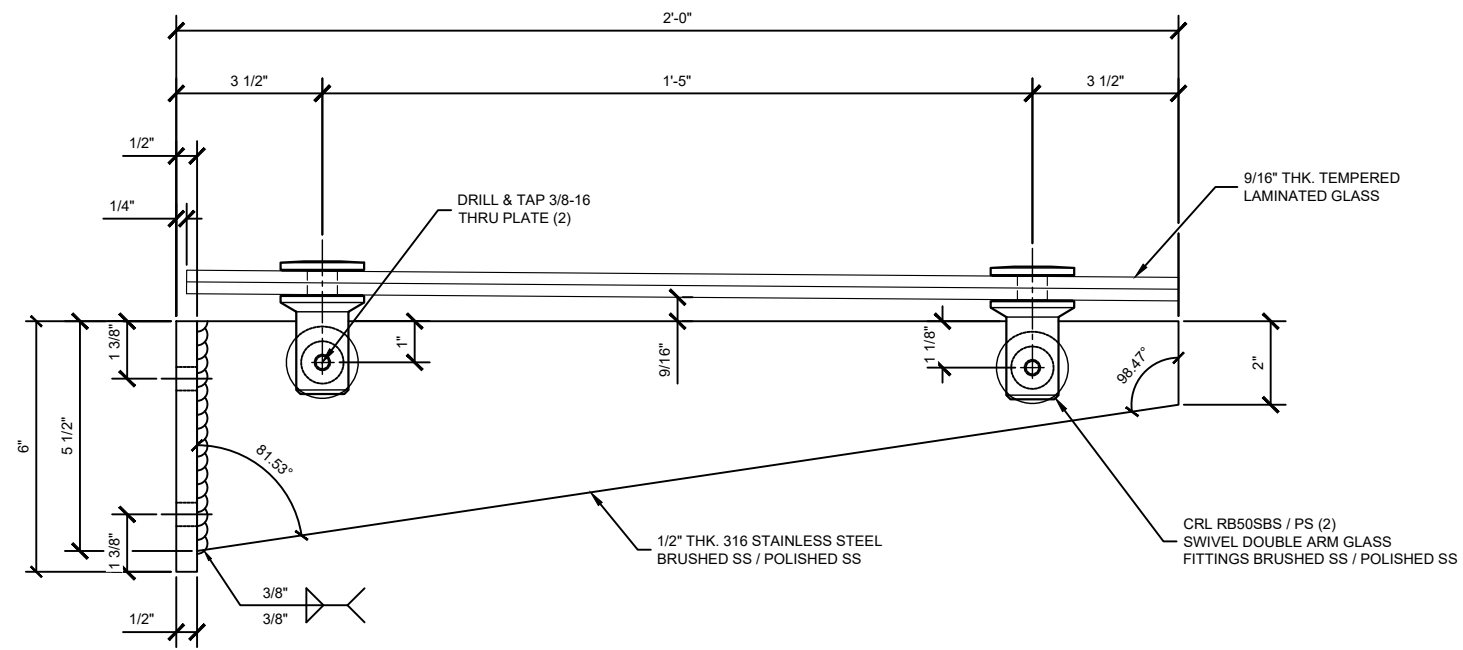
STRUCTURAL DISCLAIMER:
 ALL CUSTOMERS WHO IN ANY WAY UTILIZE THIS PRODUCT ARE SOLELY RESPONSIBLE TO CONSULT A STRUCTURAL ENGINEER TO DETERMINE THE SUITABILITY OF THE PRODUCT FOR THE INTENDED USE AND SITE CONDITIONS. ALL INSTALLERS MUST BE QUALIFIED AND HAVE PROFESSIONAL KNOWLEDGE ABOUT COMPLIANCE WITH LOCAL, STATE AND FEDERAL REGULATIONS, SAFETY FACTORS, AND THE APPROPRIATE CHOICE OF FIXING MATERIAL AND PROCEDURES.



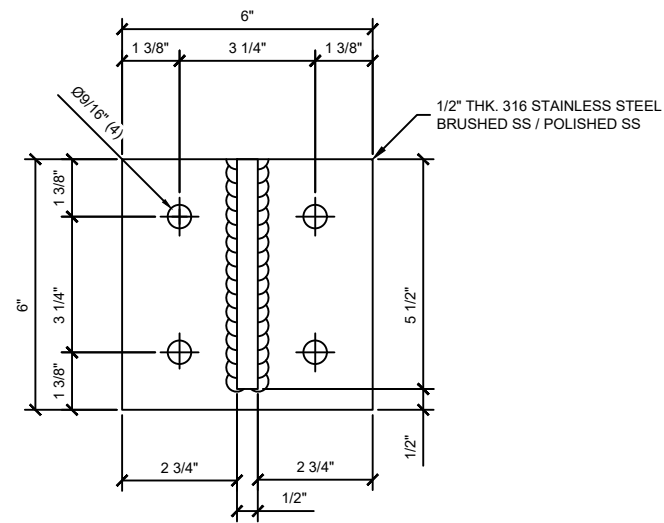
2 SECTION THRU 36" PANEL, GAB36BS / PS

Scale: 1 : 5

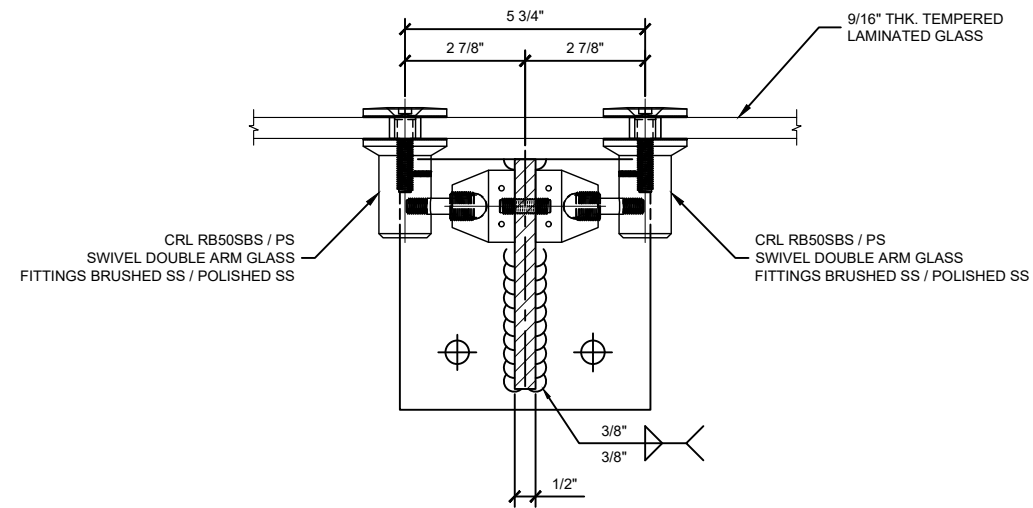
GAB24BS/PS = 24" PROJECTION
GAB36BS/PS = 36" PROJECTION
GAB48BS/PS = 48" PROJECTION



1 CRL GABS24 - 24" GLASS AWNING BRACKET Scale: 6" = 1'-0"



2 BASE PLATE DETAIL Scale: 6" = 1'-0"



3 GLASS FITTING DETAIL Scale: 6" = 1'-0"

Revisions By:

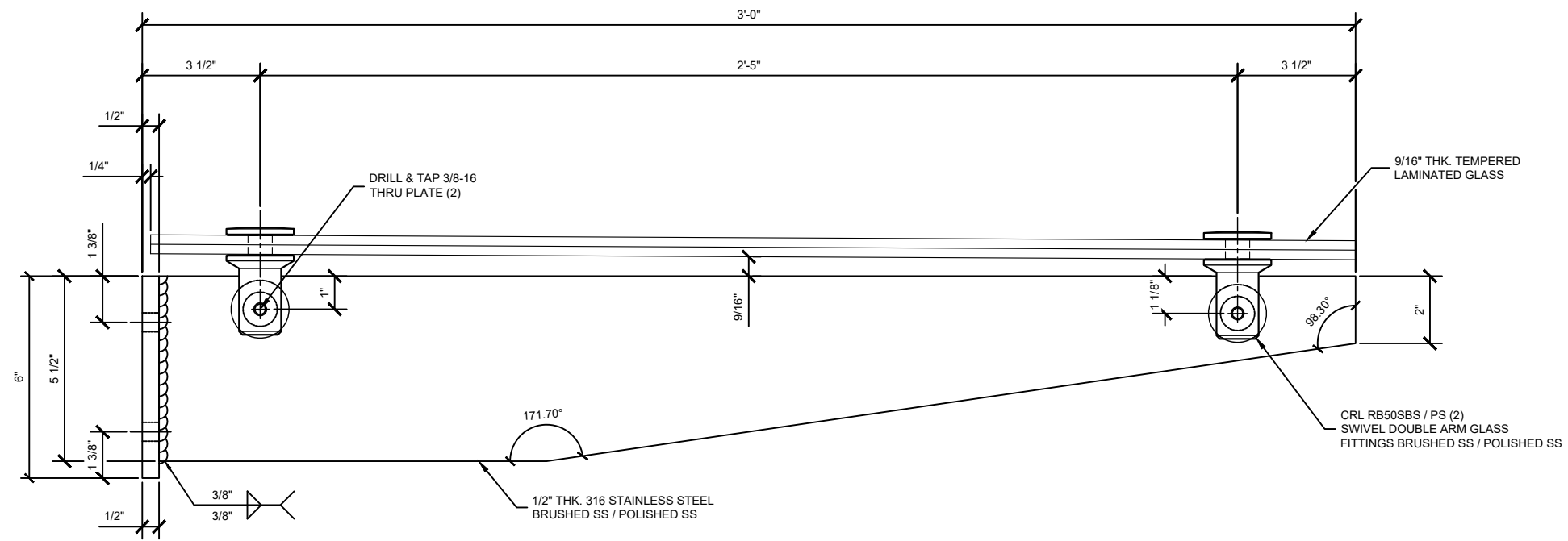
CRL.

2503 E. Vernon Avenue, Los Angeles, CA 90058-1897
 PH: (800)-421-8144 FX: 800-587-7501 www.crlaurence.com

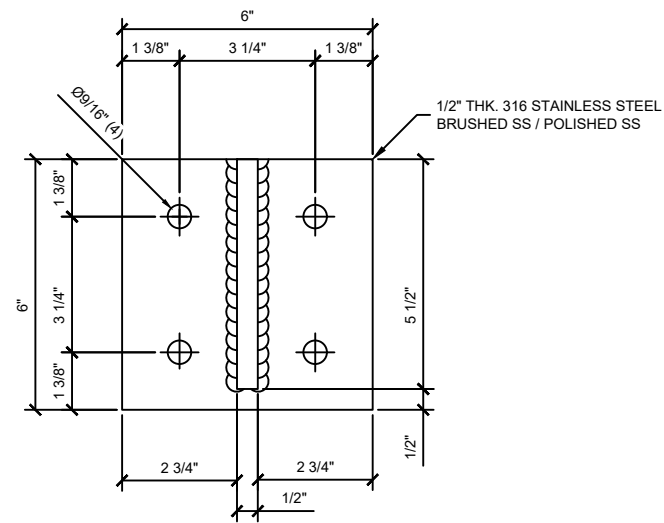
Description:
 CRL GAB
 GLASS AWNING SUPPORT SYSTEM

Drawn By:JO
 Date: 02/08/2019
 Scale: AS NOTED
 File Name:
 SYS0101A_GAB_WALL_MNT

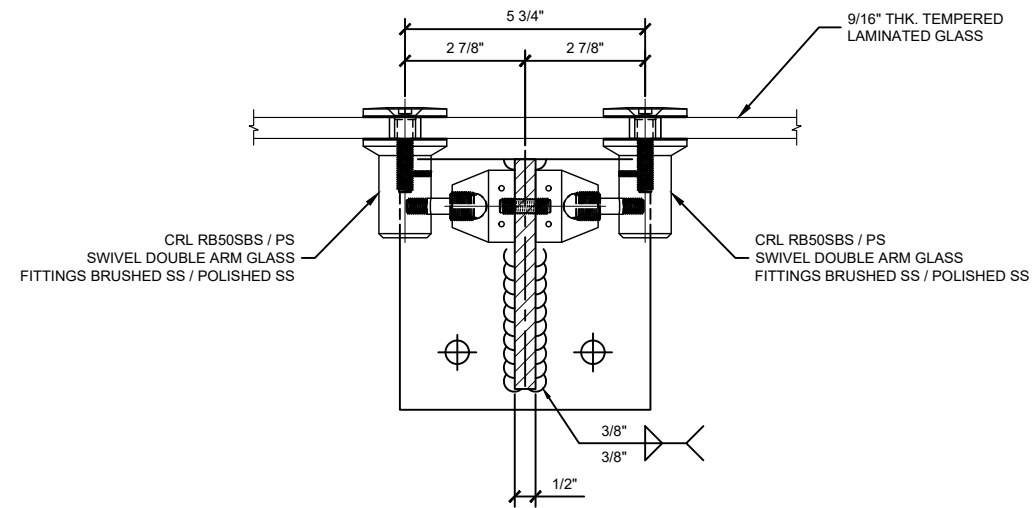
Sheet



1 CRL GAB36 - 36" GLASS AWNING BRACKET
Scale: 6" = 1'-0"



2 BASE PLATE DETAIL
Scale: 6" = 1'-0"



3 GLASS FITTING DETAIL
Scale: 6" = 1'-0"

Revisions By:

CRL.

2503 E. Vernon Avenue, Los Angeles, CA 90058-1897
PH: (800)-421-8144 FX: 800-587-7501 www.crlaurence.com

Description:
CRL GAB
GLASS AWNING SUPPORT SYSTEM

Drawn By:JO
Date: 02/08/2019
Scale: AS NOTED
File Name:
SYS0101A_GAB_WALL_MNT
Sheet

Revisions By:

CRL

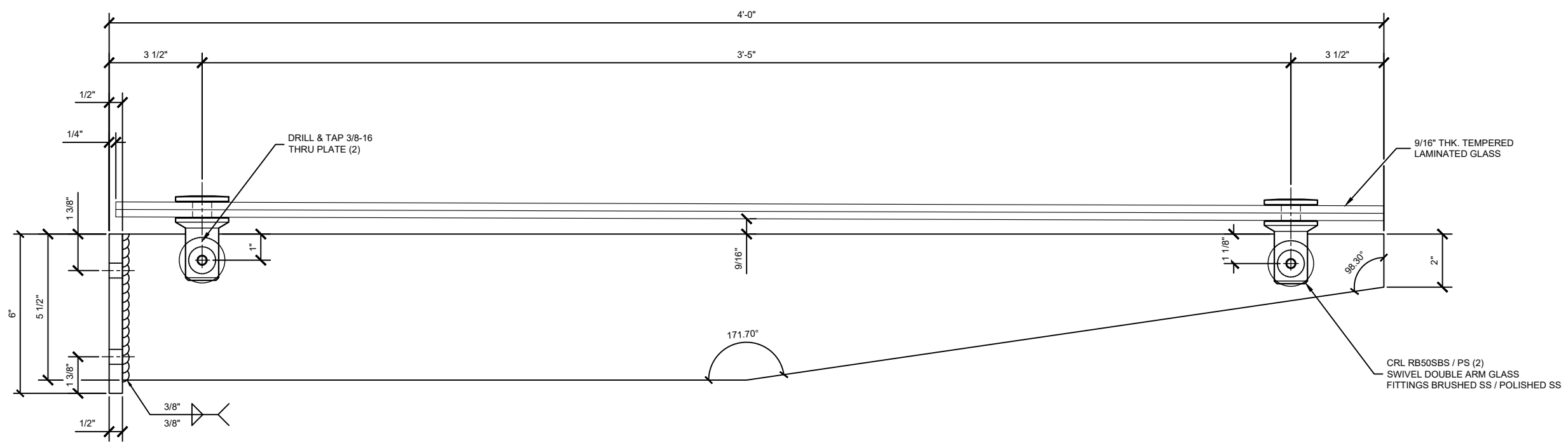
2503 E. Vernon Avenue, Los Angeles, CA 90058-1897
PH: (800)-421-8144 FX: 800-587-7501 www.crlaurence.com

Description:
CRL GAB
GLASS AWNING SUPPORT SYSTEM

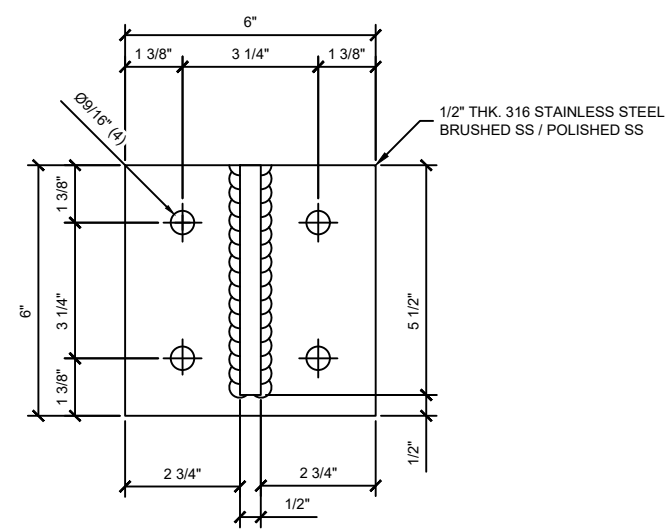
Drawn By:JO
Date: 02/08/2019
Scale: AS NOTED
File Name:
SYS0101A_GAB_WALL_MNT

Sheet

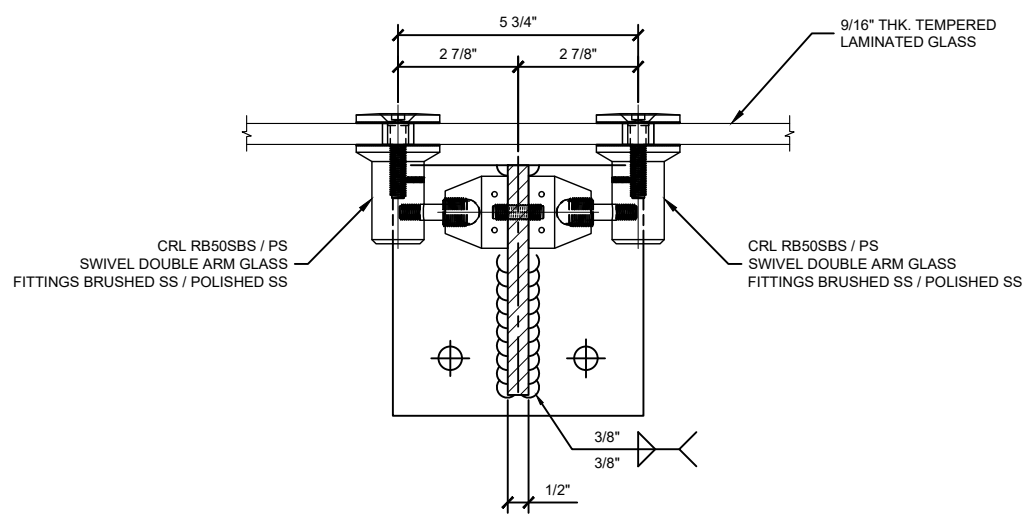
4



1 CRL GAB48 - 48" GLASS AWNING BRACKET Scale: 6" = 1'-0"



2 BASE PLATE DETAIL Scale: 6" = 1'-0"



3 GLASS FITTING DETAIL Scale: 6" = 1'-0"