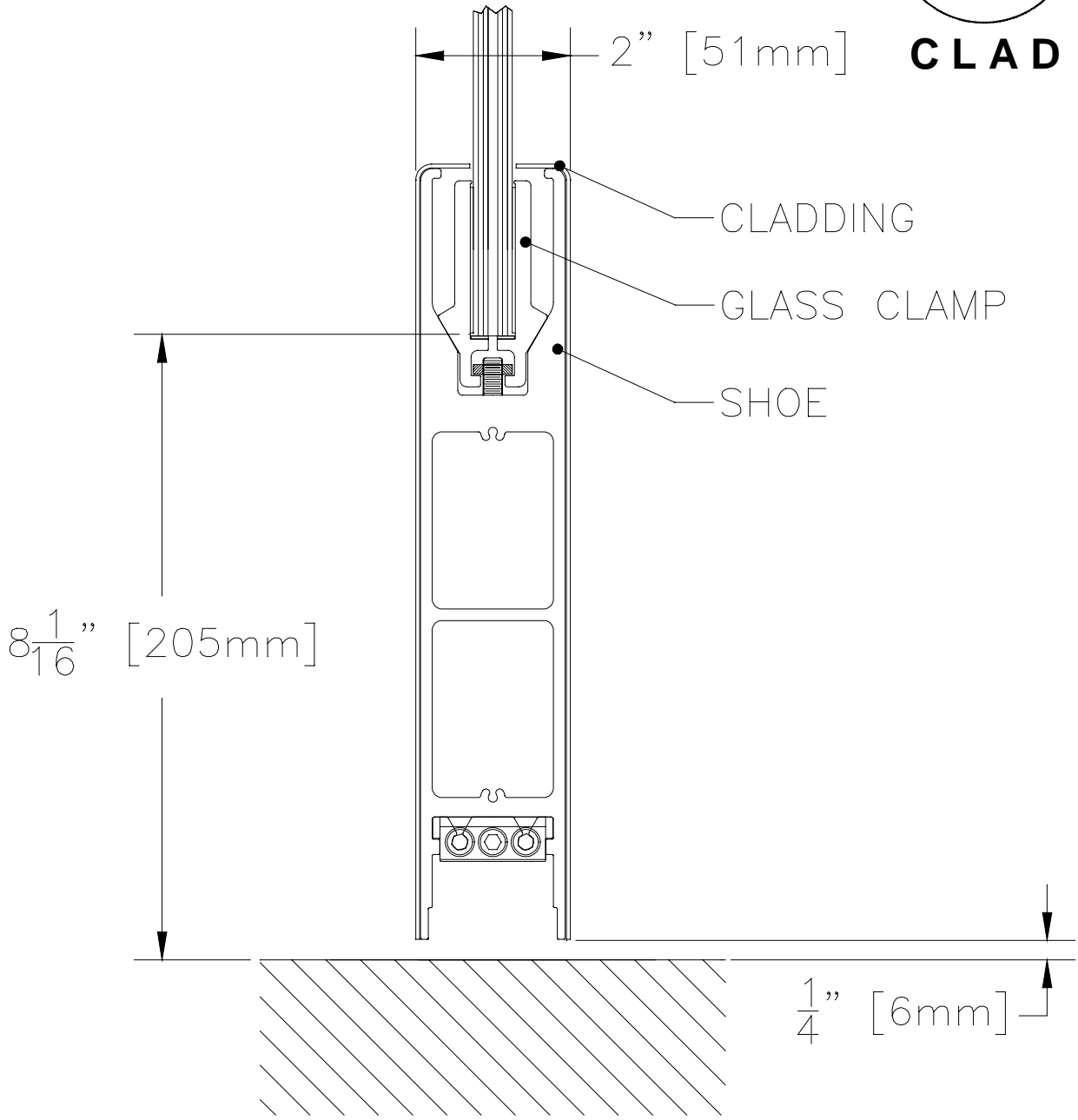


**CLAD**



10" SQUARE DOOR RAIL CLAD

**CAL** DOOR RAIL SYSTEM

C.R. Laurence Architectural Products  
Phone Orders (800) 421-6144  
Fax Orders (800) 262-3299  
WWW.CRLAURENCE.COM  
Patent Pending

10SDRCB