

DRILL & TAP EXISTING STRUCTURE FOR M16x2.0 FASTENER

CRL PMH1BS / PS STAINLESS STEEL SINGLE ARM HEAVY-DUTY POST MOUNT FITTING BRUSHED / POLISHED FINISH

CRL PMH2BS / PS STAINLESS STEEL DOUBLE ARM HEAVY-DUTY POST MOUNT FITTING BRUSHED / POLISHED FINISH

EXISTING STRUCTURAL STEEL

9/16" THK. TEMPERED LAMINATED GLASS

CRL PMH2VBS / PS STAINLESS STEEL DOUBLE ARM "V" HEAVY-DUTY POST MOUNT FITTING BRUSHED / POLISHED FINISH

CRL HSF14BS / PS STAINLESS STEEL SWIVEL HEAD COMBINATION GLASS ATTACHMENT BRUSHED / POLISHED FINISH

CRL PMH4BS / PS STAINLESS STEEL 4-WAY ARM HEAVY-DUTY POST MOUNT FITTING BRUSHED / POLISHED FINISH

Ø1 1/16" CLEAR HOLE, TYP.

1 PLAN - TYPICAL SPIDER FITTING GLASS AWNING SYSTEM Scale: 1 : 5

STRUCTURAL DISCLAIMER:
 ALL CUSTOMERS WHO IN ANY WAY UTILIZE THIS PRODUCT ARE SOLELY RESPONSIBLE TO CONSULT A STRUCTURAL ENGINEER TO DETERMINE THE SUITABILITY OF THE PRODUCT FOR THE INTENDED USE AND SITE CONDITIONS. ALL INSTALLERS MUST BE QUALIFIED AND HAVE PROFESSIONAL KNOWLEDGE ABOUT COMPLIANCE WITH LOCAL, STATE AND FEDERAL REGULATIONS, SAFETY FACTORS, AND THE APPROPRIATE CHOICE OF FIXING MATERIAL AND PROCEDURES.

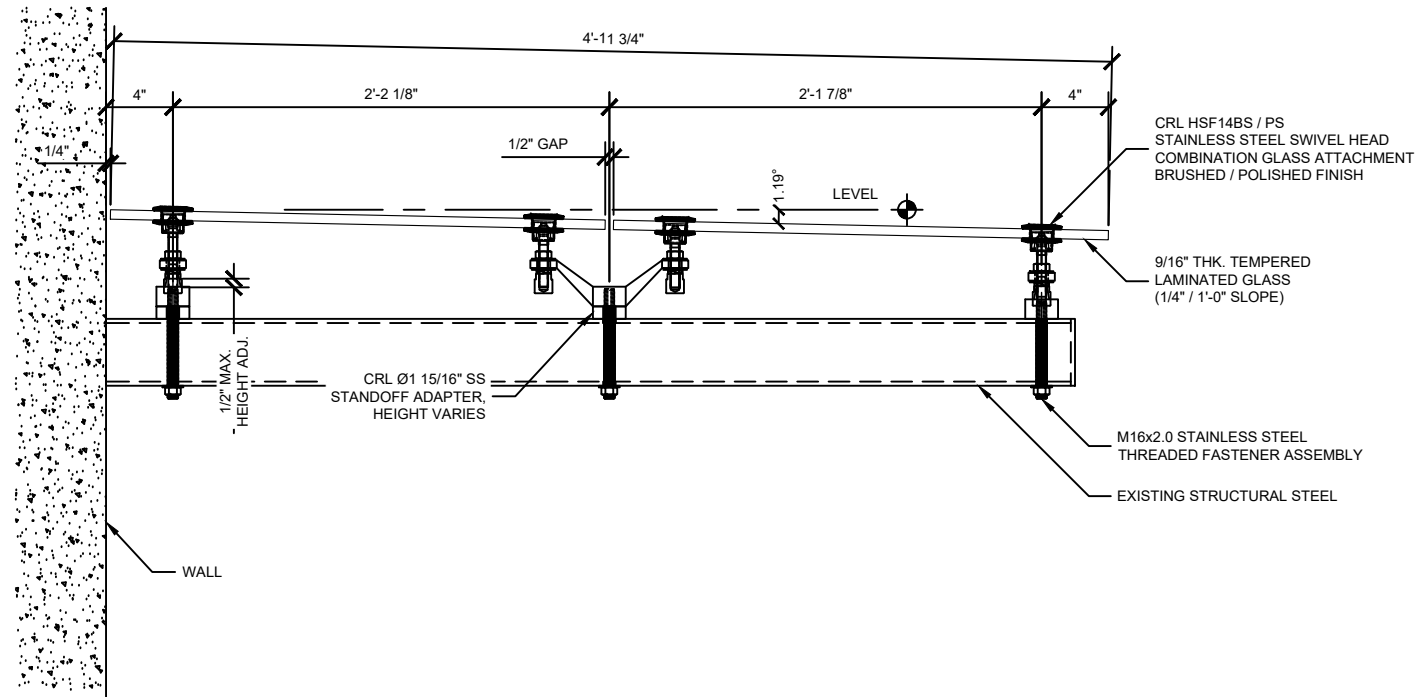
Revisions By:



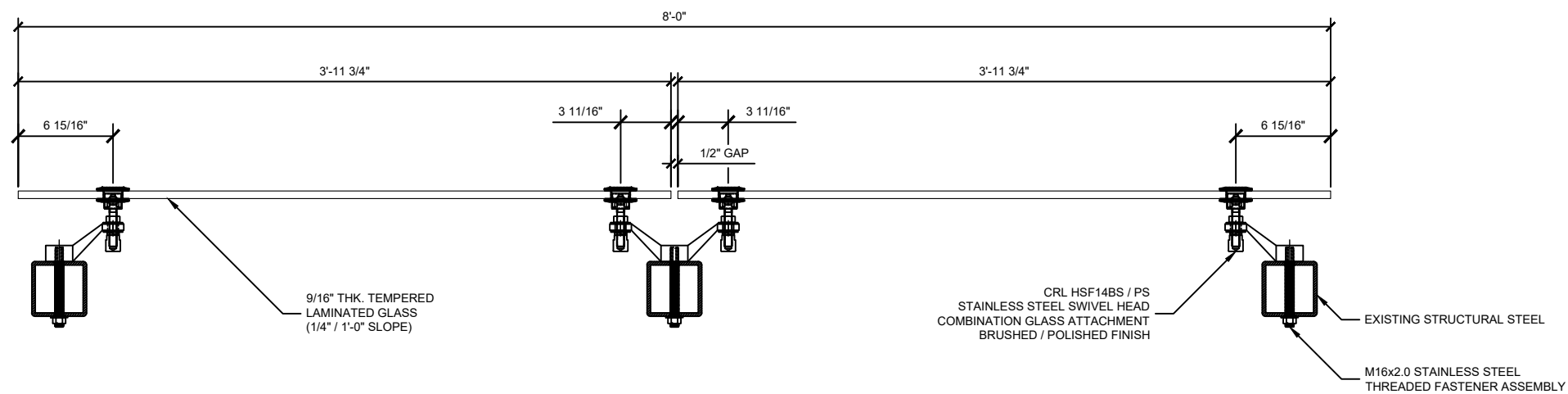
A CRH COMPANY
 2503 E. Vernon Avenue, Los Angeles, CA 90058-1897
 PH: (800)-421-8144 FX: 800-587-7501 www.crlaluminum.com

Description:
 CRL SPIDER FITTING
 GLASS AWNING SYSTEM

Drawn By:JO
 Date: 02/13/2019
 Scale: AS NOTED
 File Name:
 SYS0101C_SPIDER_FITTING_AWNING
 Sheet



1 SECTION - TYPICAL SPIDER FITTING GLASS AWNING SYSTEM
Scale: 1 : 5



2 ELEVATION - TYPICAL SPIDER FITTING GLASS AWNING SYSTEM
Scale: 1 : 5

Revisions By:



2503 E. Vernon Avenue, Los Angeles, CA 90058-1897
PH: (800)-421-8144 FX: 800-587-7501 www.crlaluminum.com

Description:
CRL SPIDER FITTING
GLASS AWNING SYSTEM

Drawn By:JO

Date: 02/13/2019

Scale: AS NOTED

File Name:

SYS0101C_SPIDER_FITTING_AWNING

Sheet

2