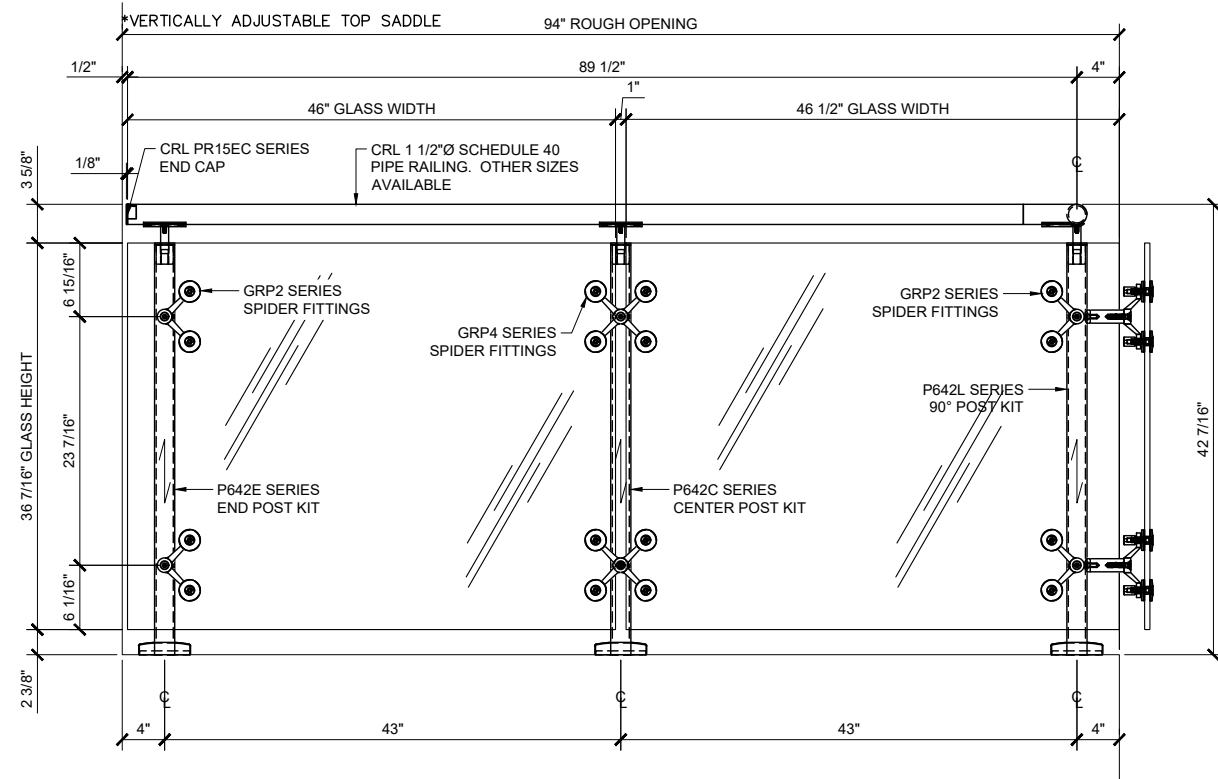


Revisions By:

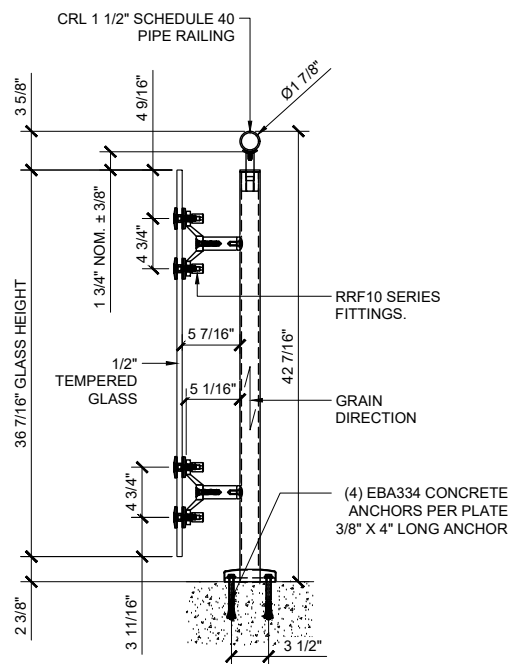
CRL P6 SERIES POST RAILING SYSTEM

- * DESIGNED TO ACCEPT 1/2" TO 27/32" TEMPERED GLASS
- * TOP SADDLE SUPPORTS 1 1/4"Ø (1.66" O.D.) & 1 1/2"Ø (1.90" O.D.) SCHEDULE 40 PIPE RAILING AND 1 1/2"Ø O.D. TUBE RAILING
- * 36" AND 42" STANDARD POST HEIGHTS WITH CUSTOM HEIGHTS AVAILABLE
- * TWO STANDARD STAINLESS STEEL FINISHES BRUSHED OR POLISHED WITH CUSTOM POWDER PAINT FINISHES ALSO AVAILABLE



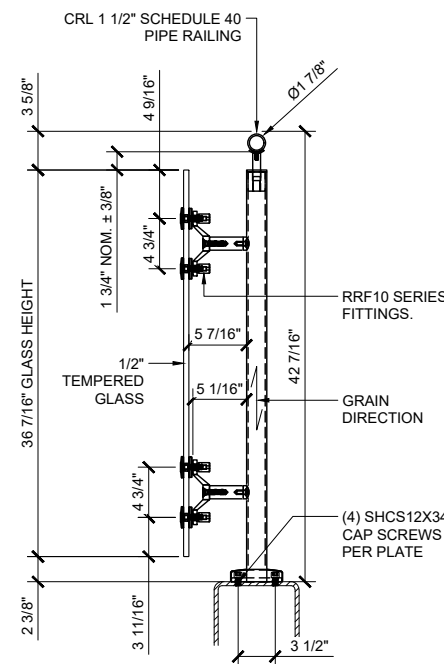
TYPICAL ELEVATION

1 1/2"=1'-0"



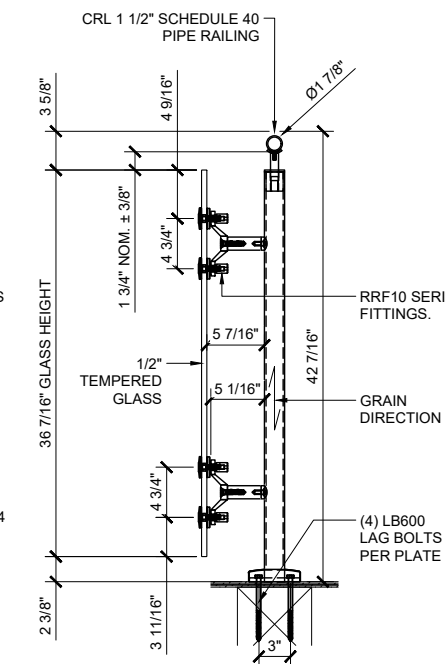
CONCRETE MOUNT

1 1/2"=1'-0"



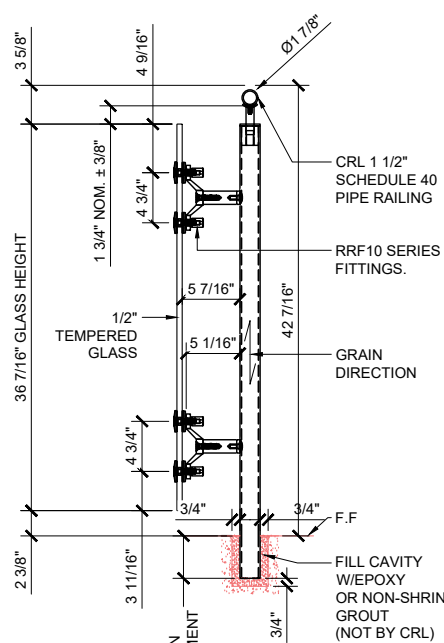
STEEL MOUNT

1 1/2"=1'-0"



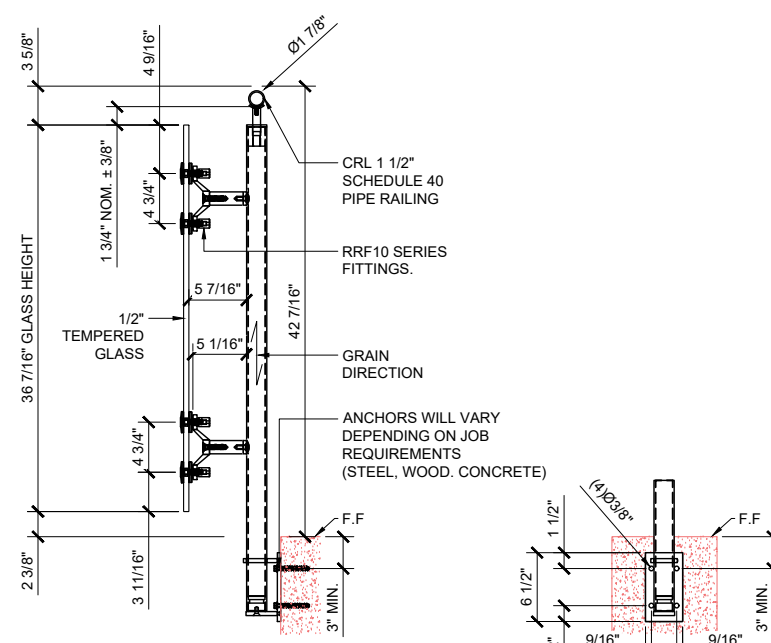
WOOD MOUNT

1 1/2"=1'-0"



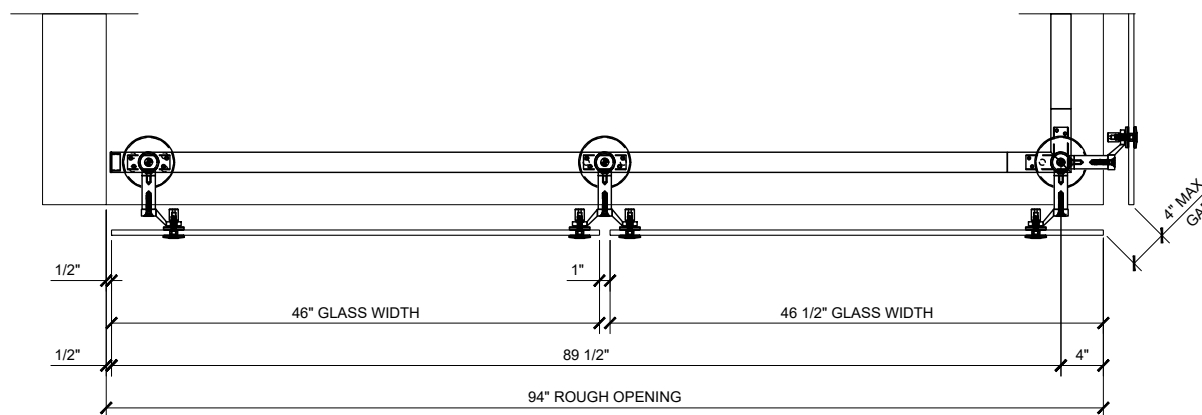
CORE MOUNT

1 1/2"=1'-0"



FASCIA MOUNT

1 1/2"=1'-0"



TYPICAL PLAN VIEW

1 1/2"=1'-0"

Description:
CRL P6 SERIES
POST RAILING SYSTEMS
SYS0071G

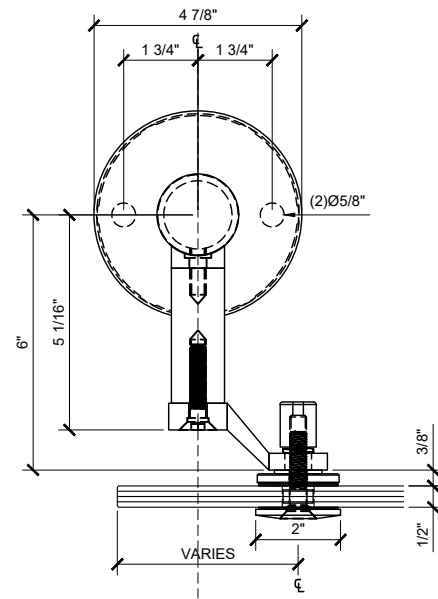
Drawn By: SDH
Date: 03/08/2017
Scale: AS NOTED
File Name:
SYS0071G P6-Series Stainless Steel Post Railing System

Sheet

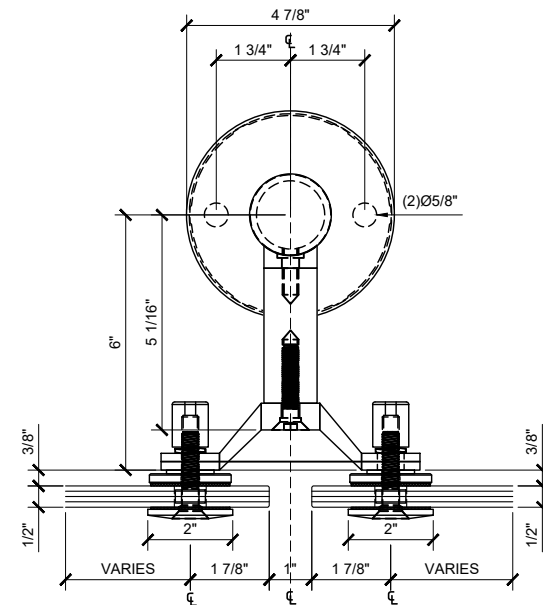
1.01

CRL

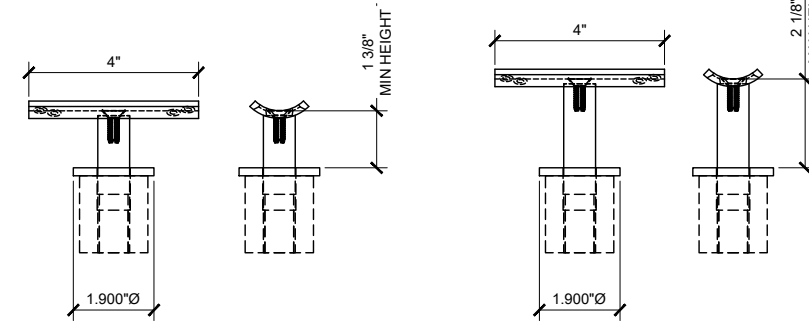
2503 E. Vernon Avenue, Los Angeles, CA 90058-1897
PH (800)-421-6144 FX: 800-587-7501 www.crlaurence.com



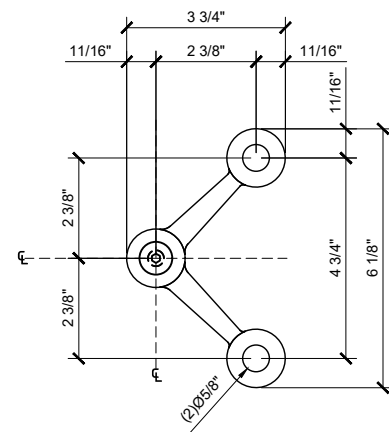
GRP2 SERIES SPIDER FITTING W/RRF10
6"=1'-0"



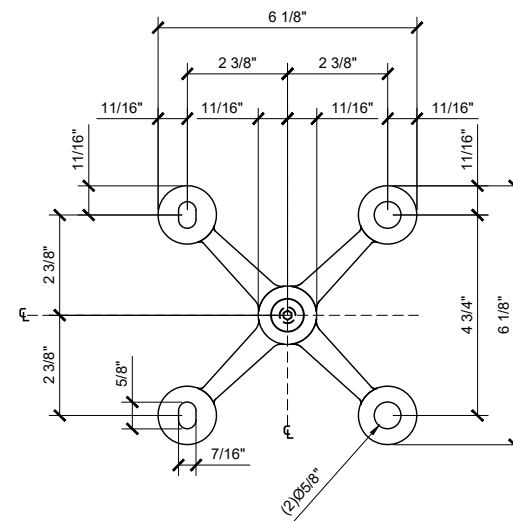
GRP4 SERIES SPIDER FITTING W/RRF10
6"=1'-0"



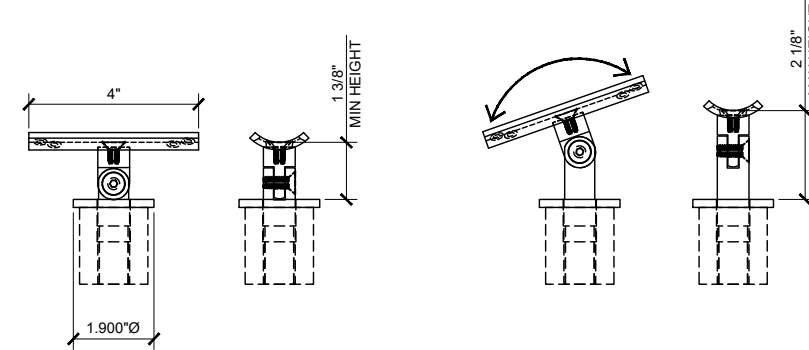
P7VF W/PRS1
STANDARD VERTICAL ADJ
STANDOFF SADDLE 6"=1'-0"



GRP2 SERIES SPIDER FITTING
6"=1'-0"



GRP4 SERIES SPIDER FITTING
6"=1'-0"



P7VF W/PRS1
OPTIONAL VERTICAL / SWIVEL
STANDOFF SADDLE 6"=1'-0"

Revisions By:

CRL.

2503 E. Vernon Avenue, Los Angeles, CA 90058-1897
PH (800)-421-6144 FX: 800-587-7501 www.crlaurence.com

Description:
CRL P6 SERIES
POST RAILING SYSTEMS
SYS0071G

Drawn By: SDH
Date: 03/08/2017
Scale: AS NOTED
File Name:
SYS0071G P6-Series Stainless Steel Post Railing System

Sheet

2.01