

SERIES 487 CENTER GLAZED OFFICE PARTITIONS OHCC OVERHEAD CONCEALED CLOSER INSTALLATION



TABLE OF CONTENTS

PARTS LIST 2

INTRODUCTION 3

CONFIGURATION OPTIONS 3

OHCC DOOR INSTALLATION 4

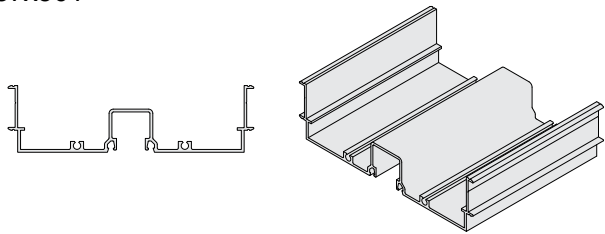
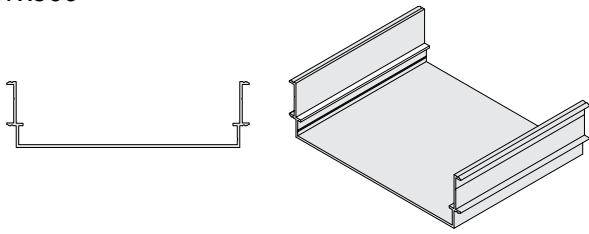
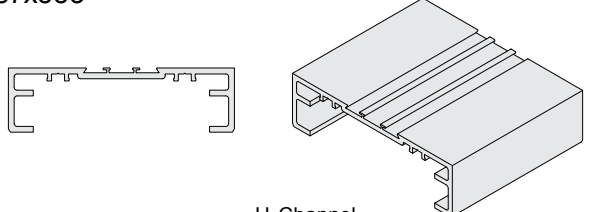
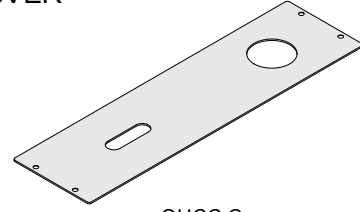
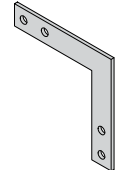
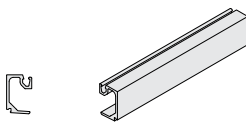
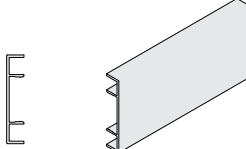
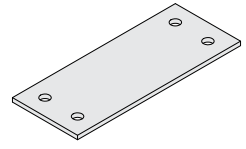

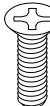
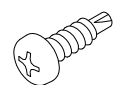
OHCC TRANSOM DOOR INSTALLATION 5

TRANSOM GLAZING 6

TRIM INSTALLATION 6

CLOSER COVER INSTALLATION 6

PARTS LIST

<p>487x501</p>  <p>Transom Header and Jamb</p>		<p>487x509</p>  <p>Door Header and Jamb</p>	
<p>487x553</p>  <p>U-Channel</p>		<p>0HCCC0VER</p>  <p>OHCC Cover</p>	
<p>487C1</p>  <p>Corner Clip</p>	<p>M740</p>  <p>Transom Glass Stop</p>	<p>487x002</p>  <p>Two Inch Trim Strip</p>	<p>0HCCCBLOCK</p>  <p>OHCC Block (Factory Installed)</p>
 <p>#8-32 x 3/16" FH SMS (Install Cover)</p>		 <p>#10 x 3/8" FH SMS (Mount OHCC to U-Channel)</p>	
		<p>20061601</p>  <p>6 - 20 x 1/2" PHP</p>	

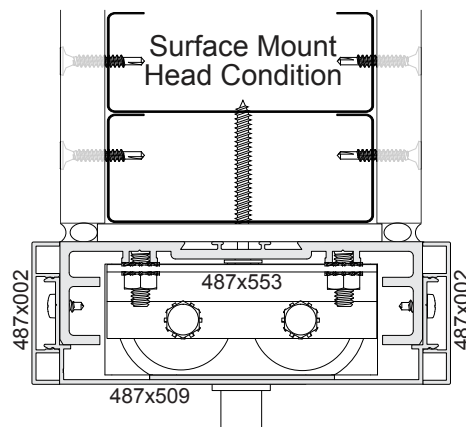
INTRODUCTION

OHCC, Overhead Concealed Closer, may be used with the 487 Series in the configurations shown below. This manual covers the basic OHCC installation process. Refer to the manuals for your particular closer model and 487 System for specifications and detailed instructions.

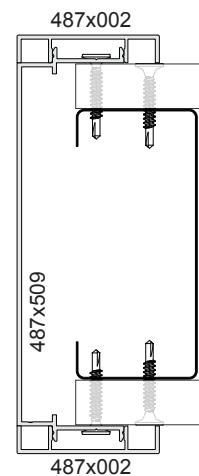
CONFIGURATION OPTIONS

	Applications	Trim Options
OHCC Center Pivot	Up and Over Frame	Two Inch Trim
	Transom Frame	Two Inch Trim

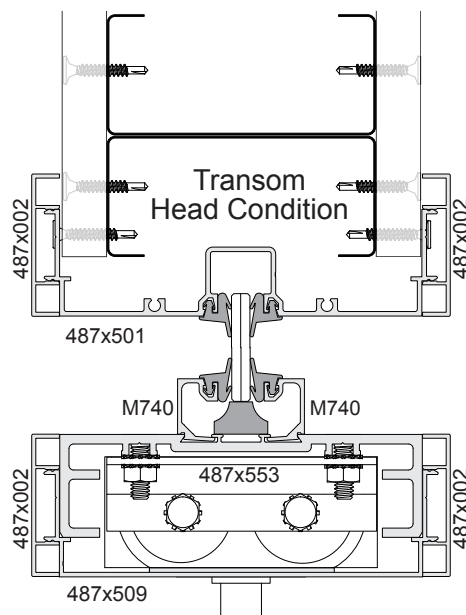
Up and Over Frame



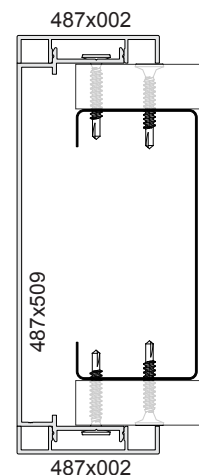
Jamb Condition



Transom Frame



Jamb Condition



OHCC DOOR INSTALLATION

NOTE: For general reference only. Refer to your Shop Drawings and 487 Series Manual for detailed instructions before beginning.

- 1 Mount OHCC to 487x553 U-Channel.

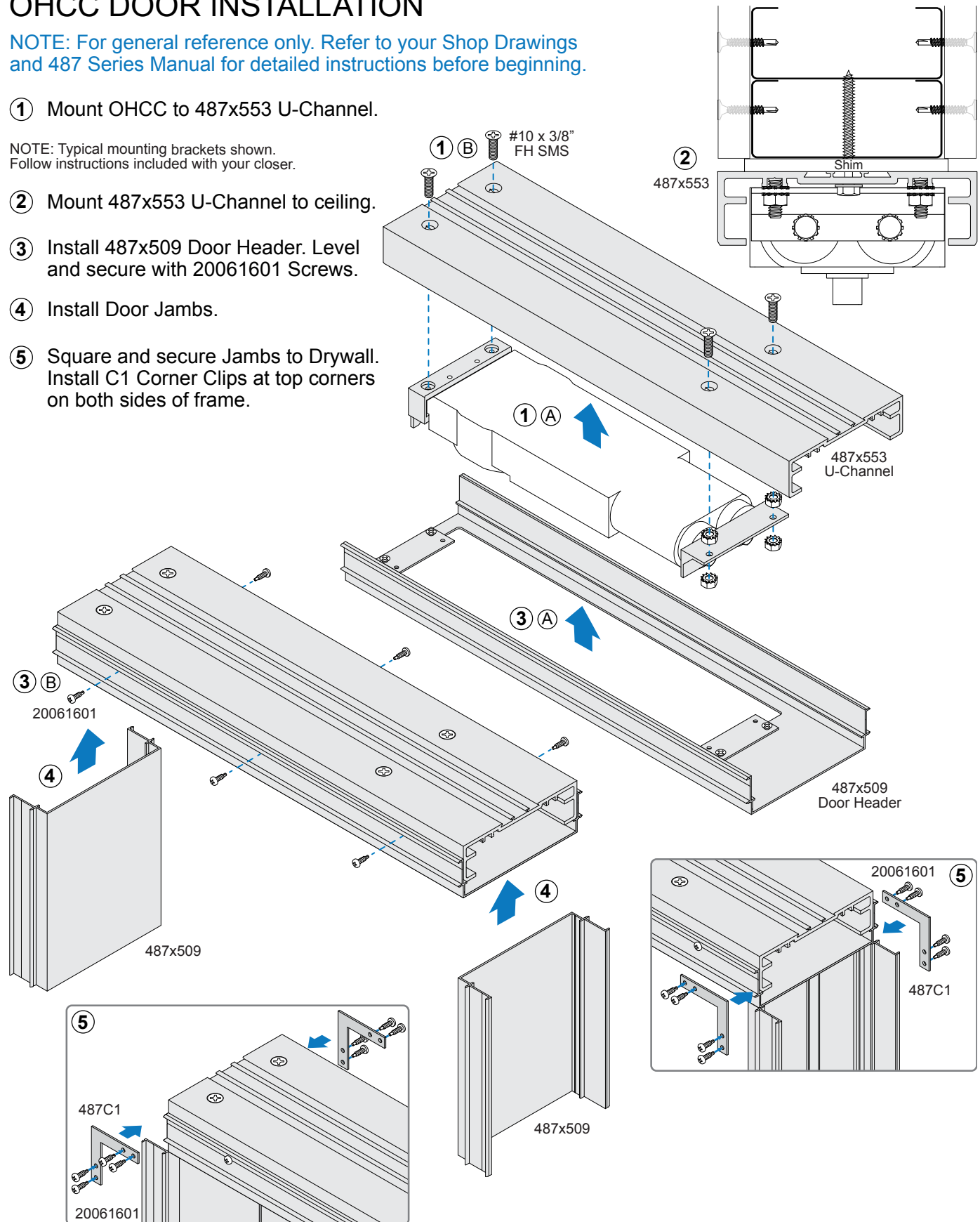
NOTE: Typical mounting brackets shown. Follow instructions included with your closer.

- 2 Mount 487x553 U-Channel to ceiling.

- 3 Install 487x509 Door Header. Level and secure with 20061601 Screws.

- 4 Install Door Jambs.

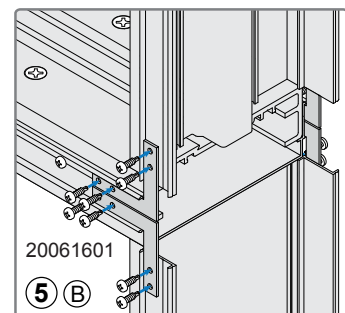
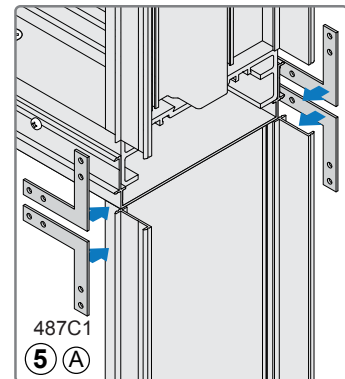
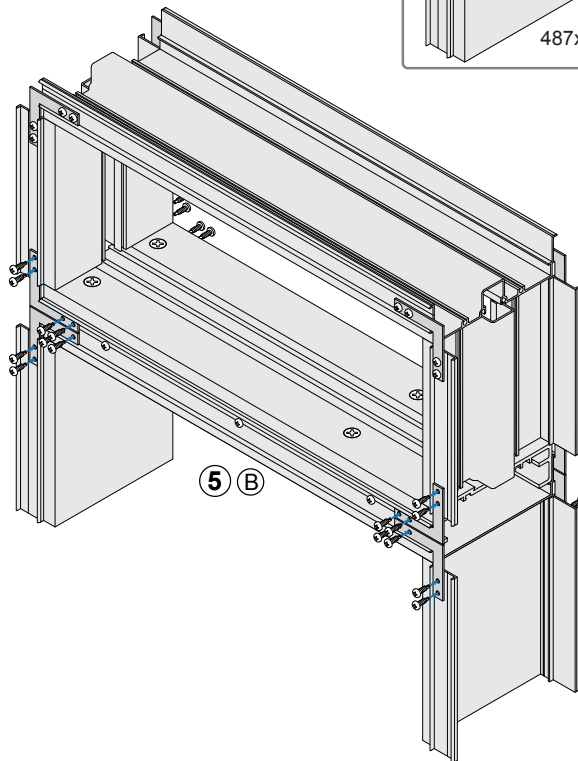
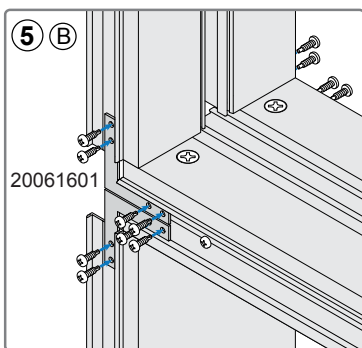
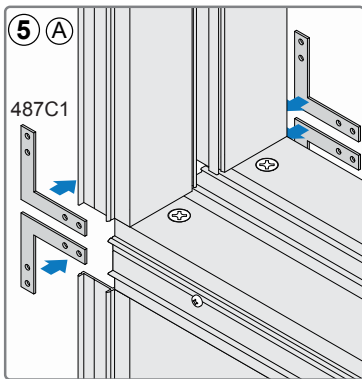
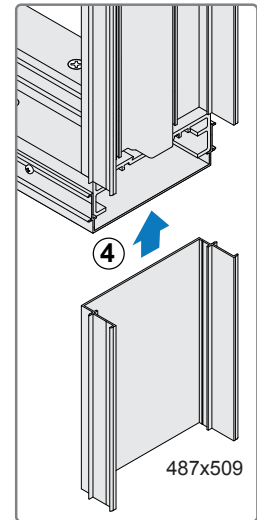
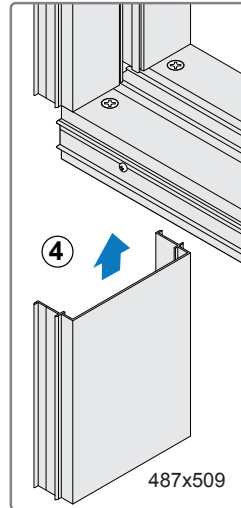
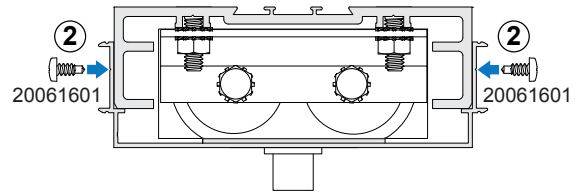
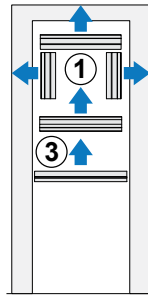
- 5 Square and secure Jambs to Drywall. Install C1 Corner Clips at top corners on both sides of frame.



OHCC TRANSOM DOOR INSTALLATION

NOTE: For general reference only. Refer to your Shop Drawings and 487 Series Manual for detailed instructions before beginning.

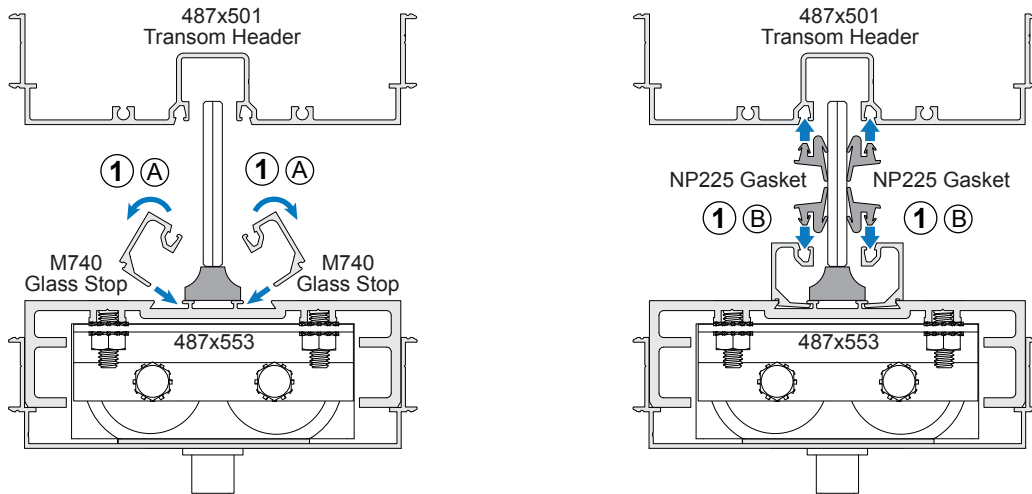
- ① Position Transom Header and Jambs in opening. Temporarily hold in place.
- ② Follow Steps 1 and 3 on Page 4 to create door header assembly.
- ③ Move door header assembly into proper position under transom jambs, temporarily hold in place.
- ④ Move 487x509 Door Jambs into position under door header. Square and secure entire frame to drywall.
- ⑤ Confirm proper closer spindle position and secure Door Header Assembly using 487C1 Clips.



TRANSOM GLAZING

NOTE: For general reference only. Refer to your 487 Series Manual for detailed instructions before beginning.

- 1 Position transom glass into transom frame and secure with proper glass stops and glazing gaskets for your thickness of glass. (1/4" glass used in illustration)



TRIM INSTALLATION

- 2 Refer to your 487 Series Manual to notch and install trim strips.

CLOSER COVER INSTALLATION

- 3 Install OHCCC0VER Closer Cover.

