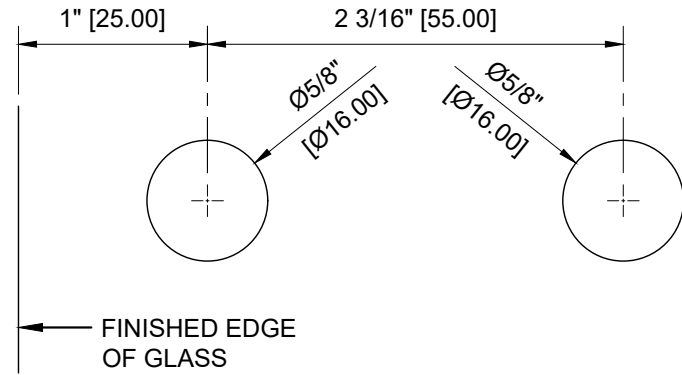
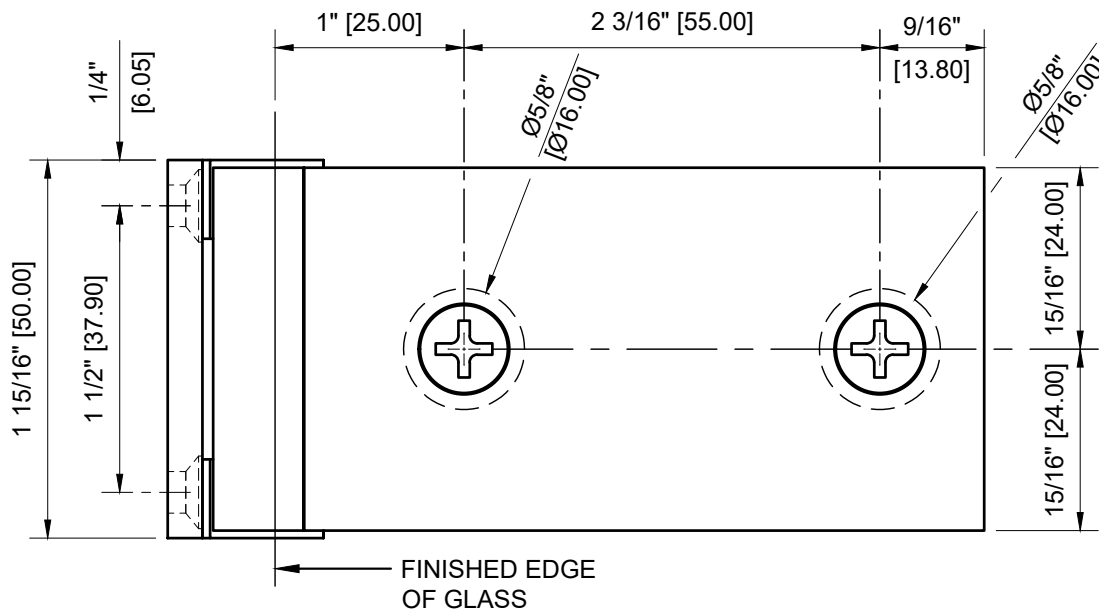
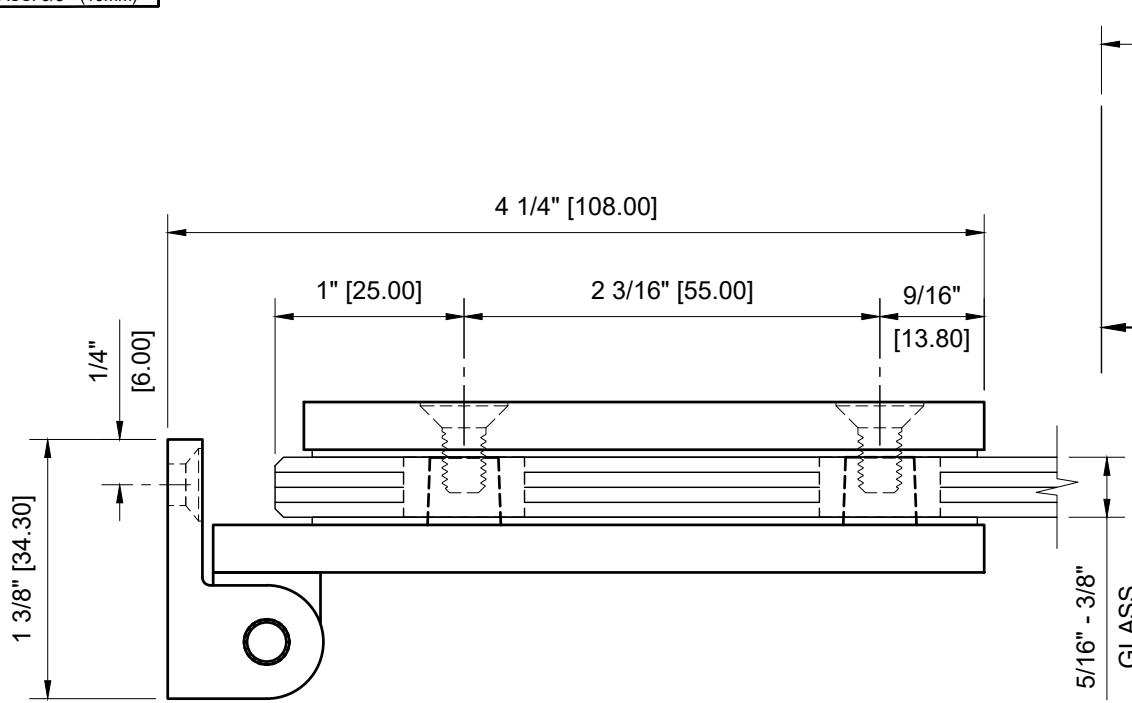
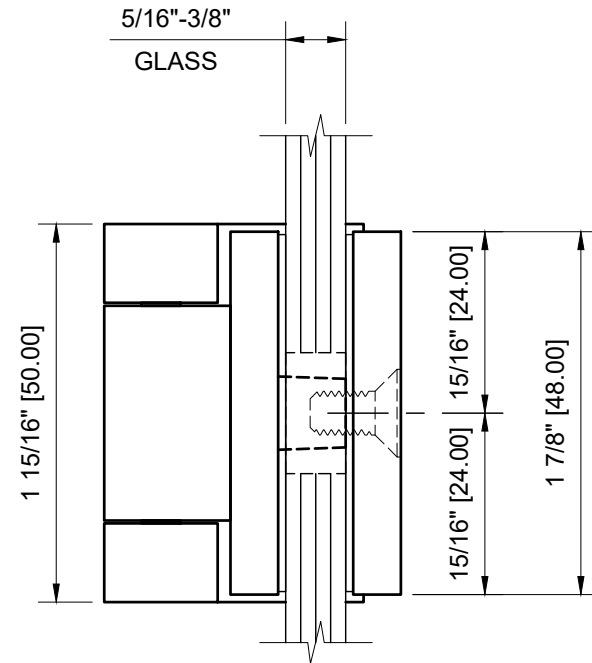


GLASS: 5/16" (8mm)
 GLASS: 3/8" (10mm)



GLASS FABRICATION TEMPLATE



CRL - FA044 MID-SIZE PATCH FITTING FOR 3/8" FREE SWING OFFSET PIVOT HINGE FOR 5/16" - 3/8" GLASS

DATE: 9-25-2020
 SCALE: 1'-0"=1'-0"
 DRAWN BY: VM

DESCRIPTION: CRL - FA044
 MID-SIZE PATCH FITTING FREE SWING
 OFFSET PIVOT HINGE

C.R. LAURENCE CO. ARCHITECTURAL PRODUCTS
 2503 E. Vernon Avenue, Los Angeles, CA 90058-1897
 PH (800)-421-6144 FX: 800-587-7501 www.crlaurence.com

