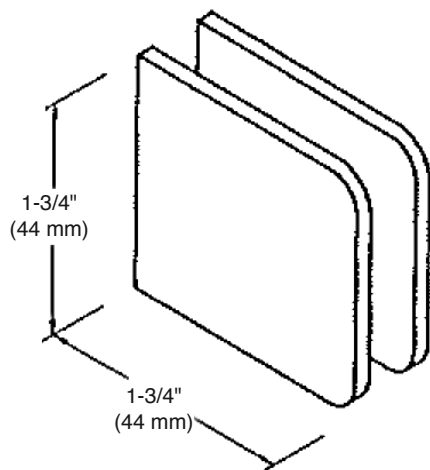
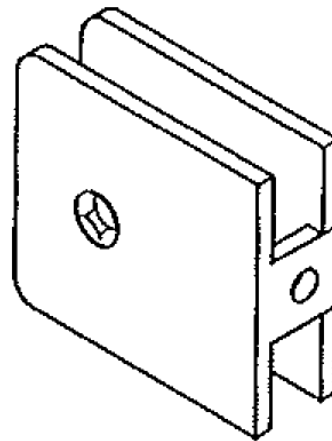


SHORIZON®

GLASS CLAMPS
FIXED PANEL U-CLAMP
CAT. NO. CEGTW



FRONT VIEW



REAR VIEW

Specifications:

Material: Solid Brass

Glass Thickness Range: 5/16" (8 mm) to 1/2" (12 mm)

Hole Size Required: 5/8" (16 mm) or 3/4" (19 mm)

Includes: Mounting screws and gaskets

Note: An additional set of gaskets is required for 5/16" (8 mm) glass.

Template Shown on Next Page

NOTE: DRAWINGS NOT TO SCALE.

AUGUST/2016

ushorizon.com

28539 INDUSTRY DRIVE, VALENCIA, CA 91355

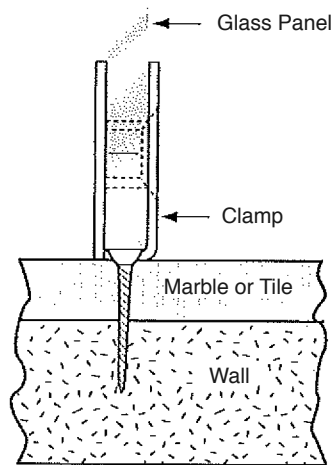
Toll Free Phone: **(877) 728-3874** Toll Free Fax: **(888) 440-9567**

Phone: **(661) 775-1675** Fax: **(661) 775-1676**

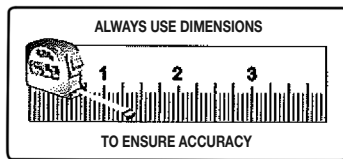
SHORIZON®

GLASS CLAMPS FIXED PANEL U-CLAMP CAT. NO. CEGTW

TYPICAL INSTALLATION

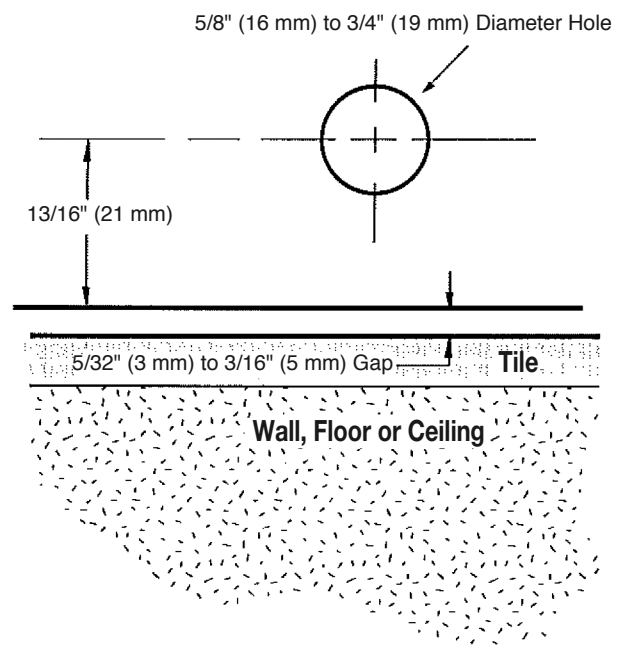


END VIEW



TEMPLATE

Important: Project measurements from the edge of the glass.



4X-2

NOTE: DRAWINGS NOT TO SCALE.