

# C.R. LAURENCE CO. INC

## Installation Instructions

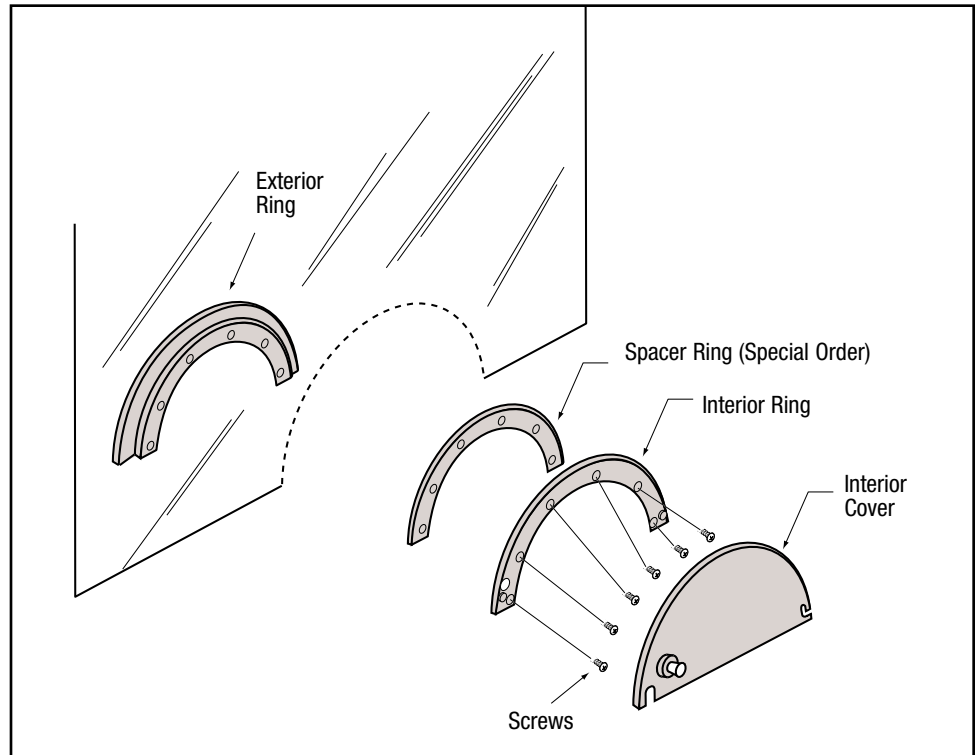
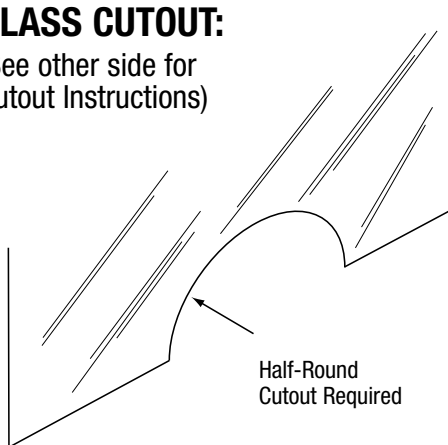
720, 723 and 725 Series Half-Round Ticket Windows

### CONTENTS:

- 1 - Assembled Half-Round Ticket Window
- 1 - Glass Cutout Template
- 1 - Instruction Sheet

### GLASS CUTOUT:

(See other side for Cutout Instructions)



### INSTALLATION SEQUENCE

### INSTALLATION INSTRUCTIONS – Read all instructions before starting installation!

1. Remove interior cover.
2. Remove screws, and separate interior and exterior rings.
3. Place exterior ring in glass cutout from the exterior side.
4. Place interior ring in glass cutout from the interior side.\*
5. Insert screws through interior ring and tighten.▲
6. Attach interior cover to complete installation.■

\* Installation of Half-Round Ticket Windows in glazing panels thicker than 1/4" require spacer rings and longer screws (special order). Specify glazing panel thickness when ordering.

▲ If the unit is loose after tightening screws, packing may be required (not supplied with unit). Common packing methods are putty, putty tape, butyl tape and foam tape.

■ For best results swing cover open and closed perpendicular to counter. Pulling cover toward the operator can result in pivot pin failure.

(See other side for Cutout Instructions)

transaction@crlaurence.com • Toll Free (800) 421-6144 Ext. 7760 • Fax (800) 262-3299

CALL TOLL FREE FROM ANYWHERE IN THE U.S.A. AND CANADA • ALL PRODUCTS F.O.B. NEAREST WAREHOUSE

AVD3414 REV07/09

# C.R. LAURENCE CO. INC

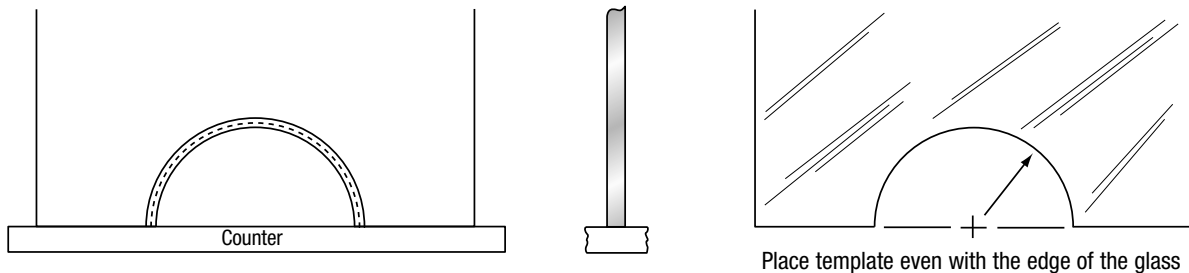
## Installation Instructions

### 720, 723 and 725 Series Half-Round Ticket Windows

**CUTOUT:** Read the three types of installations listed below before using the enclosed glass cutout template.

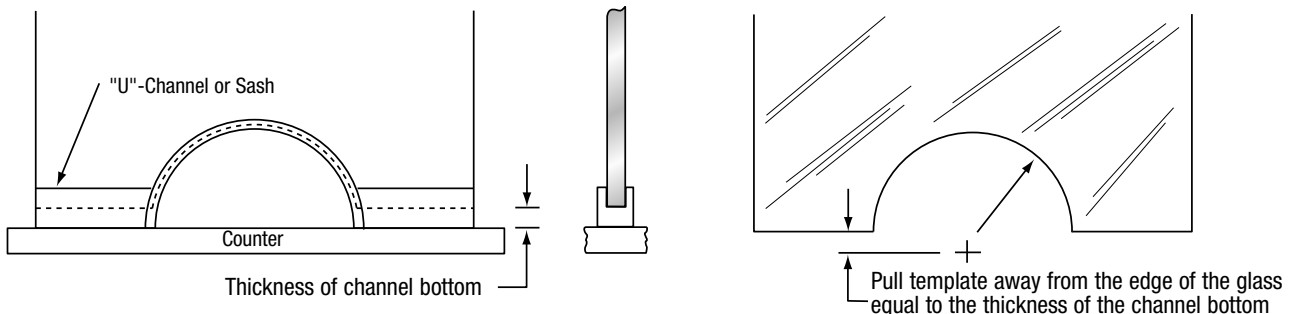
#### TYPE A INSTALLATION: GLASS IS SETTING ON TOP OF THE COUNTER

On installations where the glass is setting on top of the counter, take the enclosed template and place the edge of the template even with the edge of the glass, and make the cutout.



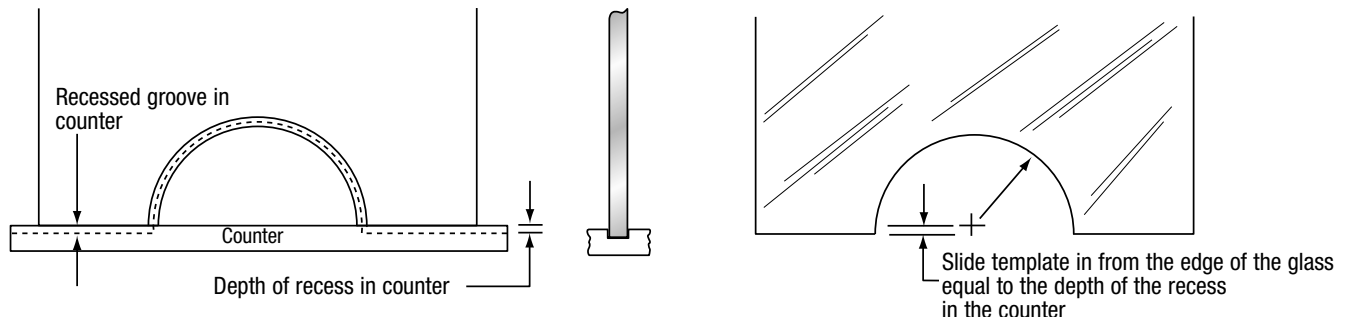
#### TYPE B INSTALLATION: GLASS IS SETTING IN "U"-CHANNEL ON TOP OF THE COUNTER

On installations where the glass is setting in a "U"-Channel or metal sash on top of the counter, take the enclosed template and pull it away from the edge of the glass equal to the thickness of the bottom of the "U"-Channel or sash you are using, and make the cutout.



#### TYPE C INSTALLATION: GLASS IS SETTING IN A RECESSED GROOVE IN THE COUNTER

On installations where the glass is setting in a recessed groove in the counter, take the enclosed template and push it in from the edge of the glass equal to the depth of the recess in the counter, and make the cutout.



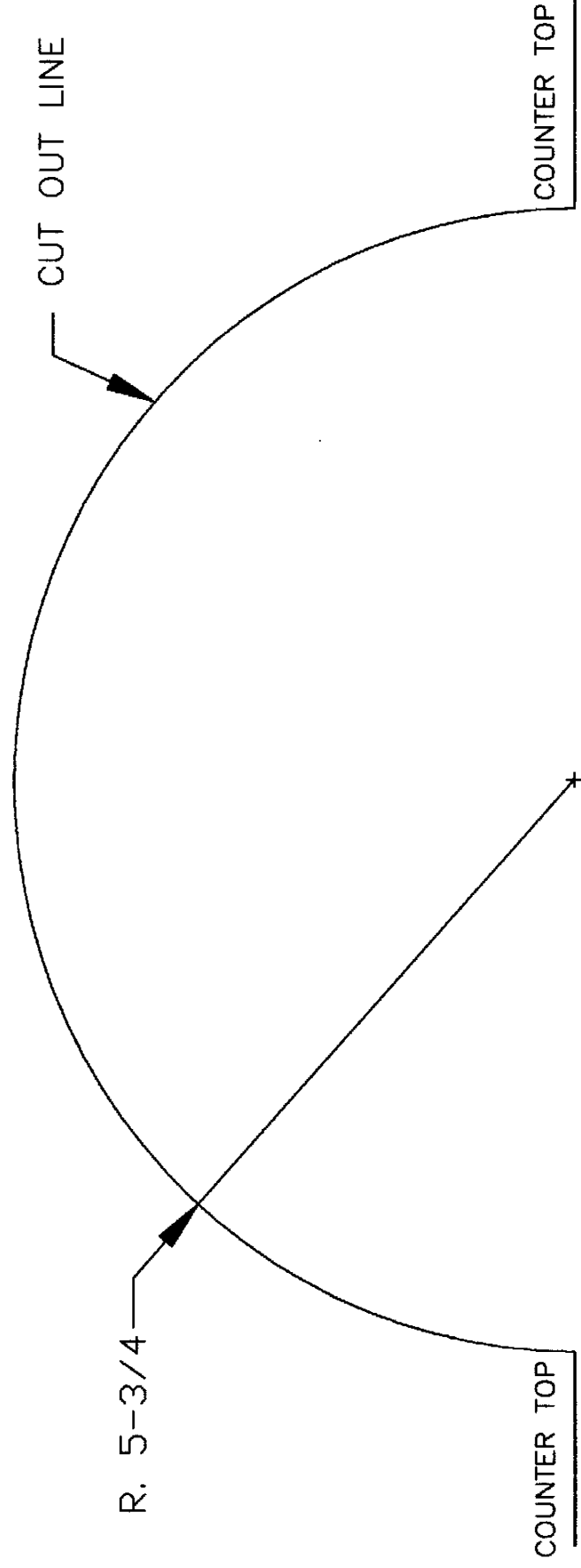
(See other side for Installation Instructions)

transaction@crlaurence.com • Toll Free (800) 421-6144 Ext. 7760 • Fax (800) 262-3299

CALL TOLL FREE FROM ANYWHERE IN THE U.S.A. AND CANADA • ALL PRODUCTS F.O.B. NEAREST WAREHOUSE



725 TICKET WINDOW  
GLASS CUT OUT TEMPLATE



DRAWING FILE: 725T  
REVISION -00  
DATE: 10/22/1997

**NOTICE: DO NOT USE THIS  
DRAWING AS A TEMPLATE.  
USE ONLY FOR DIMENSIONS.**