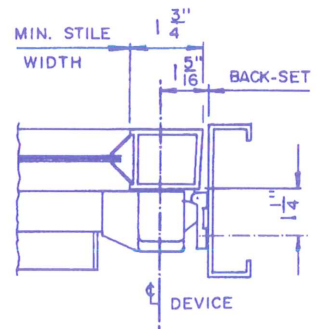
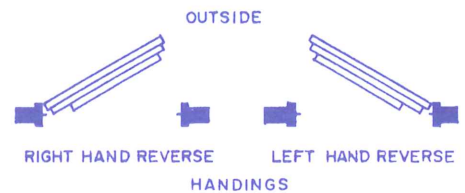
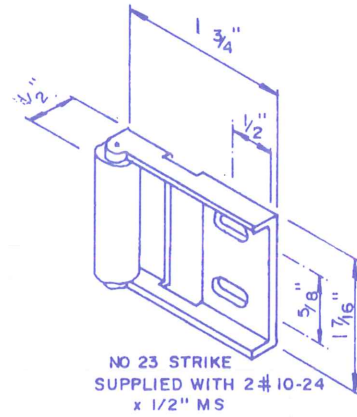


NOTES

1. RHR SHOWN, LHR OPPOSITE
2. REFER TO CYL. MANUFACTURER'S TEMPLATE TO CONFIRM SIZES SHOWN
3. FOR DOORS LESS THAN 36", CUT BAR TO SUIT
4. MIN. DOOR WIDTH = 30"



ALUM. DR & FRAME WITH NO.23 STRIKE



LOCKWOOD™

LOCKWOOD INDUSTRIES INC.
1100 Corporate Drive
Burlington, ON L7L 5R6

SINCE
1878

DRAWN
BY:

BDS

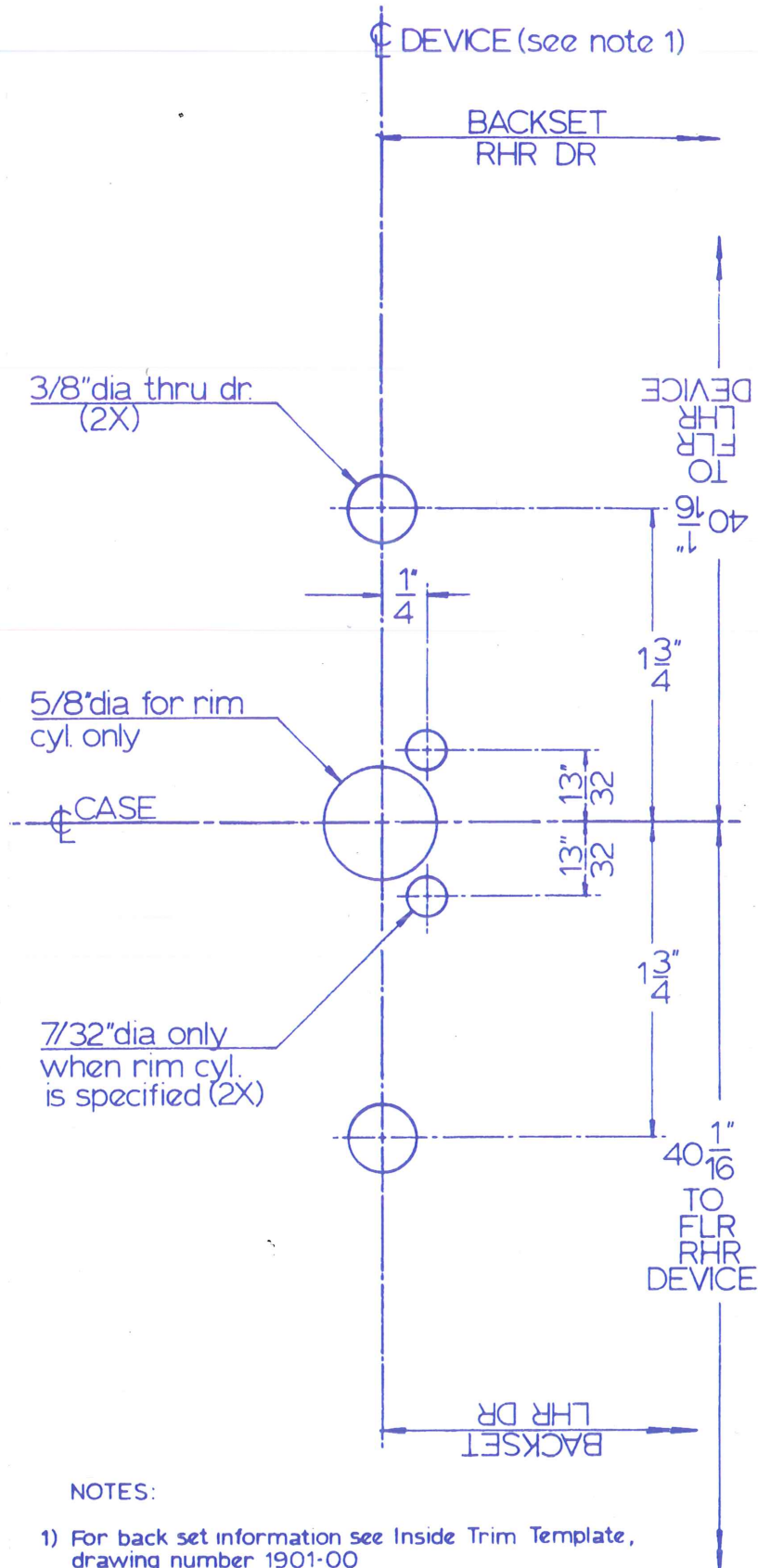
ISSUE
DATE:

JAN 1989

DWG.
NO.:

1901-00

N1900 SERIES EXIT DEVICE
INSIDE AND OUTSIDE TRIM TEMPLATE
NARROW STILE ALUMINUM DOORS AND FRAMES



NOTES:

- 1) For back set information see Inside Trim Template, drawing number 1901-00
- 2) For outside trim requirements see drawing number 1901-00

LOCKWOOD™

N1900 SERIES ACTIVE CASE
SPOTTING TEMPLATE

DRAWN BY: BDS	ISSUE DATE: Jan 1989	DWG. NO.: 1931-00
----------------------	-----------------------------	--------------------------