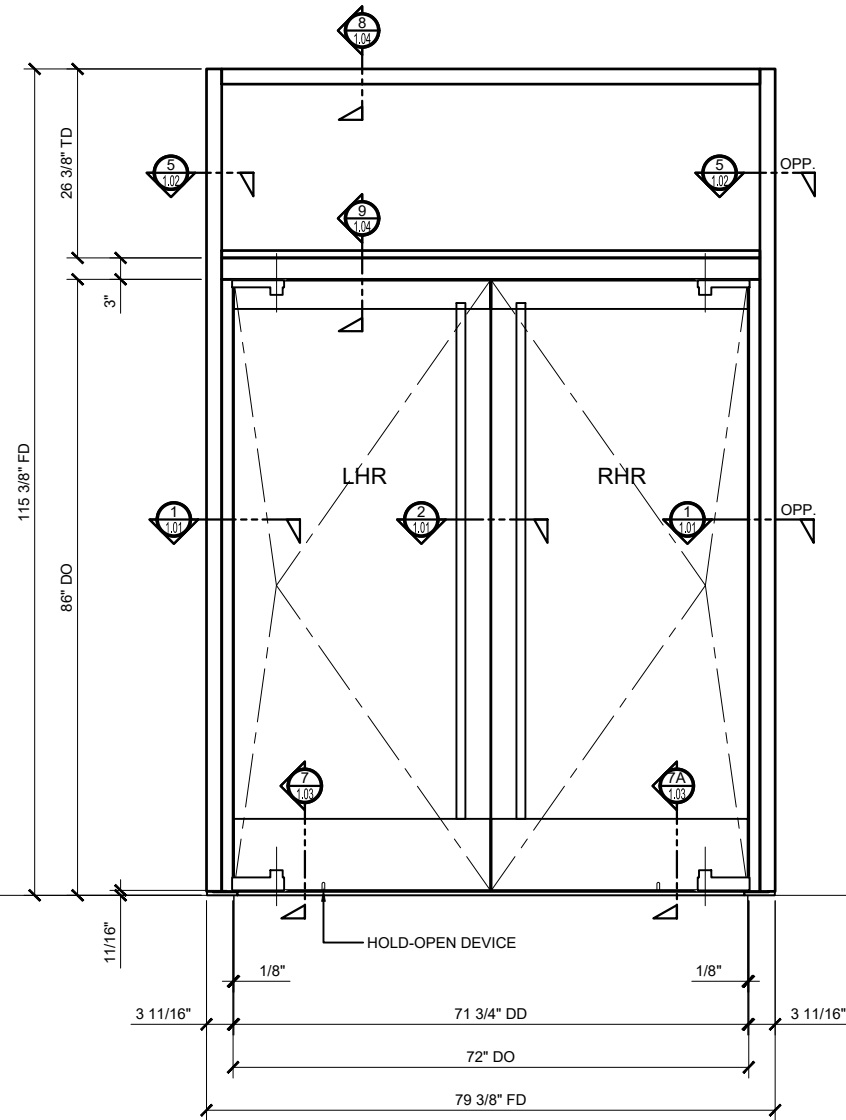
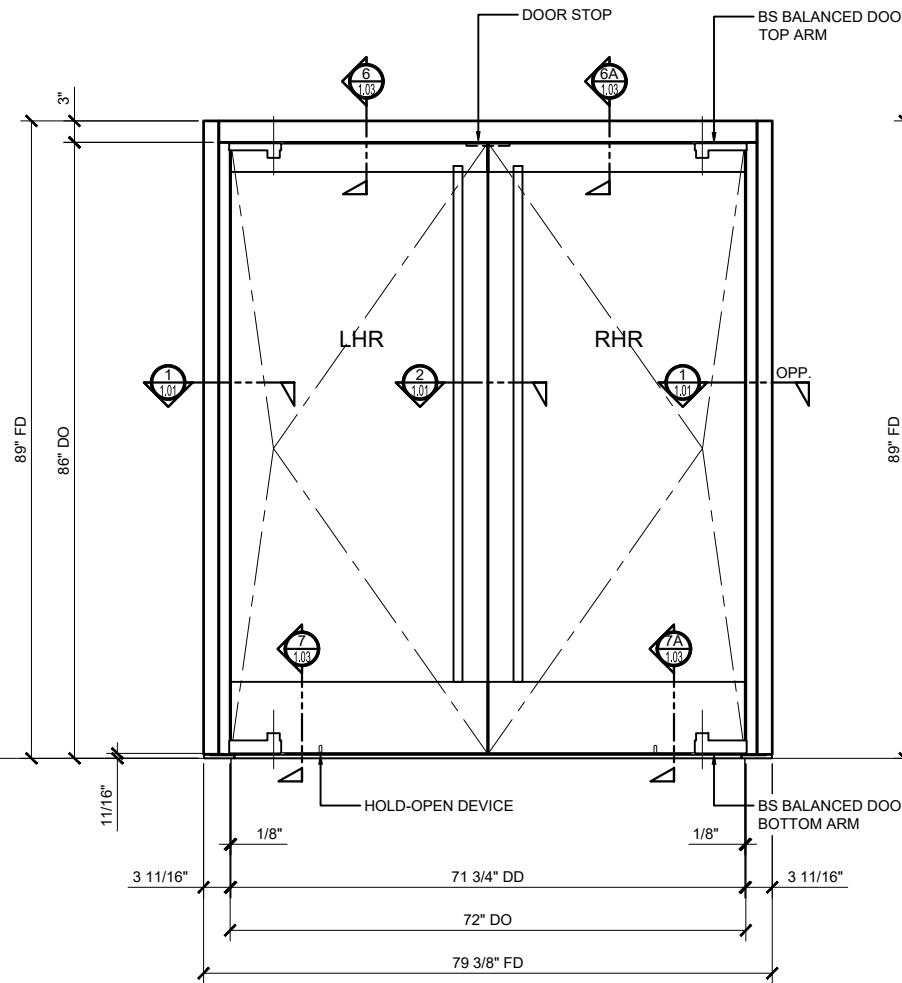


CRL BALANCER SERIES BALANCED DOOR
ALUMINUM CLAD ALL GLASS WITH CONCEALED SHAFT

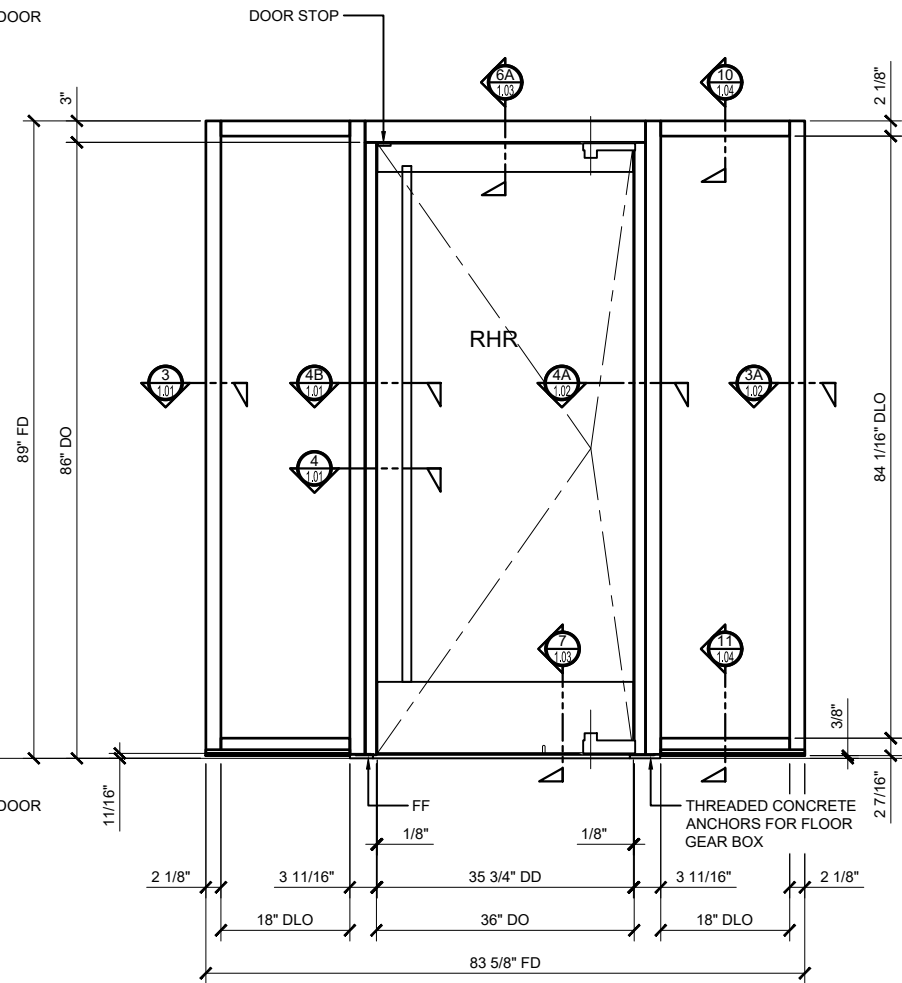
STRUCTURAL DISCLAIMER:
 ALL CUSTOMERS WHO IN ANY WAY UTILIZE THIS PRODUCT ARE SOLELY RESPONSIBLE TO CONSULT A STRUCTURAL ENGINEER TO DETERMINE THE SUITABILITY OF THE PRODUCT FOR THE INTENDED USE AND SITE CONDITIONS. ALL INSTALLERS MUST BE QUALIFIED AND HAVE PROFESSIONAL KNOWLEDGE ABOUT COMPLIANCE WITH LOCAL, STATE AND FEDERAL REGULATIONS, SAFETY FACTORS, AND THE APPROPRIATE CHOICE OF FIXING MATERIAL AND PROCEDURES.



CRL BALANCER SERIES BALANCED DOOR
ALUMINUM CLAD ALL GLASS WITH CONCEALED SHAFT
PAIR DOORS WITH TRANSOM ELEVATION

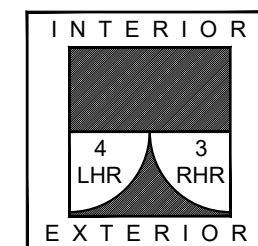


CRL BALANCER SERIES BALANCED DOOR
ALUMINUM CLAD ALL GLASS WITH CONCEALED SHAFT
PAIR DOORS ELEVATION



CRL BALANCER SERIES BALANCED DOOR
ALUMINUM CLAD ALL GLASS WITH CONCEALED SHAFT
SINGLE DOOR WITH SIDELITE ELEVATION

DOOR SWING CHART



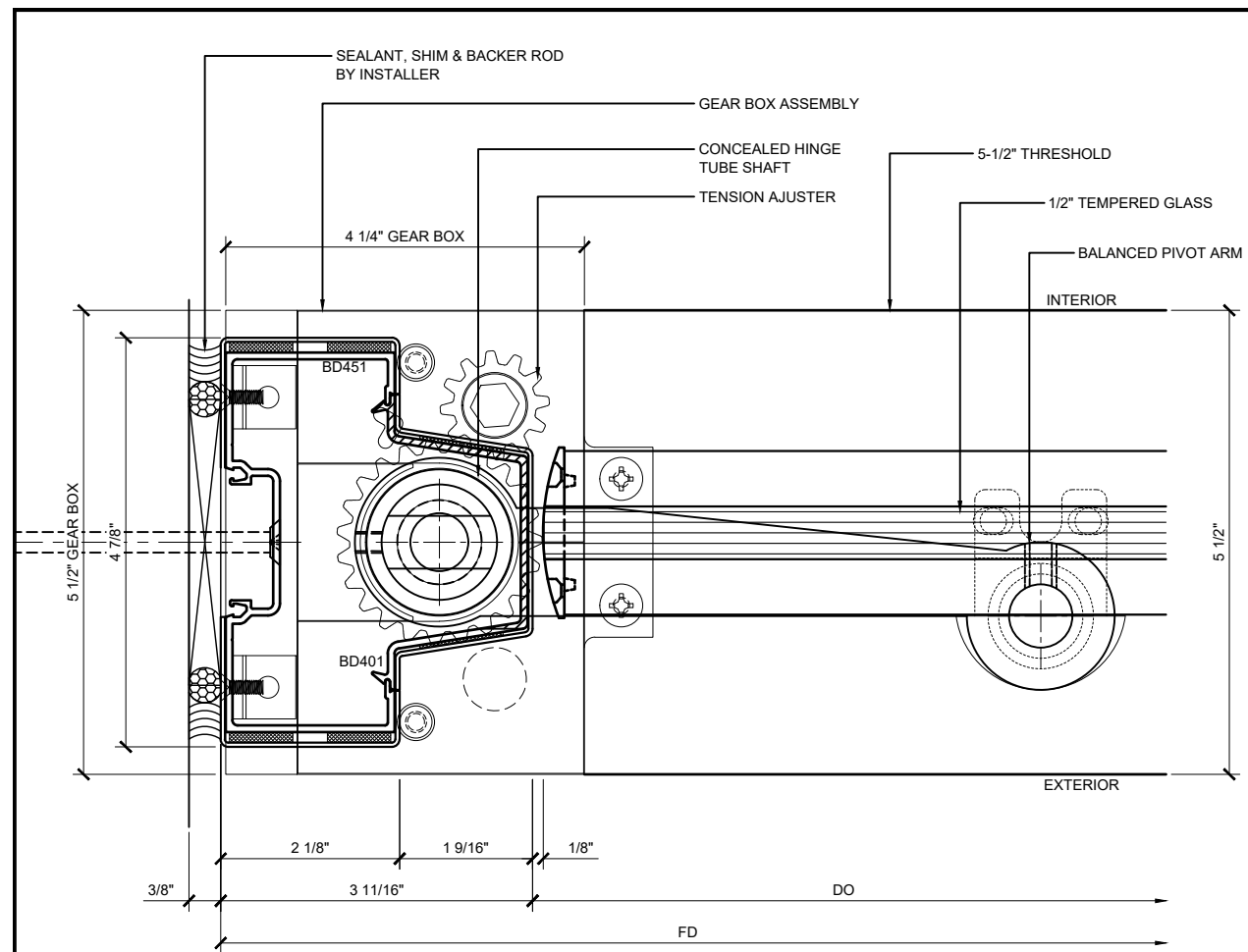
STANDARD ABBREVIATIONS	
RO	ROUGH OPENING
FD	FRAME DIMENSION
DLO	DAYLIGHT OPENING
DO	DOOR OPENING
DD	DOOR DIMENSION
TD	TRANSOM DIMENSION
FF	FLOOR FIDDING

Revisions By:



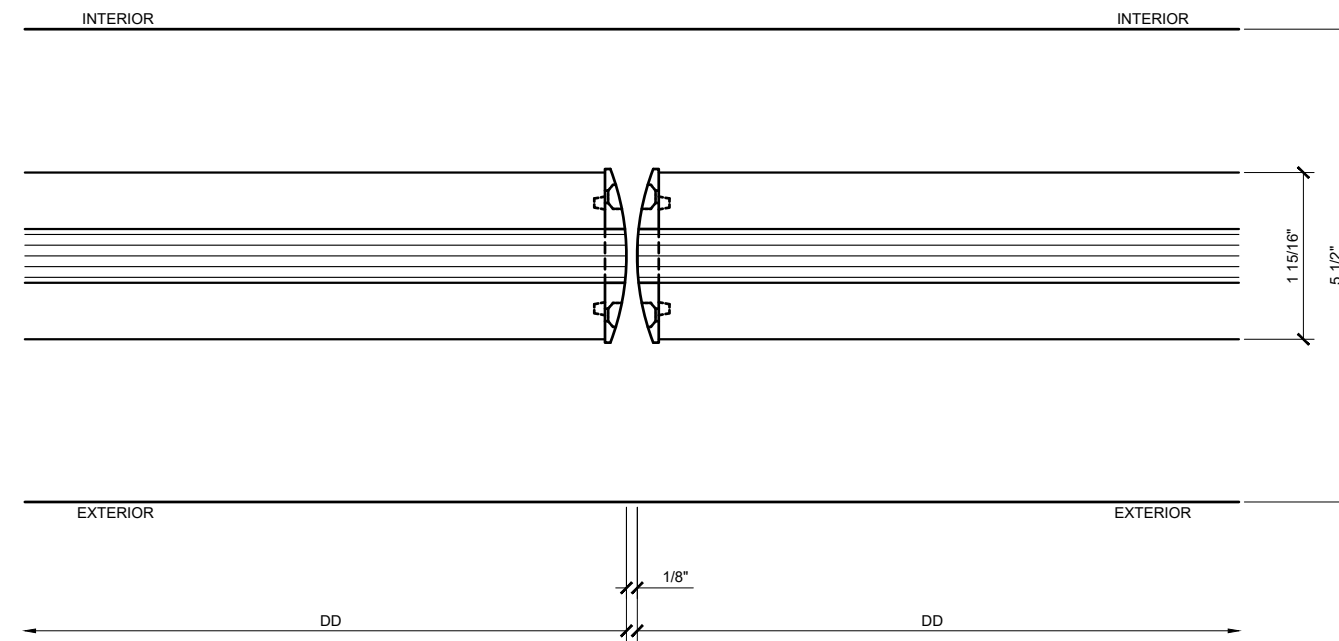
Description:
CRL BALANCER SERIES
BALANCED DOOR
U.S. ALUMINUM CLAD
ALL GLASS

Drawn By:	TGM
Date:	11/15/18
Scale:	AS NOTED
File Name:	BS BD - U.S. ALUM CLAD ALL GLASS.dwg



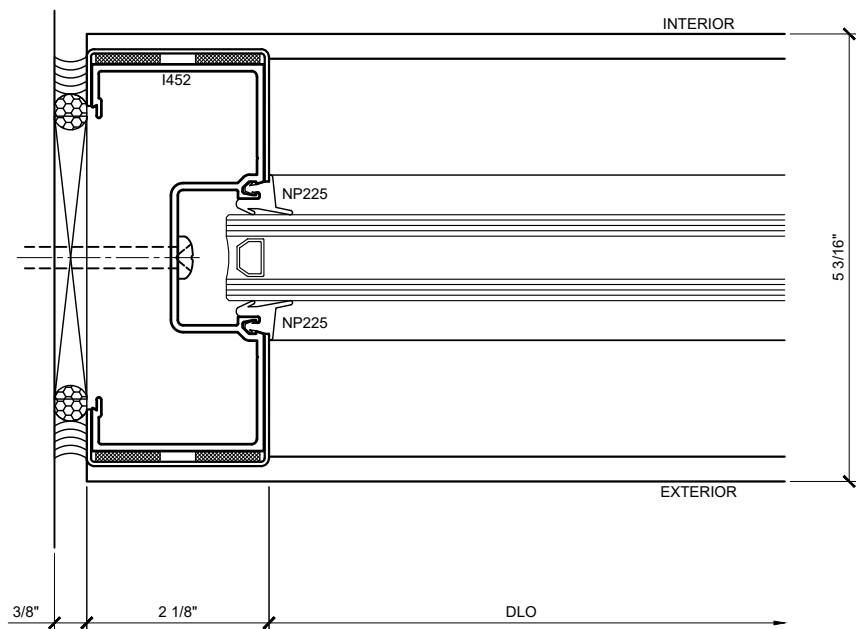
① DOOR PIVOT JAMB DETAIL

ARCH REF: N/A 1'-0"=1'-0"



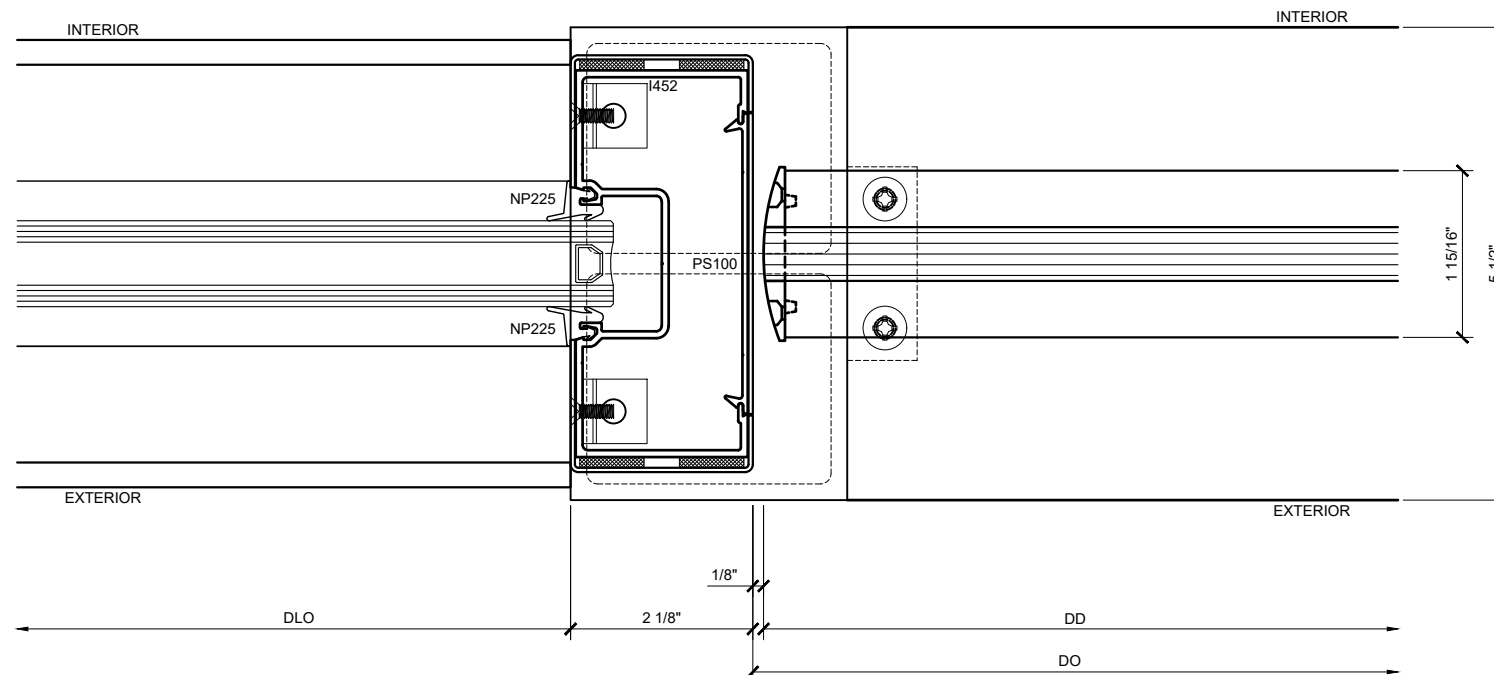
② MEETING STILES DETAIL

ARCH REF: N/A 1'-0"=1'-0"



③ JAMB DETAIL AT SIDELITE

ARCH REF: N/A 1'-0"=1'-0"



④ DOOR STRIKE JAMB AT SIDELITE DETAIL

ARCH REF: N/A 1'-0"=1'-0"

Revisions By:

CRL

2503 E. Vernon Avenue, Los Angeles, CA 90058-1887
PH: (800)-421-6144 FX: 800-587-7501 www.crlaurence.com

Description:
CRL BALANCER SERIES
BALANCED DOOR
U.S. ALUMINUM CLAD
ALL GLASS

Drawn By:	TGM
Date:	11/15/18
Scale:	AS NOTED
File Name:	BS BD - U.S. ALUM CLAD ALL GLASS.dwg
Sheet	

BALANCER SERIES ALUMINUM CLAD ALL GLASS BALANCED DOORS DETAILS / 4-1/2" JAMB / CONCEALED SHAFT

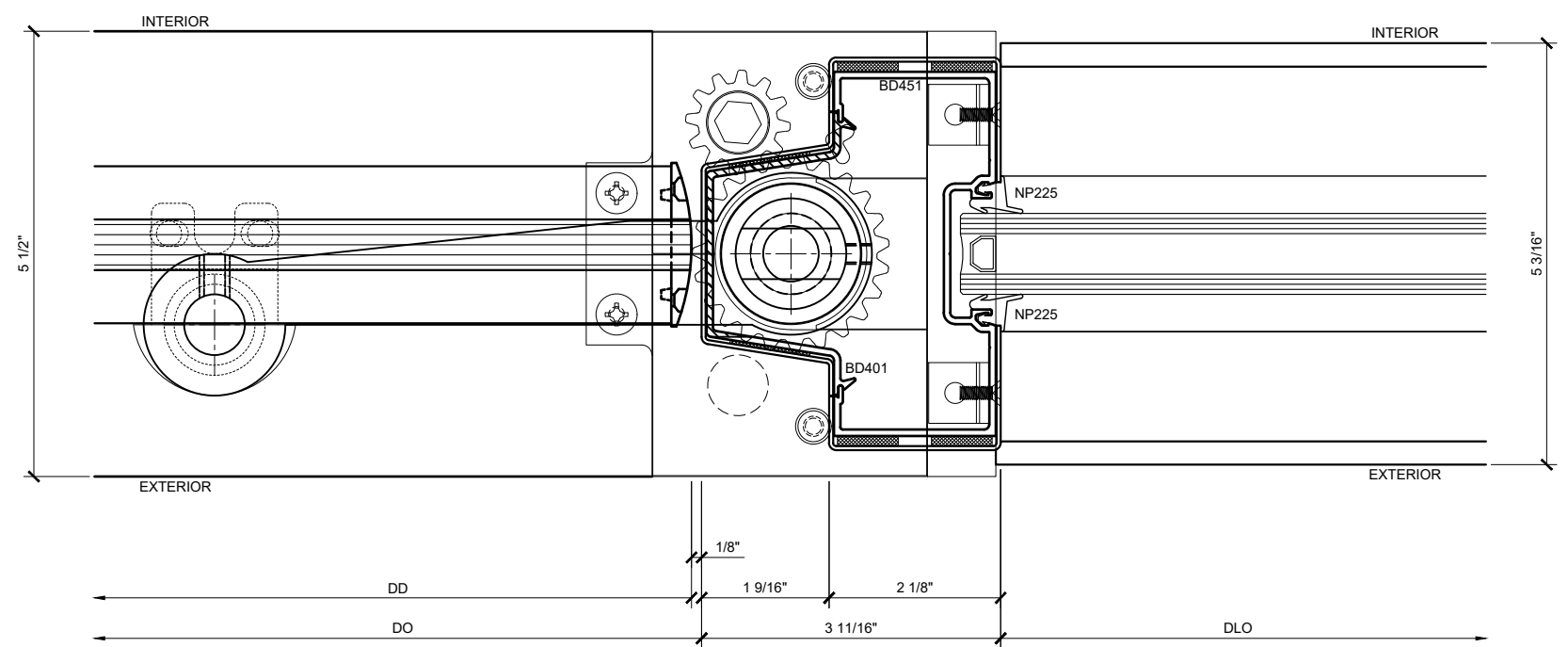
Revisions By:

CRL
2503 E. Vernon Avenue, Los Angeles, CA 90058-1887
PH: (800)-421-6144 FX: 800-587-7501 www.crlaurence.com

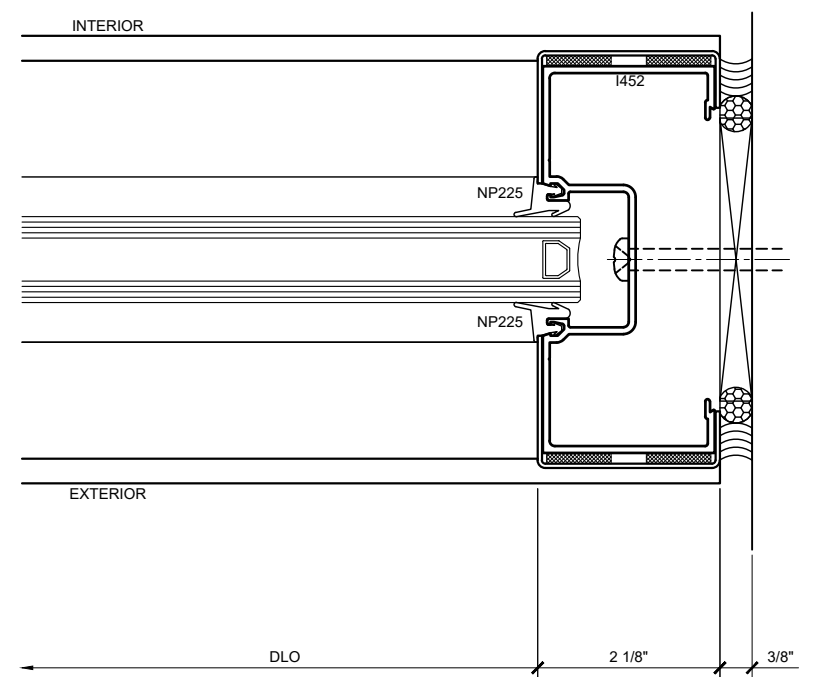
Description:
CRL BALANCER SERIES
BALANCED DOOR
U.S. ALUMINUM CLAD
ALL GLASS

Drawn By: TGM
Date: 11/15/18
Scale: AS NOTED
File Name:
BS BD - U.S. ALUM CLAD ALL GLAS.dwg
Sheet

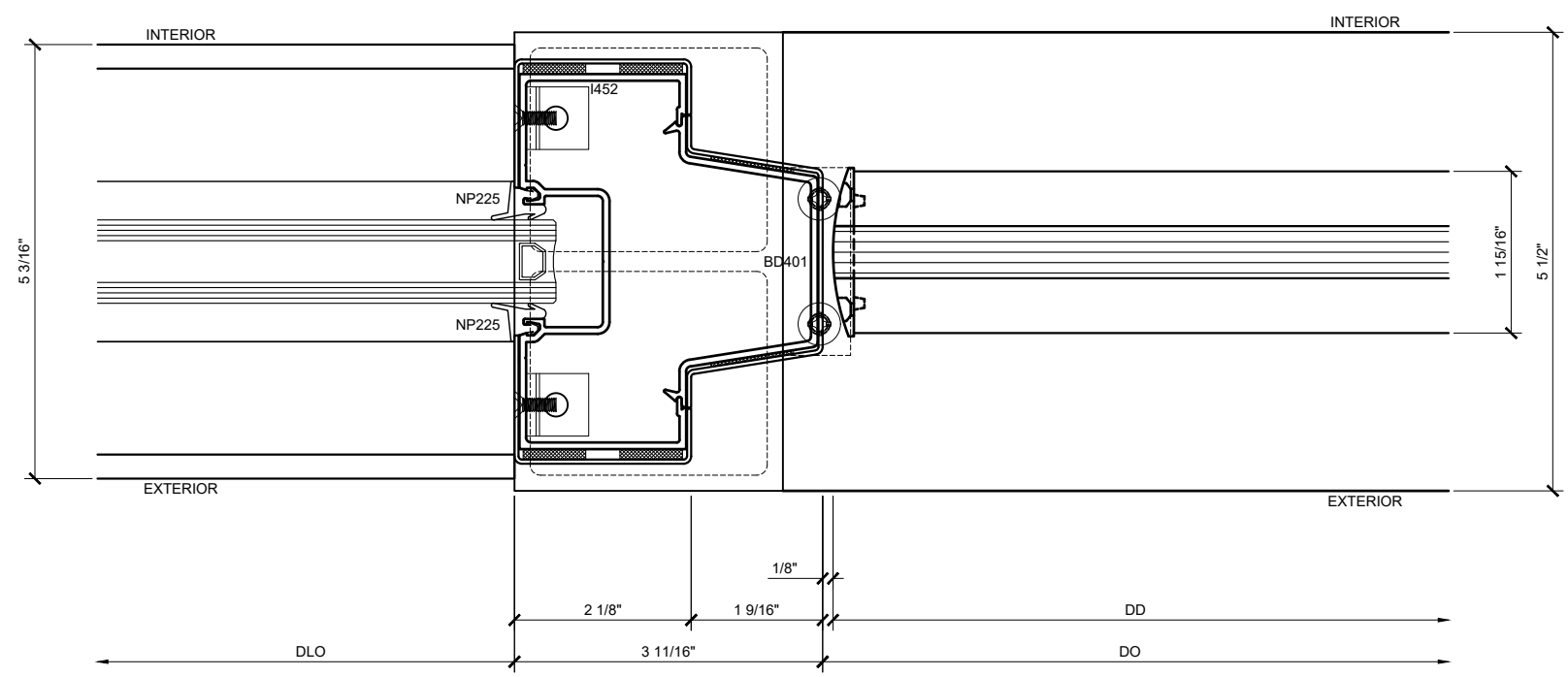
1.02



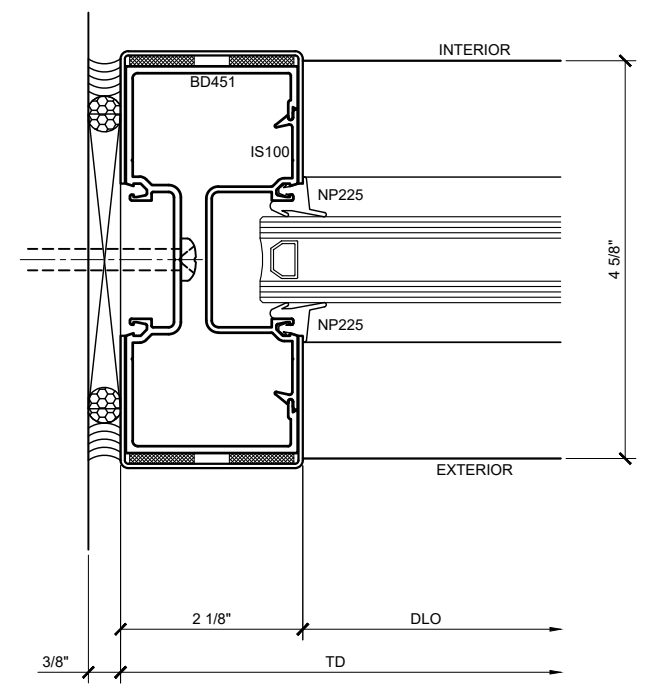
4A DOOR PIVOT JAMB SIDELITE DETAIL
ARCH REF: N/A 1'-0"=1'-0"



3A JAMB DETAIL
ARCH REF: N/A 1'-0"=1'-0"

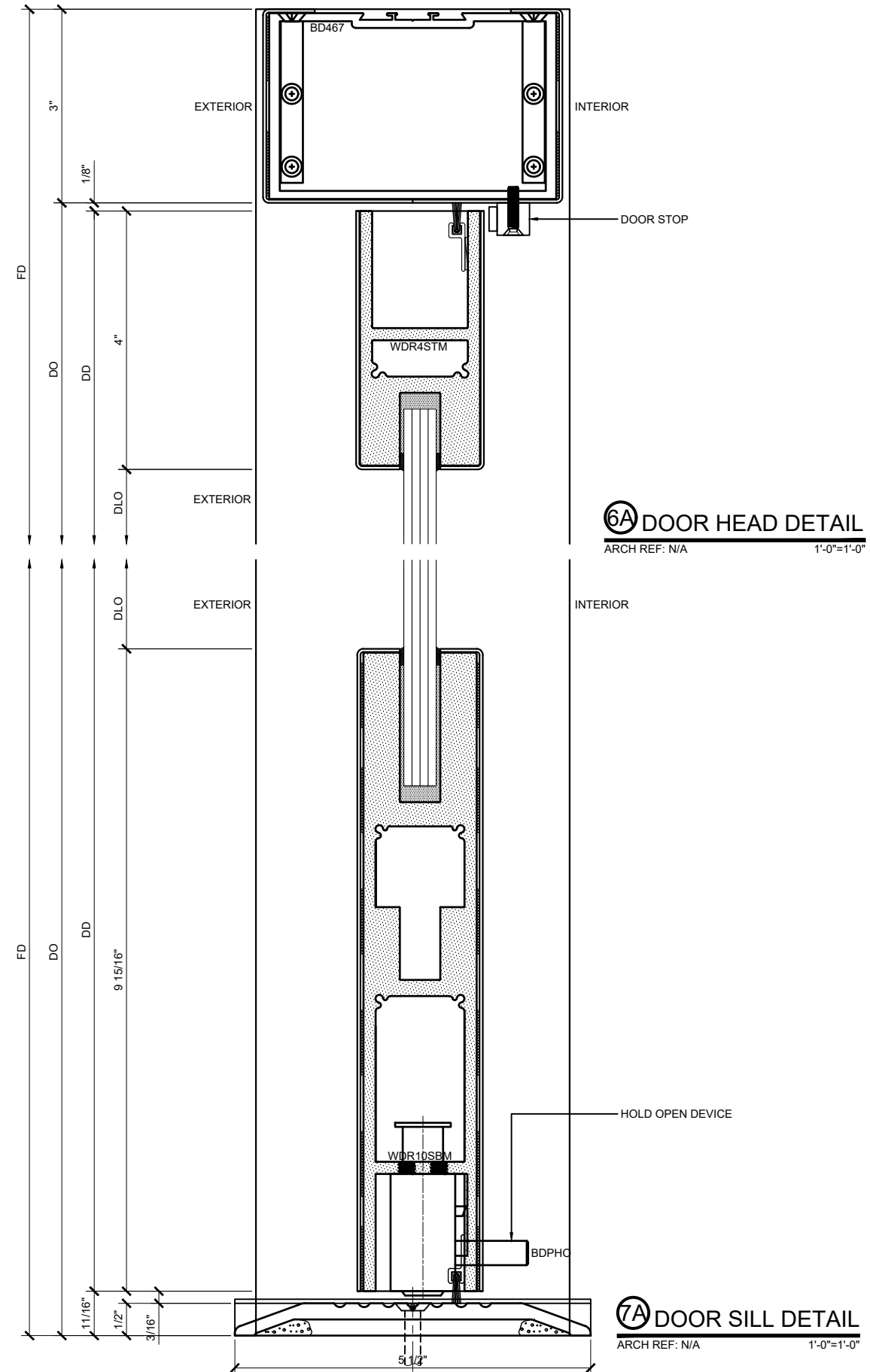
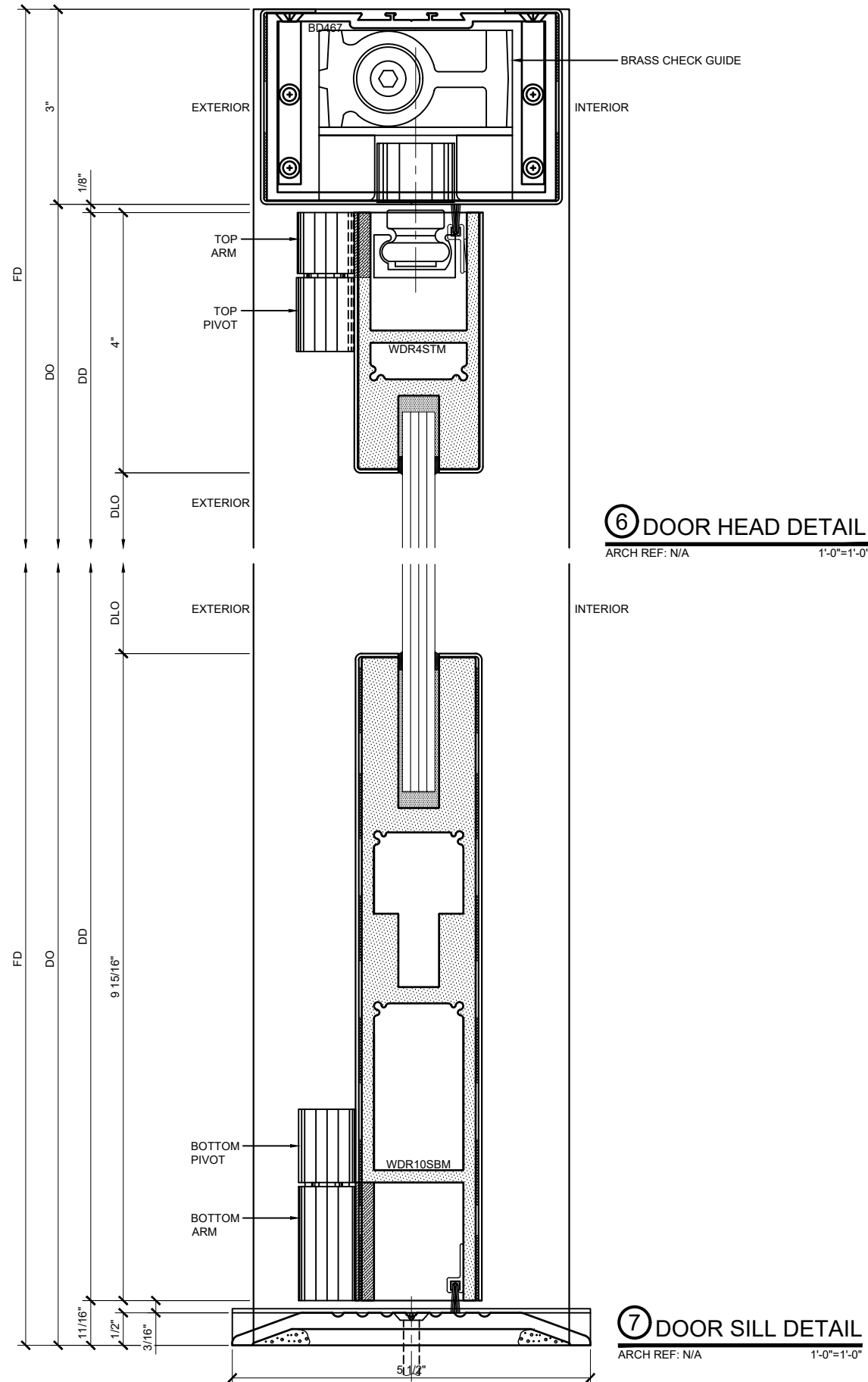


4B DOOR STRIKE JAMB AT SIDELITE DETAIL
ARCH REF: N/A 1'-0"=1'-0"



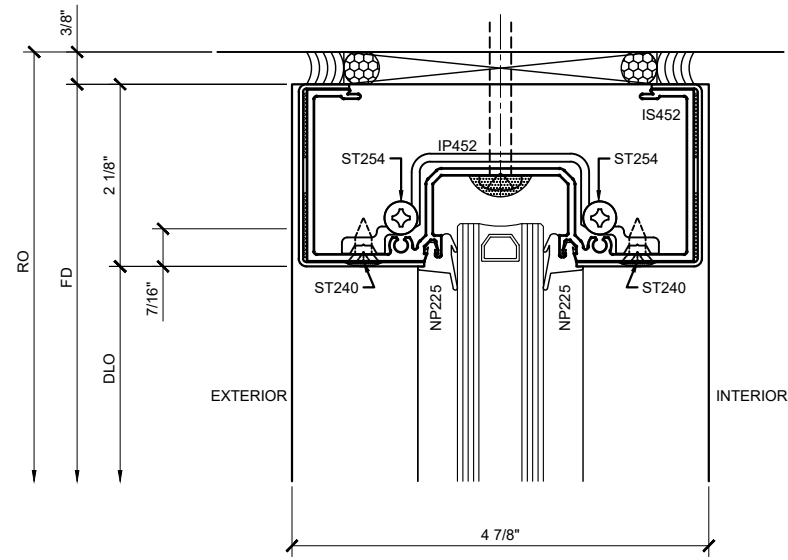
5 TRANSOM DETAIL
ARCH REF: N/A 1'-0"=1'-0"

BALANCER SERIES ALUMINUM CLAD ALL GLASS BALANCED DOORS DETAILS / 4-1/2" JAMB / CONCEALED SHAFT



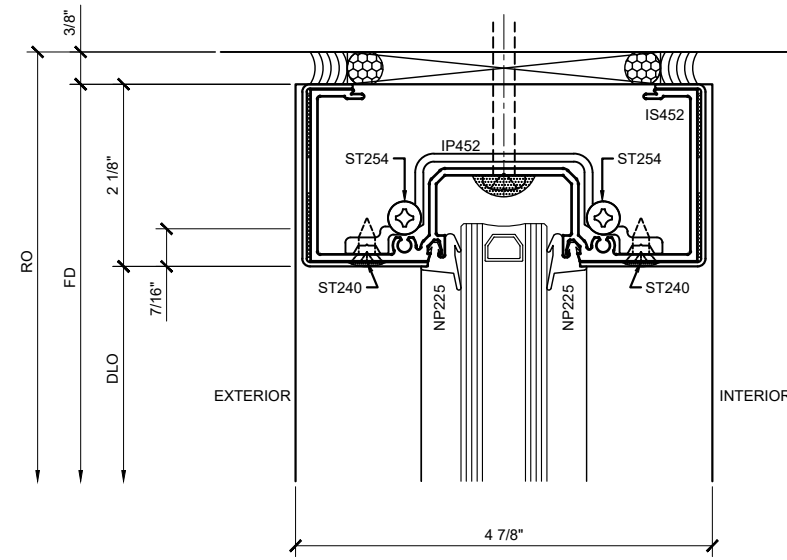
BALANCER SERIES ALUMINUM CLAD ALL GLASS BALANCED DOORS DETAILS / 4-1/2" JAMB / CONCEALED SHAFT

Revisions By:	
CRL	
2503 E. Vernon Avenue, Los Angeles, CA 90058-1887 PH: (800)-421-6144 FX: 800-587-7501 www.crlaurence.com	
Description:	CRL BALANCER SERIES BALANCED DOOR U.S. ALUMINUM CLAD ALL GLASS
Drawn By: TGM	
Date: 11/15/18	
Scale: AS NOTED	
File Name: BS BD - U.S. ALUM CLAD ALL GLASS.dwg	
Sheet	
1.03	



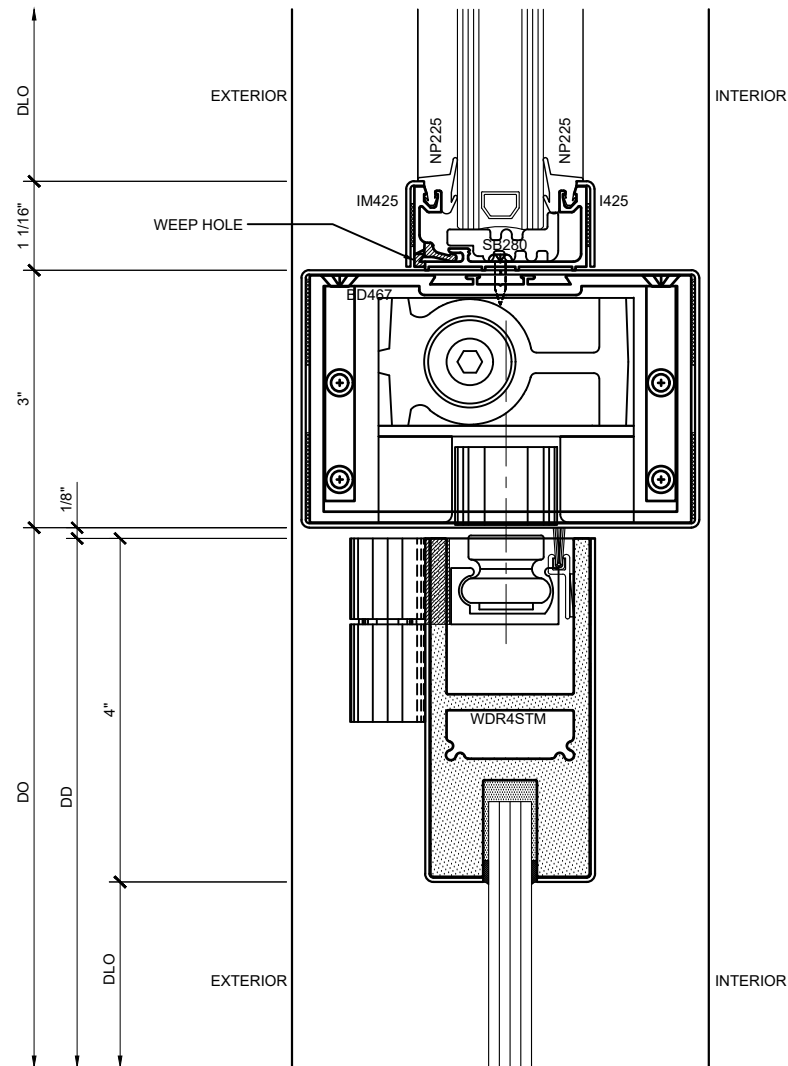
⑧ HEAD DETAIL

ARCH REF: N/A 1'-0"=1'-0"



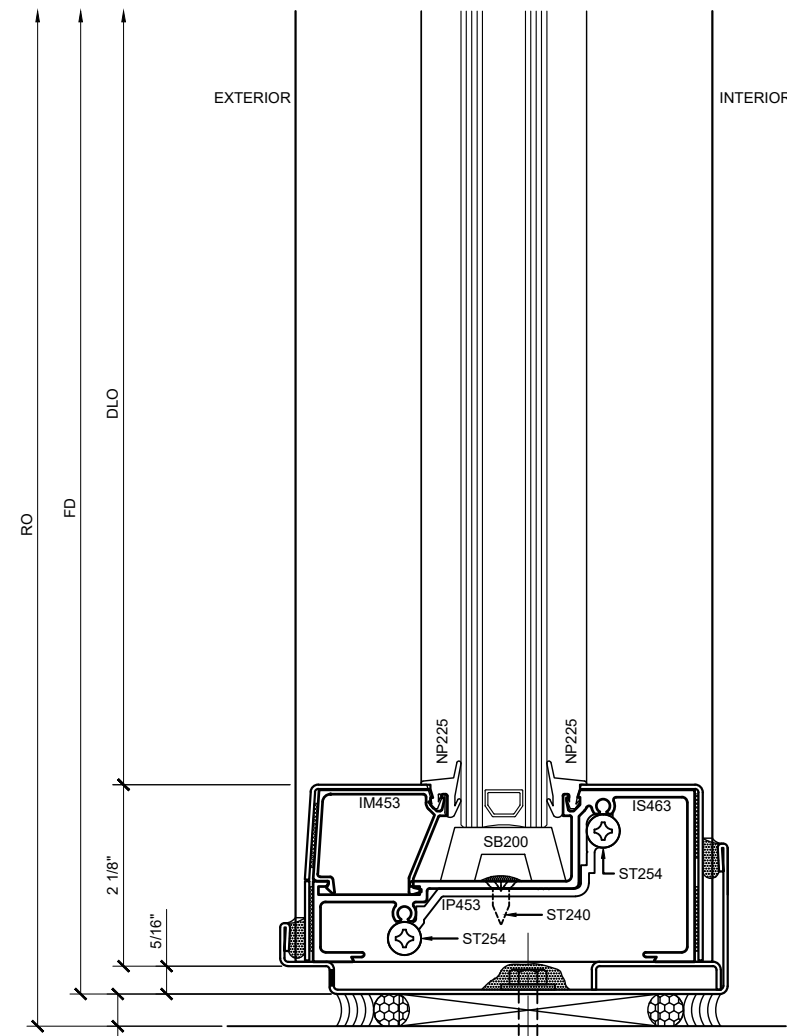
⑩ HEAD DETAIL

ARCH REF: N/A 1'-0"=1'-0"



⑨ DOOR HEAD DETAIL AT TRANSOM

ARCH REF: N/A 1'-0"=1'-0"



⑪ SILL DETAIL AT SIDELITE

ARCH REF: N/A 1'-0"=1'-0"

Revisions By:

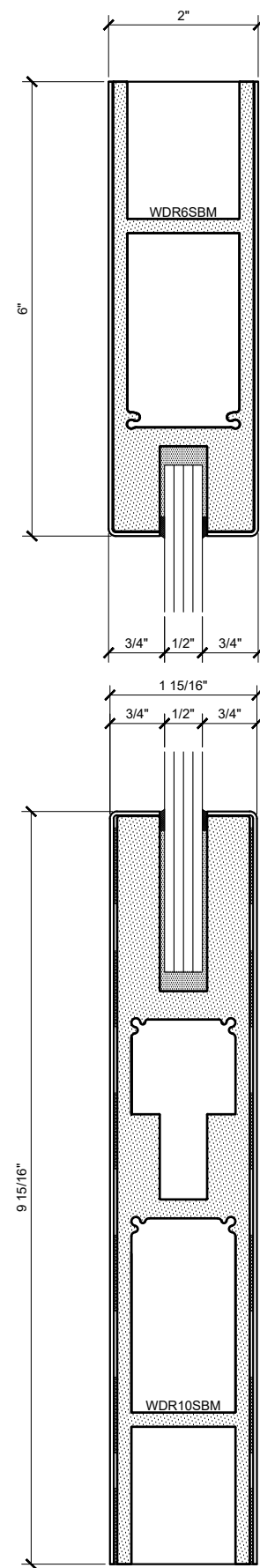
CRL

2503 E. Vernon Avenue, Los Angeles, CA 90059-1887
 PH: (800)-421-6144 FX: 800-587-7501 www.crlaurence.com

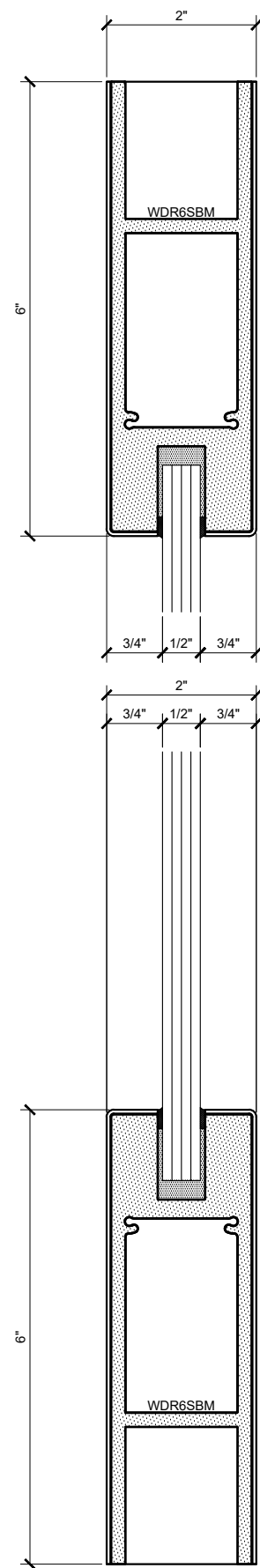
Description:
 CRL BALANCER SERIES
 BALANCED DOOR
 U.S. ALUMINUM CLAD
 ALL GLASS

Drawn By:	TGM
Date:	11/15/18
Scale:	AS NOTED
File Name:	BS BD - U.S. ALUM CLAD ALL GLASS.dwg
Sheet	

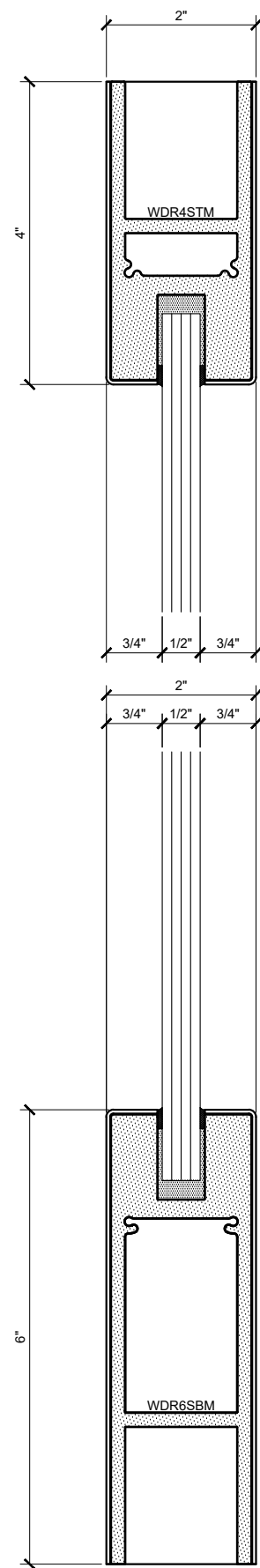
BALANCER SERIES ALUMINUM CLAD ALL GLASS BALANCED DOORS DETAILS / 4-1/2" JAMB / CONCEALED SHAFT



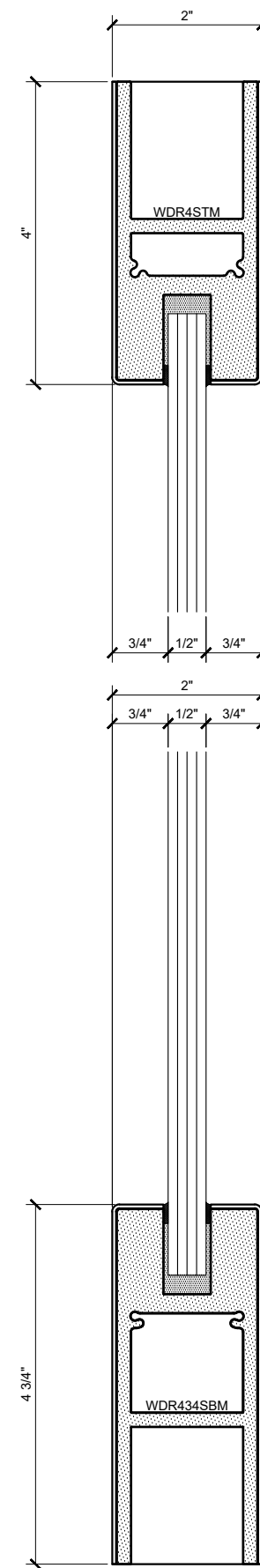
OPTION 1



OPTION 2



OPTION 3



OPTION 4

STANDARD RAILS - GLASS OPTIONS: 3/4", 9/16", 1/2", THICK GLASS (SHOWN WITH 1/2" THICK GLASS)

Revisions By:

CRL

2503 E. Vernon Avenue, Los Angeles, CA 90058-1887
 PH: (800)-421-6144 FX: 800-587-7501 www.crlaurence.com

Description:
 CRL BALANCER SERIES
 BALANCED DOOR
 U.S. ALUMINUM CLAD
 ALL GLASS

Drawn By: TGM

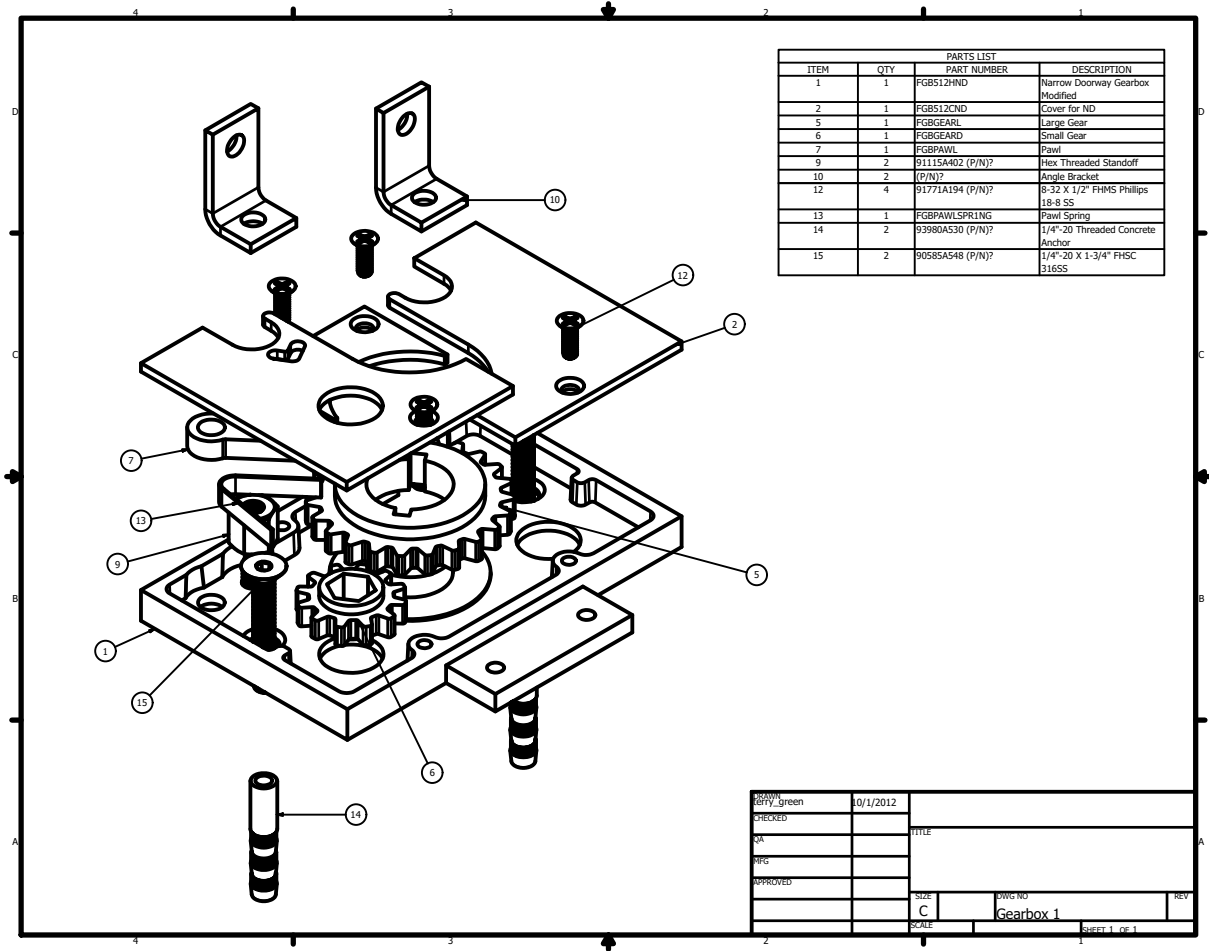
Date: 11/15/18

Scale: AS NOTED

File Name:
 BS BD - U.S. ALUM CLAD ALL GLASS.dwg

Sheet

1.05



PARTS LIST			
ITEM	QTY	PART NUMBER	DESCRIPTION
1	1	FGBS12HND	Narrow Doorway Gearbox Modified
2	1	FGBS12CND	Cover for ND
5	1	FGBGEARL	Large Gear
6	1	FGBGEAR	Small Gear
7	1	FGBPawl	Pawl
9	2	B1115A402 (P/N)?	Hex Threaded Standoff
10	2	(P/N)?	Angle Bracket
12	4	91771A194 (P/N)?	8-32 X 1/2" FHMS Phillips 18-8 SS
13	1	FGBPawlSPRING	Pawl Spring
14	2	93980A530 (P/N)?	1/4"-20 Threaded Concrete Anchor
15	2	90585A548 (P/N)?	1/4"-20 X 1-3/4" FHSC 316SS

DESIGNED BY	green	DATE	10/11/2012	TITLE	
CHECKED					
DATE					
BY					
APPROVED		SCALE	C	DWG NO	Gearbox 1
					REV

Revisions By:

CRL

2503 E. Vernon Avenue, Los Angeles, CA 90058-1887
 PH (800) 421-6144 FX: 800-587-7501 www.crlaurence.com

Description:
 CRL BALANCER SERIES
 BALANCED DOOR
 U.S. ALUMINUM CLAD
 ALL GLASS

Drawn By:	TGM
Date:	11/15/18
Scale:	AS NOTED
File Name:	BS BD - U.S. ALUM CLAD ALL GLASS.dwg

Sheet
2.01