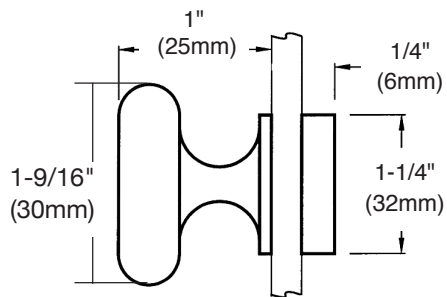


Specifications:

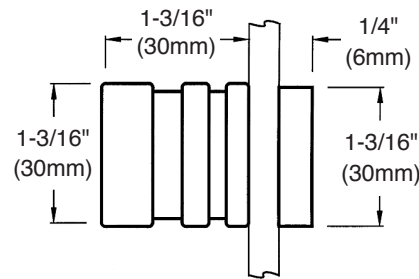
Material: Solid brass
 Glass Thickness Range: 1/4" (6mm) to 1/2" (12mm)
 Hole Size Required: 1/2" (12mm) diameter

Single-Sided

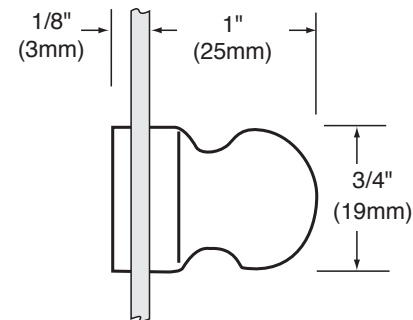
CAT. NO. SDK200



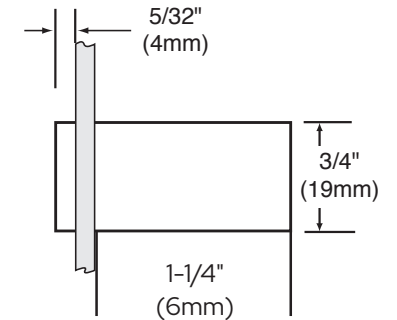
CAT. NO. SDK206



CAT. NO. 19MK



CAT. NO. SDK212



KNOBS