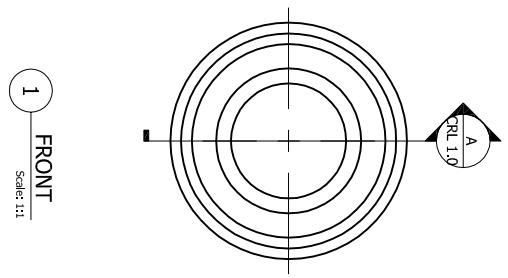
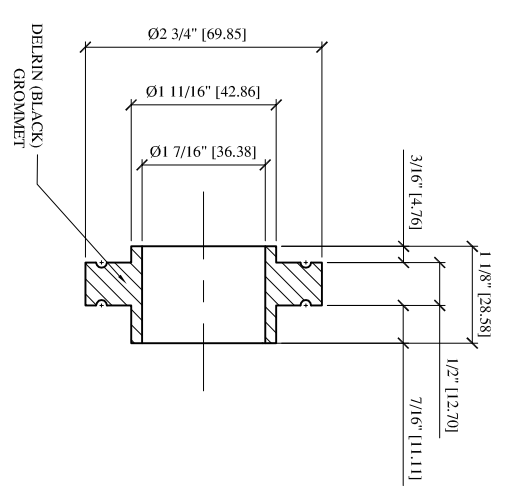


**HSIGF14**  
Scale: 1:1



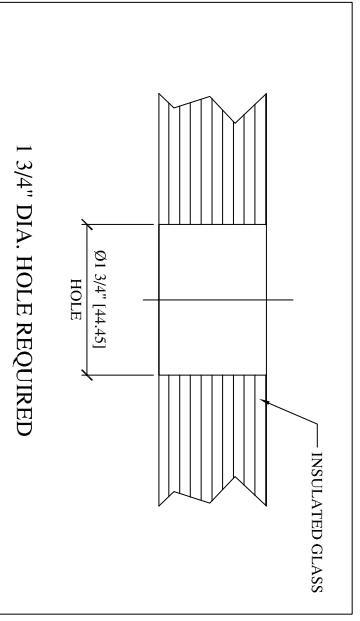
**FRONT**  
Scale: 1:1



**SECTION**  
Scale: 1:1

**GASKET - DELRIN GROMMET (BLACK)**  
Scale: 1:1

<b>NEW PART #</b>	<b>FINISH</b>
HSIGF14BS	BRUSHED STAINLESS
HSIGF14PS	POLISHED STAINLESS



Glazing Contractor :  
 . . . .  
 . . . .  
 . . . .  
 . . . .  
 Tel -  
 Fax -

Project Name :  
 . . . .  
 . . . .  
 . . . .

Architect :  
 . . . .  
 . . . .  
 . . . .  
 Tel -  
 Fax -

**CRL**  
 C.R. LAURENCE CO. ©  
 ARCHITECTURAL PRODUCTS  
 2503 E. Vernon Avenue,  
 Los Angeles, CA 90058-1897  
 PH (800) 421-6144 FAX (800) 262-3299  
 www.crlaurence.com

Revisions By:  
 - xxx/xxxx

Sheet No. :  
**CRL 1.0**