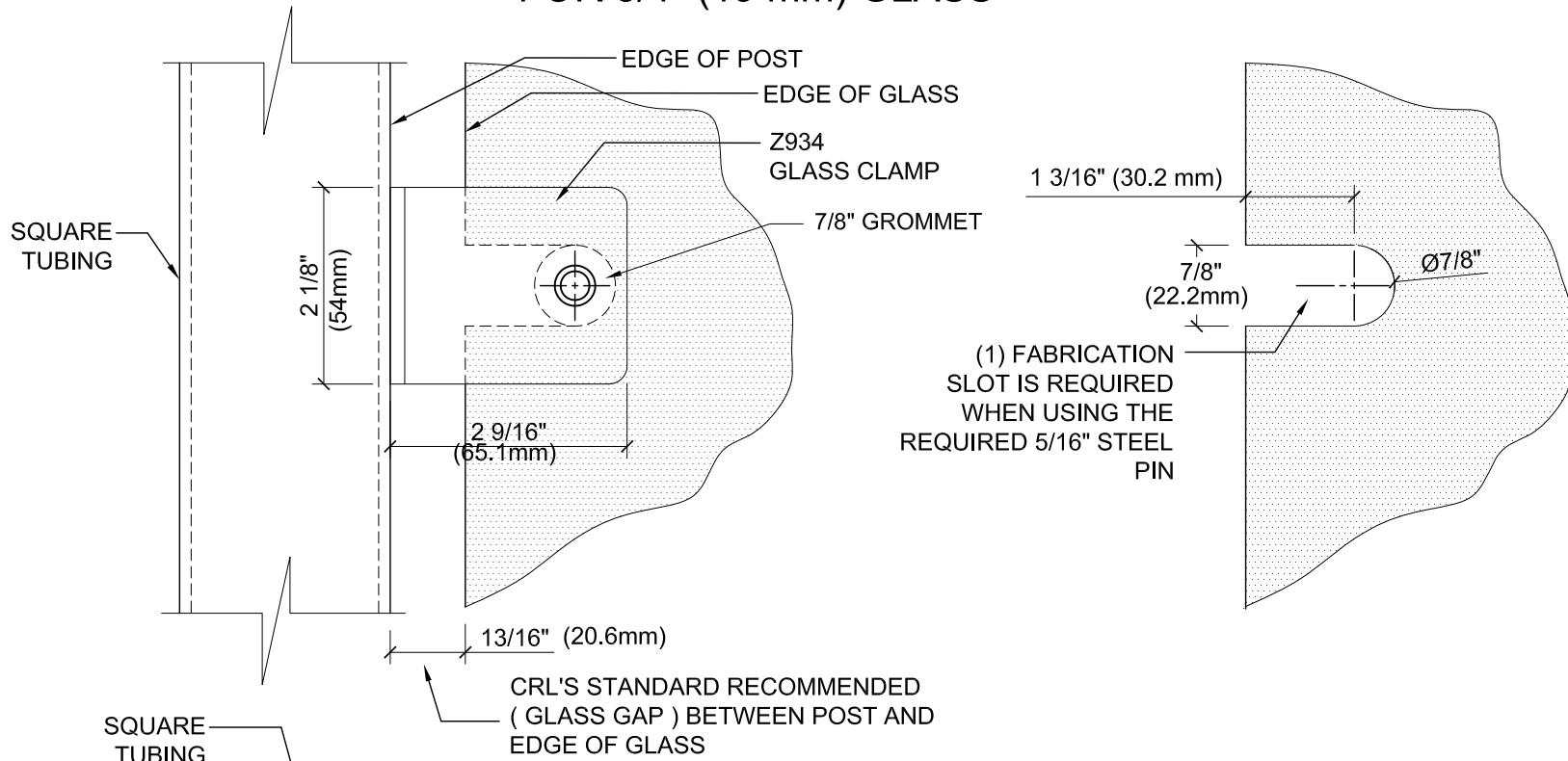


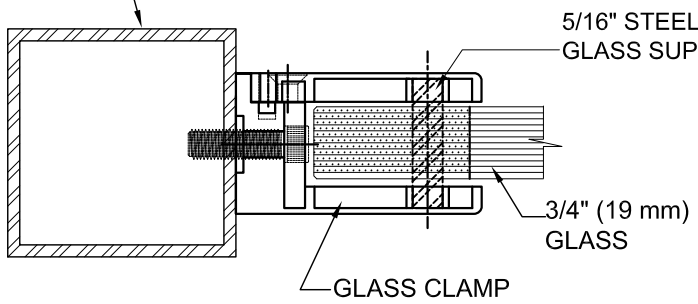
# GLASS FABRICATION TEMPLATE FOR THE Z-SERIES SQUARE TYPE FLAT BASE CLAMPS FOR 3/4" (19 mm) GLASS



ALWAYS USE DIMENSIONS SHOWN ON THE PLAN.  
DO NOT SCALE OR DIMENSION ACTUAL DRAWING  
TO ENSURE ACCURACY

GLASS FABRICATION  
TEMPLATE USED FOR:

CATALOG NUMBER
Z934BS
Z934PS



**SPECIFICATIONS:**

GLASS THICKNESS: MODELS FOR 3/4" (19 mm) GLASS.

BASE DESIGN: FLAT BACK

FOR USE WITH: SQUARE TUBING OR OTHER FLAT SURFACES.

MATERIAL: 316 STAINLESS STEEL. STAINLESS STEEL, BRUSHED AND POLISHED FINISHES

GLASS FABRICATION: FOR 3/4" (19mm) THICK GLASS. 7/8" (22mm) DIAMETER FINGER SLOT NEEDED FOR USING REQUIRED STEEL PIN FOR GLASS SUPPORT

INCLUDES: RUBBER GASKETS AND STEEL PIN WITH GROMMET.



**ARCHITECTURAL PRODUCTS**  
PH: 800-421-6144 FX: 800-262-3299  
WWW.CRLAURENCE.COM

DESCRIPTION:  
**Z-SERIES SQUARE TYPE FLAT BASE GLASS CLAMP**  
  
FOR 3/4" (19 mm) THICK GLASS

CAT. NO: (SEE CHART)	DATE: 09/16/11
FILE NAME: Z934-Gls Fab	SCALE: N.T.S.
DRAWN BY: R.D.	CHECKED BY: C.H.
SHT <u>1</u> OF <u>1</u>	