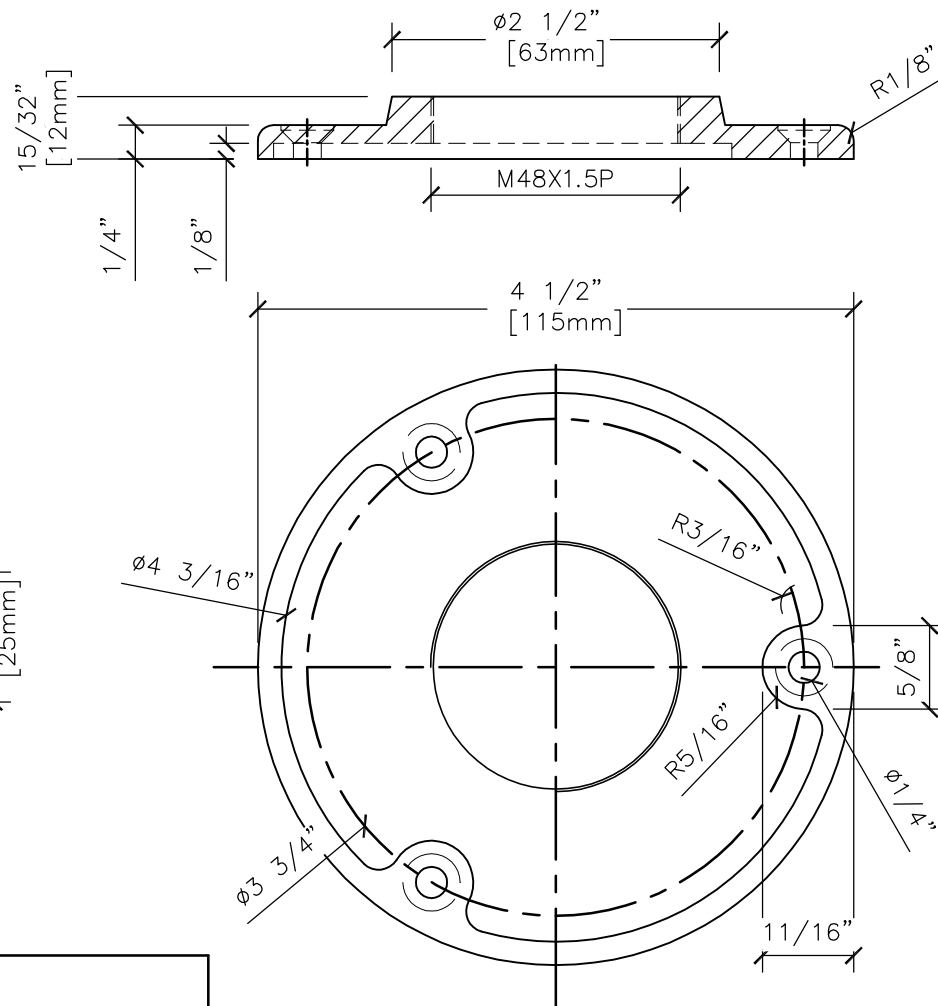
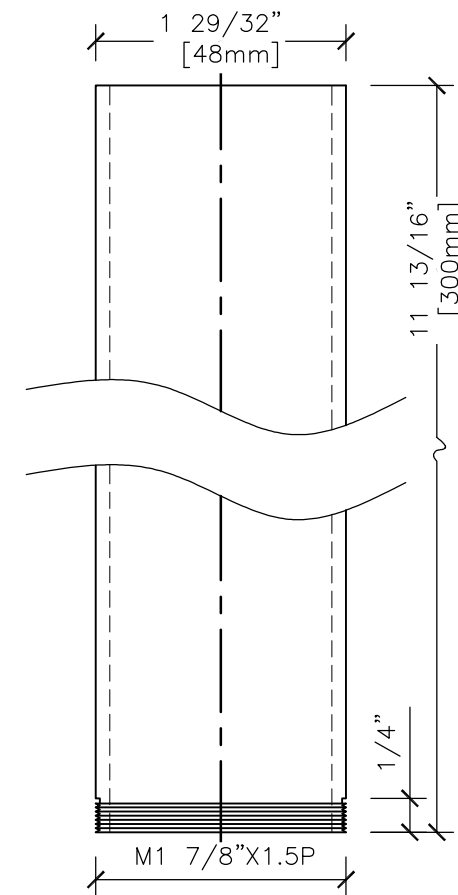


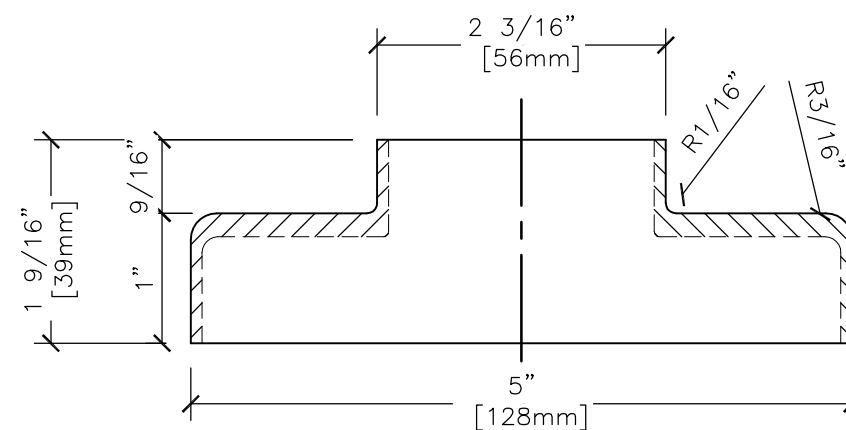
**STEEL FLANGE & CANOPY**



**FLANGE**



**STANCHION**



**COVER**

ALWAYS USE DIMENSIONS SHOWN ON THE PLAN.  
DO NOT SCALE OR DIMENSION ACTUAL DRAWING  
TO ENSURE ACCURACY

CATALOG NUMBER	FINISH
HR20XBS	BRUSHED STAINLESS STEEL
HR20XPS	POLISHED STAINLESS STEEL
HR20XPB	POLISHED BRASS
HR20XCBS	BRUSHED STAINLESS CANOPY
HR20XCPB	POLISHED BRASS CANOPY
HR20XCPS	POLISHED STAINLESS CANOPY

**SPECIFICATIONS:**

MATERIAL: 304 STAINLESS STEEL



**ARCHITECTURAL PRODUCTS**  
PH: 800-421-6144 FX: 800-262-3299  
WWW.CRLAURENCE.COM

**DESCRIPTION:**

CRL STEEL FLANGE AND CANOPY FOR 2.0" TUBING

CAT. NO: (SEE CHART)

DATE: 02/01/10

FILE NAME: HR20X

SCALE: N.T.S

DRAWN BY: J.V.

CHECKED BY: R.E.D.

SHT 1 OF 1