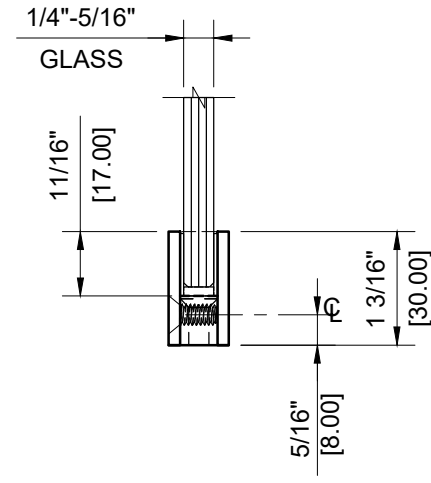
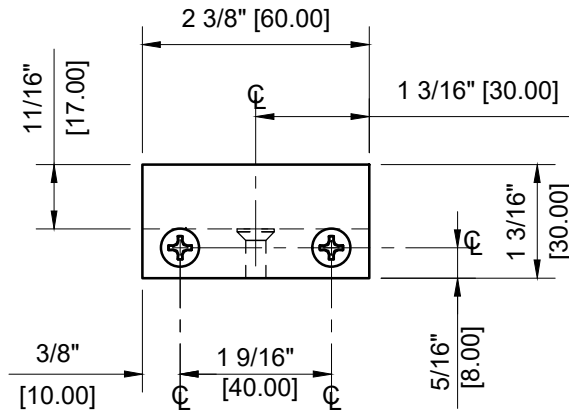
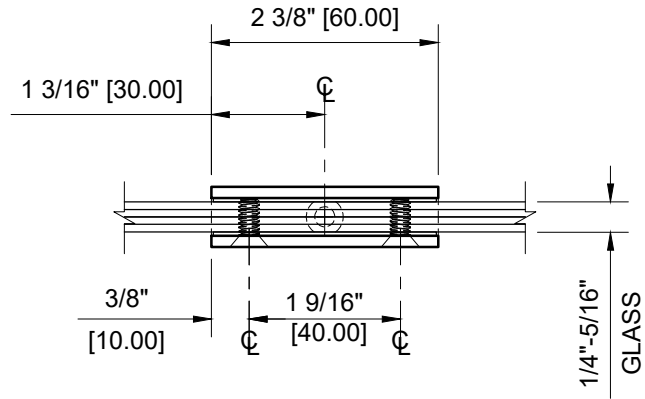


USE OF GASKETS
 FOR 1/4" (6mm) GLASS: USE CRL CAT.# 820 TUFF-PAK TAPE
 FOR 5/16" (8mm) GLASS: GASKET SUPPLIED



EH09XX - CRL LOW PROFILE FACE PLATE GLASS CLAMPS

DATE: 2-10-2020
 SCALE: 6"=1'-0"
 DRAWN BY: VM

DESCRIPTION: CRL - EH09__ FIXED PANEL U-CLAMP
 LOW PROFILE WITH REMOVABLE FACE PLATE

C.R.LAURENCE CO. ARCHITECTURAL PRODUCTS
 2503 E. Vernon Avenue, Los Angeles, CA 90058-1897
 PH (800)-421-6144 FX: 800-587-7501 www.crlaurence.com

