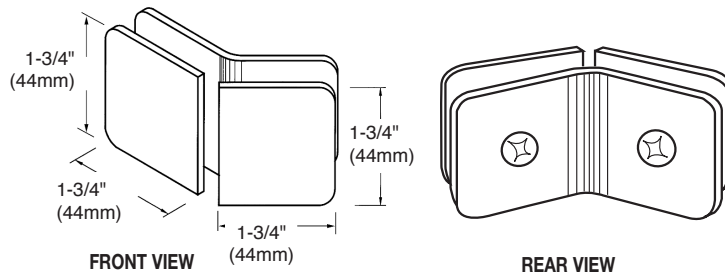




GLASS CLAMPS
135° Glass Clamp
CAT. NO. GCB135



Specifications:

Material:	Solid brass
Glass Thickness Range:	5/16" (8mm) to 1/2" (12mm)
Hole Size Required:	5/8" (16mm) or 3/4" (19mm)
Includes:	Mounting screws and gaskets

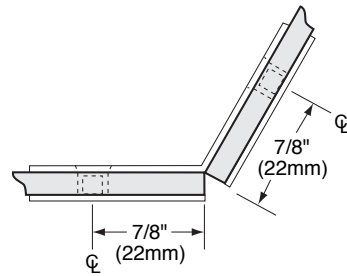
Template Shown on Next Page

***NOTE:** Do not exceed either maximum weight or width when choosing proper quantity of hinges.

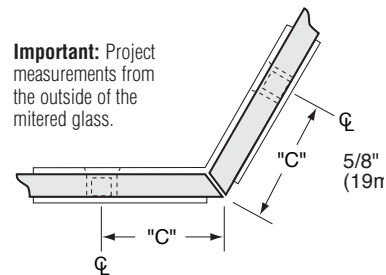
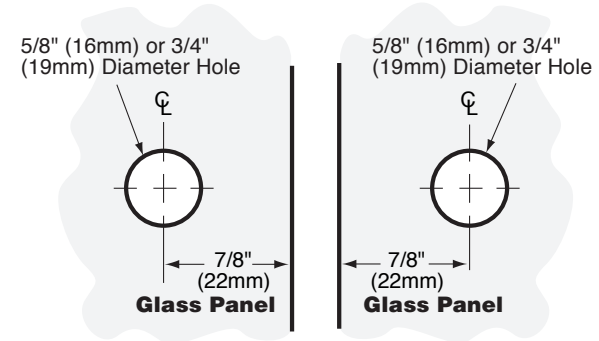
***NOTE:** Do not exceed either maximum weight or width when choosing proper quantity of hinges.

IMPORTANT: Project measurements from the edge of the glass.

TYPICAL INSTALLATION



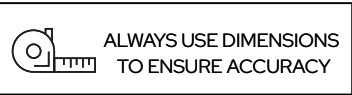
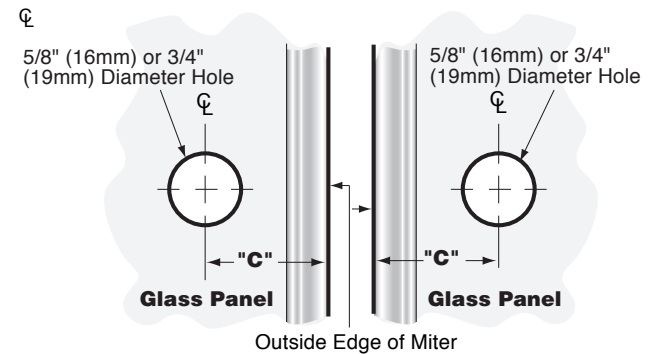
TEMPLATE OPTION FOR 22-1/2° MITERED GLASS



Important: Project measurements from the outside of the mitered glass.

Glass Thickness	"C" Measurement
1/4" (6mm)	1" (25mm)
5/16" (8mm)	1-1/16" (27mm)
3/8" (10mm)	1-1/16" (27mm)
1/2" (12mm)	1-1/8" (29.5mm)

*From outside edge of miter



GLASS CLAMPS

THE TEMPLATE OPTIONS ON THIS PAGE APPLIES TO THE FOLLOWING CLAMPS:

135° Glass Clamp
CAT. NO. GCB135