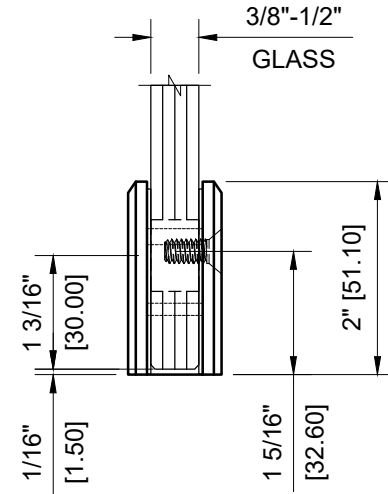
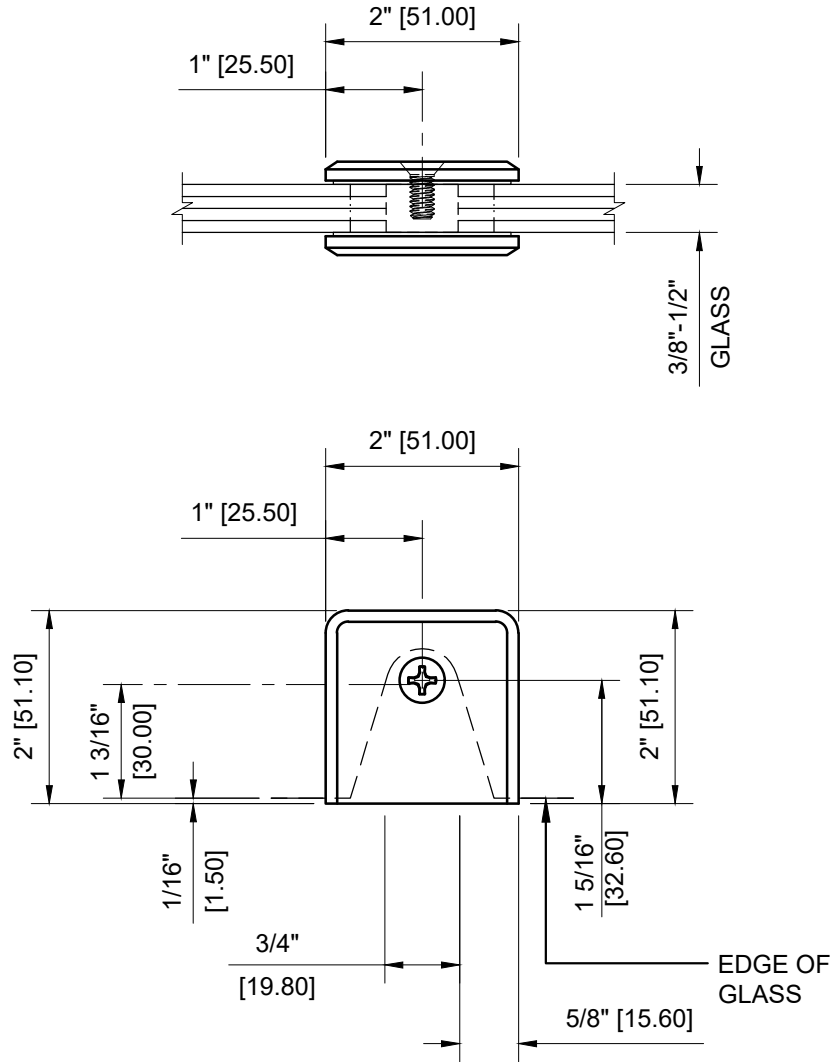


USE OF GASKETS

FOR 3/8" (10mm) GLASS:

FOR 1/2" (12mm) GLASS:



**BGCU1XX - CRL BEVELED STYLE NOTCH IN GLASS FIXED PANEL U-CLAMP**

**C.R. LAURENCE CO. ARCHITECTURAL PRODUCTS**  
 2503 E. Vernon Avenue, Los Angeles, CA 90058-1897  
 PH (800)-421-6144 FX: 800-587-7501 www.crlaurence.com



DESCRIPTION: CRL - BGCU1\_\_ FIXED PANEL U-CLAMP  
 BEVELED STYLE NOTCH IN GLASS WALL,  
 FLOOR OR CEILING MOUNT

DATE: 2-5-2020  
 SCALE: 6"=1'-0"  
 DRAWN BY: VM