

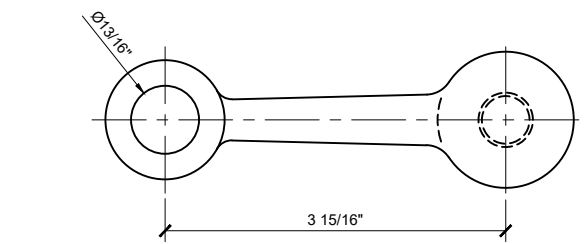
Revisions By:

**CRL**

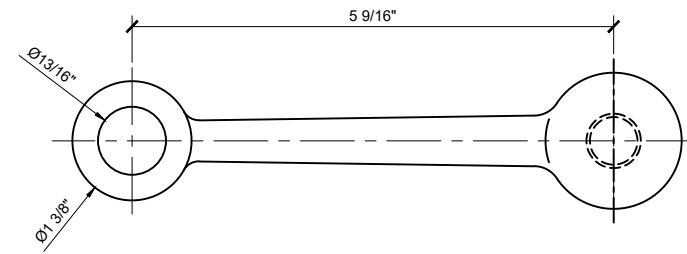
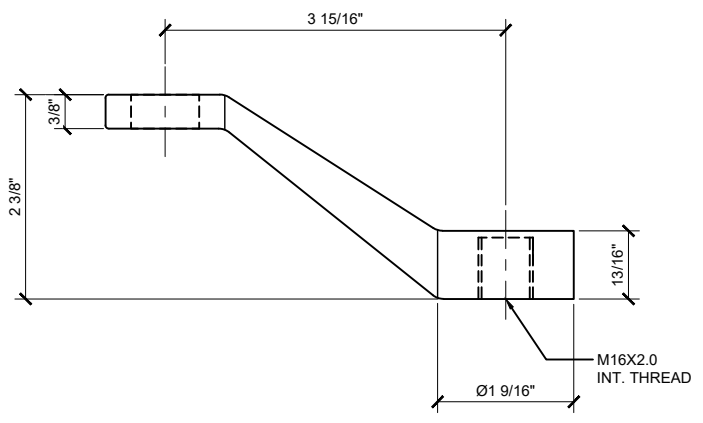
2503 E. Vesper Avenue, Los Angeles, CA 90058-1807  
 PH (800)-421-6144 FX 800-587-7501 www.crlaerance.com

Description:  
 CRL SPIDER FITTINGS

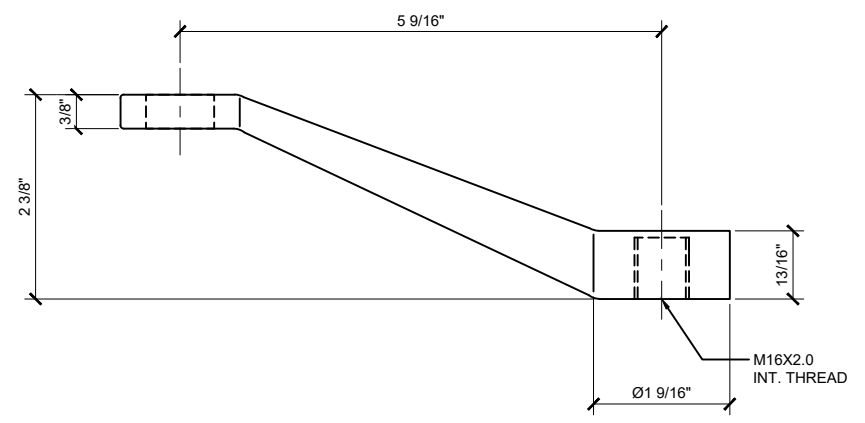
Drawn By:JRM  
 Date: 4/4/17  
 Scale: FULL  
 File Name:Spider Fittings.dwg  
 Sheet



AVAILABLE FINISHES  
 PMR1BS = BRUSHED STAINLESS STEEL  
 PMR1PS = POLISHED STAINLESS STEEL

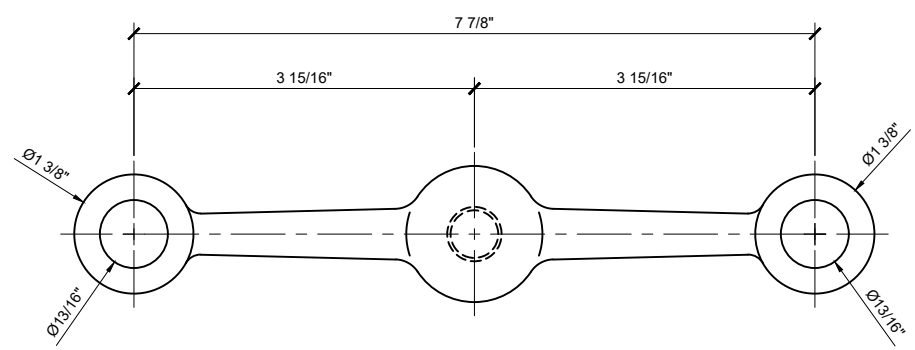


AVAILABLE FINISHES  
 PMR1LBS = BRUSHED STAINLESS STEEL  
 PMR1LPS = POLISHED STAINLESS STEEL

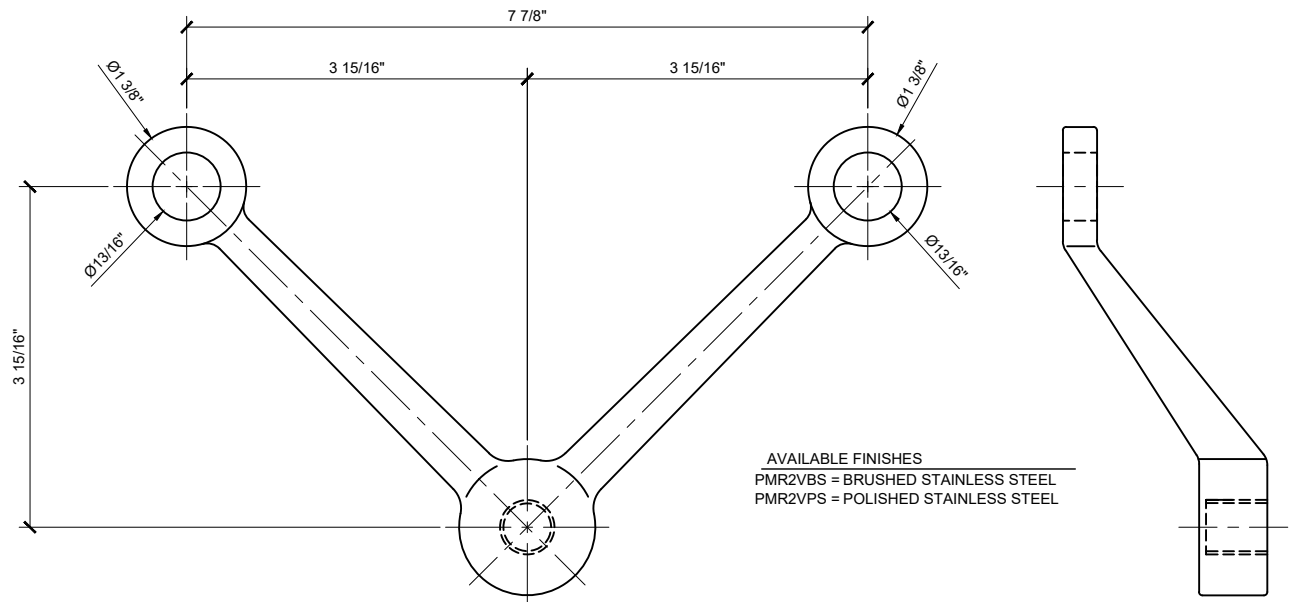
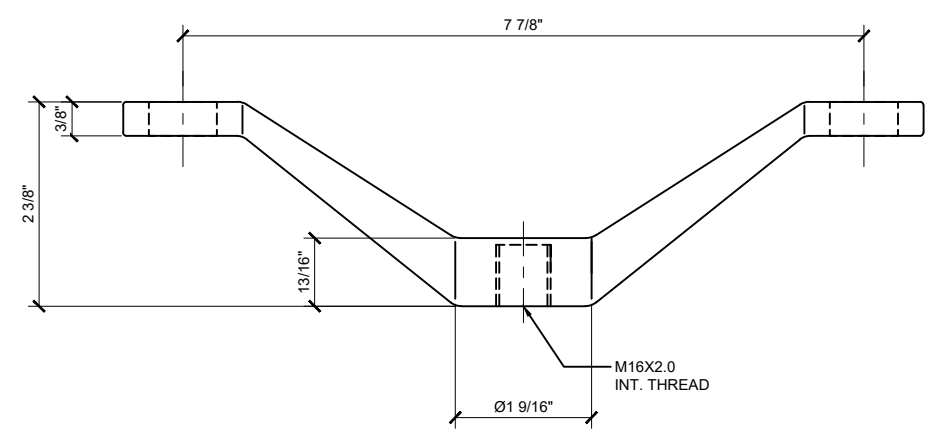


**SINGLE ARM REGULAR-DUTY POST MOUNT FITTING PMR1** ①

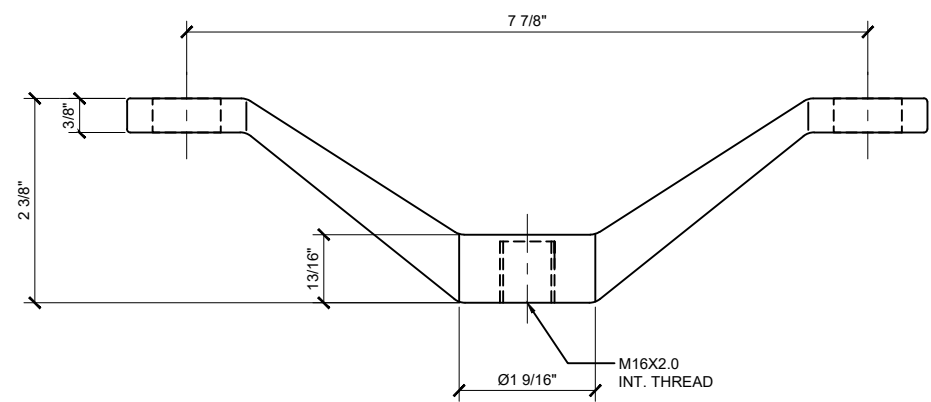
**SINGLE LONG ARM REGULAR-DUTY POST MOUNT FITTING PMR1L** ②



AVAILABLE FINISHES  
 PMR2BS = BRUSHED STAINLESS STEEL  
 PMR2PS = POLISHED STAINLESS STEEL



AVAILABLE FINISHES  
 PMR2VBS = BRUSHED STAINLESS STEEL  
 PMR2VPS = POLISHED STAINLESS STEEL



**SINGLE ARM REGULAR-DUTY POST MOUNT FITTING PMR2** ③

**SINGLE ARM REGULAR-DUTY POST MOUNT FITTING PMR2V** ④



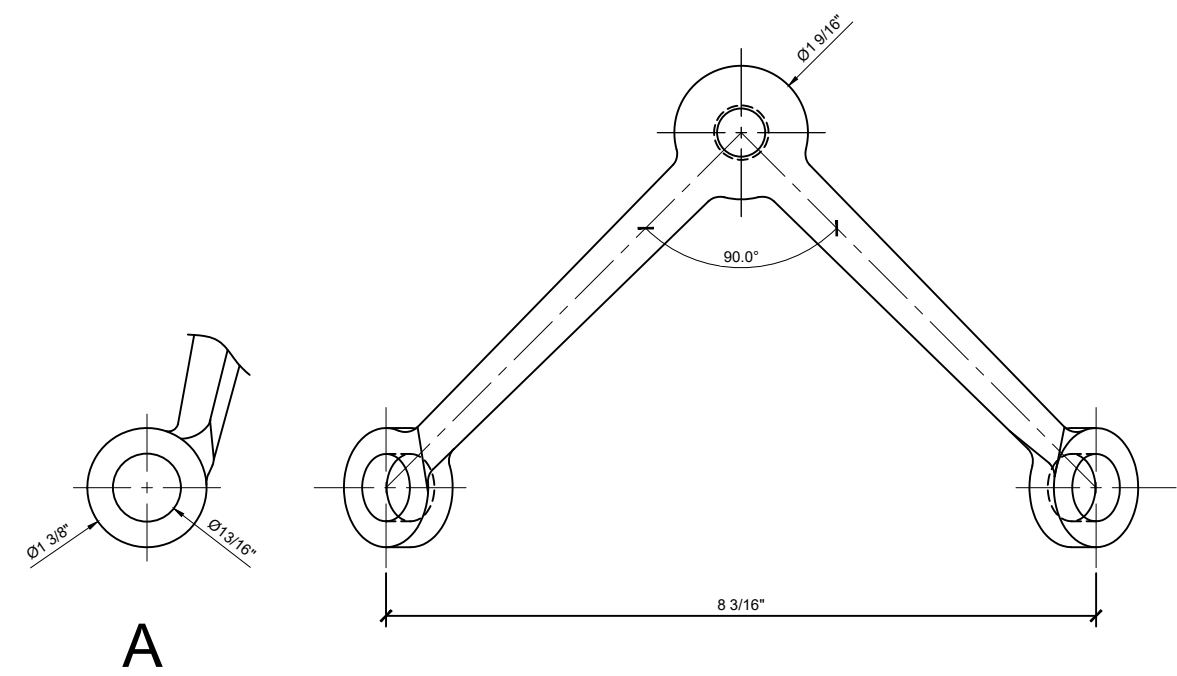
Revisions By:

**CRL**

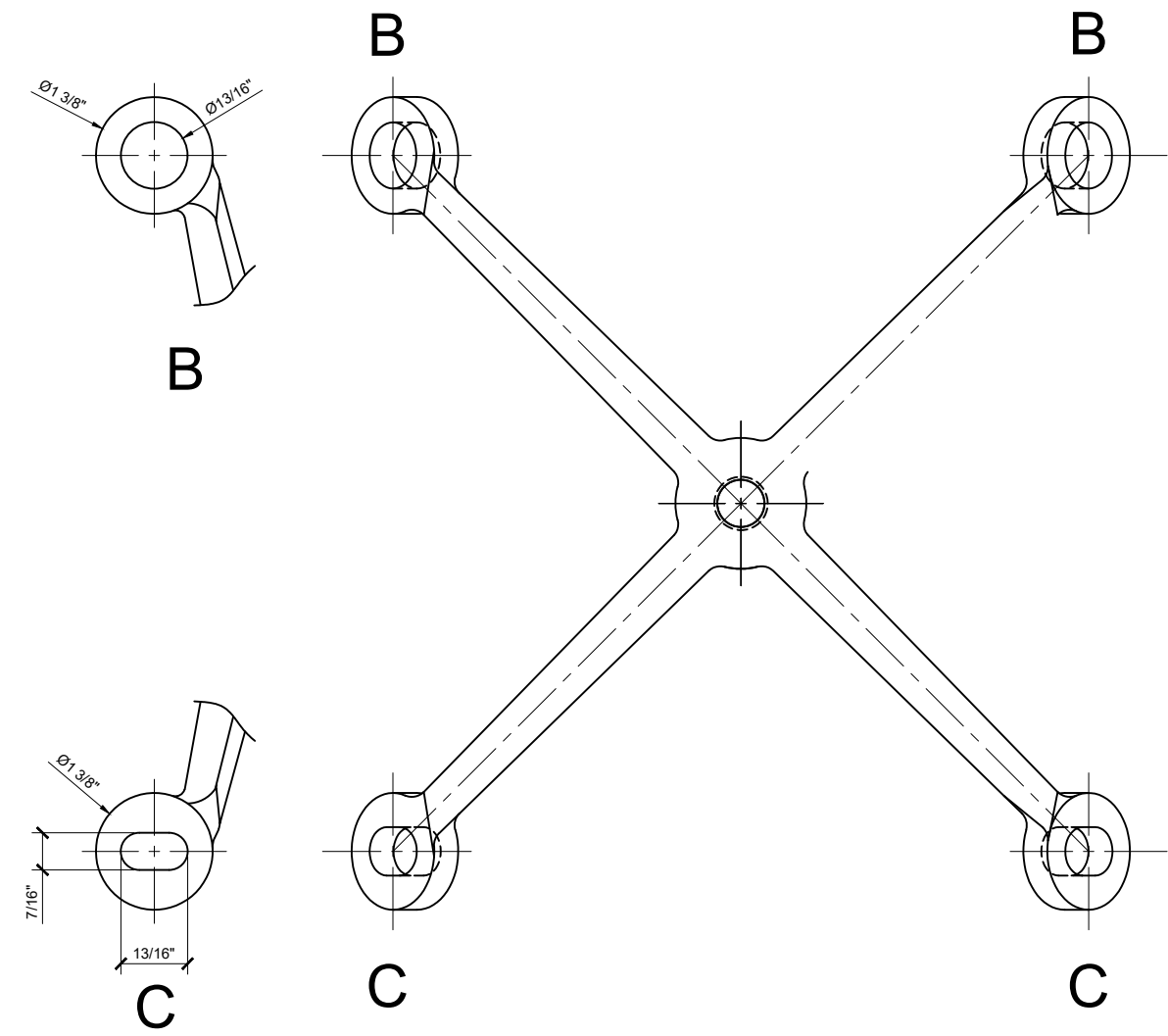
2503 E. Vanowen Avenue, Los Angeles, CA 90058-1807  
PH (800)-421-6144 FX 800-597-7501 www.crlusa.com

Description:  
CRL SPIDER FITTINGS

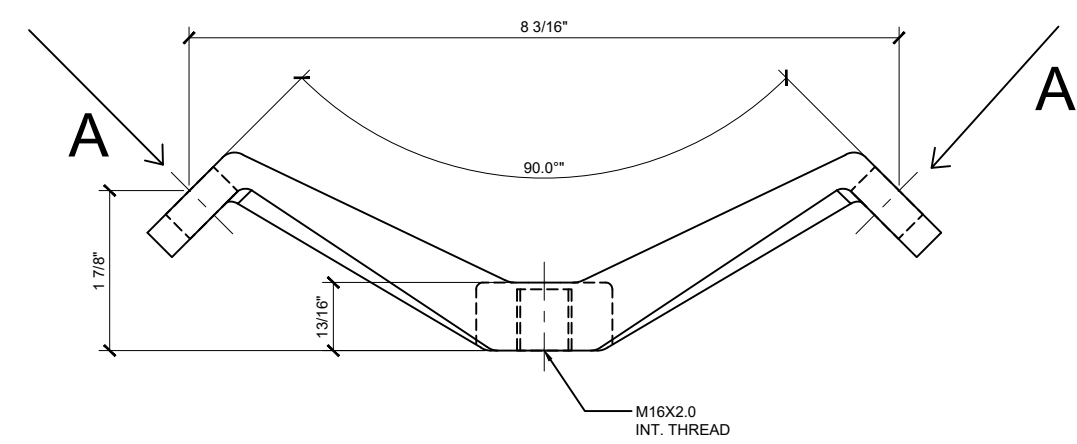
Drawn By:JRM  
Date: 4/4/17  
Scale: FULL  
File Name:Spider Fittings.dwg  
Sheet



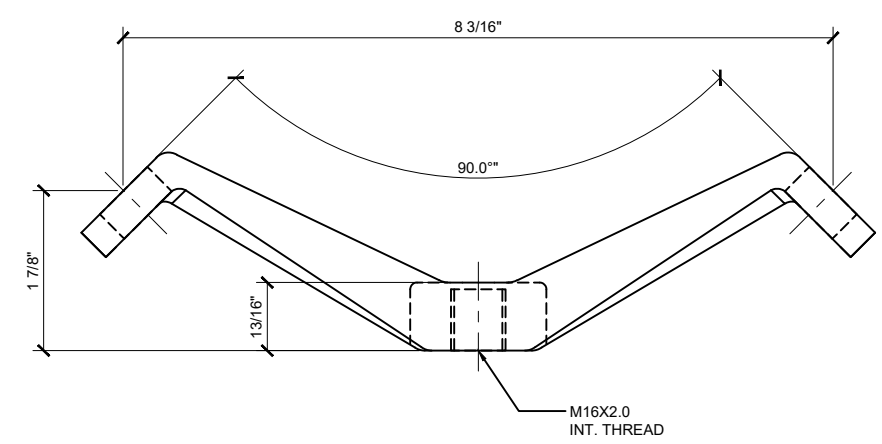
AVAILABLE FINISHES  
PMR2V90BS = BRUSHED STAINLESS STEEL  
PMR2V90PS = POLISHED STAINLESS STEEL



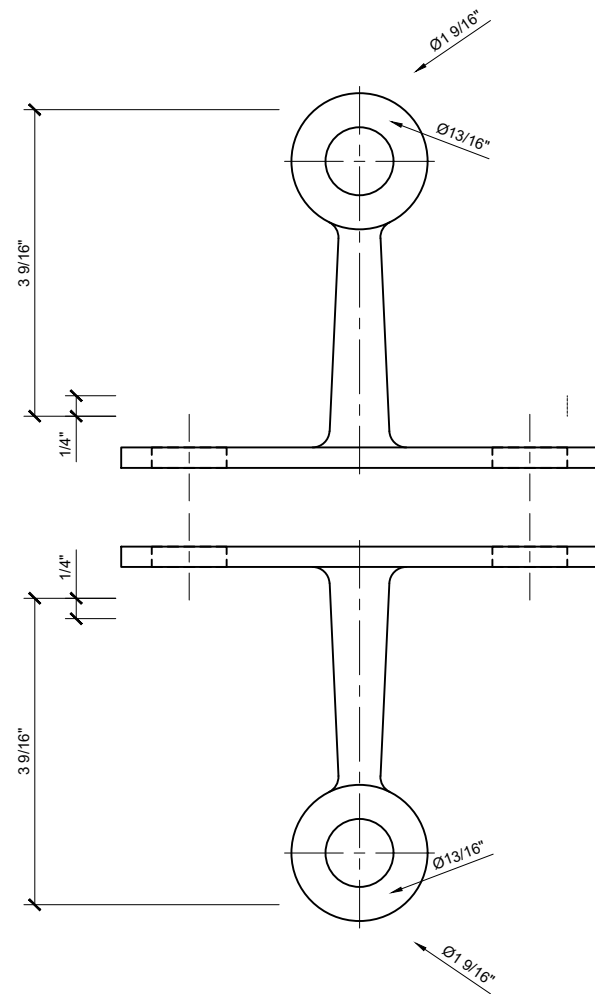
AVAILABLE FINISHES  
PMR490BS = BRUSHED STAINLESS STEEL  
PMR490PS = POLISHED STAINLESS STEEL



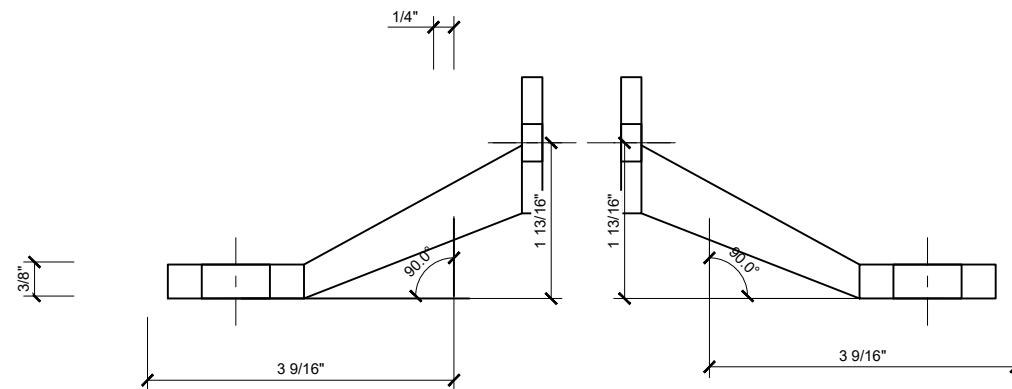
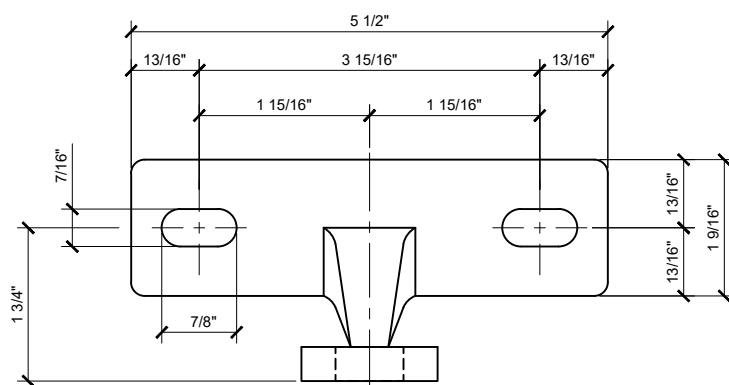
DOUBLE ARM "V" 90° REGULAR-DUTY POST MOUNT FITTING PMR2V90 ①



4-WAY ARM "V" 90° REGULAR-DUTY POST MOUNT FITTING PMR490 ①



AVAILABLE FINISHES  
 FMR2BS = BRUSHED STAINLESS STEEL  
 FMR2PS = POLISHED STAINLESS STEEL



**DOUBLE ARM REGULAR-DUTY POST MOUNT FITTING FMR2** ①

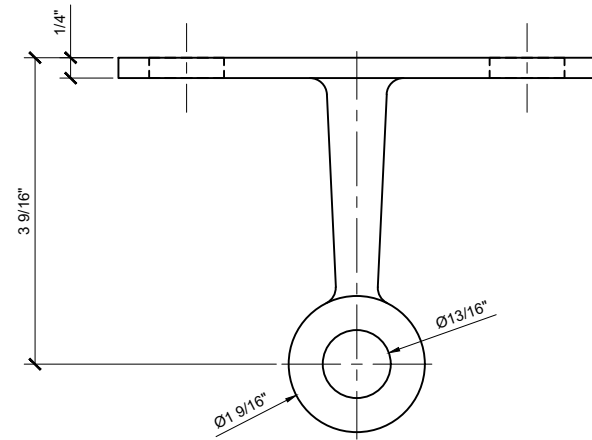
Revisions By:



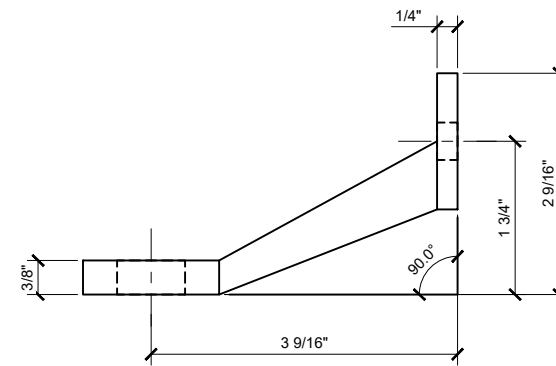
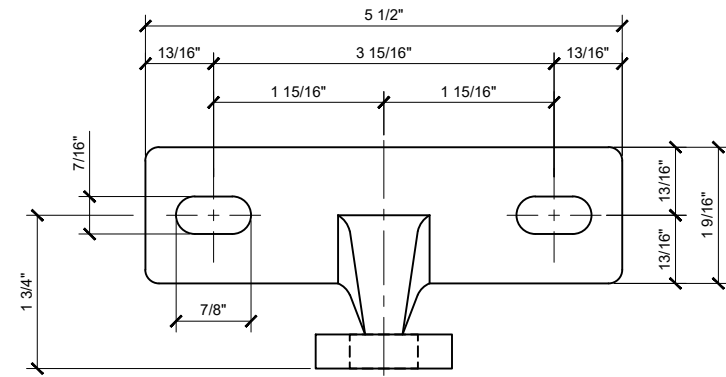
2903 E. Vesper Avenue, Los Angeles, CA 90058-1807  
 PH (800)-421-6144 FX 800-587-7501 www.crlaurence.com

Description:  
 CRL SPIDER FITTINGS

Drawn By: JRM  
 Date: 4/4/17  
 Scale: FULL  
 File Name: Spider Fittings.dwg



AVAILABLE FINISHES  
 FMR1BS = BRUSHED STAINLESS STEEL  
 FMR1PS = POLISHED STAINLESS STEEL



SINGLE ARM REGULAR-DUTY POST MOUNT FITTING FMR1 ①

Revisions By:

**CRL.**  
 2503 E. Vanson Avenue, Los Angeles, CA 90058-1807  
 PH (800)-421-6144 FX 800-587-7501 www.crlaurence.com

Discription:  
 CRL SPIDER FITTINGS

Drawn By:JRM  
 Date: 4/4/17  
 Scale: FULL  
 File Name:Spider Fittings.dwg  
 Sheet

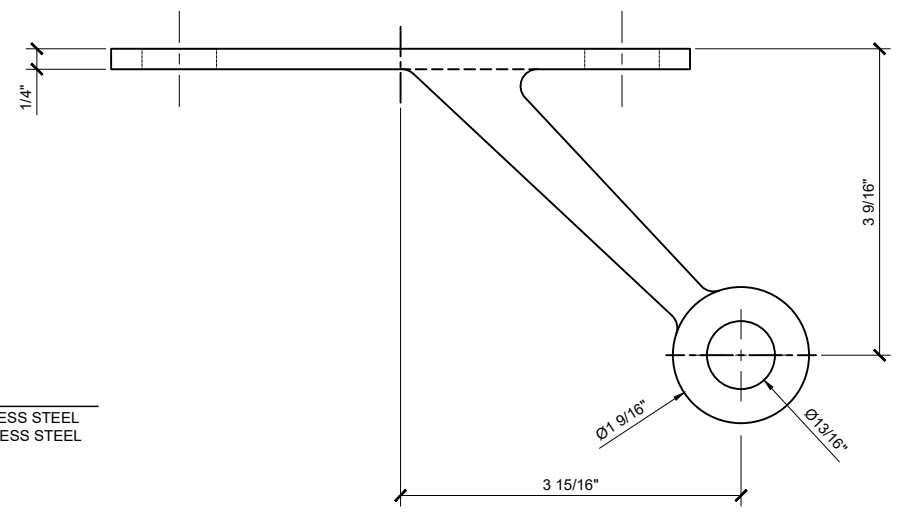
Revisions By:

# CRL

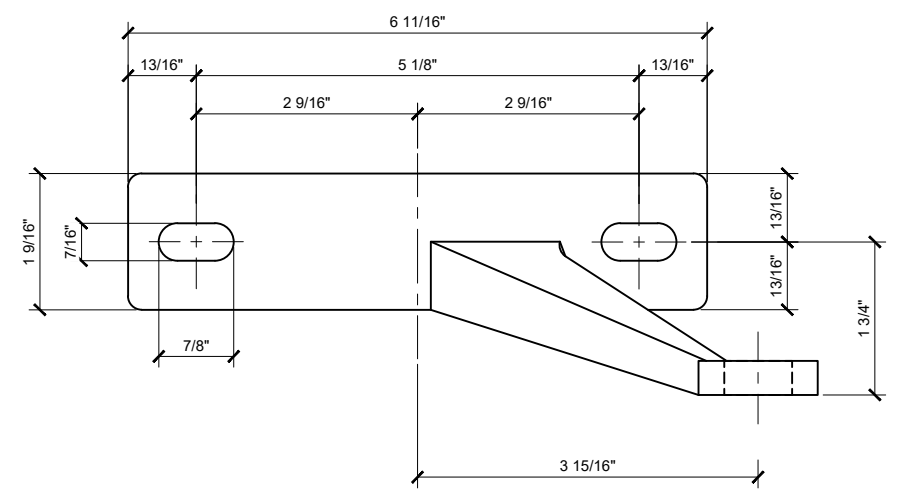
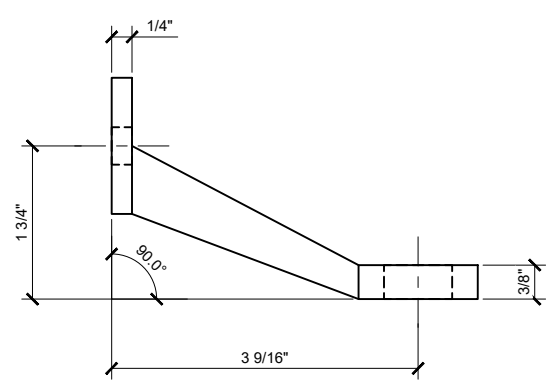
2903 E. Vinton Avenue, Los Angeles, CA 90058-1807  
PH (800)-421-6144 FX 800-587-7501 www.crlaerance.com

Description:  
CRL SPIDER FITTINGS

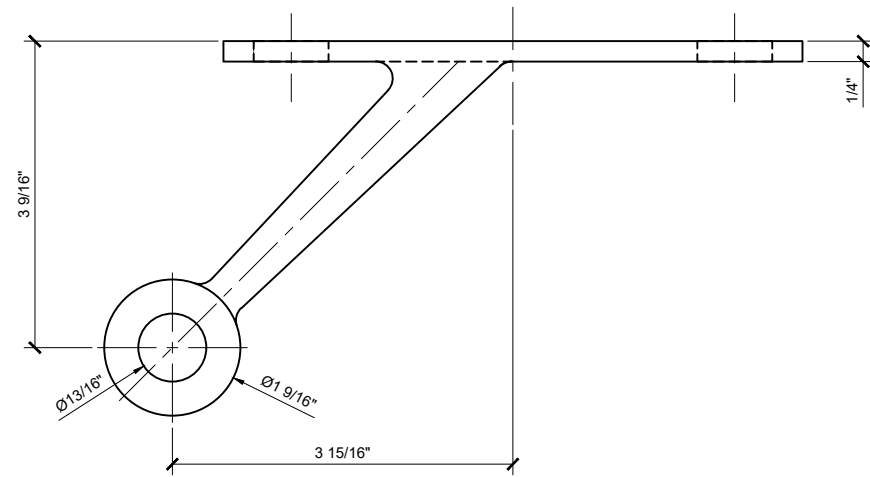
Drawn By:JRM  
Date: 4/4/17  
Scale: FULL  
File Name:Spider Fittings.dwg  
Sheet



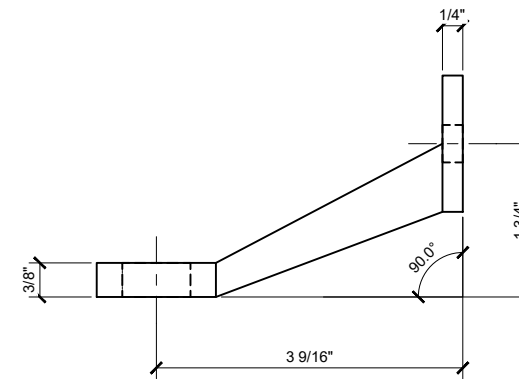
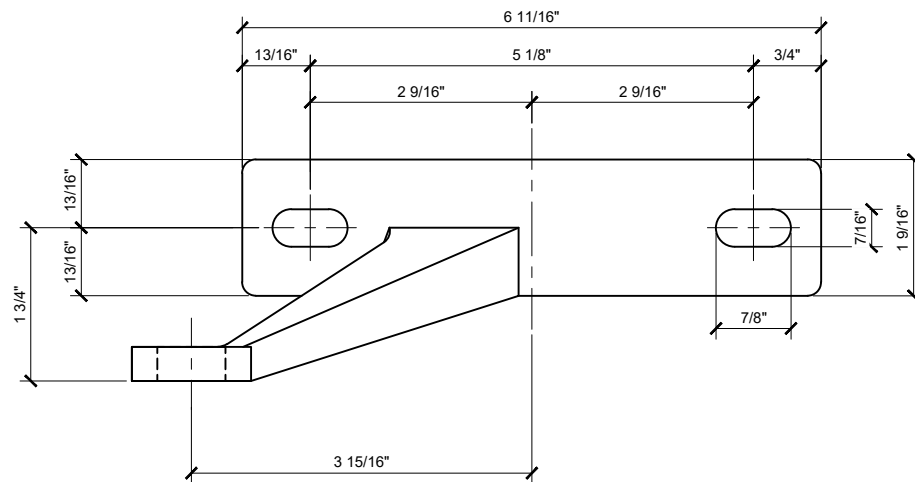
AVAILABLE FINISHES  
FMR1LHBS = BRUSHED STAINLESS STEEL  
FMR1LHPS = POLISHED STAINLESS STEEL



LEFT HAND SINGLE ARM REGULAR-DUTY POST MOUNT FITTING FMR1LH ①



AVAILABLE FINISHES  
 FMR1RHBS = BRUSHED STAINLESS STEEL  
 FMR1RHPS = POLISHED STAINLESS STEEL



**RIGHT HAND SINGLE ARM REGULAR-DUTY POST MOUNT FITTING FMR1RH** ①

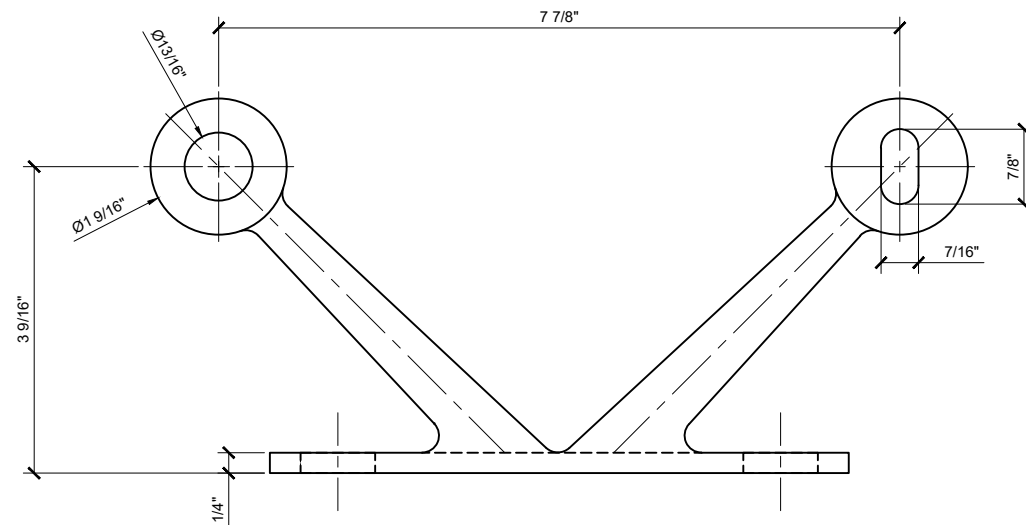
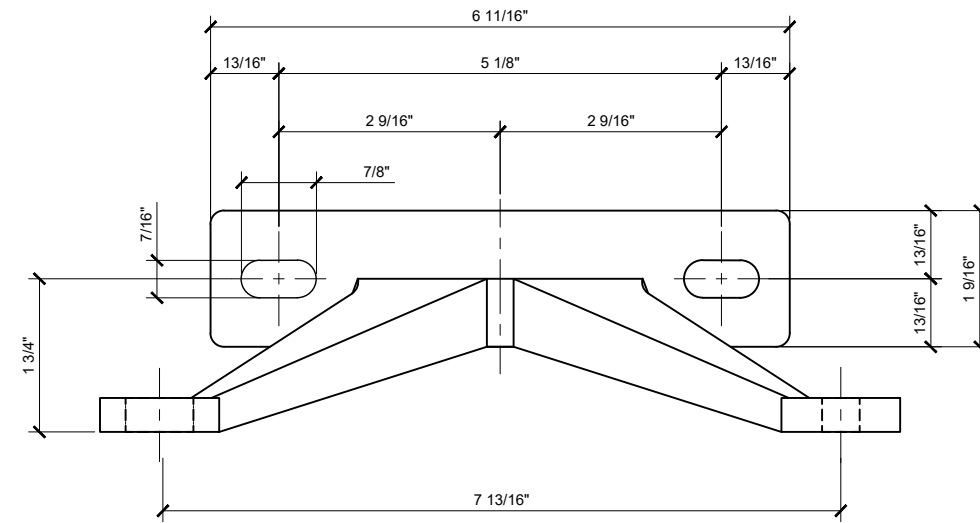
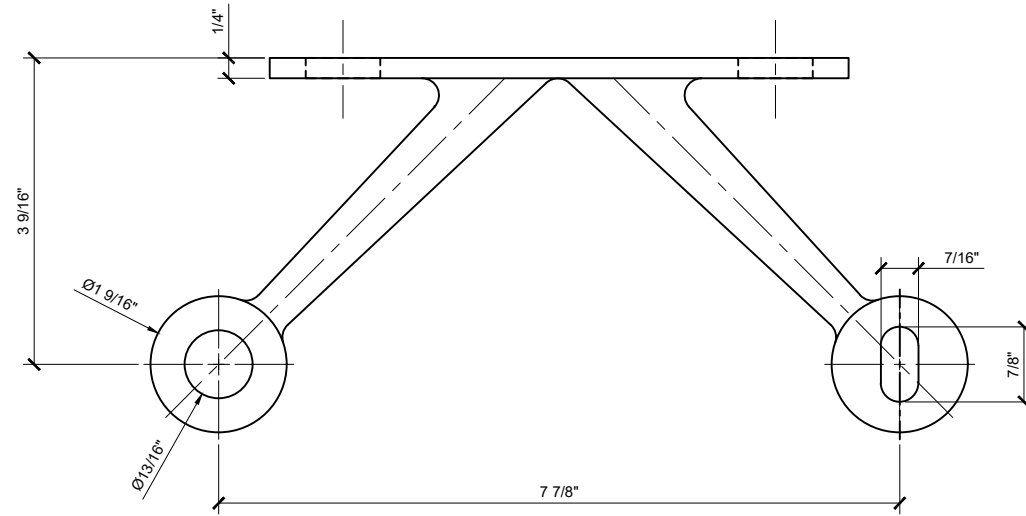
Revisions By:

**CRL.**

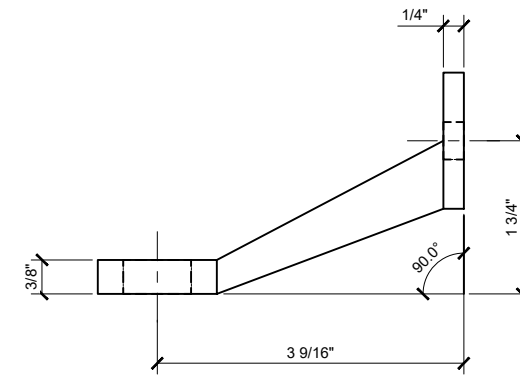
2503 E. Vinton Avenue, Los Angeles, CA 90058-1807  
 PH (800)-421-6144 FX 800-587-7501 www.crlaerence.com

Description:  
 CRL SPIDER FITTINGS

Drawn By: JRM  
 Date: 4/4/17  
 Scale: FULL  
 File Name: Spider Fittings.dwg  
 Sheet



AVAILABLE FINISHES  
 FMR2VBS = BRUSHED STAINLESS STEEL  
 FMR2VPS = POLISHED STAINLESS STEEL



**DOUBLE ARM "V" REGULAR-DUTY POST MOUNT FITTING FMR2V**

①

Revisions By:

**CRL**

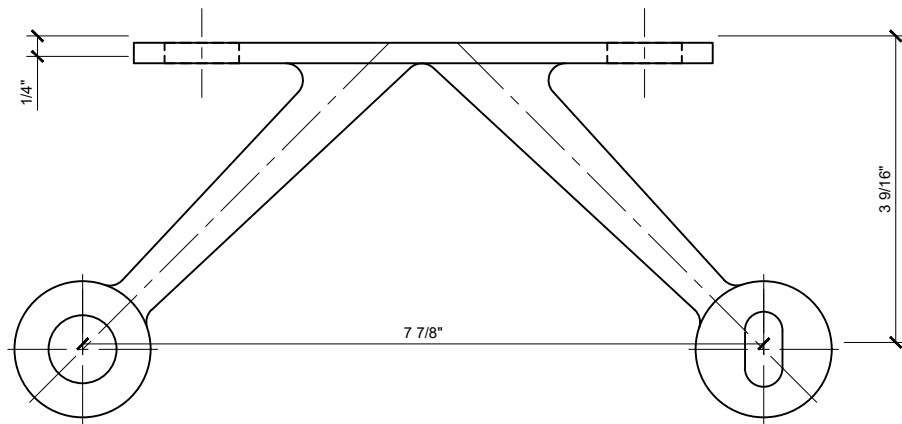
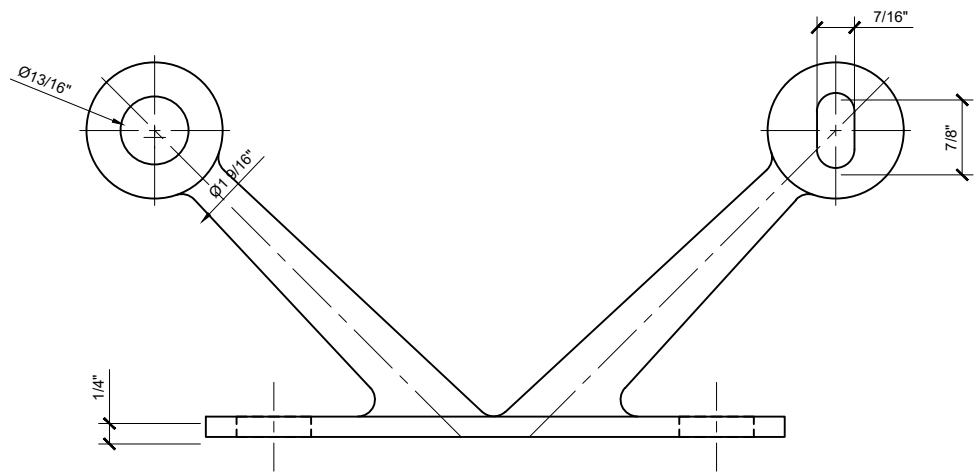
2503 E. Vinton Avenue, Los Angeles, CA 90058-1807  
 PH (800)-421-6144 FX 800-587-7501 www.crlaurence.com

Description:  
 CRL SPIDER FITTINGS

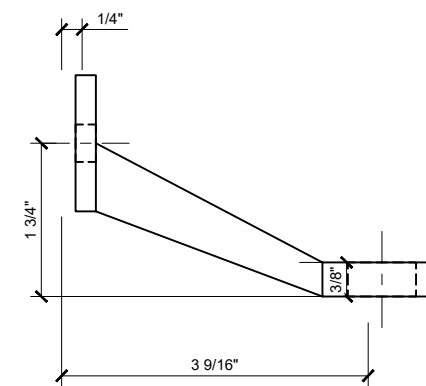
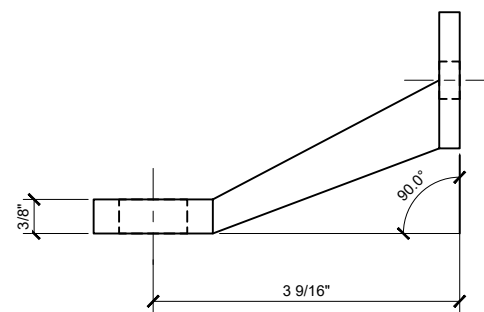
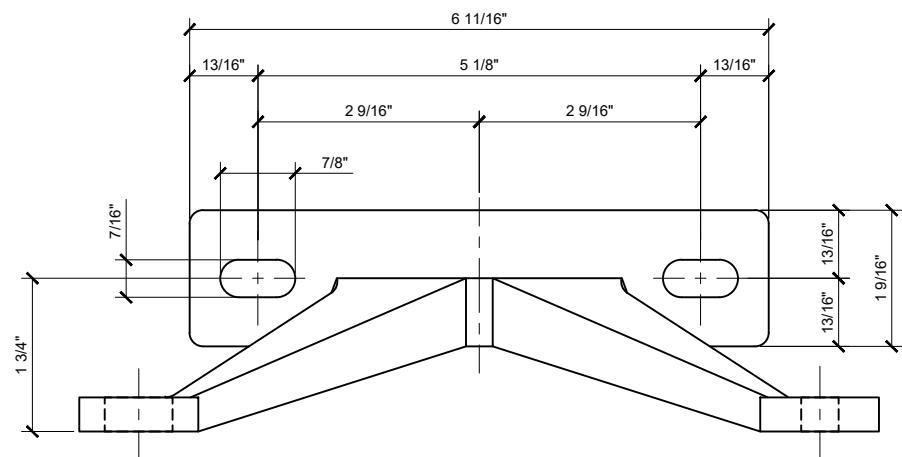
Drawn By:JRM  
 Date: 4/4/17  
 Scale: FULL  
 File Name:Spider Fittings.dwg  
 Sheet

8





AVAILABLE FINISHES  
 FMR4BS = BRUSHED STAINLESS STEEL  
 FMR4PS = POLISHED STAINLESS STEEL



FOUR ARM "V" REGULAR-DUTY POST MOUNT FITTING FMR4

1

Revisions By:

**CRL**

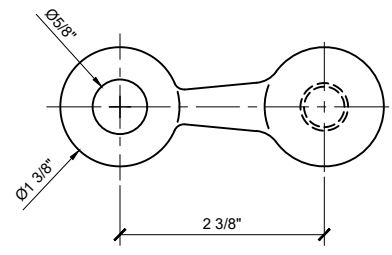
2503 E. Vinton Avenue, Los Angeles, CA 90058-1807  
 PH (800)-421-6144 FX 800-587-7501 www.crlusa.com

Description:  
 CRL SPIDER FITTINGS

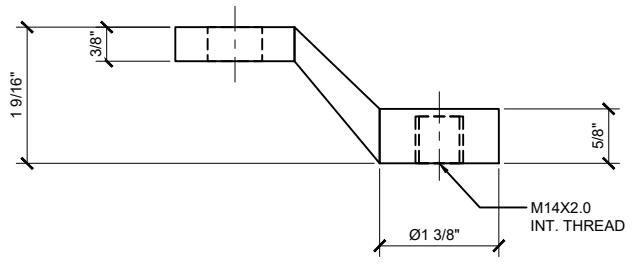
Drawn By: JRM  
 Date: 4/4/17  
 Scale: FULL  
 File Name: Spider Fittings.dwg

Sheet

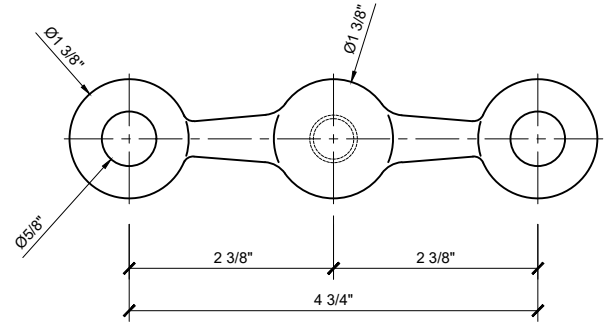
9



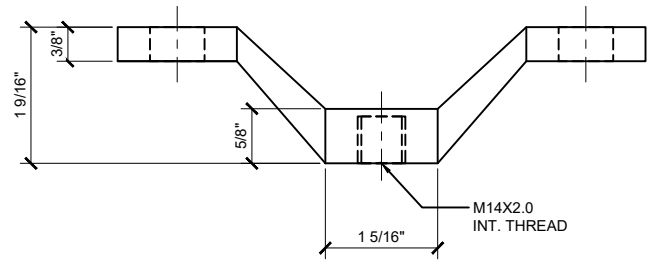
AVAILABLE FINISHES  
 GRP1BS = BRUSHED STAINLESS STEEL  
 GRP1PS = POLISHED STAINLESS STEEL



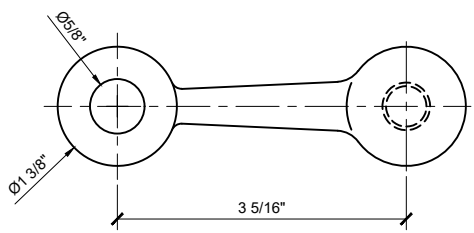
**SINGLE ARM POST MOUNTED FITTING GRP1** ①



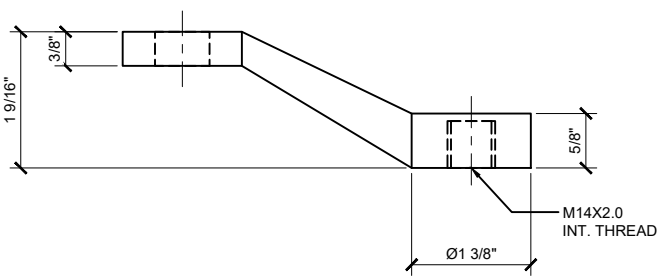
AVAILABLE FINISHES  
 GRP2BS = BRUSHED STAINLESS STEEL  
 GRP2PS = POLISHED STAINLESS STEEL



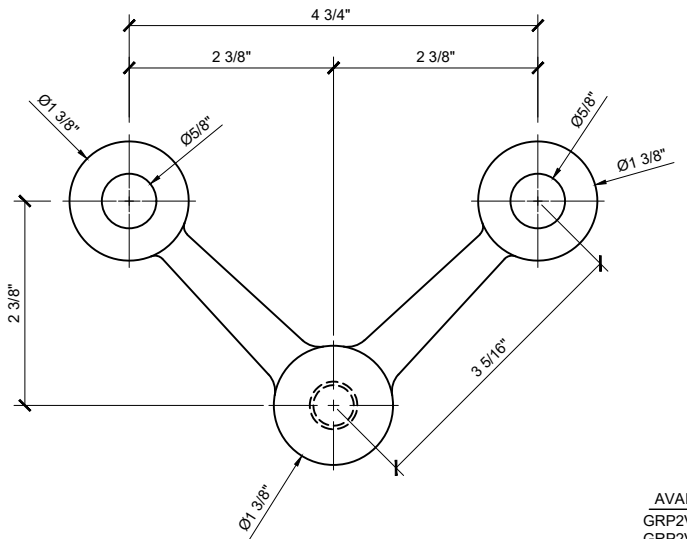
**DOUBLE ARM POST MOUNTED FITTING GRP2** ②



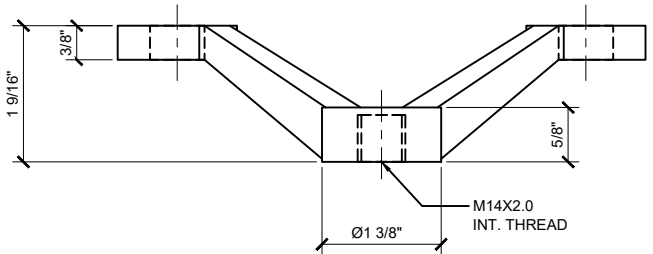
AVAILABLE FINISHES  
 GRP1LBS = BRUSHED STAINLESS STEEL  
 GRP1LPS = POLISHED STAINLESS STEEL



**SINGLE LONG ARM POST MOUNTED FITTING GRP1L** ③



AVAILABLE FINISHES  
 GRP2VBS = BRUSHED STAINLESS STEEL  
 GRP2VPS = POLISHED STAINLESS STEEL



**DOUBLE ARM "V" POST MOUNTED FITTING GRP2V** ④

Revisions By:

**CRL**

2503 E. Vesper Avenue, Los Angeles, CA 90058-1807  
 PH (800)-421-6144 FX 800-587-7501 www.crlaurence.com

Discription:  
 CRL SPIDER FITTINGS

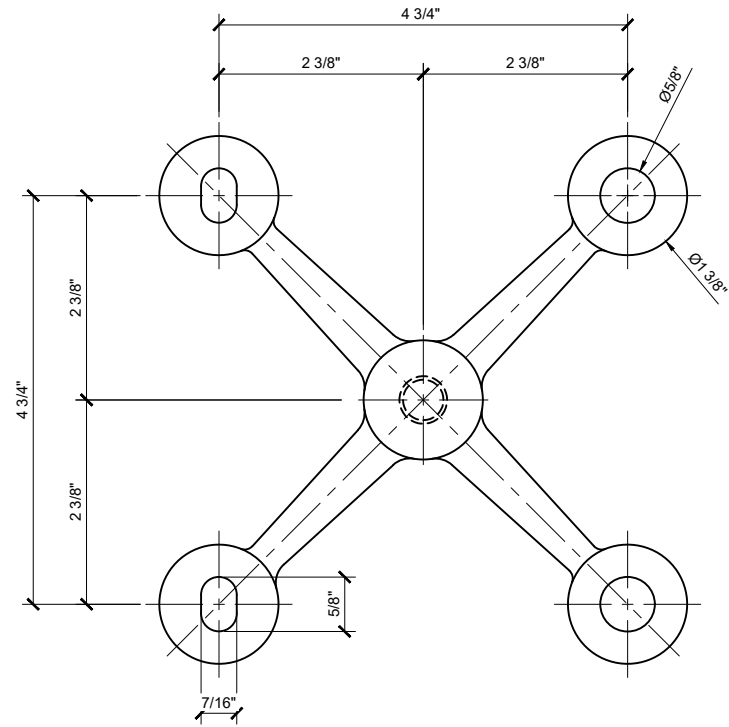
Drawn By:JRM

Date: 4/4/17

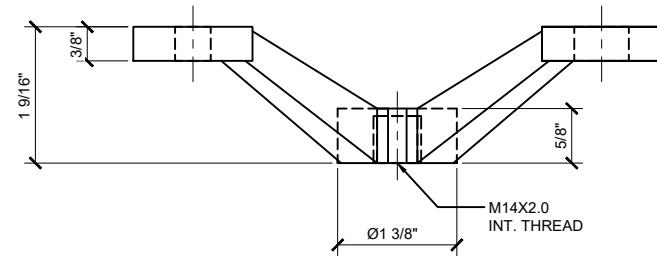
Scale: FULL

File Name:Spider Fittings.dwg

Sheet



AVAILABLE FINISHES  
 GRP4BS = BRUSHED STAINLESS STEEL  
 GRP4PS = POLISHED STAINLESS STEEL



**FOUR ARM "V" POST MOUNTED FITTING GRP4** ①

Revisions By:

**CRL.**

2503 E. Vesper Avenue, Los Angeles, CA 90058-1807  
 PH (800)-421-6144 FX 800-587-7501 www.crlaurence.com

Description:  
 CRL SPIDER FITTINGS

Drawn By:JRM  
 Date: 4/4/17  
 Scale: FULL  
 File Name:Spider Fittings.dwg  
 Sheet

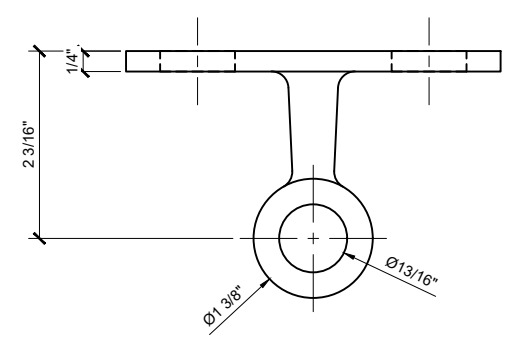
Revisions By:

**CRL.**

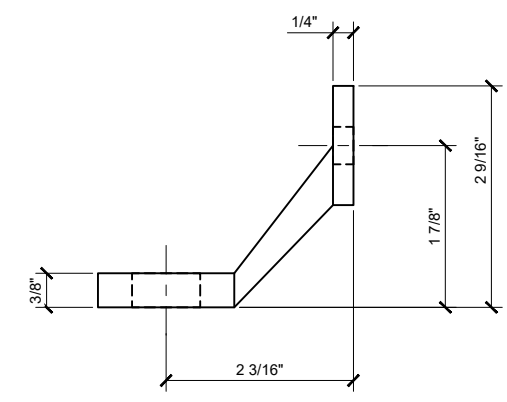
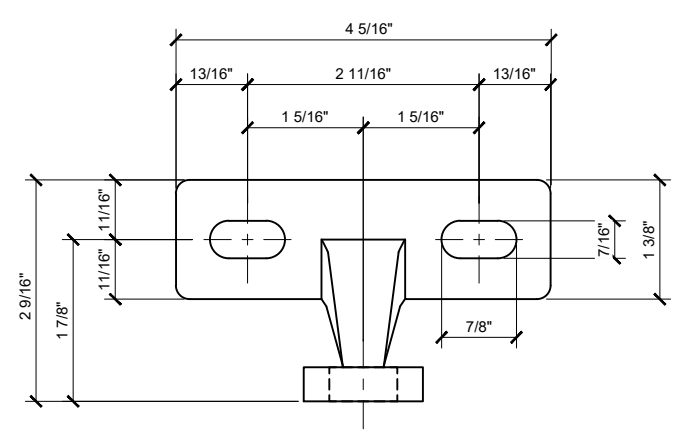
2503 E. Vesper Avenue, Los Angeles, CA 90058-1807  
PH (800)-421-6144 FX 800-587-7501 www.crlaerence.com

Description:  
CRL SPIDER FITTINGS

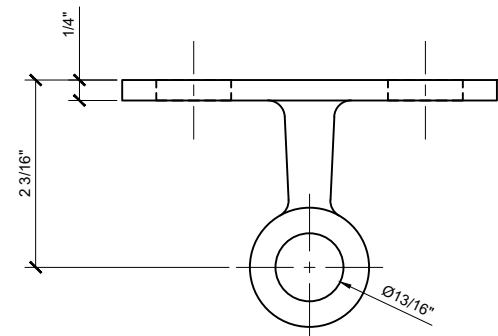
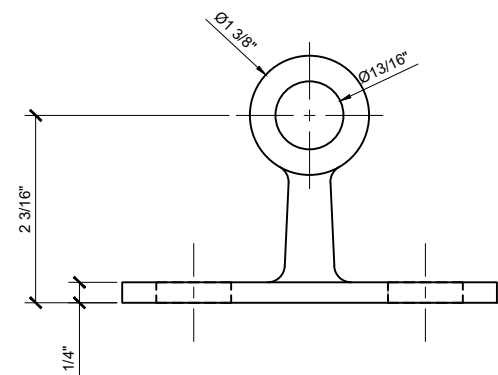
Drawn By:JRM  
Date: 4/4/17  
Scale: FULL  
File Name:Spider Fittings.dwg  
Sheet



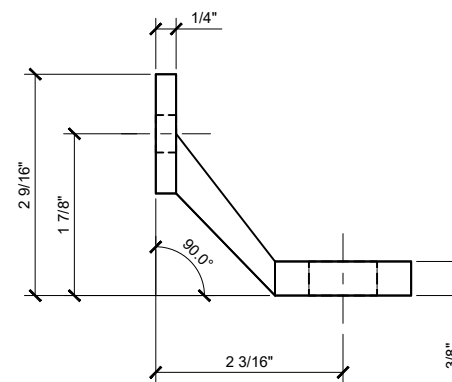
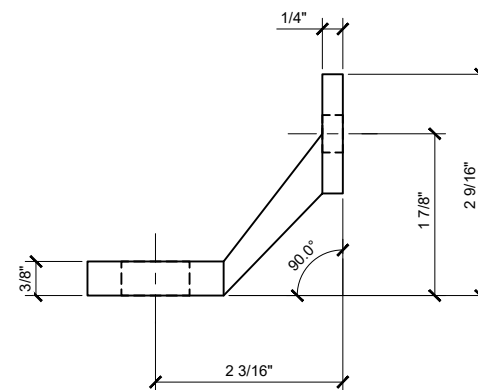
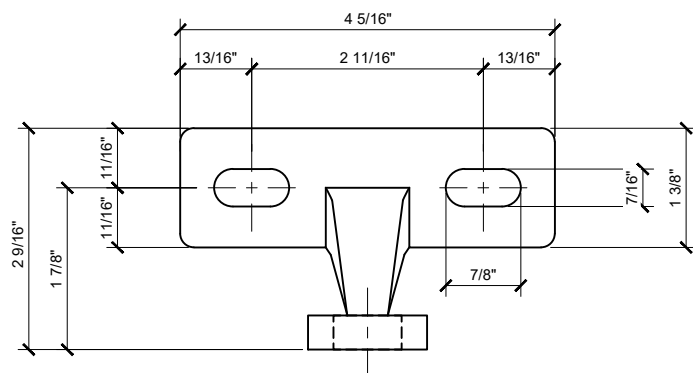
AVAILABLE FINISHES  
GRF1BS = BRUSHED STAINLESS STEEL  
GRF1PS = POLISHED STAINLESS STEEL



SINGLE ARM WALL/FIN MOUNTED FITTING GRF1 ①



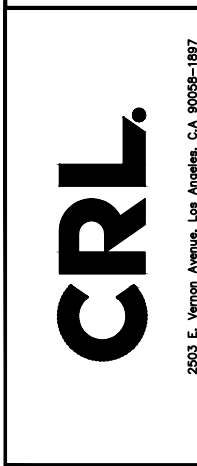
AVAILABLE FINISHES  
 GRF2BS = BRUSHED STAINLESS STEEL  
 GRF2PS = POLISHED STAINLESS STEEL



DOUBLE ARM WALL/FIN MOUNTED FITTING GRF2

①

Revisions By:



2503 E. Vanson Avenue, Los Angeles, CA 90058-1807  
 PH (800)-421-6144 FX 800-587-7501 www.crlaurence.com

Description:  
 CRL SPIDER FITTINGS

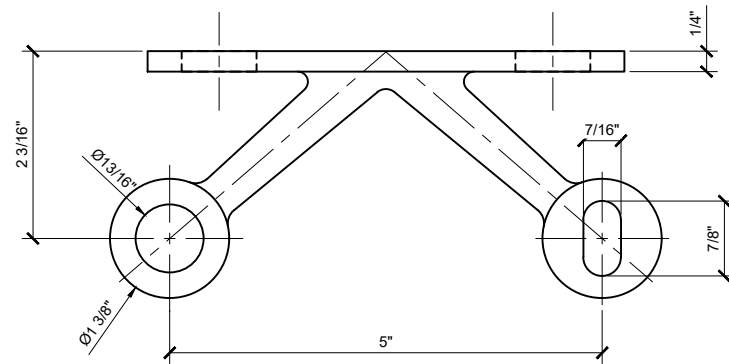
Drawn By:JRM

Date: 4/4/17

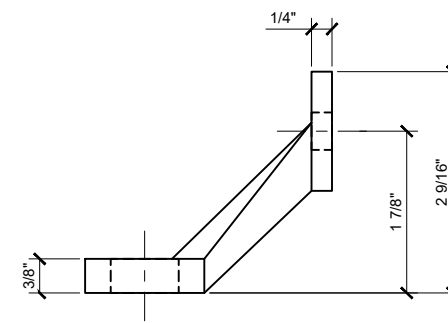
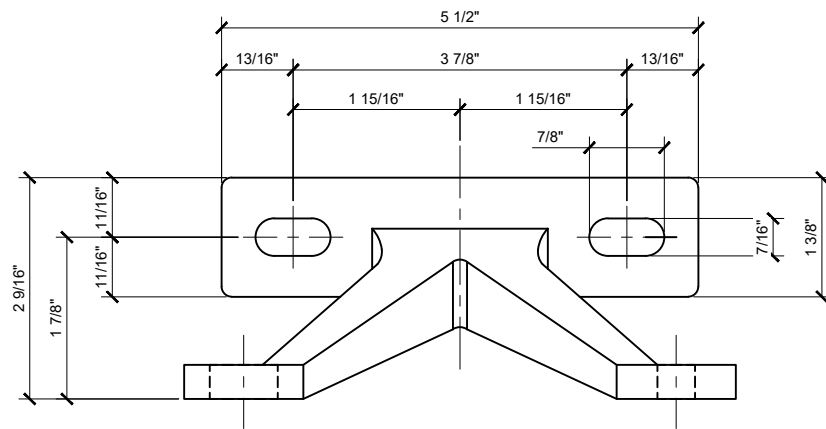
Scale: FULL

File Name:Spider Fittings.dwg

Sheet



AVAILABLE FINISHES  
 GRF2VBS = BRUSHED STAINLESS STEEL  
 GRF2VPS = POLISHED STAINLESS STEEL



**DOUBLE ARM "V" WALL/FIN MOUNTED FITTING GRF2V** ①

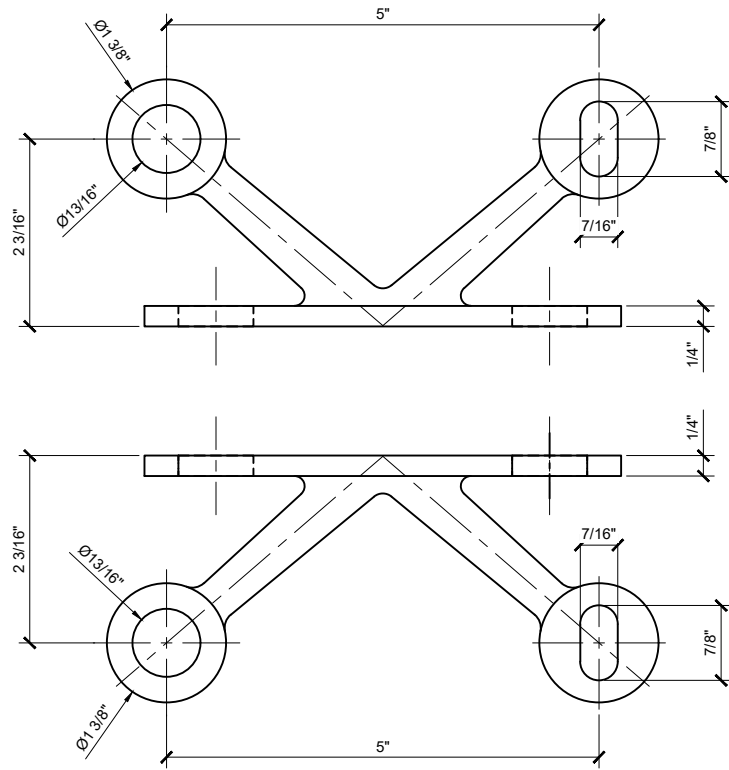
Revisions By:

**CRL.**

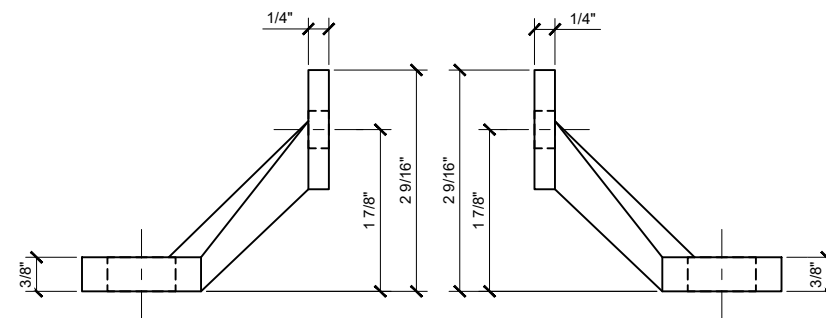
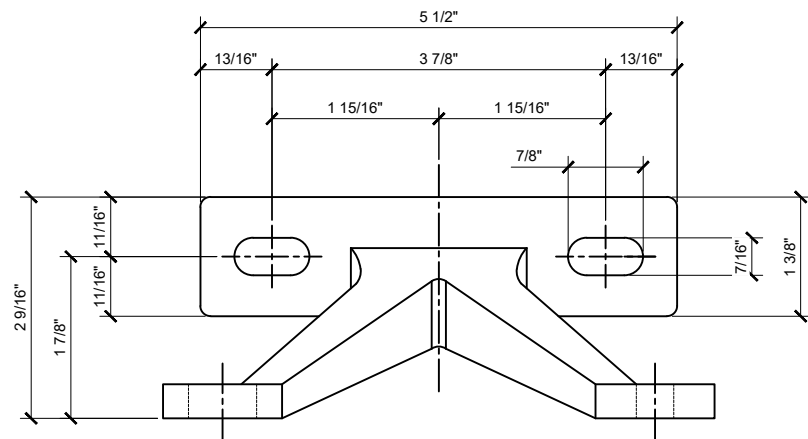
2503 E. Vanson Avenue, Los Angeles, CA 90058-1807  
 PH (800)-421-6144 FX 800-587-7501 www.crlaerence.com

Description:  
 CRL SPIDER FITTINGS

Drawn By:JRM  
 Date: 4/4/17  
 Scale: FULL  
 File Name:Spider Fittings.dwg  
 Sheet



AVAILABLE FINISHES  
 GRF4BS = BRUSHED STAINLESS STEEL  
 GRF4PS = POLISHED STAINLESS STEEL



**FOUR ARM "V" WALL/FIN MOUNTED FITTING GRF4**

①

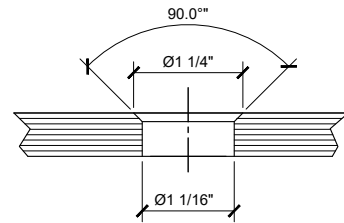
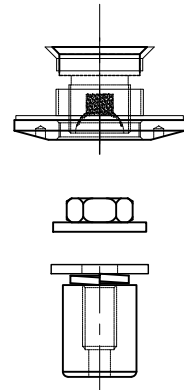
Revisions By:

**CRL.**

2903 E. Vesper Avenue, Los Angeles, CA 90058-1807  
 PH (800)-421-6144 FX 800-597-7501 www.crlaurence.com

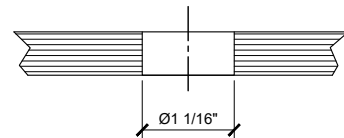
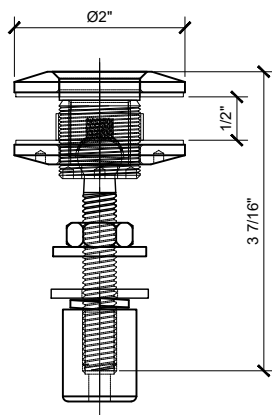
Description:  
 CRL SPIDER FITTINGS

Drawn By: JRM  
 Date: 4/4/17  
 Scale: FULL  
 File Name: Spider Fittings.dwg



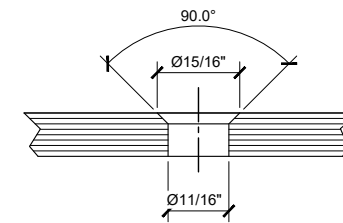
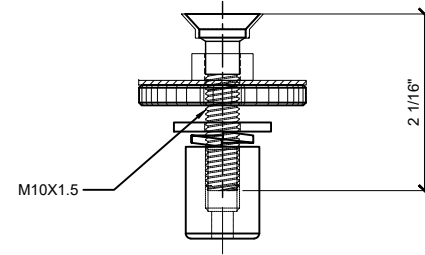
FLUSH MOUNT GLASS FABRICATION

AVAILABLE FINISHES  
 RSF10BS = BRUSHED STAINLESS STEEL  
 RSF10PS = POLISHED STAINLESS STEEL



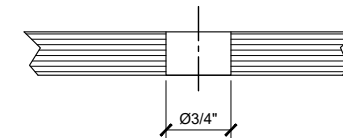
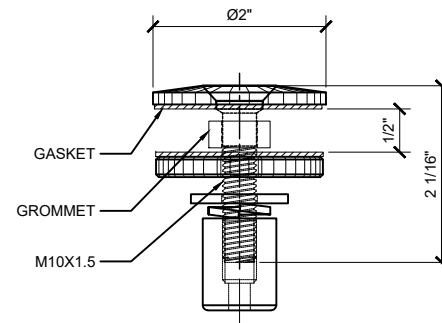
CAP MOUNT GLASS FABRICATION

SWIVEL HEAD COMBINATION GLASS ATTACHMENT RSF10 ①



FLUSH MOUNT GLASS FABRICATION

AVAILABLE FINISHES  
 RRF10BS = BRUSHED STAINLESS STEEL  
 RRF10PS = POLISHED STAINLESS STEEL



CAP MOUNT GLASS FABRICATION

RIGID HEAD COMBINATION GLASS ATTACHMENT RRF10 ②

Revisions By:

**CRL**

2903 E. Vesper Avenue, Los Angeles, CA 90058-1807  
 PH (800)-421-6144 FX 800-587-7501 www.crlaerence.com

Discription:  
 CRL SPIDER FITTINGS

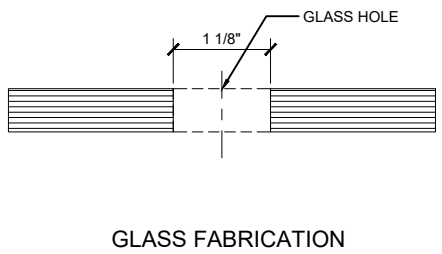
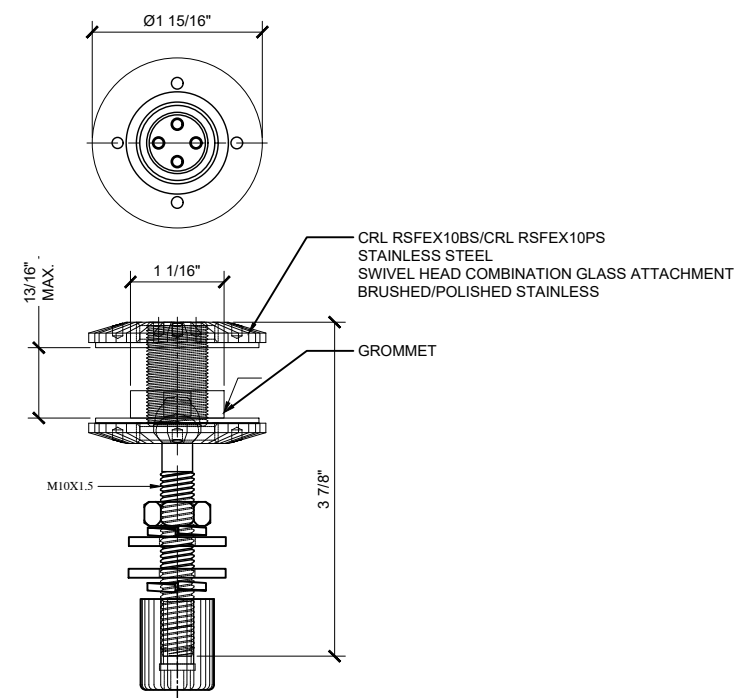
Drawn By:JRM  
 Date: 4/4/17  
 Scale: FULL  
 File Name:Spider Fittings.dwg



Revisions By:

**CRL.**

2503 E. Vanowen Avenue, Los Angeles, CA 90058-1807  
PH (800)-421-6144 FX 800-587-7501 www.crlaerence.com



SWIVEL HEAD COMBINATION GLASS ATTACHMENT RSFEX10 ①

Description:  
CRL SPIDER FITTINGS

Drawn By:JRM  
Date: 4/4/17  
Scale: FULL  
File Name:Spider Fittings.dwg  
Sheet