



**Oldcastle** BuildingEnvelope™

***MS-360 MALL SLIDER***  
***INSTALLATION AND GLAZING MANUAL***

*Note: Installation and Glazing Manuals are product specific. **FOR REVIEW ONLY!***

# M S - 3 6 0 I N S T A L L A T I O N M A N U A L

## CONTENTS

General Information .....	Page 2
Assembly Drawing .....	Page 3
Frame Assembly .....	Page 4 – 5
Glass Installation .....	Page 6 – 7
Parts List .....	Page 7

## GENERAL INFORMATION:

### PRODUCT USE

The **MS-360** mall sliding storefront system by Oldcastle BuildingEnvelope™ is intended for installation by glazing professionals with appropriate experience. Subcontractors without experience should employ a qualified person to provide field instruction and project management.

Oldcastle BuildingEnvelope™ does not control the application or selection of its product configurations, sealant or glazing material and assumes no responsibility thereof. It is the responsibility of the owner, architect and installer to make these selections in strict compliance with applicable laws and building codes.

**Consult sealant manufacturer for review and recommendation of sealant application. Follow sealant manufacturer's recommendations and literature for proper installation.**

### PROTECTION AND STORAGE

Handle all material carefully. Do not drop from the truck. Stack with adequate separation so the material will not rub together. Store material off the ground, protecting against the elements and other construction hazards by using a well ventilated covering. Remove material from package if wet or located in a damp area. For further guidelines consult AAMA publication CW-10, "Care and Handling of Architectural Aluminum From Shop to Site."

### CHECK MATERIAL

Check all material upon arrival at job sit for quality and to determine any shipping damage. Any visible damage must be noted on the freight bill at the time of receipt. If a claim is required, then the receiving party must process a claim with the freight company.

Using the contract documents, completely check the surrounding conditions that will receive your materials. Notify the general contractor by letter of any discrepancies before proceeding with the work. Failure to do so constitutes acceptance of work by other trades.

Check shop drawings, installation instructions, architectural drawings and shipping lists to become familiar with the project. The shop drawings take precedence and include specific details for the project. The installation instructions are of a general nature and cover the most common conditions. Due to varying job conditions all sealant used must be approved by the sealant manufacturer to insure it will perform per the conditions shown on the instructions and shop drawings. The sealant must be compatible with all surfaces in which adhesion is required, including other sealant surfaces. Use primers where directed by sealant manufacturer. Properly store sealant at the recommended temperatures and check sealant for remainder of shelf life before using.

### FIELD CONDITIONS

1. Not recommended for exterior use where door must be water tight.
2. All material to be installed must be plumb, level and true. Aluminum to be placed in direct contact with masonry or incompatible material should be isolated with a heavy coat of zinc chromate, bituminous paint or non-metallic material.
3. Coordinate protection of install materials with general contractors and other trades.

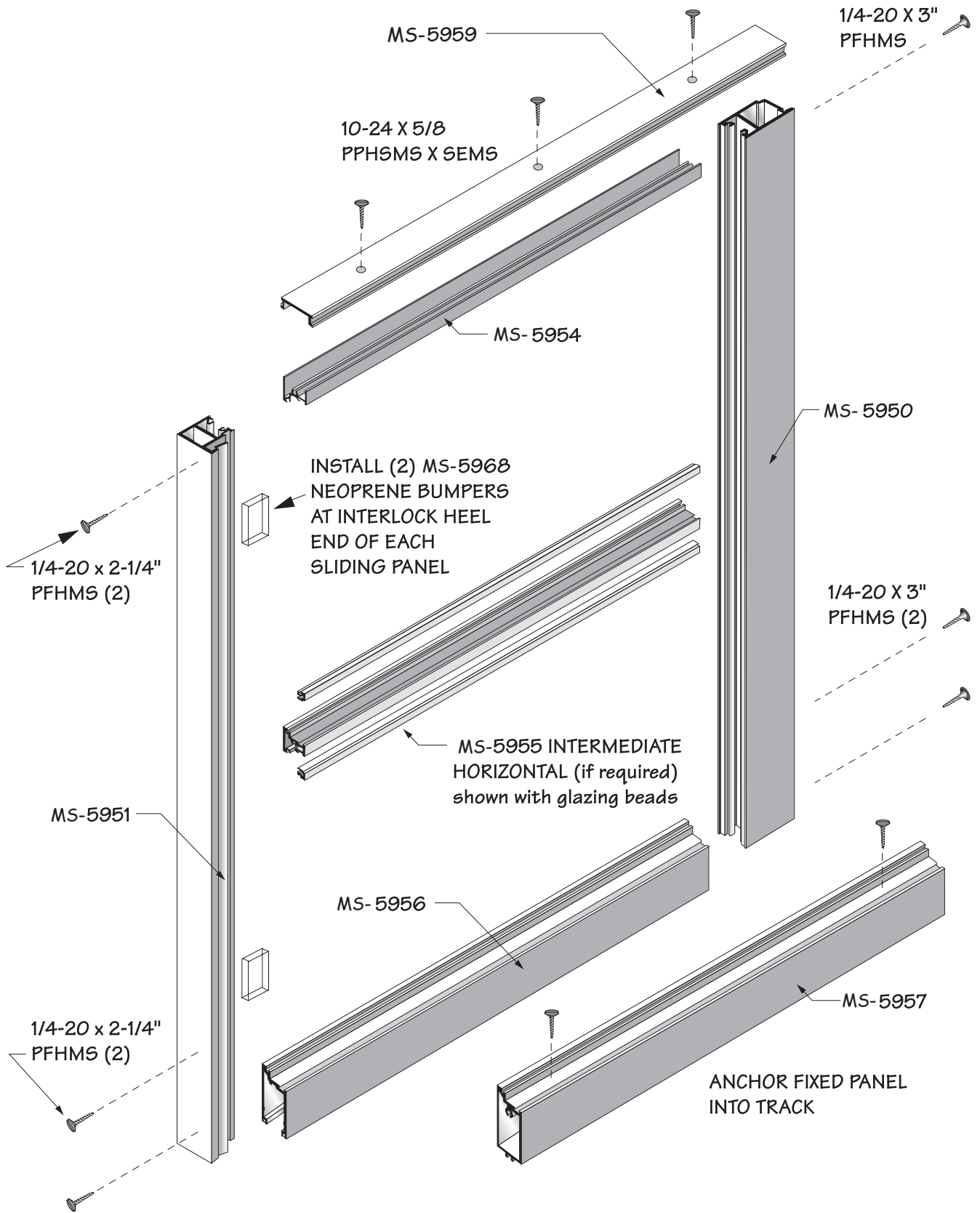
### CLEANING MATERIALS

Cement, plaster terrazzo, alkaline and acid based materials used to clean masonry are very harmful to finishes. Any residue should be removed with water and mild soap immediately or permanent staining will occur. A spot test is recommended before any cleaning agent is used.

### MAINTENANCE

Keep tracks free of debris, including areas where panels stack. Wax tracks periodically using wax stick. Actual waxing schedule depends on door use factors, including traffic, season and climate, but once a week in high traffic areas should keep panels operating smoothly.

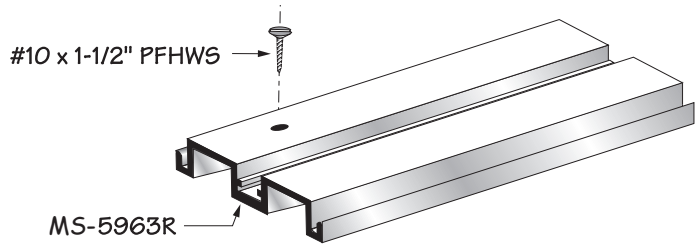
# MS-360 INSTALLATION MANUAL



FRAME ASSEMBLY

NOTE: TRACK & HEAD MUST BE LEVEL AND JAMBS MUST BE PLUMB

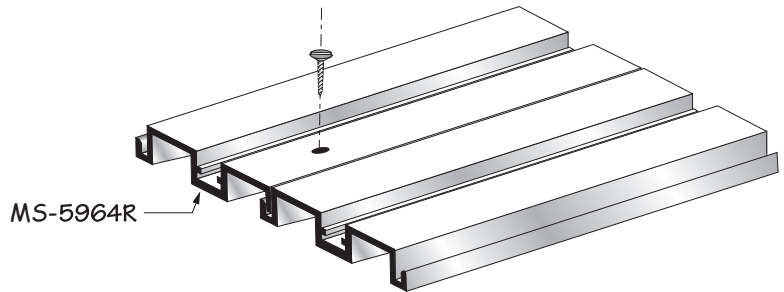
1. ANCHOR STARTER TRACK  
USING FS 273, #10 X 1-1/2" PFHWS.  
SHIM LEVEL.



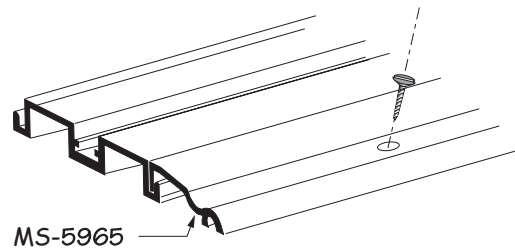
2. ADD TRACKS AS REQUIRED.

ANCHOR USING FS 273  
#10 X 1-1/2" PFHWS.

SHIM LEVEL



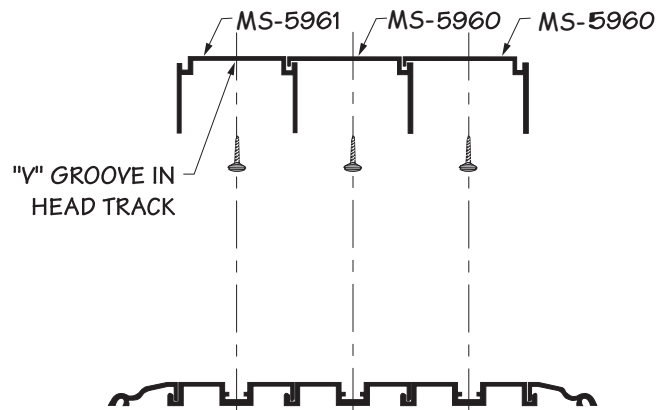
3. IF SURFACE TRACK,  
INSTALL TRACK ADAPTERS  
USING FS 273 #10 X 1-1/2" PFHWS.



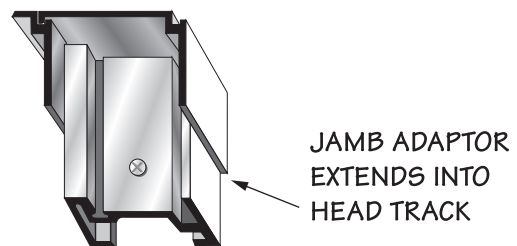
4. LOCATE AND  
ANCHOR HEAD TRACKS.

PLUMB WITH SILL TRACKS.

INSTALL TRACK 5961 LAST  
USING FS 269 #10 X 1-1/2" PRHWS.



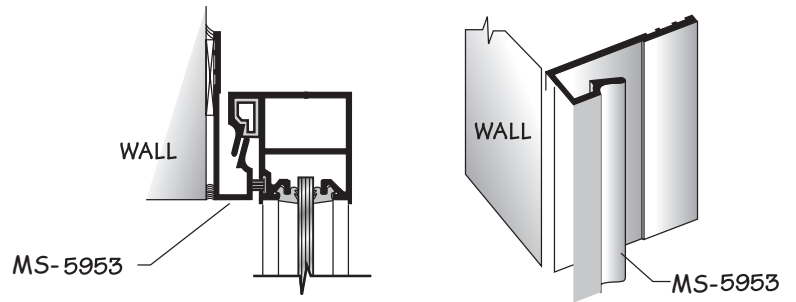
5. INSTALL JAMB ADAPTER USING  
#10 X 2" PFHWS.  
CENTER ON HEAD AND SILL TRACKS.  
SHIM PLUMB.



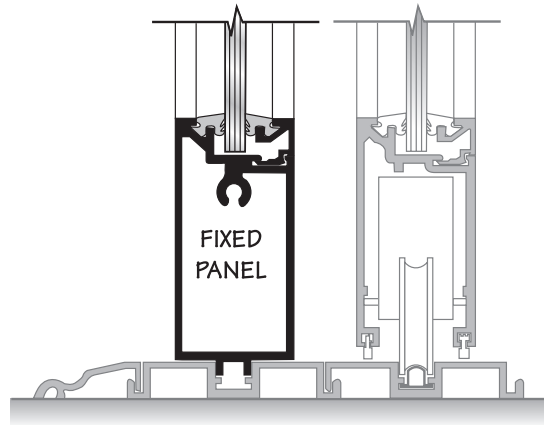
NOTE: LOCK JAMB HAS LOCKBOLT CUTOUT.

FRAME ASSEMBLY

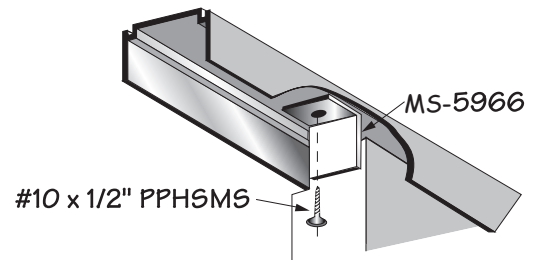
- 6. JAMB INTERLOCK (IF REQUIRED)



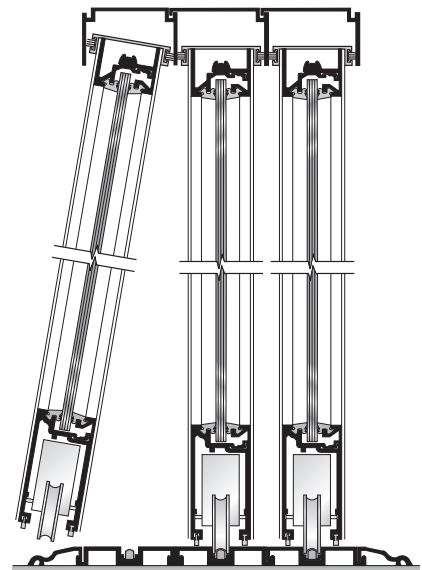
- 7. INSTALL FIXED PANEL OVER TRACK



- 8. INSTALL FIXED PANEL CLIP AT HEAD



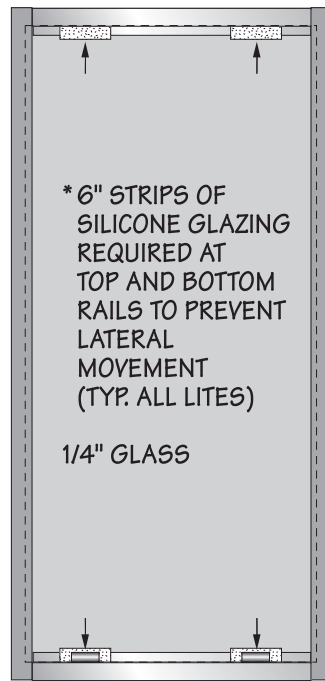
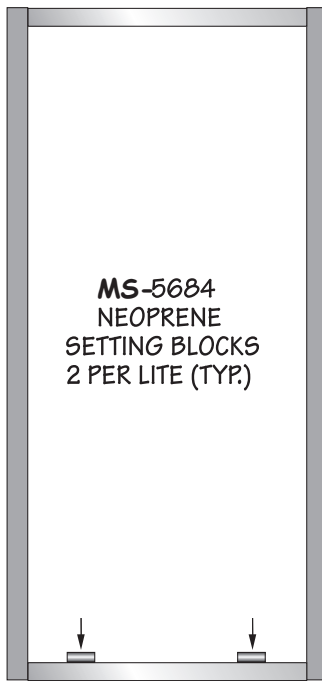
- 9. INSTALL SLIDING PANELS  
INSTALL LOCK PANEL LAST



## GLASS INSTALLATION

NOTE: GLASS CAN BE INSTALLED PRIOR TO INSTALLING PANELS  
OR AFTER PANELS ARE IN PLACE

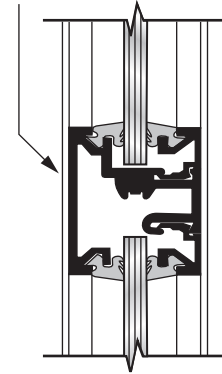
### 10. FOLLOW STEPS 1 THROUGH 5 BELOW



**\* NOTE:**

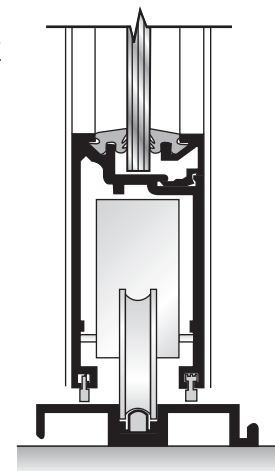
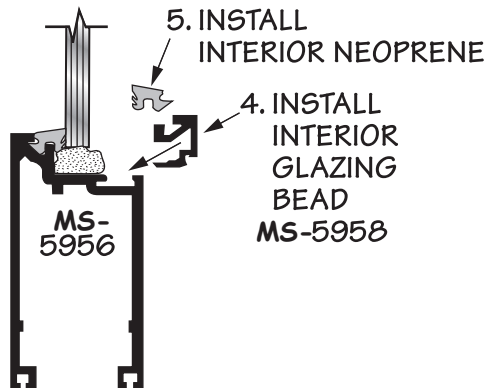
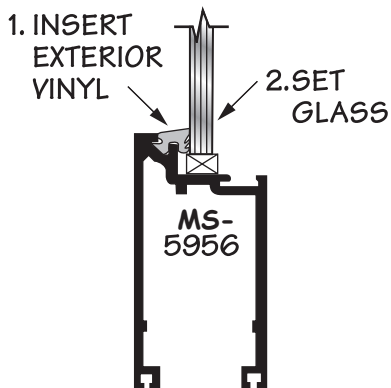
1. Silicone type sealants are recommended due to their short curing time.
2. Sealants are not supplied by Oldcastle BuildingEnvelope™

INTERMEDIATE  
HORIZONTAL



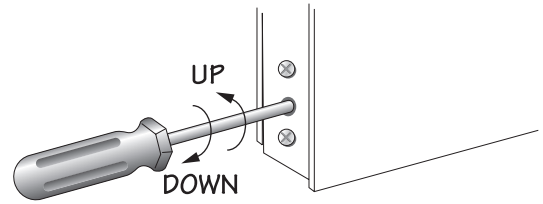
**3. INSTALL SILICONE**

- Install silicone under glass only
- Do not overflow into bead interlock

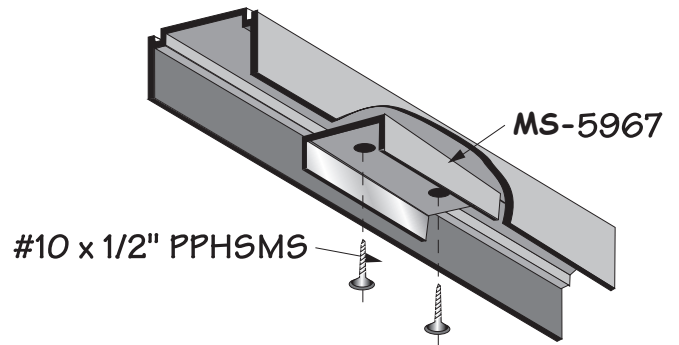
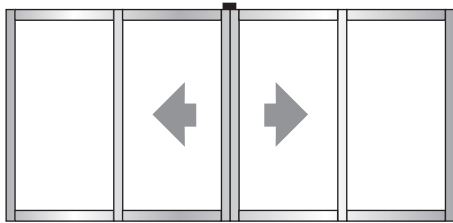


## GLASS INSTALLATION

### 11. ADJUST ROLLERS ON SLIDING PANELS



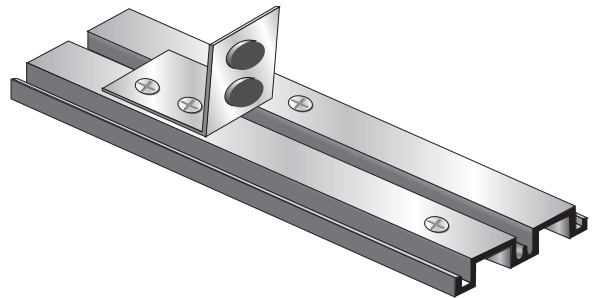
### 12. INSTALL ANTI-LIFT BLOCKS AT MEETING RAILS



### 13. INSTALL PANEL BUMPER STOP MS-5986

ONE PANEL BUMPER  
PER SLIDING PANEL

CUSTOMER TO FIELD POSITION  
STOP AT DESIRED LOCATION



## PARTS LIST

### BOTTOM TRACK

Starter Track .....MS-5963R  
Add On Track .....MS-5964R  
Bevel Trim .....MS-5965  
Stainless Guide (installed) .MS-5969  
Aluminum Filler (installed)..MS-5986  
Screw .....#10 X 1-1/2\"/>

### TOP TRACK

Starter Track .....MS-5961  
Add On Track .....MS-5960  
Screw .....#10 x 1-1/2\"/>

### JAMB

Jamb Interlock .....MS-5953  
Jamb Adapter .....MS-5952  
Screw .....#10 x 2\"/>

### PANEL

Head Rail .....MS-5954  
Head Guide .....MS-5959  
Bottom Rail .....MS-5956  
Fixed Bottom Rail .....MS-5957  
Jamb/Meeting Stile .....MS-5950  
Interlock Jamb .....MS-5951  
Muntin .....MS-5955R  
Glazing Bead .....MS-5958  
Neoprene Bumpers .....MS-5968

### ACCESSORIES

Panel Bumper .....MS-5986  
Neoprene .....MS-5688  
Panel Clip .....MS-5966  
Anti-Lift Block .....MS-5967  
  
Screw .....1/4-20 x 2-1/4\"/>

End of Section