

Specifications:

Glass Sizes:	1/4" (6mm) to 5/16" (8mm) thick tempered safety glass
Construction:	Solid brass
Closing Type:	Free swinging
9/16" Diameter	Hole Required (No Cutout)
Includes:	Gaskets

Maximum Door Capacities for Two Hinges or Three Hinges

Maximum Door Weight:	62 lbs. (28 kg)	92 lbs. (32 kg)
Maximum Door Width:	28" (711mm)	32" (813mm)

Use of Gaskets:

For 1/4"(6mm) Glass: Use one thick gasket on each side
 For 5/16"(8mm) Glass: Use one thin gasket on each side

LIGHT DUTY

Square Corner Style

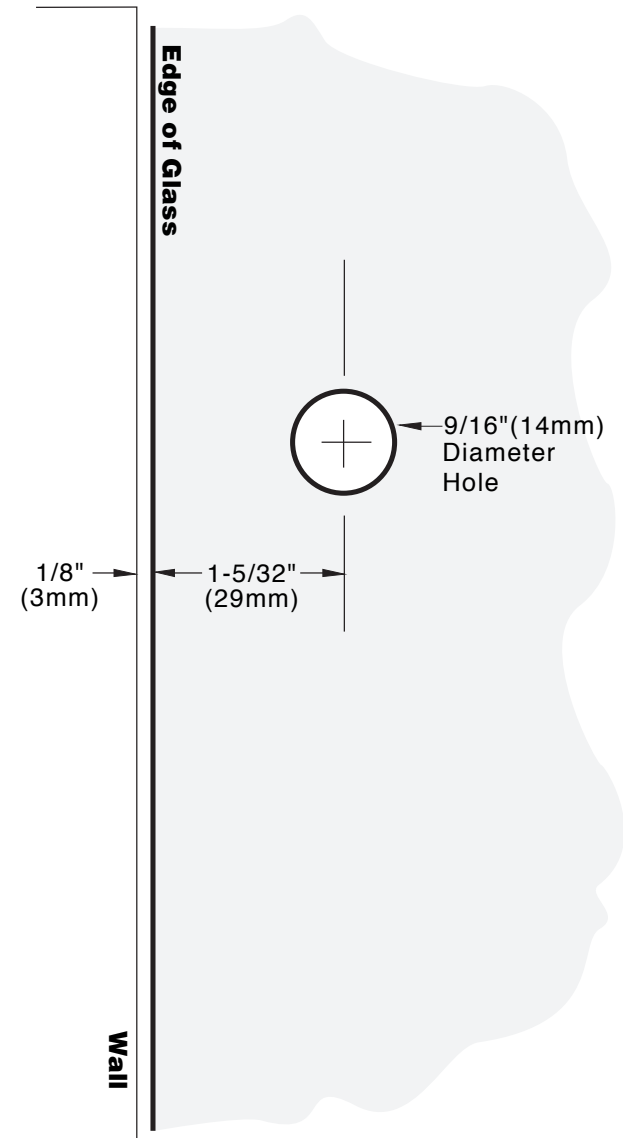
CAT. NO. EH84 and EH85

***NOTE:** Do not exceed either maximum weight or width when choosing proper quantity of hinges.

Recommendations:

For public safety, we recommend the use of only tempered safety glass.
 Do not use power tools when installing these hinges.

IMPORTANT: Project measurements from the edge of the glass.



LIGHT DUTY

Square Corner Style

CAT. NO. EH84 and EH85