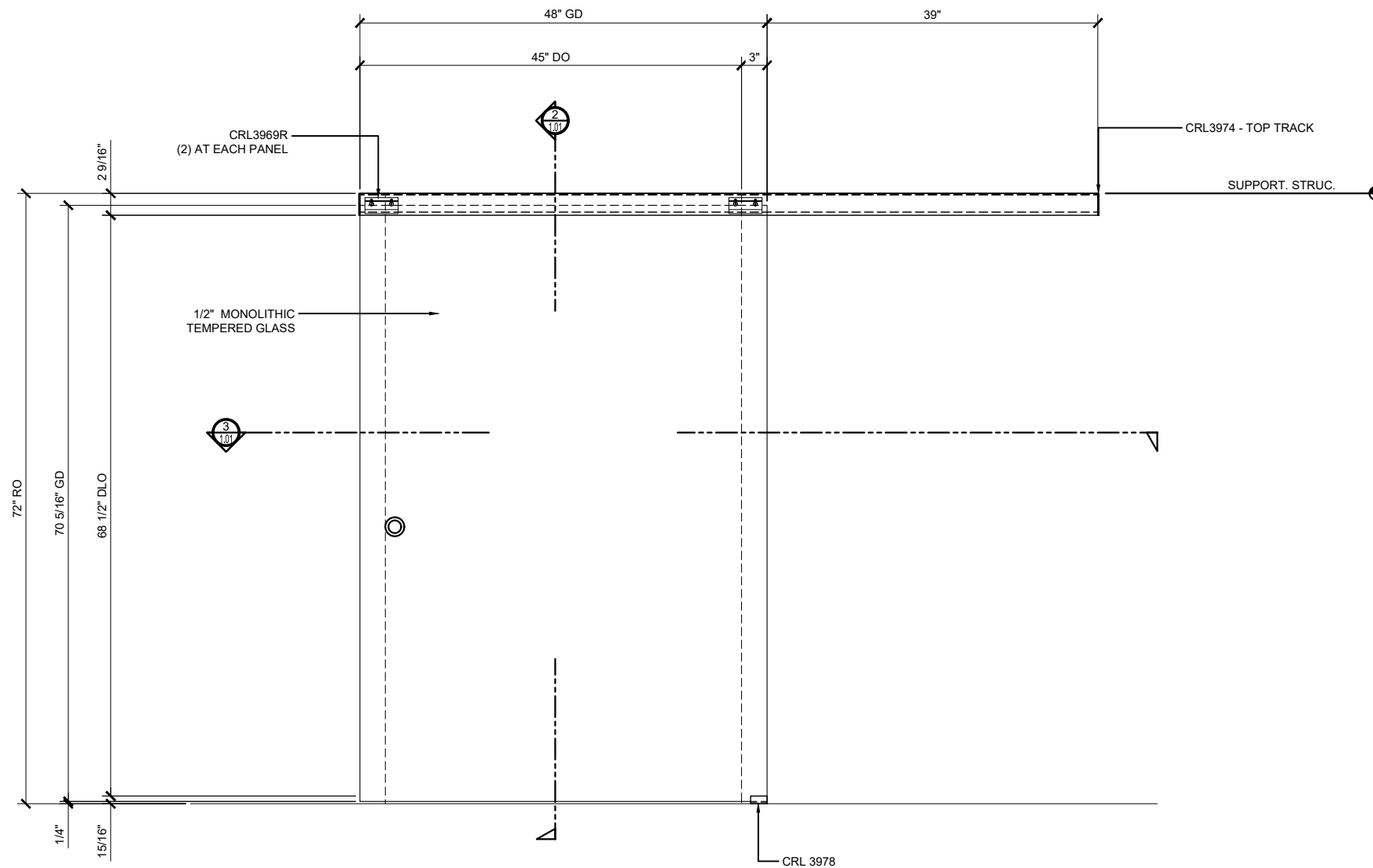


CRL 280/285 SERIES TOP HUNG SLIDING DOOR CRL2812 AND CRL28512 SYSTEM WALL MOUNT

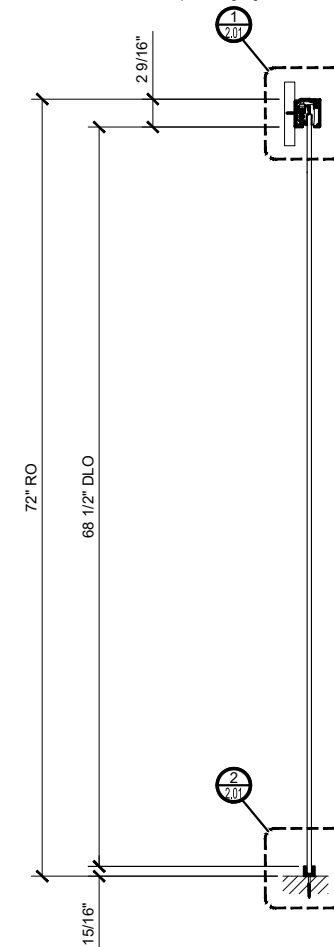
- * FOR 3/8" TO 1/2" (10 TO 12 MM) TEMPERED GLASS
- * MOUNT TO STRUCTURAL CEILING AND WALL
- * AVAILABLE WITH OR WITHOUT "SOFTBRAKE" BRAKING SYSTEM
- * RATED FOR DOORS WEIGHING UP TO 176 POUNDS (80 KG)
- * NO NOTCHES OR HOLES REQUIRED IN THE GLASS FOR INSTALLATION
- * SATIN ANODIZED AND BRUSHED STAINLESS ANODIZED FINISHES AVAILABLE

NOTE: FOR A DETAILED LISTING OF THE COMPONENTS OF EACH KIT GO TO crlaurence.com/sliding-glass-doors



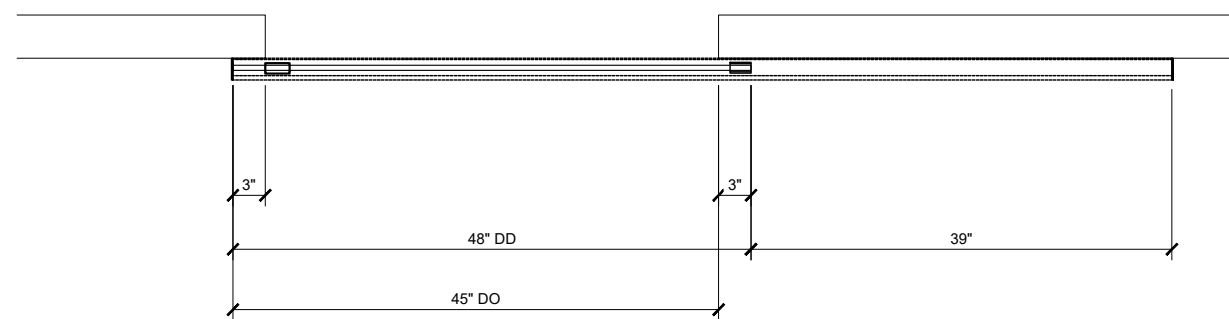
① CRL2812 AND CRL 28512 - ELEVATION

1 1/2"=1'-0"



② SLIDER SECTION

1 1/2"=1'-0"



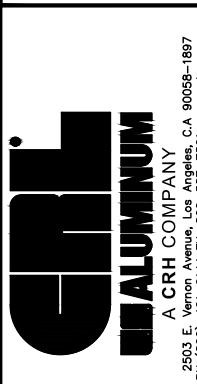
③ CRL2812 AND CRL 28512 - PLAN

1 1/2"=1'-0"

STRUCTURAL DISCLAIMER:
ALL CUSTOMERS WHO IN ANY WAY UTILIZE THIS PRODUCT ARE SOLELY RESPONSIBLE TO CONSULT A STRUCTURAL ENGINEER TO DETERMINE THE SUITABILITY OF THE PRODUCT FOR THE INTENDED USE AND SITE CONDITIONS. ALL INSTALLERS MUST BE QUALIFIED AND HAVE PROFESSIONAL KNOWLEDGE ABOUT COMPLIANCE WITH LOCAL, STATE AND FEDERAL REGULATIONS, SAFETY FACTORS, AND THE APPROPRIATE CHOICE OF FIXING MATERIAL AND PROCEDURES.

STANDARD ABBREVIATIONS	
RO	ROUGH OPENING
FD	FRAME DIMENSION
DLO	DAYLIGHT OPENING
DO	DOOR OPENING
DD	DOOR DIMENSION
GD	GLASS DIMENSION
DP	DIMENSION POINT

Revisions By:



Description:
CRL280/208 SERIES
TOP HUNG SINGLE TRACK
WALL MOUNT SLIDING DOOR
FOR 3/8" AND 1/2" GLASS

Drawn By: GM

Date: 04/24/19

Scale: AS NOTED

File Name:

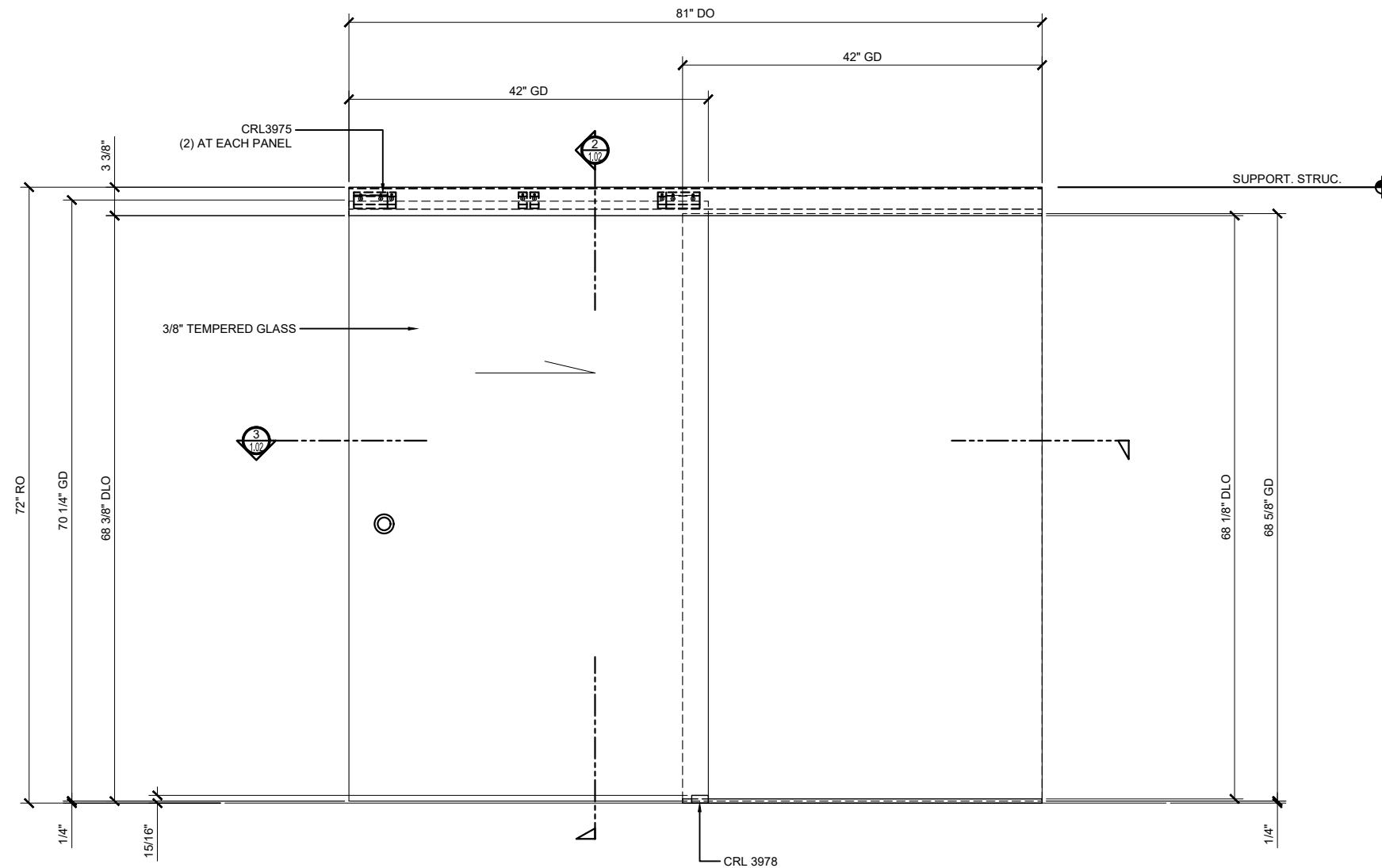
CRL280_Top_Hung_Slid_Doors.dwg

Sheet

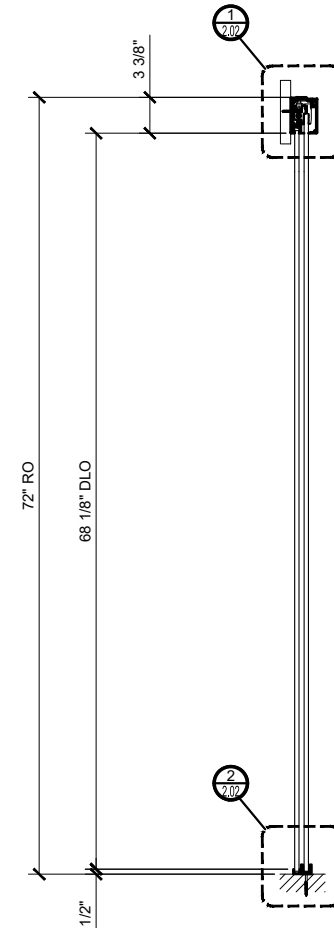
CRL 280/285 SERIES TOP HUNG SLIDING DOOR CRL2812F AND CRL28512F SYSTEM WALL MOUNT

- * FOR 3/8" TO 1/2" (10 TO 12 MM) TEMPERED GLASS
- * MOUNT TO STRUCTURAL CEILING AND WALL
- * AVAILABLE WITH OR WITHOUT "SOFTBRAKE" BRAKING SYSTEM
- * RATED FOR DOORS WEIGHING UP TO 176 POUNDS (80 KG)
- * NO NOTCHES OR HOLES REQUIRED IN THE GLASS FOR INSTALLATION
- * SATIN ANODIZED AND BRUSHED STAINLESS ANODIZED FINISHES AVAILABLE

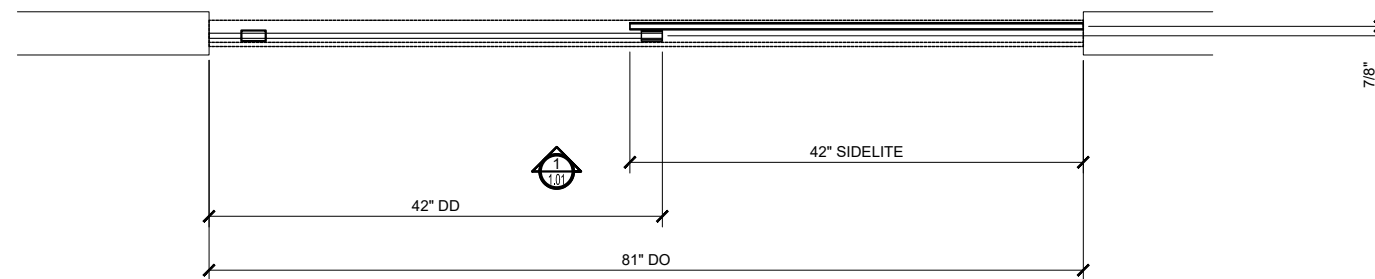
NOTE: FOR A DETAILED LISTING OF THE COMPONENTS OF EACH KIT GO TO crlaurence.com/sliding-glass-doors



① CRL2812F AND CRL 28512F - ELEVATION
1 1/2"=1'-0"



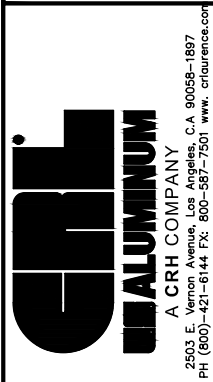
② SLIDER SECTION
1 1/2"=1'-0"



③ CRL2812F AND CRL 28512F - PLAN
1 1/2"=1'-0"

STANDARD ABBREVIATIONS	
RO	ROUGH OPENING
FD	FRAME DIMENSION
DLO	DAYLIGHT OPENING
DO	DOOR OPENING
DD	DOOR DIMENSION
GD	GLASS DIMENSION
DP	DIMENSION POINT

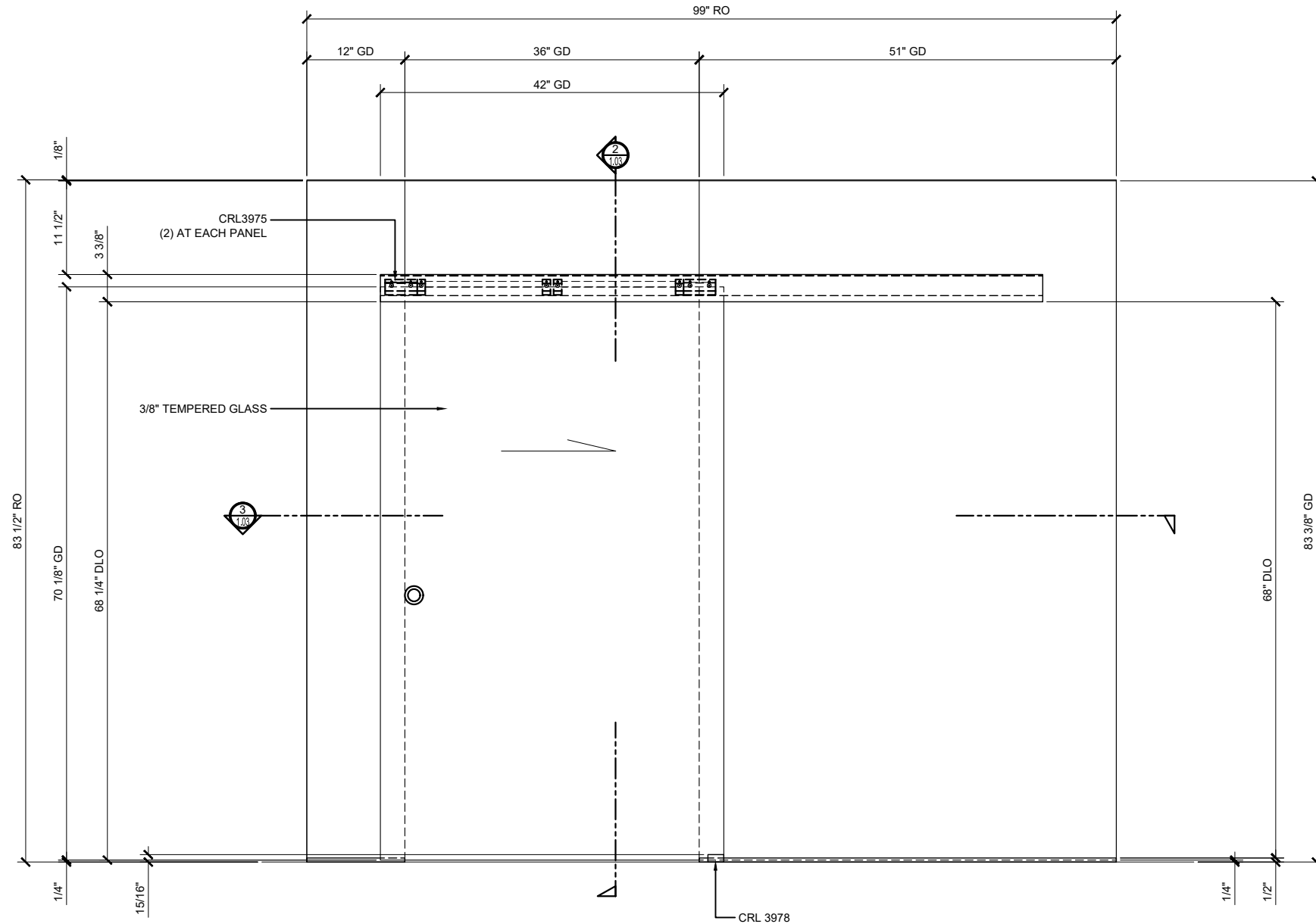
Revisions By:



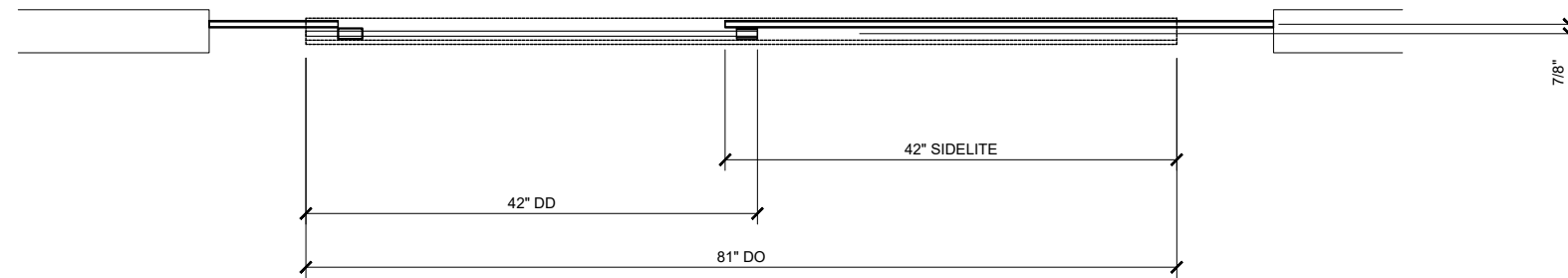
Description:
CRL280/208 SERIES
TOP HUNG SINGLE TRACK
WALL MOUNT SLIDING DOOR
FOR 3/8" AND 1/2" GLASS

Drawn By: GM
Date: 04/24/19
Scale: AS NOTED
File Name:
CRL280_Top_Hung_Slid_Doors.dwg
Sheet

CRL 280/285 SERIES TOP HUNG SLIDING DOOR CRL2812G AND CRL28512G SYSTEM



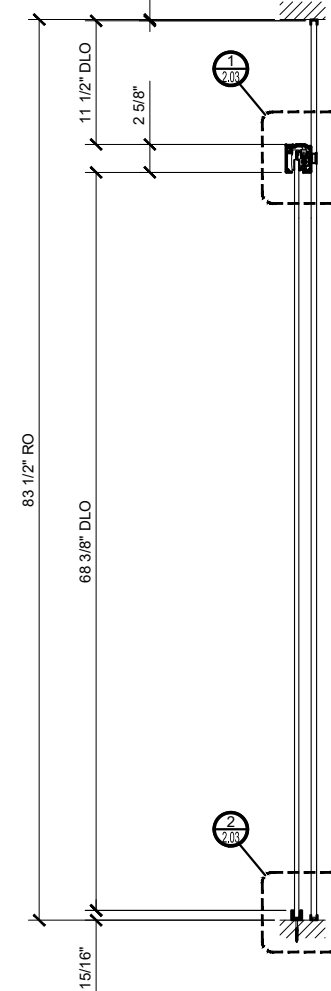
① CRL2812G AND CRL 28512G - ELEVATION
1 1/2"=1'-0"



③ CRL2812G AND CRL 28512G - PLAN
1 1/2"=1'-0"

- * FOR 3/8" TO 1/2" (10 TO 12 MM) TEMPERED GLASS
- * MOUNT TO STRUCTURAL CEILING AND WALL
- * AVAILABLE WITH OR WITHOUT "SOFTBRAKE" BRAKING SYSTEM
- * RATED FOR DOORS WEIGHING UP TO 176 POUNDS (80 KG)
- * NO NOTCHES OR HOLES REQUIRED IN THE GLASS FOR INSTALLATION
- * SATIN ANODIZED AND BRUSHED STAINLESS ANODIZED FINISHES AVAILABLE

NOTE: FOR A DETAILED LISTING OF THE COMPONENTS OF EACH KIT GO TO crlaurence.com/sliding-glass-doors



② SLIDER SECTION
1 1/2"=1'-0"

STANDARD ABBREVIATIONS	
RO	ROUGH OPENING
FD	FRAME DIMENSION
DLO	DAYLIGHT OPENING
DO	DOOR OPENING
DD	DOOR DIMENSION
GD	GLASS DIMENSION
DP	DIMENSION POINT

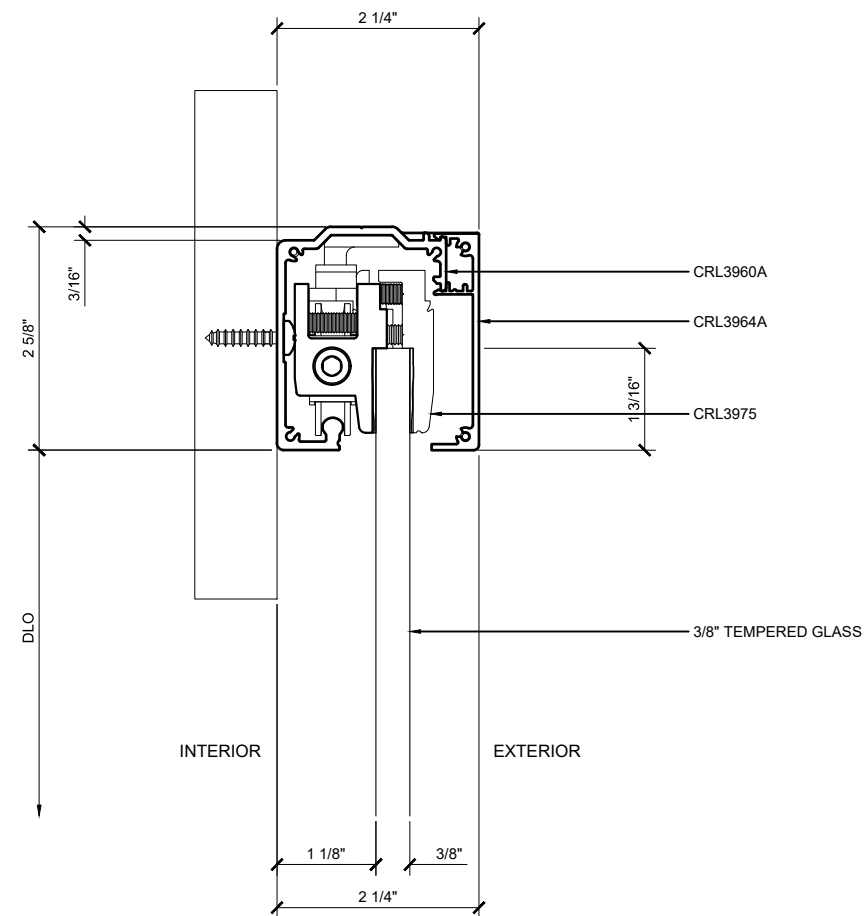
Revisions By:



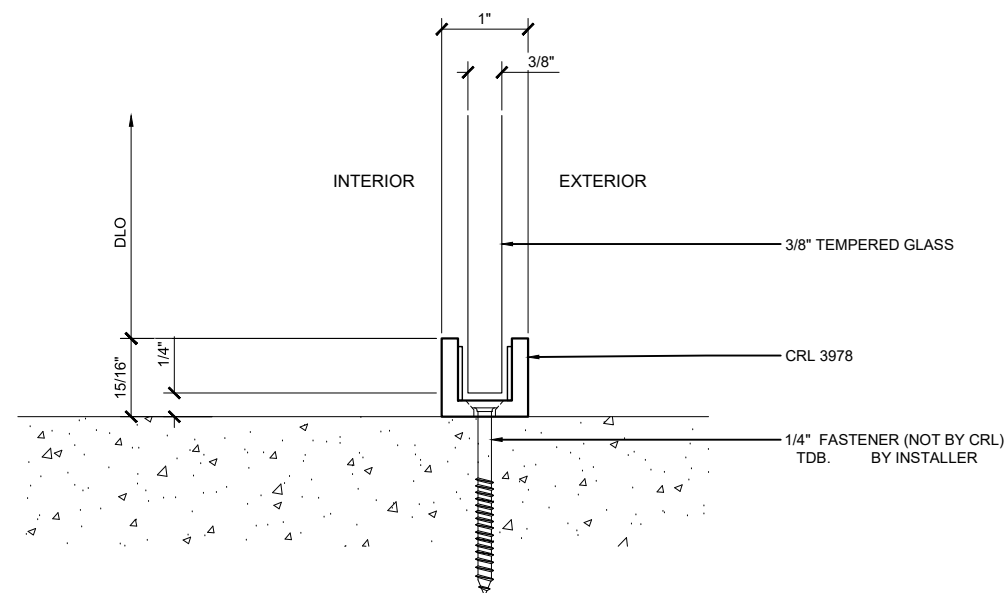
A CRH COMPANY
2503 E. Vernon Avenue, Los Angeles, CA 90058-1887
PH (800)-421-6144 FX: 800-587-7501 www.crlaurence.com

Description:
CRL280/208 SERIES
TOP HUNG SINGLE TRACK
WALL MOUNT SLIDING DOOR
FOR 3/8" AND 1/2" GLASS

Drawn By: GM
Date: 04/24/19
Scale: AS NOTED
File Name: CRL280_Top_Hung_Slid_Doors.dwg
Sheet



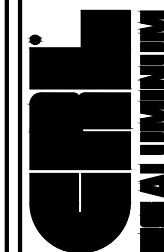
① CRL2812 & CRL28512 HEADER DETAIL
 ARCH REF: NONE 1'-0"=1'-0"



② CRL2812 & CRL28512 SILL DETAIL
 ARCH REF: NONE 1'-0"=1'-0"

CRL280/285 SERIES WALL MOUNT SLIDING DOOR CRL2812 AND CRL28512 DETAILS

Revisions By:



A CRH COMPANY
 2503 E. Vernon Avenue, Los Angeles, CA 90058-1887
 PH (800)-421-8144 FX: 800-587-7501 www.crlaluminum.com

Description:
 CRL280/208 SERIES
 TOP HUNG SINGLE TRACK
 WALL MOUNT SLIDING DOOR
 FOR 3/8" AND 1/2" GLASS

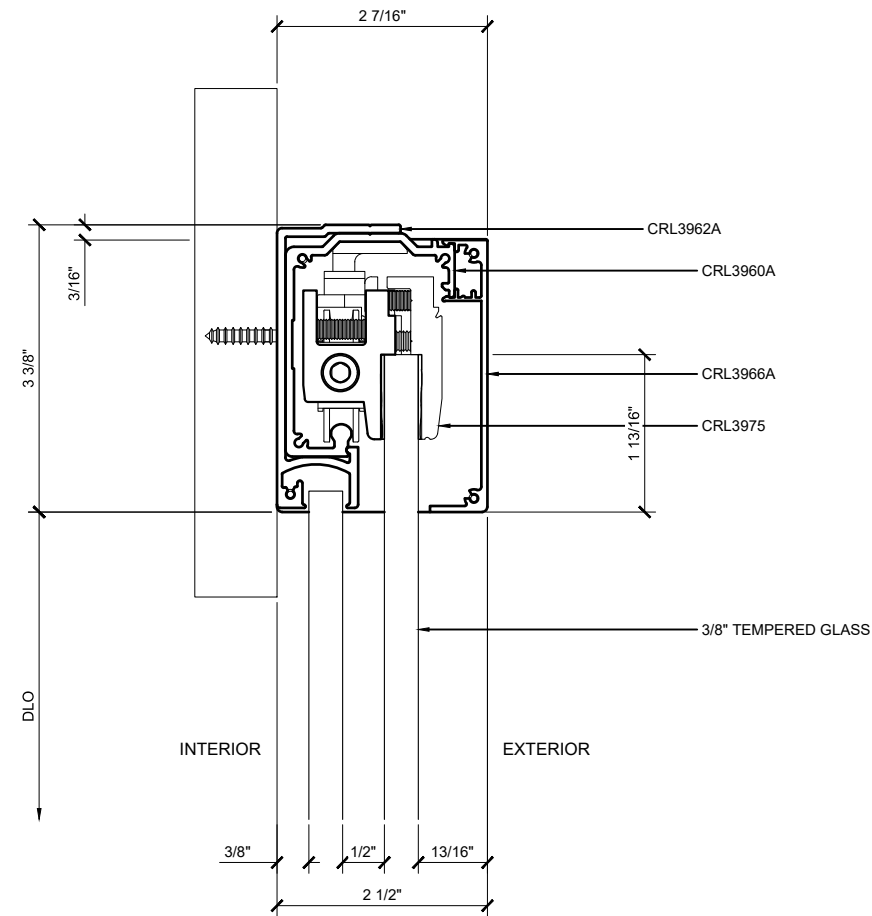
Drawn By: GM

Date: 04/24/19

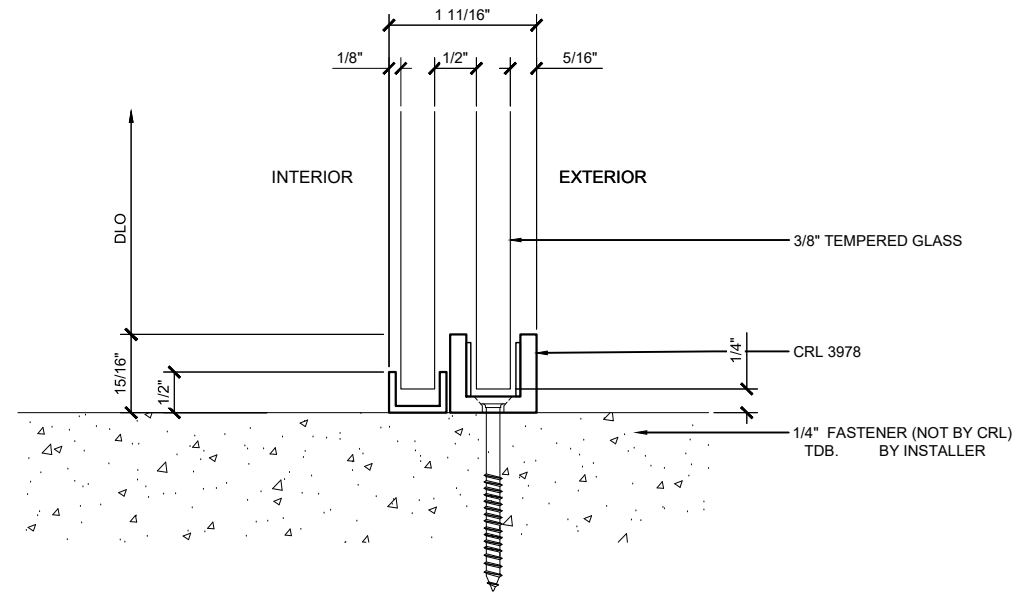
Scale: AS NOTED

File Name:

CRL280_Top_Hung_Slid_Doors.dwg
 Sheet



① CRL2812F & CRL28512F HEADER DETAIL
 ARCH REF: NONE 1'-0"=1'-0"



② CRL2812 & CRL28512 SILL DETAIL
 ARCH REF: NONE 1'-0"=1'-0"

CRL280/285 SERIES WALL MOUNT SLIDING DOOR CRL2812F AND CRL28512F DETAILS

Revisions By:

CRL ALUMINUM
 A CRH COMPANY
 2503 E. Vernon Avenue, Los Angeles, CA 90058-1887
 PH (800)-421-6144 FX: 800-587-7501 www.crlaluminum.com

Description:
 CRL280/208 SERIES
 TOP HUNG SINGLE TRACK
 WALL MOUNT SLIDING DOOR
 FOR 3/8" AND 1/2" GLASS

Drawn By: GM
Date: 04/24/19
Scale: AS NOTED
File Name: CRL280_Top_Hung_Slid_Doors.dwg
Sheet