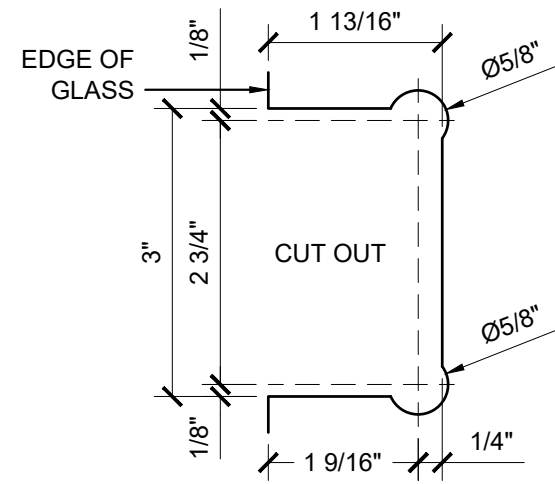
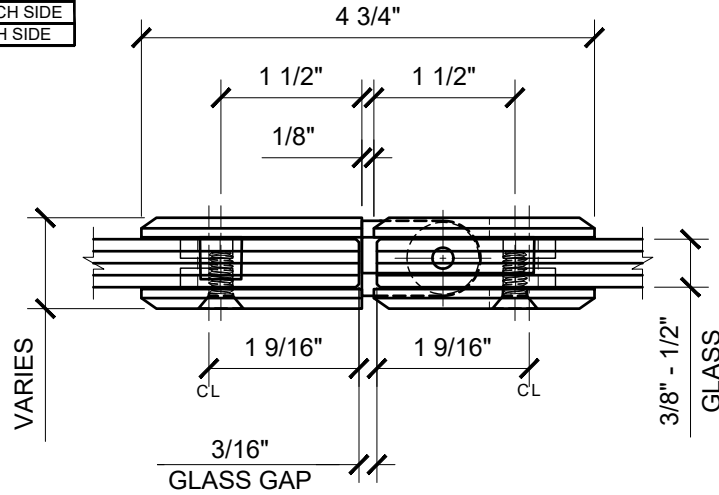
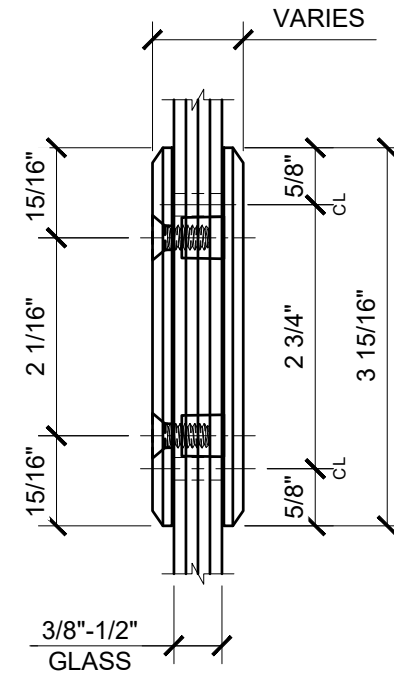
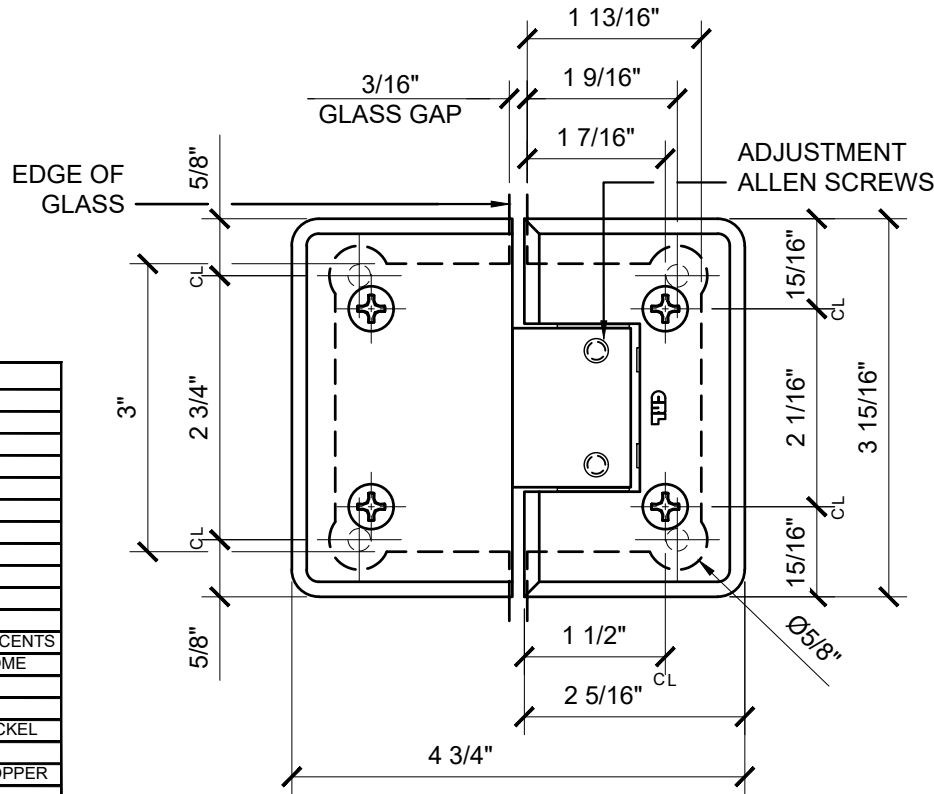


USE OF GASKETS

FOR 3/8" (10mm) GLASS: USE ONE THICK GASKET ON EACH SIDE
 FOR 1/2" (12mm) GLASS: USE ONE THIN GASKET ON EACH SIDE



TEMPLATE FOR DOOR AND
 FIXED PANEL ARE THE SAME



CATALOG NUMBER	FINISH
COL380CH	CHROME
COL380BN	BRUSHED NICKEL
COL380PN	POLISHED NICKEL
COL380ORB	OIL RUBBED BRONZE
COL380BR	BRASS
COL380MBL	MATTE BLACK
COL380SB	SATIN BRASS
COL380SN	SATIN NICKEL
COL380BBRZ	BRUSHED BRONZE
COL380SC	SATIN CHROME
COL380ABR	ANTIQUE BRASS
COL380BL	BLACK W/ CHROME ACCENTS
COL380BSC	BRUSHED SATIN CHROME
COL380GB	GOLD PLATED
COL380AW	ALL WHITE
COL380ABN	ANTIQUE BRUSHED NICKEL
COL380ABRZ	ANTIQUE BRONZE
COL380ABC0	ANTIQUE BRUSHED COPPER
COL380GM	GUN METAL
COL380CBA	CHROME W/ BRASS ACCENTS
COL380BC0	BRUSHED COPPER
COL380ABL	ALL BLACK
COL380WC	WHITE W/ CHROME ACCENTS

COL380XX - CRL COLOGNE SERIES 180° GLASS TO GLASS HINGE ADJUSTABLE

DATE: 11/28/17
 SCALE: 6"=1'-0"
 DRAWN BY: VM

DESCRIPTION: CRL COL380
 COLOGNE 380 SERIES
 180° GLASS TO GLASS HINGE ADJUSTABLE

C.R.LAURENCE CO. ARCHITECTURAL PRODUCTS
 2503 E. Vernon Avenue, Los Angeles, C.A 90058-1897
 PH (800)-421-6144 FX: 800-587-7501 www.crlaurence.com

