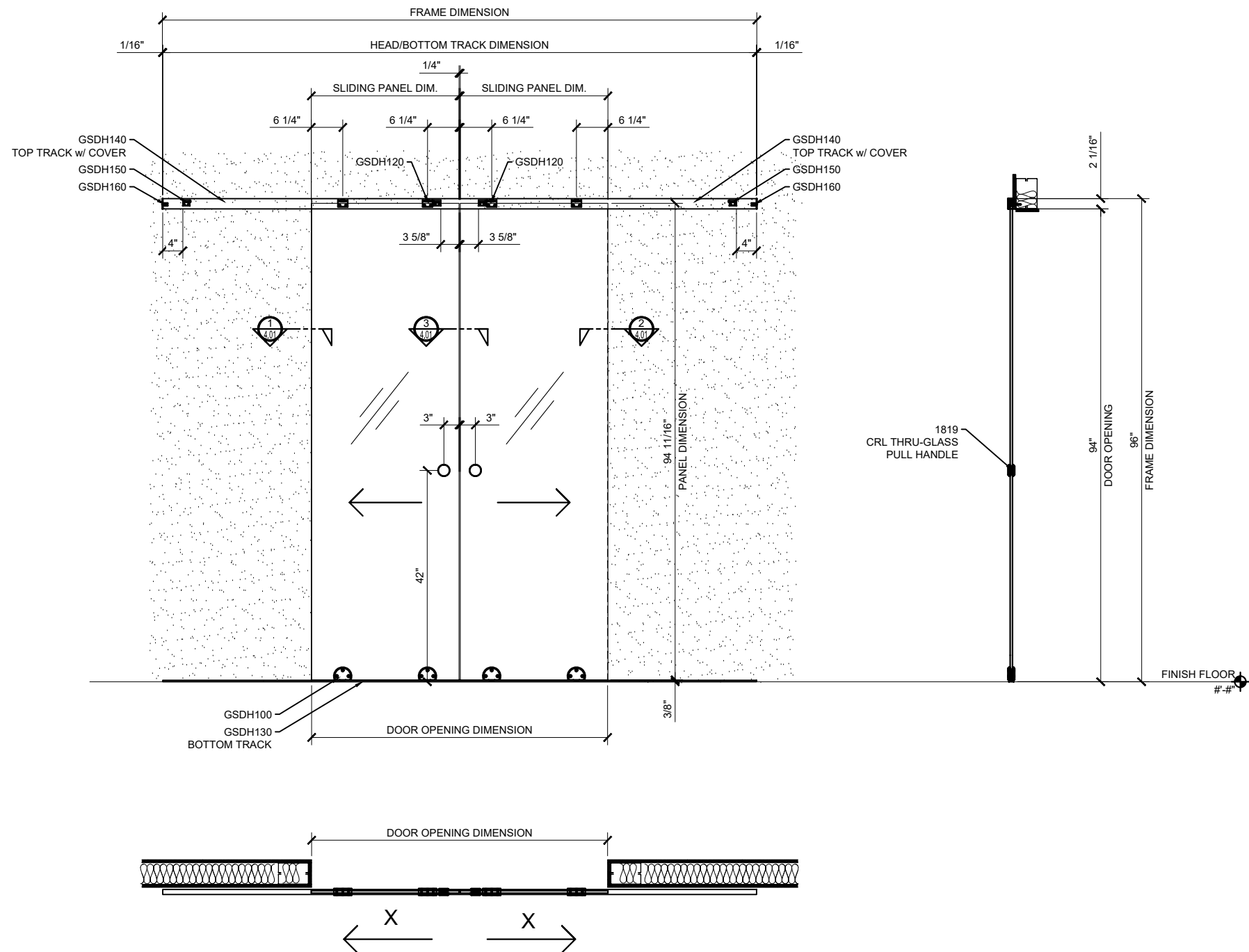


CRL GSDH2 SERIES BIPARTING BOTTOM ROLLING DOOR



① CRL GSDH2
 ARCH REF: NONE 1"=1'-0"

- * THE CRL GSDH2 SERIES BIPARTING BOTTOM ROLLING DOOR KIT CONTAIN :
- 1. ONE TOP GUIDE TRACK AT 118" (3 m) IN LENGTH AND TWO END CAPS
- 2. FOUR TOP ROLLER GUIDES AND FOUR STOPS
- 3. FOUR BOTTOM ROLLERS
- 4. ONE BOTTOM ROLLER TRACK AT 118" (3 m) IN LENGTH
- * DOOR HANDLE IS SOLD SEPARATELY BASED ON THE CUSTOMER'S REQUEST
- * AVAILABLE IN BRUSHED OR POLISHED STAINLESS STEEL
- * FOR USE WITH 5/16" TO 1/2" (8 mm TO 12 mm) TEMPERED GLASS
- * MAXIMUM ONE DOOR LEAF WEIGHT : 286 POUNDS (130 KG)
- * MAXIMUM WIDTH : 30" (762 mm)

STRUCTURAL DISCLAIMER:

ALL CUSTOMERS WHO IN ANY WAY UTILIZE THIS PRODUCT ARE SOLELY RESPONSIBLE TO CONSULT A STRUCTURAL ENGINEER TO DETERMINE THE SUITABILITY OF THE PRODUCT FOR THE INTENDED USE AND SITE CONDITIONS. ALL INSTALLERS MUST BE QUALIFIED AND HAVE PROFESSIONAL KNOWLEDGE ABOUT COMPLIANCE WITH LOCAL, STATE AND FEDERAL REGULATIONS, SAFETY FACTORS, AND THE APPROPRIATE CHOICE OF FIXING MATERIAL AND PROCEDURE.

Revisions By:

CRL

2503 E. Vernon Avenue, Los Angeles, CA 90058-1897
 PH (800)-421-6144 FX: 800-587-7501 www.crlaurence.com

Description:
 CRL GSDH2 SERIES
 BIPARTING BOTTOM
 ROLLING DOOR
 FOR 5/16" TO 1/2" GLASS

Drawn By: S

Date: 10.16.19

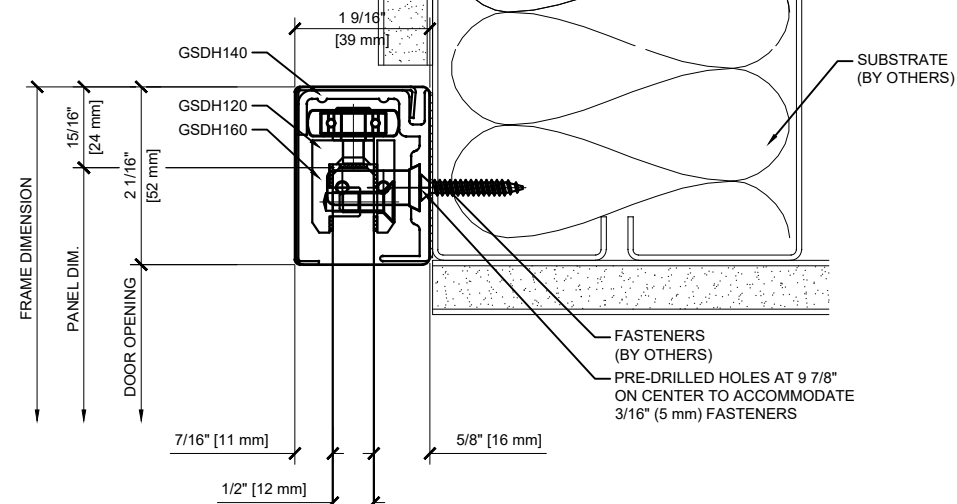
Scale: AS NOTED

File Name:

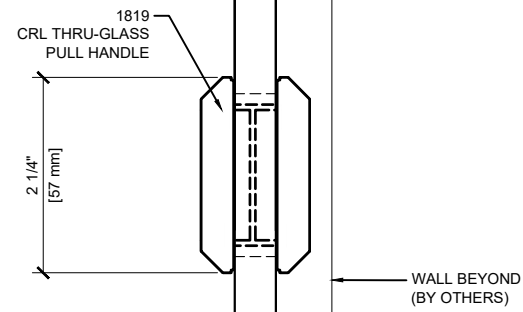
SYS904570

Sheet

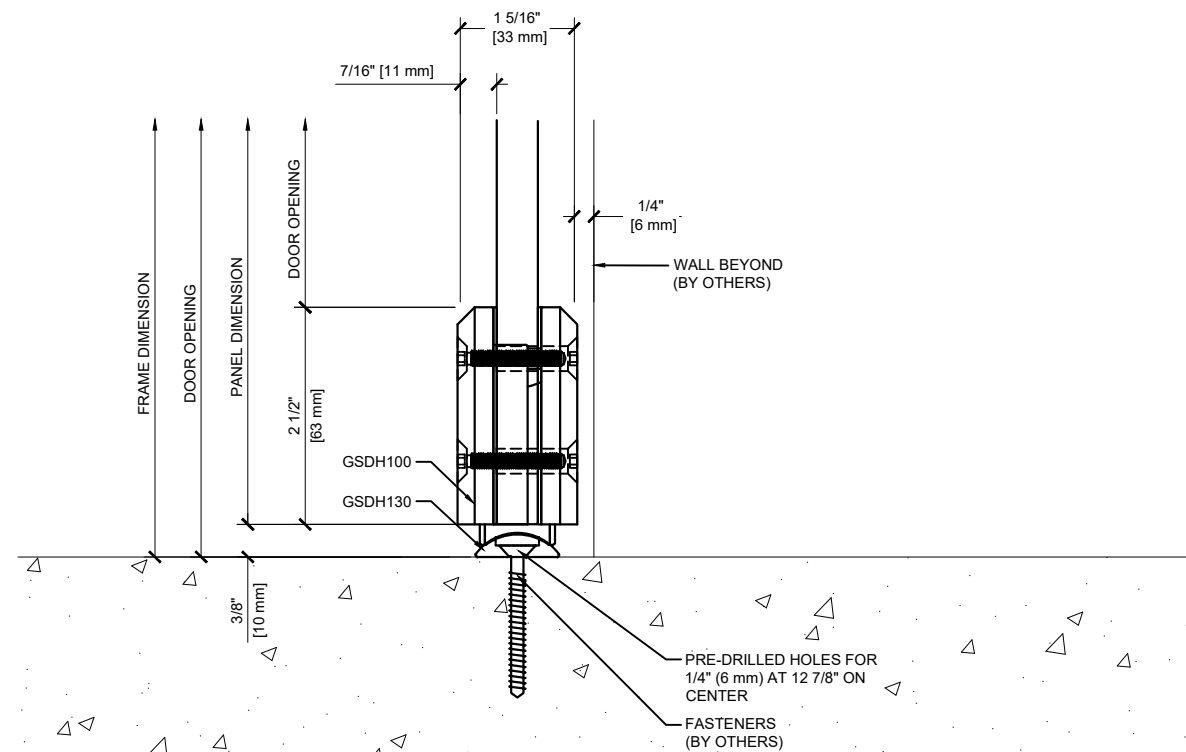
2.01



① SECTION DETAIL @ HEAD
 ARCH REF: NONE 1'-0"=1'-0"



② SECTION DETAIL @ HORIZONTAL
 ARCH REF: NONE 1'-0"=1'-0"



③ SECTION DETAIL @ SILL
 ARCH REF: NONE 1'-0"=1'-0"

Revisions By:

CRL

2503 E. Vernon Avenue, Los Angeles, CA 90058-1897
 PH (800)-421-6144 FX: 800-587-7501 www.crlaurence.com

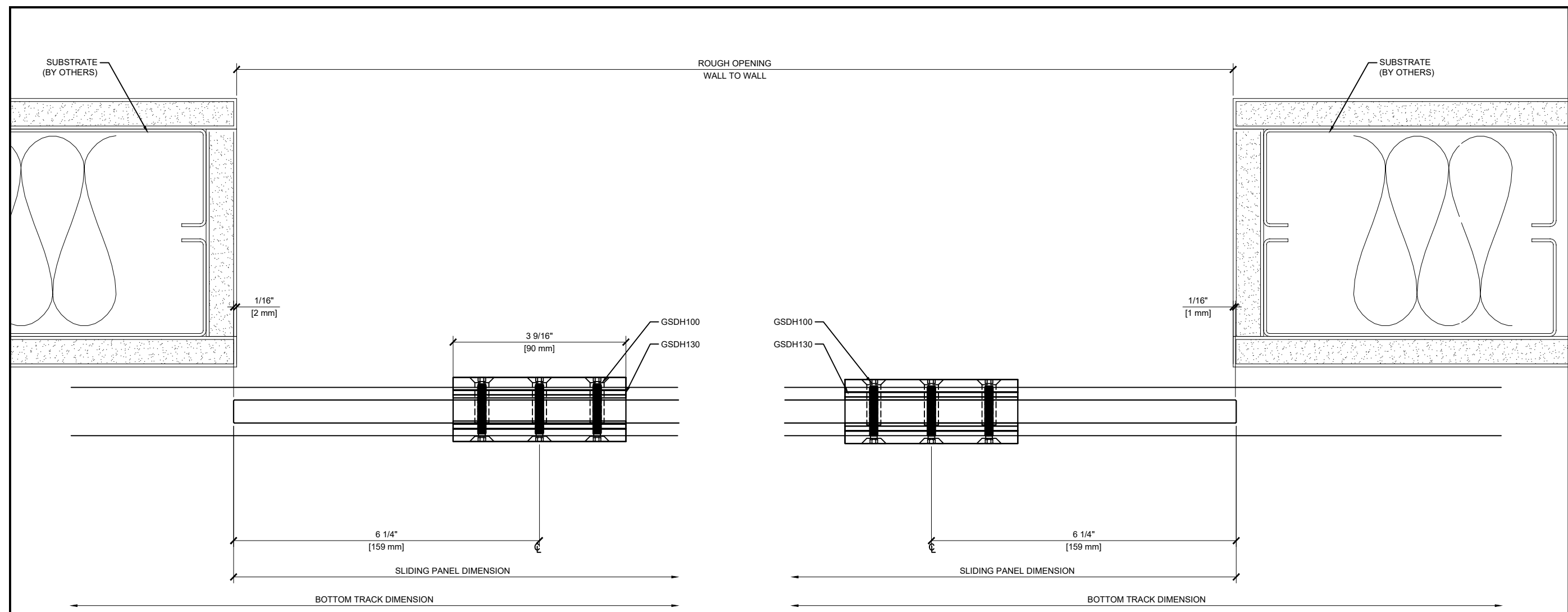
Description:
 CRL GSDH2 SERIES
 BIPARTING BOTTOM
 ROLLING DOOR
 FOR 5/16" TO 1/2" GLASS

Drawn By: S
 Date: 10.16.19
 Scale: AS NOTED
 File Name:
 SYS904570

Sheet

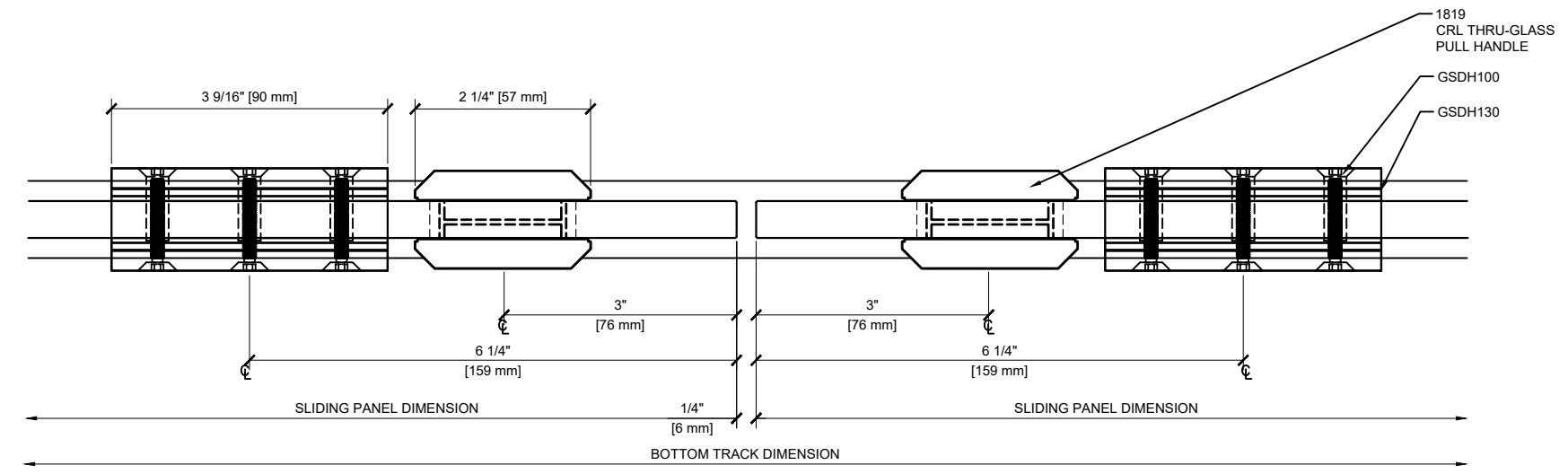
3.01

Revisions By:



① SECTION DETAIL @ JAMB
 ARCH REF: NONE 1'-0"=1'-0"

② SECTION DETAIL @ JAMB
 ARCH REF: NONE 1'-0"=1'-0"



③ SECTION DETAIL @ MEETING
 ARCH REF: NONE 1'-0"=1'-0"

CRL.

2503 E. Vernon Avenue, Los Angeles, CA 90058-1897
 PH (800)-421-6144 FX: 800-587-7501 www.crlaurence.com

Description:
 CRL GSDH2 SERIES
 BIPARTING BOTTOM
 ROLLING DOOR
 FOR 5/16" TO 1/2" GLASS

Drawn By: S
 Date: 10.16.19
 Scale: AS NOTED
 File Name:
 SYS904570

Sheet

4.01