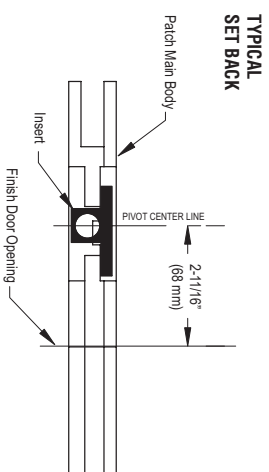


## Important Information:

The CPF40 Sidelite Mount Transom Patch is designed for 2-11/16" (68 mm) set back. This dimension is measured from the "finished" door opening to the pivot center line.



## Specifications:

**Glass Sizes:** 3/8" (10 mm) to 1/2" (12 mm)

thick tempered safety glass

**Construction:** High density casting

**Glass Fabrication Required:** Cut-Out and

Hole Required - See Reverse

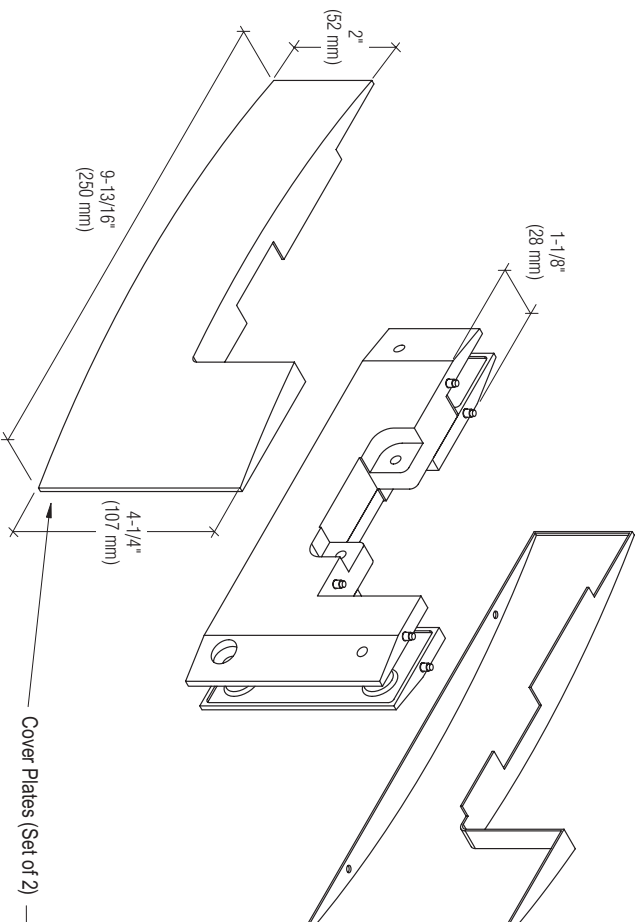
**Includes:** Base Fittings, Insert Cover Plates,

Screws, and Gaskets for 3/8" (10 mm) and 1/2" (12 mm) Glass

### Available Finishes:

- Brushed Stainless Steel

- Polished Stainless Steel



# CRL CURVED FACE PLATE TRANSOM/SIDELITE PIVOT PATCH

TYPICAL 2-11/16" (68 mm) SET BACK

INCLUDES: INSERT, COVER PLATES

**Cat. No. CPF40**

## Recommendations:

For public safety, we recommend the use of tempered safety glass only.

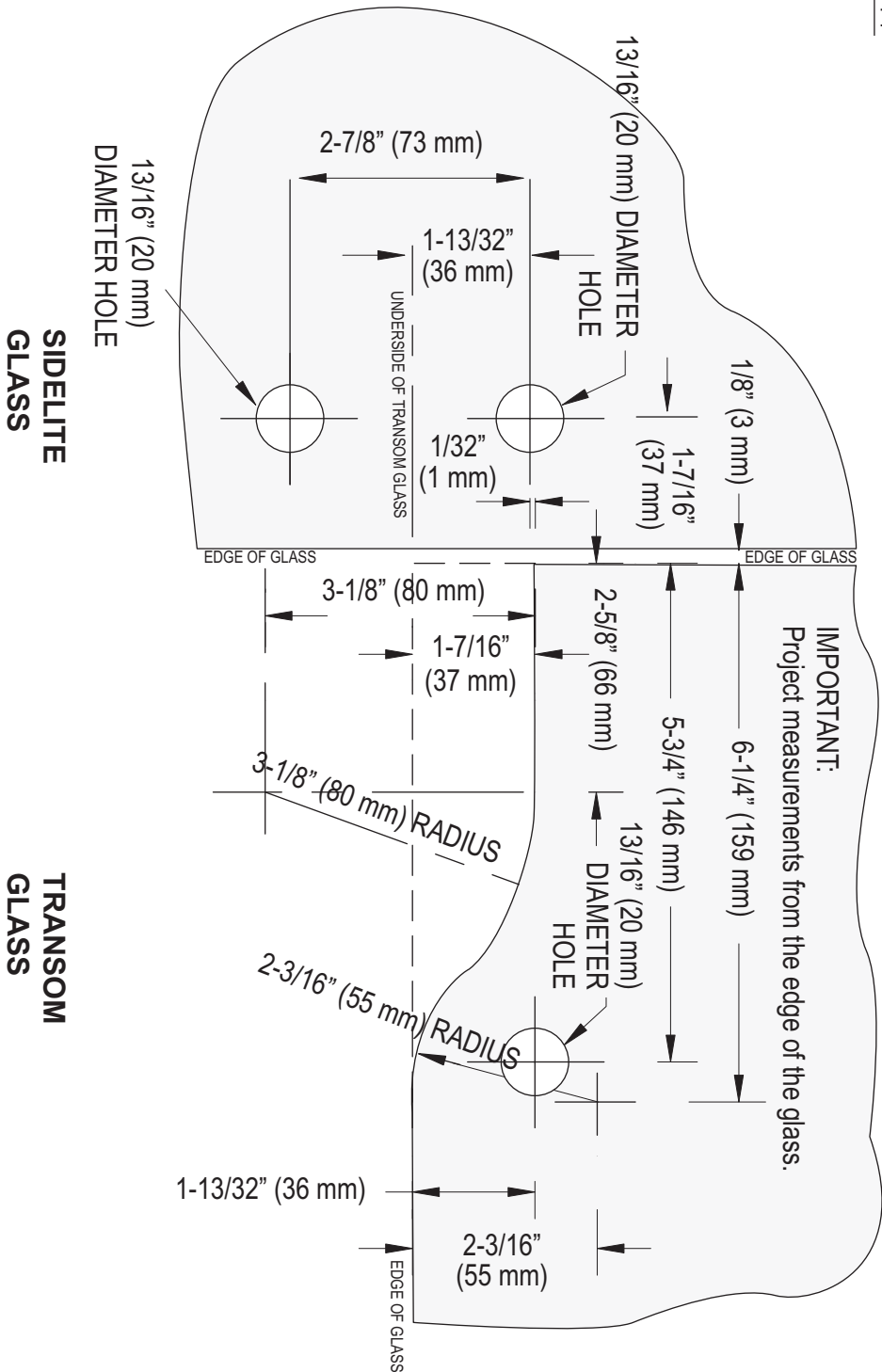
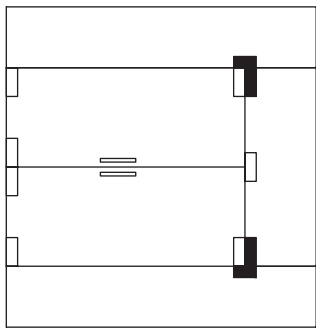
## SEE TEMPLATE ON BACK

Refer to Dimensions Shown to Ensure Accuracy

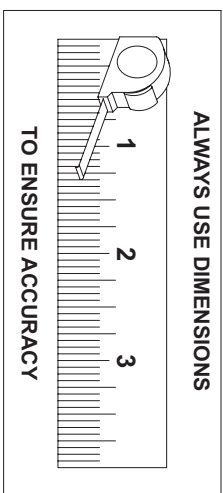
## Use of Gaskets:

**For 3/8" (10 mm) Glass:** Use two gaskets on each side

**For 1/2" (12 mm) Glass:** Use one gasket on each side



**CRL CURVED FACE PLATE  
 TRANSOM/SIDELITE PIVOT PATCH**  
 TYPICAL 2-1/16" (68 mm) SET BACK  
 INCLUDES: BASE FITTING, INSERT, AND COVER PLATES  
**Cat. No. CPF40**



C.R. Laurence Co., Inc. For technical assistance in the United States call toll free (800) 421-6144; from Canada call toll free (877) 421-6144; crlaurence.com Outside the U.S. and Canada call (323) 588-1281. Ask for Tech Sales at Extension 7700. Toll free fax (800) 587-7501.