

## WATER SEALS AND SWEEPS

- Water Seals and Sweeps are Designed to Minimize Water Leakage From Frameless Shower Enclosures
- Snap-On and Tape-On Varieties Offered
- Anti-Fungus and UV Protection in Many Seals



Our offering of Water Seals and Sweeps allows the installer to put the finishing touch on a frameless shower enclosure, and assist in minimizing water leakage. A variety of plastic and vinyl shapes are available for 1/2", 3/8", 5/16", or 1/4" (12, 10, 8, or 6 mm) thick glass. Some profiles are easily snapped-on or have pre-applied clear tape to fit snugly on the glass, while other profiles require the application of our Clear Double-Sided Very High Bond Adhesive Tapes shown on page 528S. Many profiles offer anti-fungus and UV protectors to maximize seal life.

## WATER SEAL AND SWEEP PROFILE SET

- Allows Customers to Visualize Seals for Their Shower
- Great for Showrooms and Portfolios

**NEED HELP IN DETERMINING GAPS OR CLEARANCES FOR CRL SEALS?**



**CAT. NO. PVPS95**  
6" (152 mm) Water Seal and Sweep Profile Set

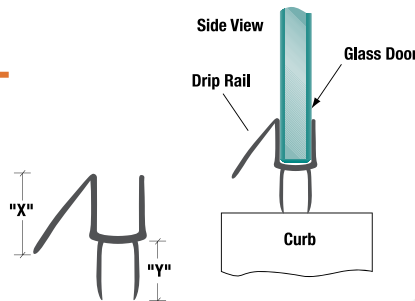
We offer a Water Seal and Sweep Profile Set that consists of 6" (152 mm) pieces of all Wipes and Seals. Use them to show your customers how these profiles will assist in minimizing water escape from their shower.

Our Water Seal and Sweep Profile Set is perfect for your showroom or portfolio so customers can evaluate the various options they will have to seal their new frameless shower enclosure.

## BOTTOM WIPE WITH DRIP RAIL

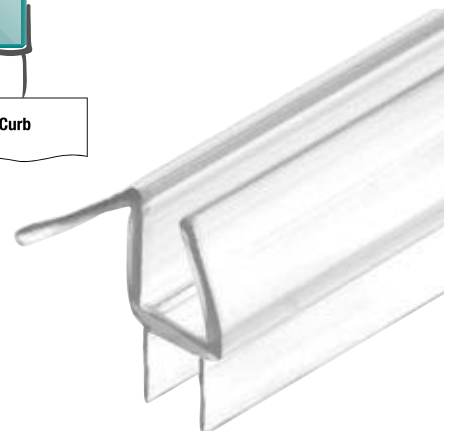
- Our Most Popular Bottom Sweep
- 45 Degree Drip Rail Assists in Deflecting Water Back Into the Enclosure

The clear Bottom Wipe With Drip Rail snaps onto bottom of door. Soft wipes on bottom create a water resistant seal. 45 degree Drip Rail deflects the water back into the shower.



98" (2.49 M) STOCK LENGTHS

| CAT. NO. | GLASS THICKNESS | "X"          | "Y"           | USING SDT980-THRESHOLD ALSO |
|----------|-----------------|--------------|---------------|-----------------------------|
| P914WS   | 1/4" (6 mm)     | 5/8" (16 mm) | 3/8" (10 mm)  | 5/8" (16 mm)                |
| P956WS   | 5/16" (8 mm)    | 5/8" (16 mm) | 3/8" (10 mm)  | 5/8" (16 mm)                |
| P990WS   | 3/8" (10 mm)    | 3/4" (19 mm) | 7/16" (11 mm) | 11/16" (17 mm)              |
| P912WS   | 1/2" (12 mm)    | 3/4" (19 mm) | 7/16" (11 mm) | 11/16" (17 mm)              |

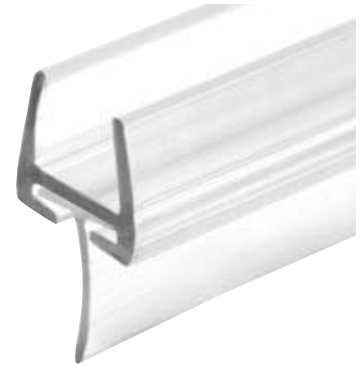
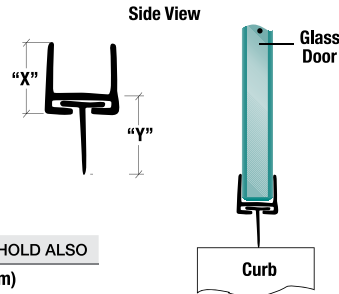


## CLEAR BOTTOM RAIL WITH TRANSLUCENT WIPE

- Includes Insert Slot With Our SDTW 'T' Wipe Included (See Page 526S)



This Clear Bottom Rail is snapped onto door bottom to achieve a seal. Bottom rail includes a length of our Cat. No. SDTW Translucent 'T' Wipe (see page 526S).



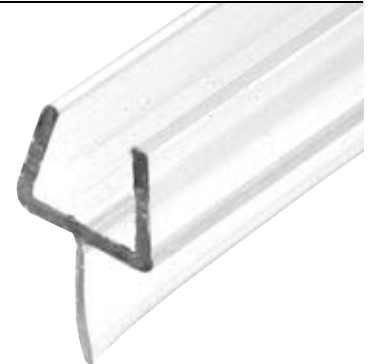
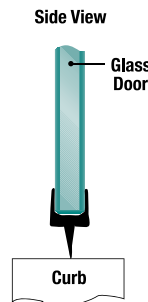
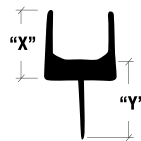
### 98" (2.49 M) STOCK LENGTHS

| CAT. NO. | GLASS THICKNESS | "X"           | "Y"           | USING SDT980-THRESHOLD ALSO |
|----------|-----------------|---------------|---------------|-----------------------------|
| P450BR   | 5/16" (8 mm)    | 3/8" (10 mm)  | 7/16" (11 mm) | 11/16" (17 mm)              |
| P500BR   | 3/8" (10 mm)    | 7/16" (11 mm) | 7/16" (11 mm) | 11/16" (17 mm)              |
| P660BR   | 1/2" (12 mm)    | 1/2" (12 mm)  | 7/16" (11 mm) | 11/16" (17 mm)              |

## ONE-PIECE BOTTOM RAIL WITH CLEAR WIPE

- Single-Piece Bottom Sweep Simply Snaps On

This ultra clear One-Piece Bottom Rail is snapped on the bottom of the door to achieve a seal. The vinyl seal that hangs down from the sweep will firmly direct the water back into the shower enclosure.



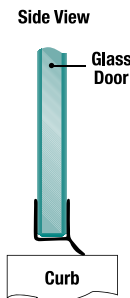
### 98" (2.49 M) STOCK LENGTHS

| CAT. NO. | "X"           | "Y"           | GLASS THICKNESS |
|----------|---------------|---------------|-----------------|
| P501BR   | 7/16" (11 mm) | 7/16" (11 mm) | 3/8" (10 mm)    |
| P661BR   | 1/2" (12 mm)  | 7/16" (11 mm) | 1/2" (12 mm)    |

## DUAL DUROMETER PVC SEAL WITH WIPE

- Versatile Seal Can Be Used as a Bottom Sweep, or Vertically on Bi-Fold Doors

This clear Dual Durometer PVC Seal and Wipe has two uses: Snap it on door bottom and the soft lip acts as a wipe; snap it on an overlapping bi-fold door and the soft lip acts as a seal.



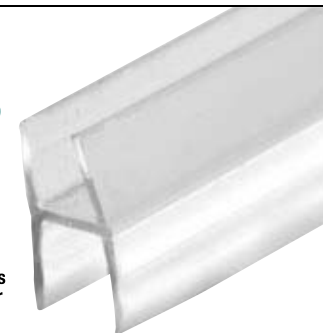
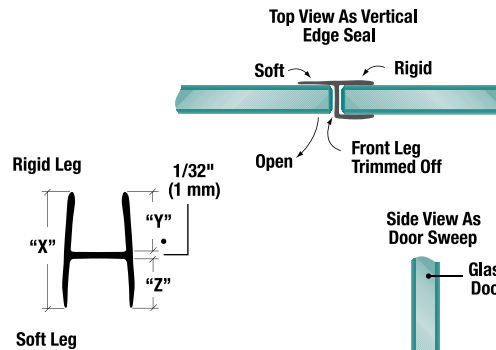
### 98" (2.49 M) STOCK LENGTHS

| CAT. NO. | "X"           | "Y"         | GLASS THICKNESS |
|----------|---------------|-------------|-----------------|
| P14WS    | 3/8" (10 mm)  | 1/4" (6 mm) | 1/4" (6 mm)     |
| P770WS   | 1/2" (12 mm)  | 1/4" (6 mm) | 5/16" (8 mm)    |
| P880WS   | 9/16" (14 mm) | 1/4" (6 mm) | 3/8" (10 mm)    |
| P120WS   | 5/8" (16 mm)  | 1/4" (6 mm) | 1/2" (12 mm)    |

## MULTI-PURPOSE 'H' WIPE

- One of Our Most Versatile Seals

Versatile Multi-Purpose "H" Wipe has two rigid legs and two soft legs. It can be used as a bottom sweep, or as a seal if run vertically up the edge of the door or fixed panel. One or both soft legs can be trimmed to accommodate many installation options.



### 98" (2.49 M) STOCK LENGTHS

| CAT. NO. | GLASS THICKNESS | "X"            | "Y"          | "Z"          | USING SDT980-THRESHOLD ALSO |
|----------|-----------------|----------------|--------------|--------------|-----------------------------|
| P250HW   | 1/4" (6 mm)     | 5/8" (16 mm)   | 5/16" (8 mm) | 1/4" (6 mm)  | 9/16" (14 mm)               |
| P312HW   | 5/16" (8 mm)    | 11/16" (17 mm) | 3/8" (10 mm) | 1/4" (6 mm)  | 9/16" (14 mm)               |
| P375HW   | 3/8" (10 mm)    | 11/16" (17 mm) | 3/8" (10 mm) | 1/4" (6 mm)  | 9/16" (14 mm)               |
| P500HW   | 1/2" (12 mm)    | 15/16" (24 mm) | 1/2" (12 mm) | 3/8" (10 mm) | 9/16" (14 mm)               |

## MULTI-PURPOSE 'H' WIPE WITH "EXTRA SOFT" TWIN LEGS

- Very Soft Twin Legs Seal While Providing Quieter Door Closure

Our Multi-Purpose 'H' Wipe With "Extra Soft" Twin Legs acts as a versatile seal that can be used either on the side or bottom of a door. Because of the very soft dual legs, quieter door closure can be expected, as opposed to closing into harder plastic seals. It is also easy to trim the very soft legs to accommodate your particular application.

USE MONOLITHIC TEMPERED GLASS

98" (2.49 M) STOCK LENGTHS

| CAT. NO. | GLASS THICKNESS | SUGGESTED GAP | USING SDT980-THRESHOLD ALSO |
|----------|-----------------|---------------|-----------------------------|
| P375HWS  | 3/8" (10 mm)    | 5/16" (8 mm)  | 9/16" (14 mm)               |

## POLYCARBONATE 'U' WITH BULB ATTACHMENT

- Can Be Used on Inswing and Outswing Doors

98" (2.49 M) STOCK LENGTHS

| CAT. NO. | GLASS THICKNESS | SUGGESTED GAP |
|----------|-----------------|---------------|
| PCR8     | 5/16" (8 mm)    | 1/4" (6 mm)   |
| PCR10    | 3/8" (10 mm)    |               |
| PCR12    | 1/2" (12 mm)    |               |

This Clear Polycarbonate 'U' With Bulb Attachment is a versatile seal that can be mounted to the edge of a door or panel for a variety of installation configurations. The soft bulb portion of the Seal allows doors to swing both in and out of the enclosure if desired.

## 90 DEGREE STRIKE SIDE SEAL

- Excellent Seal for 90 Degree Enclosures
- Simply Snaps Onto Fixed Panel

This Polycarbonate 'U' Seal with 90 Degree Vinyl Fin has multiple uses like: applying to the sliding door or fixed panel of a Sliding Door System; or as a seal for a fixed panel meeting a door at 90 degrees.

98" (2.49 M) STOCK LENGTHS

| CAT. NO. | GLASS THICKNESS |
|----------|-----------------|
| PCJ8     | 5/16" (8 mm)    |
| PCJ10    | 3/8" (10 mm)    |

## 'U' SEAL WITH LEG AND VINYL INSERT AT 90 DEGREES

- Vinyl Insert Included for Extra Protection

This clear 'U' Seal is snapped onto the strike side fixed panel at a 90 degree angle from the door. Configuration and sturdiness of seal contributes to additional protection. 98" (2.49 m) of clear vinyl insert V600CSGFT (see page 523S) is included with each length.

98" (2.49 M) STOCK LENGTHS

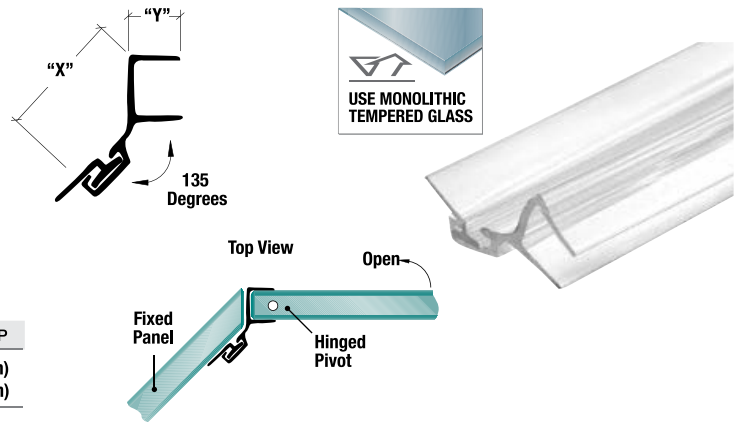
| CAT. NO. | GLASS THICKNESS | SUGGESTED GAP  |
|----------|-----------------|----------------|
| P090SJ   | 3/8" (10 mm)    | 3/16" (4.7 mm) |

## 135 DEGREE DOOR JAMB SEAL

- Popular Neo-Angle Door Jamb
- Vinyl Insert Included

This clear Seal is snapped onto the door on the hinge side to achieve a seal to the fixed panel in 135 degree neo-angle installations. 98" (2.49 m) of clear vinyl insert V600CSGFT (see below) is included with each length.

| 98" (2.49 M) STOCK LENGTHS |                 |                |               |                |
|----------------------------|-----------------|----------------|---------------|----------------|
| CAT. NO.                   | GLASS THICKNESS | "X"            | "Y"           | SUGGESTED GAP  |
| P045DJ                     | 5/16" (8 mm)    | 1" (25 mm)     | 3/8" (10 mm)  | 3/16" (4.7 mm) |
| P135DJ                     | 3/8" (10 mm)    | 1-1/2" (38 mm) | 7/16" (11 mm) | 3/16" (4.7 mm) |

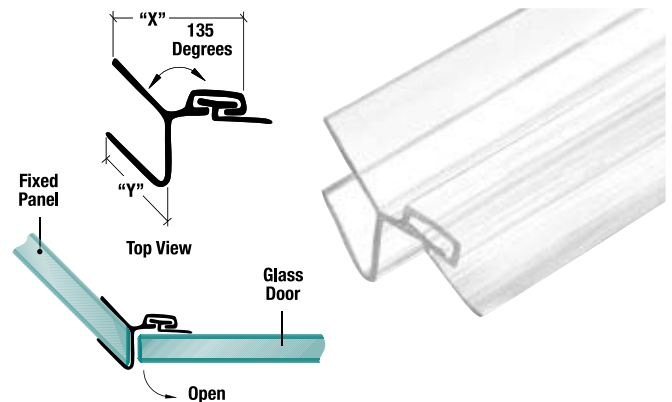


## 135 DEGREE STRIKE JAMB SEAL

- Popular Neo-Angle Strike Jamb for Mitered Fixed Panel
- Vinyl Insert Included

This clear Seal is snapped onto the fixed mitered strike panel in 135 degree neo-angle installations. 98" (2.49 m) of vinyl insert V600CSGFT (see below) is included with each length.

| 98" (2.49 M) STOCK LENGTHS |                 |                |                |                |
|----------------------------|-----------------|----------------|----------------|----------------|
| CAT. NO.                   | GLASS THICKNESS | "X"            | "Y"            | SUGGESTED GAP  |
| P045SJ                     | 5/16" (8 mm)    | 1" (25 mm)     | 5/8" (16 mm)   | 3/16" (4.7 mm) |
| P135SJ                     | 3/8" (10 mm)    | 1-1/2" (38 mm) | 1-1/8" (29 mm) | 3/16" (4.7 mm) |

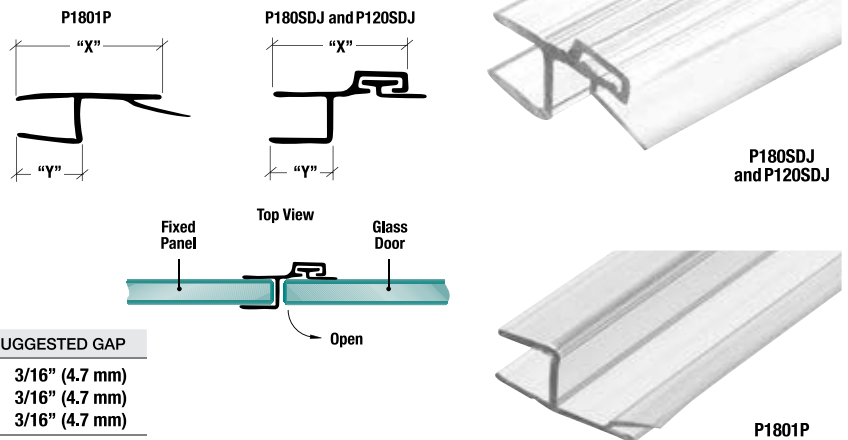


## STRIKE AND DOOR JAMB SEALS FOR 180 DEGREES

- Snaps Onto Glass
- Vinyl Insert for Added Coverage

This Clear 180 Degree Polycarbonate is snapped onto the fixed panel running in line with the door in 180 degree installations. P180SDJ and P120SDJ contain 98" (2.49 m) of vinyl insert V600CSGFT (see below). P1801P is all one piece.

| 98" (2.49 M) STOCK LENGTHS |                 |                |               |                |
|----------------------------|-----------------|----------------|---------------|----------------|
| CAT. NO.                   | GLASS THICKNESS | "X"            | "Y"           | SUGGESTED GAP  |
| P1801P                     | 3/8" (10 mm)    | 1-1/8" (29 mm) | 1/2" (12 mm)  | 3/16" (4.7 mm) |
| P180SDJ                    | 3/8" (10 mm)    | 1-1/8" (29 mm) | 1/2" (12 mm)  | 3/16" (4.7 mm) |
| P120SDJ                    | 1/2" (12 mm)    | 1-1/8" (29 mm) | 9/16" (14 mm) | 3/16" (4.7 mm) |



## CLEAR PVC VINYL 'T' SEAL

- Replacement Vinyl for Shower Door Seals

This Clear PVC Vinyl 'T' Seal is used in these door seals: P090SJ, P180SDJ, P120SDJ, P045DJ, P135DJ, P045SJ, and P135SJ. Sold in increments of 100 feet only. Minimum order is 100 feet (30.5 m).



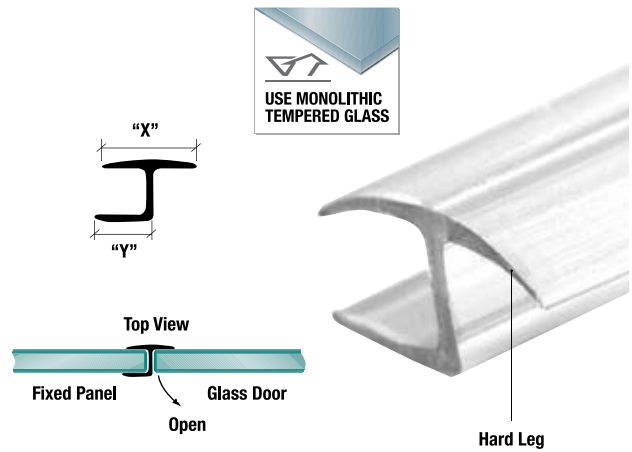


## 'h' JAMB SEAL WITH HARD LEG FOR 180 DEGREES

- Our Most Popular 180 Degree Inline Seal
- Snaps Onto Fixed Panel

This clear 'h' Jamb is for use on 180 degree inline glass-to-glass applications. Snaps onto the fixed panel with a lip on the strike side, or onto the door with the lip on the hinge side. Leaves a clear appearance while serving as a functional seal. Entire 'h' Jamb is made of hard plastic.

| 98" (2.49 M) STOCK LENGTHS |                 |                |              |
|----------------------------|-----------------|----------------|--------------|
| CAT. NO.                   | GLASS THICKNESS | "X"            | "Y"          |
| P140HJ                     | 1/4" (6 mm)     | 11/16" (17 mm) | 3/8" (10 mm) |
| P516HJ                     | 5/16" (8 mm)    | 3/4" (19 mm)   | 3/8" (10 mm) |
| P380HJ                     | 3/8" (10 mm)    | 15/16" (24 mm) | 1/2" (12 mm) |
| P120HJ                     | 1/2" (12 mm)    | 15/16" (24 mm) | 1/2" (12 mm) |



## 'y' JAMB SEAL WITH SOFT LEG FOR 180 DEGREES

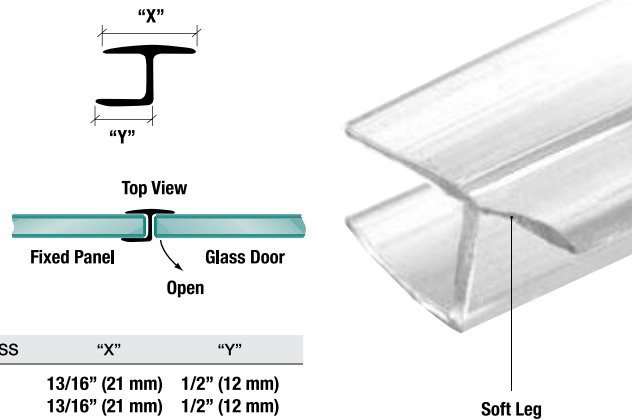
- Soft Vinyl Single Leg for Quieter Door Closure
- Available in 98" or 118" (2.49 or 3 m) Lengths in Most Models

This Seal is used on 180 degree inline glass-to-glass applications. The 'U' portion is rigid, and the single leg is soft to cushion the closing. Snaps onto fixed panel inline with the door. Available in 98" or 118" (2.49 or 3 m) lengths in most models.

| 98" (2.49 M) STOCK LENGTHS |                 |              |                |
|----------------------------|-----------------|--------------|----------------|
| CAT. NO.                   | GLASS THICKNESS | "X"          | "Y"            |
| PCC8                       | 7/16" (11 mm)   | 5/16" (8 mm) | 3/4" (19 mm)   |
| PCC10                      | 1/2" (12 mm)    | 3/8" (10 mm) | 13/16" (21 mm) |
| PCC12                      | 1/2" (12 mm)    | 1/2" (12 mm) | 13/16" (21 mm) |

| 118" (3 M) STOCK LENGTHS |                 |                |              |
|--------------------------|-----------------|----------------|--------------|
| CAT. NO.                 | GLASS THICKNESS | "X"            | "Y"          |
| PCC10118                 | 3/8" (10 mm)    | 13/16" (21 mm) | 1/2" (12 mm) |
| PCC12118                 | 1/2" (12 mm)    | 13/16" (21 mm) | 1/2" (12 mm) |

Must ship common carrier.

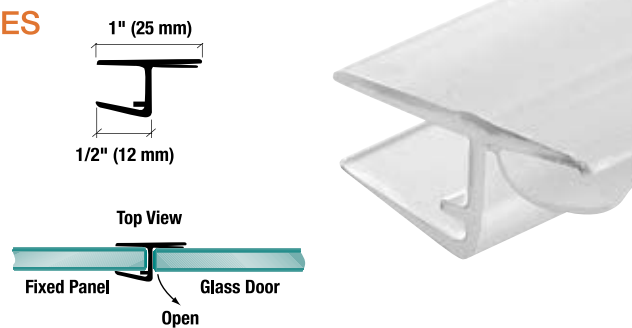


## 'h' JAMB SEAL WITH CUSHION FIN FOR 180 DEGREES

- Soft Vinyl Cushions Door Closure

This clear 'h' Jamb is for use on inline glass-to-glass installations. Snaps onto the fixed panel with the lip on the strike side. Soft vinyl helps cushion door closure and reduce noise.

| 98" (2.49 M) STOCK LENGTHS |                 |
|----------------------------|-----------------|
| CAT. NO.                   | GLASS THICKNESS |
| PCK8                       | 5/16" (8 mm)    |

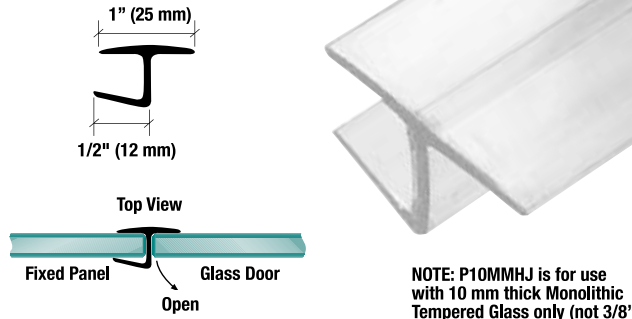


## 'h' JAMB SEAL WITH HARD LEG FOR 180 DEGREES

- For Use With 10 mm Thick Glass Only (Not 3/8")
- Snaps Onto Fixed Panel

This clear 'h' Jamb is for use on 180 degree inline glass-to-glass applications. Snap onto the fixed panel with the lip on the strike side, or onto the door with the lip on the hinge side. Leaves a clear appearance while serving as a functional seal. Entire 'h' Jamb is made of hard plastic.

| 98" (2.49 M) STOCK LENGTHS |                       |
|----------------------------|-----------------------|
| CAT. NO.                   | GLASS THICKNESS       |
| P10MMHJ                    | 10 mm Only - Not 3/8" |

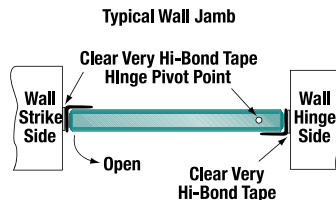
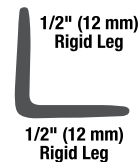
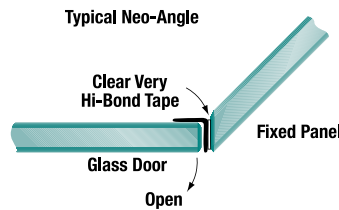


NOTE: P10MMHJ is for use with 10 mm thick Monolithic Tempered Glass only (not 3/8").

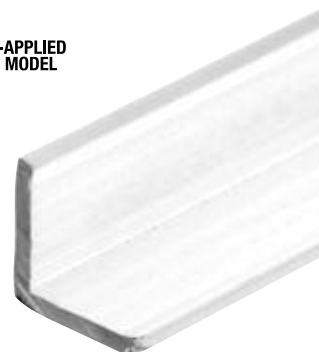
## MULTI-PURPOSE CLEAR 'L' ANGLE JAMB SEAL

- Available With or Without Pre-Applied Clear Very Hi-Bond Tape
- Used for Both Hinge and Strike Jamb
- Also Used in 135 Degree Neo-Angle Applications

This clear 'L' Angle Jamb is used for both hinge and strike jambs. It can be adhered to the wall or a fixed panel using our Pre-Applied Tape Model, or by applying Clear Very Hi-Bond Tape (see page 528S). It is also commonly used as a jamb for neo-angle installations when a clean look is most desired.



PRE-APPLIED TAPE MODEL



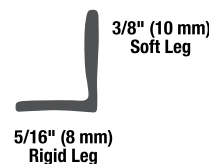
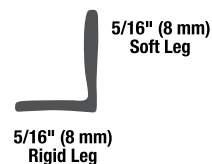
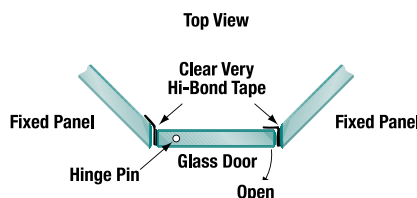
98" (2.49 M) STOCK LENGTHS

| WITHOUT TAPE CAT. NO. | WITH PRE-APPLIED TAPE CAT. NO. | MAXIMUM GAP  |
|-----------------------|--------------------------------|--------------|
| P12LJ                 | P12LJT2                        | 1/2" (12 mm) |

## TRANSLUCENT VINYL 'L' SEALS

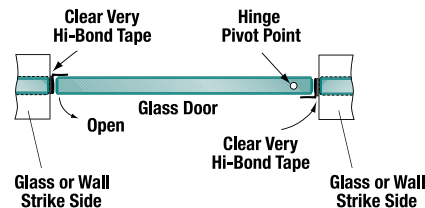
- Available With or Without Pre-Applied Clear Very Hi-Bond Tape
- Multiple Applications

Translucent 'L' Seals are offered in two sizes and rigidity. They should be used on outswing doors only, and can be used on both hinge and strike side jambs. Cat. No. SDTNL has a slightly softer and shorter sealing leg than Cat. No. SDTL. Use Clear Very Hi-Bond Tape (see page 528S) to apply the rigid leg of the 'L' Seal to the surface, or simply order our Pre-Applied Tape Model. The soft leg of the 'L' will act as a seal, allowing for a quiet and forgiving door closure.



CAT. NOS. SDTNL AND SDTNLT2

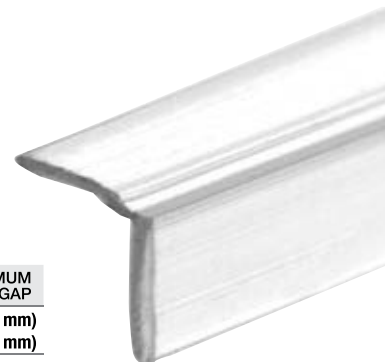
CAT. NOS. SDTL AND SDTLT2



98" (2.49 M) STOCK LENGTHS

| WITHOUT TAPE CAT. NO. | WITH PRE-APPLIED TAPE CAT. NO. | MAXIMUM GAP  |
|-----------------------|--------------------------------|--------------|
| SDTNL                 | SDTNLT2                        | 5/16" (8 mm) |
| SDTL                  | SDTLT2                         | 3/8" (10 mm) |

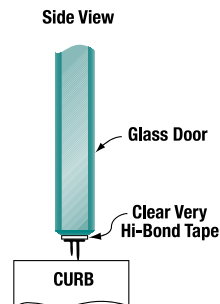
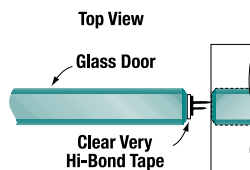
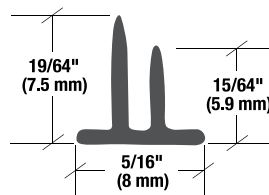
Must be ordered in increments of 5.



## TRANSLUCENT VINYL "DOUBLE FIN" SEAL

- Available With or Without Pre-Applied Clear Very Hi-Bond Tape
- Different Length Fins Allow Versatility

Translucent "Double Fin" Seal can be used for inswing or outswing doors. The two different size fins allow the installer a choice of seal lengths. Use as is, or simply trim the fins as necessary. Use our Pre-Applied Tape Model, or adhere 5/16" (8 mm) rigid base to glass edge or wall using our Clear Very Hi-Bond Tape (see page 528S).



98" (2.49 M) STOCK LENGTHS

| WITHOUT TAPE CAT. NO. | WITH PRE-APPLIED TAPE CAT. NO. | MAXIMUM GAP  |
|-----------------------|--------------------------------|--------------|
| SDTDF                 | SDTDFT2                        | 5/16" (8 mm) |

Must be ordered in increments of 5.



# CRL SHOWER WIPES AND SEALS

## TRANSLUCENT VINYL EDGE 'T' WIPE

- Available With or Without Pre-Applied Clear Very Hi-Bond Tape



| 98" (2.49 M) STOCK LENGTHS |                                |               |
|----------------------------|--------------------------------|---------------|
| WITHOUT TAPE CAT. NO.      | WITH PRE-APPLIED TAPE CAT. NO. | MAXIMUM GAP   |
| <b>SDTW</b>                | <b>SDTWT2</b>                  | 7/16" (11 mm) |

Must be ordered in increments of 5.

## TRANSLUCENT VINYL EDGE 'V' SEAL

- Seals Gaps From 3/16" to 1/4" (5 to 6 mm)
- Available With or Without Pre-Applied Clear Very Hi-Bond Tape

Translucent 'V' Seals are used only on doors swinging one way to seal gaps from 3/16" (5 mm) to 1/4" (6 mm). Use our Pre-Applied Tape Model, or adhere 5/16" (8 mm) rigid leg to the glass edge or wall using our Clear Very Hi-Bond Tape (see page 528S). Door closes into soft vinyl leg.

| 98" (2.49 M) STOCK LENGTHS |                                |             |
|----------------------------|--------------------------------|-------------|
| WITHOUT TAPE CAT. NO.      | WITH PRE-APPLIED TAPE CAT. NO. | MAXIMUM GAP |
| <b>SDTS</b>                | <b>SDTST2</b>                  | 1/4" (6 mm) |

Must be ordered in increments of 5.

## TRANSLUCENT VINYL BULB SEALS

- Bulb Compresses
- Available With or Without Pre-Applied Clear Very Hi-Bond Tape

Translucent Vinyl Bulb Seals can be used on inswing or outswing doors. Cat. No. SDLB closes gaps from 3/16" (5 mm) to 3/8" (10 mm). Cat. No. SDTB closes gaps from 5/32" (4 mm) to 7/32" (5.6 mm). Cat. No. SDTJ closes gaps from 1/8" (3 mm) to 5/32" (4 mm). Use our Pre-Applied Tape Model, or adhere rigid flat base to glass edge or wall using our Clear Very Hi-Bond Tape (see page 528S).

| 98" (2.49 M) STOCK LENGTHS |                                |                |
|----------------------------|--------------------------------|----------------|
| WITHOUT TAPE CAT. NO.      | WITH PRE-APPLIED TAPE CAT. NO. | MAXIMUM GAP    |
| <b>SDTJ</b>                | <b>SDTJT2</b>                  | 5/32" (4 mm)   |
| <b>SDTB</b>                | <b>SDTBT2</b>                  | 7/32" (5.6 mm) |
| <b>SDLB</b>                | ---                            | 3/8" (10 mm)   |

Must be ordered in increments of 5.

## TRANSLUCENT SILICONE BULB SEAL

- Can Be Used on Inswing and Outswing Doors
- Adheres With Silicone, Not Tape

Translucent Silicone Bulb Seal can be used on inswing or outswing doors to close gaps from 1/16" (1.6 mm) to 3/16" (5 mm). **NOTE:** Adhere flat base to glass edge or wall using RTV408C Clear Silicone only, not tape.

| 98" (2.49 M) STOCK LENGTHS |  |              |
|----------------------------|--|--------------|
| CAT. NO.                   |  | MAXIMUM GAP  |
| <b>S1LB</b>                |  | 3/16" (5 mm) |

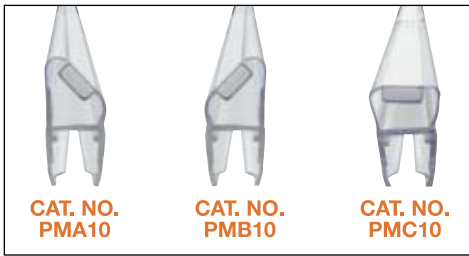
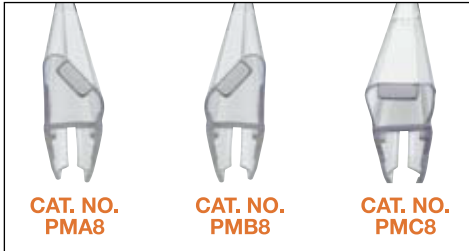
Must be ordered in increments of 5.

# MAGNETIC PROFILES

- Made of Co-Extruded Plastic With Soft Magnetic Receiver
- Provide Positive Door Closure
- Mix and Match Configurations to Achieve Desired Result
- For 1/2", 3/8", 5/16", or 1/4" (12, 10, 8, or 6 mm) Thick Glass



Top View



98" (2.49 M) STOCK LENGTHS

| CAT. NO. | GLASS THICKNESS            |
|----------|----------------------------|
| PMA8     | 5/16" or 1/4" (8 or 6 mm)  |
| PMB8     | 5/16" or 1/4" (8 or 6 mm)  |
| PMC8     | 5/16" or 1/4" (8 or 6 mm)  |
| PMA10    | 1/2" or 3/8" (12 or 10 mm) |
| PMB10    | 1/2" or 3/8" (12 or 10 mm) |
| PMC10    | 1/2" or 3/8" (12 or 10 mm) |

FOR 5/16" OR 1/4" (8 OR 6 MM) THICK GLASS

| ANGLE       | PROFILES REQUIRED | CONFIGURATION                             |
|-------------|-------------------|---|
| 180 Degrees | PMA8 + PMA8       | Door swings in one direction only         |
| 180 Degrees | PMC8 + PMC8       | Door swings in both directions            |
| 135 Degrees | PMA8 + PMC8       | Door swings out only                      |
| 90 Degrees  | PMA8 + PMB8       | Reverse for polarity-door swings out only |

FOR 1/2" OR 3/8" (12 OR 10 MM) THICK GLASS

| ANGLE       | PROFILES REQUIRED | CONFIGURATION                             |
|-------------|-------------------|---|
| 180 Degrees | PMA10 + PMA10     | Door swings in one direction only         |
| 180 Degrees | PMC10 + PMC10     | Door swings in both directions            |
| 135 Degrees | PMA10 + PMC10     | Door swings out only                      |
| 90 Degrees  | PMA10 + PMB10     | Reverse for polarity-door swings out only |

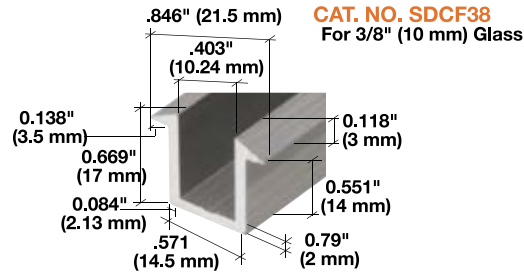




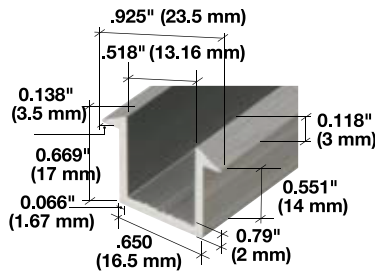
## U-CHANNEL FOR RECESSED APPLICATIONS

- Ideal for Recessing Glass and Creating the “All-Glass” Appearance
- Top of Channel Angled to Assist With Water Deflection
- Top Lip Helps Cover Edge of Tile

This U-Channel is the ideal selection for recessing into the floor, wall, or ceiling to provide the frameless “all-glass” appearance. The top lip of the U-Channel is angled to deflect the water away and conceal the edge of the title. Glass is wet glazed into the Channel. 98" (2.49 m) stock lengths are available for 3/8" or 1/2" (10 or 12 mm) tempered glass.



**CAT. NO. SDCF38**  
For 3/8" (10 mm) Glass



**CAT. NO. SDCF12**  
For 1/2" (12 mm) Glass



### SPECIFICATIONS:

Material: Extruded Aluminum

98" (2.49 M) STOCK LENGTHS

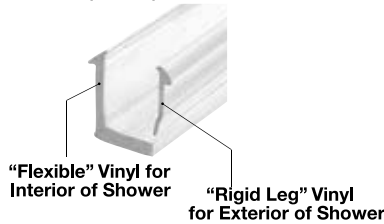
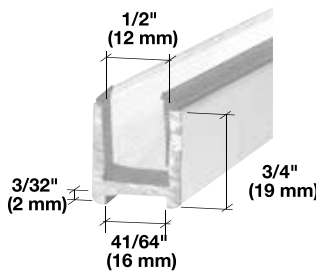
| CAT. NO.        | FINISH         | GLASS THICKNESS |
|-----------------|----------------|-----------------|
| <b>SDCF38BA</b> | Brite Anodized | 3/8" (10 mm)    |
| <b>SDCF38BN</b> | Brushed Nickel | 3/8" (10 mm)    |
| <b>SDCF12BA</b> | Brite Anodized | 1/2" (12 mm)    |
| <b>SDCF12BN</b> | Brushed Nickel | 1/2" (12 mm)    |

## DRY GLAZE U-CHANNEL WITH VINYL

- Clear Myls Secure Glass in Channel and Eliminate the Need for Messy Silicone
- Recess in Bottom Channel Hides Caulk Line

Dry Glaze U-Channel eliminates the need for messy silicone between the glass and metal, dramatically reducing installation time. If the glass is ever scratched or damaged it can be removed without the need to cut out the sealant. The extruded aluminum channel is wrapped in a protective poly sleeve with two pieces of clear vinyl. The “Flexible” Vinyl goes on the interior of the shower, while the “Rigid Leg” Vinyl “rolls in” on the exterior side. Matching finish End Caps adhere to channel ends using a dab of silicone, and must be ordered separately.

**NOTE:** Not designed for “Lift and Drop” applications.



**U-Channel End Cap**  
(Sold Separately)

### SPECIFICATIONS:

Material: Extruded Aluminum, Rigid Clear Vinyl, and Flexible Clear Vinyl

Includes: 98" (2.49 m) U-Channel, Rigid Vinyl, Flexible Vinyl



98" (2.49 M) DRY GLAZED U-CHANNEL WITH CLEAR VINYL

| CAT. NO.        | FINISH              | GLASS THICKNESS |
|-----------------|---------------------|-----------------|
| <b>DUC38BA</b>  | Brite Anodized      | 3/8" (10 mm)    |
| <b>DUC38BGA</b> | Brite Gold Anodized | 3/8" (10 mm)    |
| <b>DUC38BN</b>  | Brushed Nickel      | 3/8" (10 mm)    |
| <b>DUC38ORB</b> | Oil Rubbed Bronze   | 3/8" (10 mm)    |
| <b>DUC516BA</b> | Brite Anodized      | 5/16" (8 mm)    |
| <b>DUC516BN</b> | Brushed Nickel      | 5/16" (8 mm)    |

REPLACEMENT 98" (2.49 M) VINYL

| CAT. NO.       | STYLE    | GLASS THICKNESS |
|----------------|----------|-----------------|
| <b>FV4DUC</b>  | Flexible | 3/8" (10 mm)    |
| <b>RV4DUC</b>  | Rigid    | 3/8" (10 mm)    |
| <b>FV8DUC</b>  | Flexible | 5/16" (8 mm)    |
| <b>RV8DUC*</b> | Rigid    | 5/16" (8 mm)    |

DRY GLAZED U-CHANNEL END CAPS

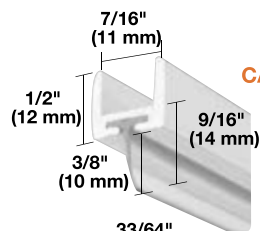
| CAT. NO.          | FINISH                               |
|-------------------|--------------------------------------|
| <b>SDCEC12CH</b>  | Polished Chrome (Brite Anodized)     |
| <b>SDCEC12BR</b>  | Polished Brass (Brite Gold Anodized) |
| <b>SDCEC12BN</b>  | Brushed Nickel                       |
| <b>SDCEC12ORB</b> | Oil Rubbed Bronze                    |

Must be ordered in increments of 10.

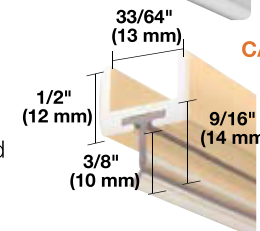
## SHOWER DOOR U-CHANNEL WITH WIPE FOR DOOR BOTTOM

- Door Mounted Aluminum Channel With SDTW Clear Vinyl Wipe
- Creates Even Sight Line When the Fixed Panel Glazed With Deep U-Channel

This door bottom mounted U-Channel With SDTW Wipe has a 1/2" (12 mm) profile, which makes an even sight line when used next to a fixed panel glazed with Deep U-Channel on the bottom.



**CAT. NO. SDW38**  
For 3/8" (10 mm) Glass



**CAT. NO. SDW12**  
For 1/2" (12 mm) Glass

### SPECIFICATIONS:

Material: Extruded Aluminum; SDTW Clear Vinyl

98" (2.49 M) STOCK LENGTHS

| CAT. NO.        | FINISH              | GLASS THICKNESS |
|-----------------|---------------------|-----------------|
| <b>SDW38BA</b>  | Brite Anodized      | 3/8" (10 mm)    |
| <b>SDW38BGA</b> | Brite Gold Anodized | 3/8" (10 mm)    |
| <b>SDW38BN</b>  | Brushed Nickel      | 3/8" (10 mm)    |
| <b>SDW38SC</b>  | Satin Anodized      | 3/8" (10 mm)    |
| <b>SDW12BA</b>  | Brite Anodized      | 1/2" (12 mm)    |
| <b>SDW12BGA</b> | Brite Gold Anodized | 1/2" (12 mm)    |
| <b>SDW12BN</b>  | Brushed Nickel      | 1/2" (12 mm)    |

